

CAUTION

Please do not return this item to the store where it was purchased

We appreciate your selection of our product. You can have confidence in this product that incorporates quality components. Please do not return this item to where it was purchased,

Quality statement

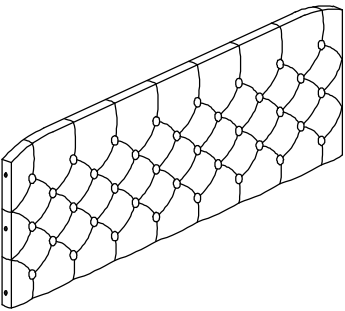
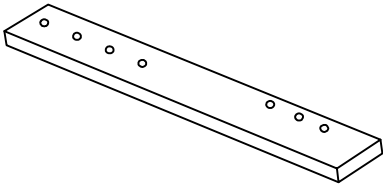
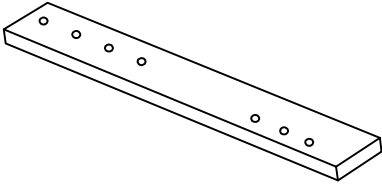
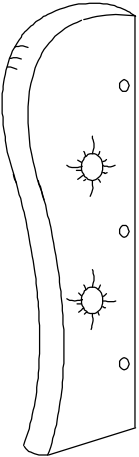
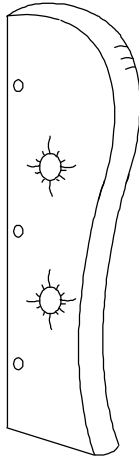
appreciates your selection of this product, we know you had many other choices. Please pay attention that proper care and cleaning at home will extend the life of your purchase. Following these important and helpful tips will enhance your furniture as it ages.

Upholstered furniture care instructions

- Vacuum your upholstered furniture regularly. Small dust particles are very abrasive and can wear furniture prematurely.
- Bolt spills immediately to prevent staining. If necessary, gently wipe away the spill using a soft, clean cloth dampend with lukewarm water. Allow to dry and brush lightly.
- Never use harsh chemicals or solvents on your upholstered furniture as this may damage the finish.
- Never use water to clean your furniture as it may cause damage to the finish.
- If you choose to use a professional product, pretest the fabric in an inconspicuous area for any signs of discoloration or shrinking.
- Marks and stains from pens, crayons and ink markers are difficult to remove. In the event that your furniture becomes permanently stained, we recommend that you consult a professional expert.

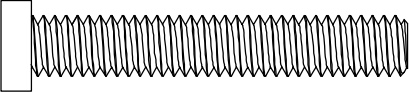
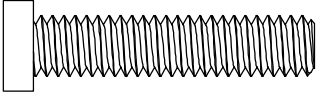

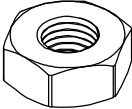
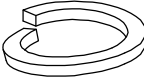
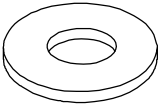
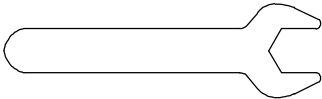

PARTS LIST

PLEASE ALWAYS CHECK EVERY PART BEFORE ASSEMBLY

A	1PCE	L	1PCE	R	1PCE
Headboard Panel		Left Headboard leg		Right Headboard leg	
					
J	1PCE		K	1PCE	
Left Wing Back			Right Wing Back		
					

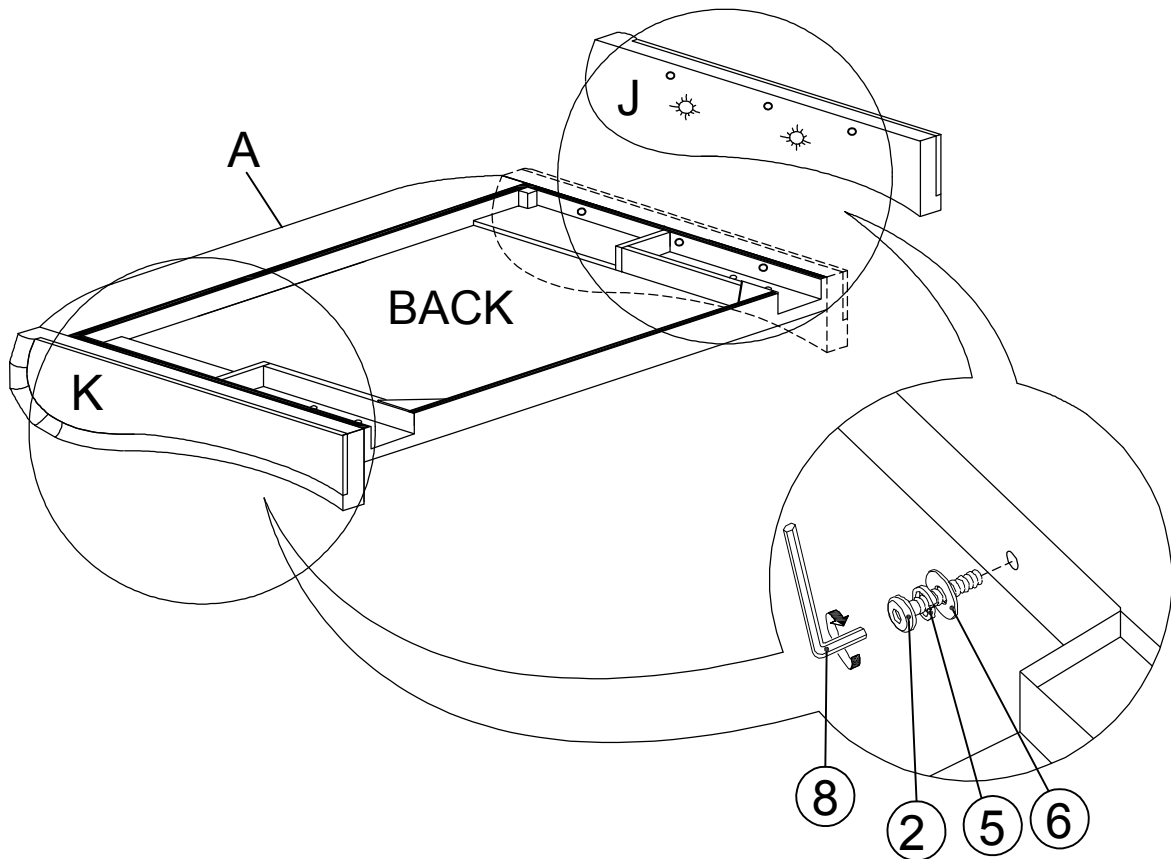
HARDWARE LIST

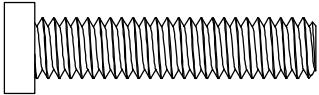
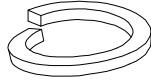
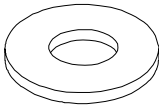

PLEASE ALWAYS CHECK EVERY PART BEFORE ASSEMBLY

①	4PCS	②	6PCS	③	4PCS
Allen Bolts Ø5/16" x 2"		Allen Bolts Ø5/16" x1- 1/2"		Allen Bolts Ø5/16" x1- 3/4"	
					
④	4PCS	⑤	14PCS	⑥	18PCS
Nuts		Spring Washers		Flat Washers	
					
⑦	1PCE		⑧	1PCE	
Wrench			Allen Wrench		
					

Step 1:

Assemble the Wing Backs (J) & (K) and the Headboard Panel (A).



②	6PCS	⑤	6PCS
Allen Bolts Ø 5/16" x 1 1/2"		Spring Washers Ø 5/16" x 9/16"	
			
⑥	6PCS	⑧	1PCE
Flat Washers Ø 5/16" x 3/4"		Allen Wrench M5 x 2 1/2"	
			

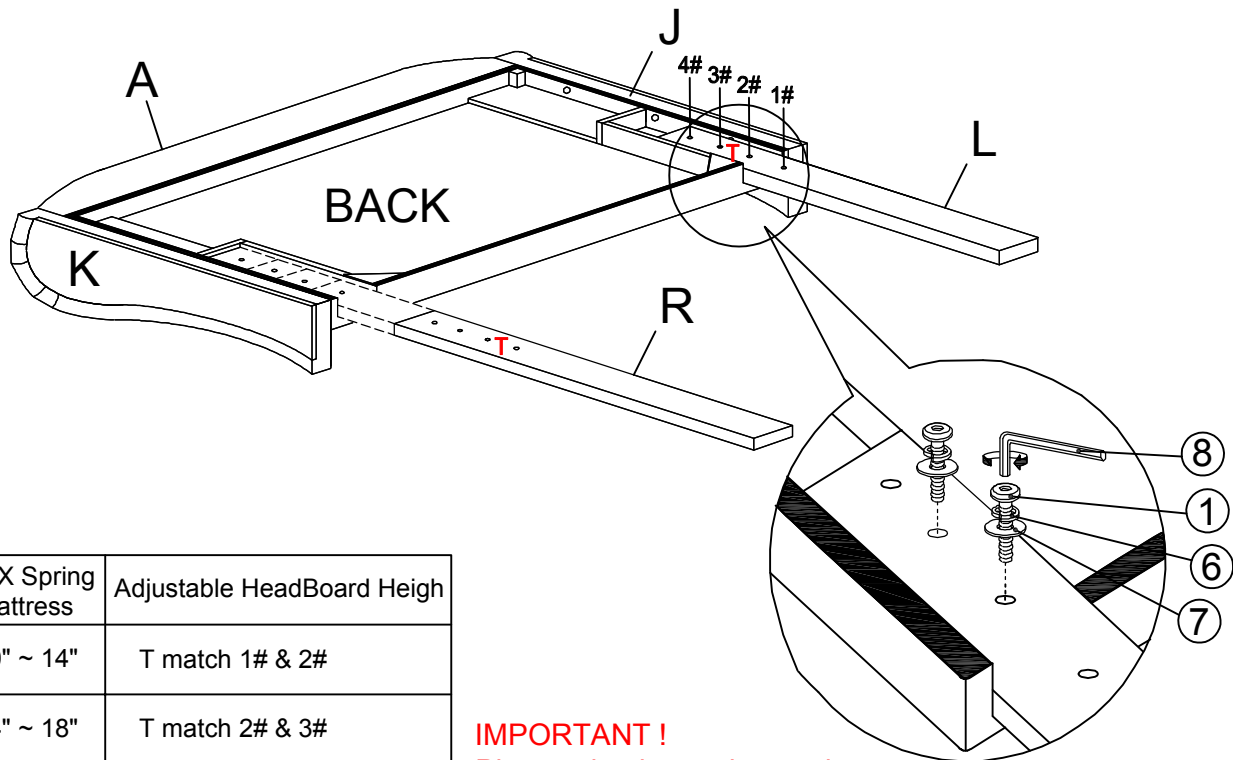
IMPORTANT !!

Tips:

****Please also check the thickness of your mattress and box spring before your assembly.**

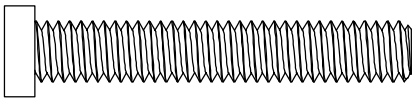
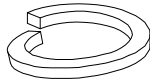
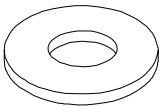

Step 2:

Assemble the Headboard Panel (A) and the Legs (R & L).
(DO NOT FULLY TIGHTEN BOLTS AT THIS STAGE.)



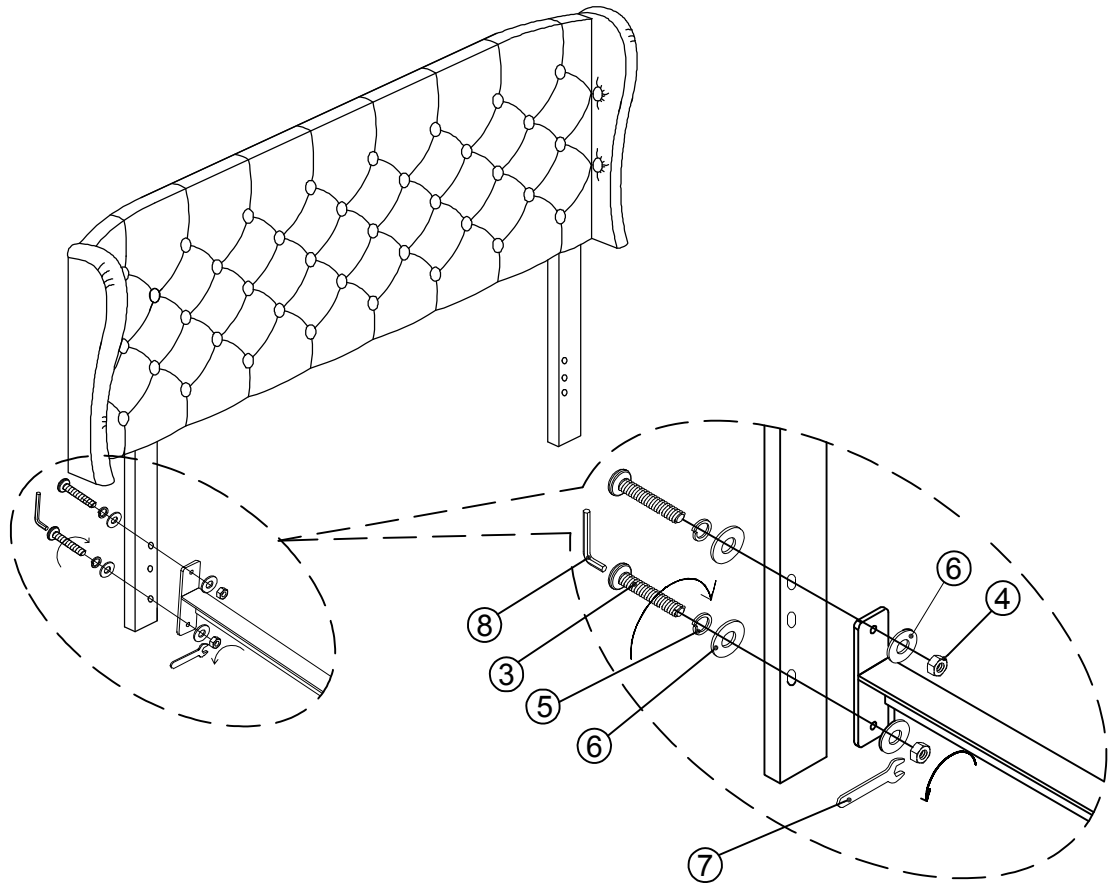
BOX Spring +Mattress	Adjustable HeadBoard Heigh
10" ~ 14"	T match 1# & 2#
14" ~ 18"	T match 2# & 3#
18" ~ 22"	T match 3# & 4#

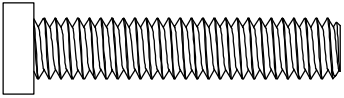
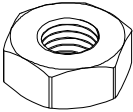
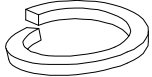
IMPORTANT !
Please check your box spring and / or mattress thickness before your assembly.

①	4PCS	⑤	4PCS
Allen Bolts Ø 5/16" x 2"		Spring Washers Ø 5/16" x 9/16"	
			
⑥	4PCS	⑧	1PCE
Flat Washers Ø 5/16" x 3/4"		Allen Wrench M5 x 2 1/2"	
			

Step 3:

Assemble the metal bed frame (not included) to headboard legs (L/R).



③	4PCS	④	4PCS	⑤	4PCS
Allen Bolts Ø5/16" x1- 3/4"		Nuts		Spring Washers	
					
⑥	8PCS	⑦	1PCE	⑧	1PCE
Flat Washers		Wrench		Allen Wrench	
