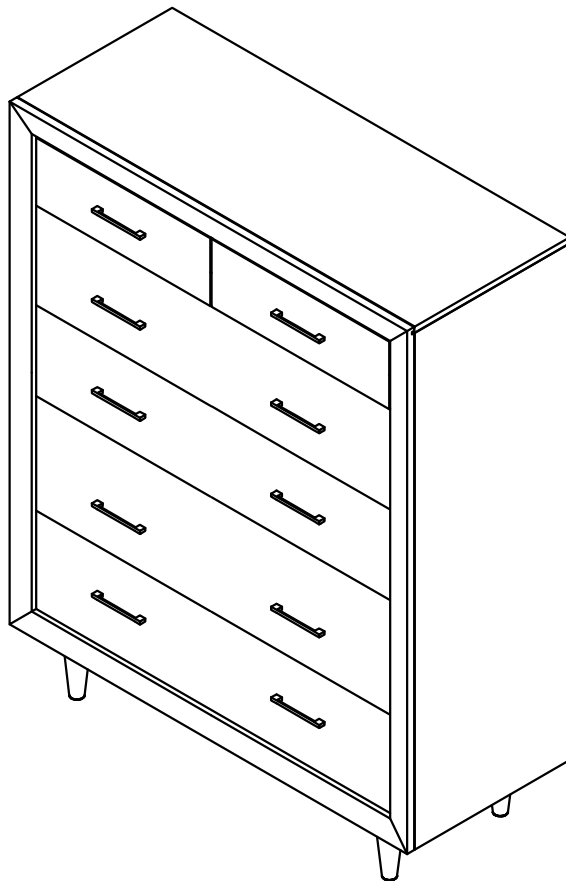


## DRAWER CHEST

# ASSEMBLY INSTRUCTIONS



**IMPORTANT SAFETY INSTRUCTIONS:**

- Read all instructions carefully before unpacking assembly parts. Sharp, exposed staple tips can cause injury. For your protection, please remove any exposed staples used in packing.
- For your safety, assembly by two or more adults is recommended.
- Use only vendor supplied hardware to assemble. Using unauthorized hardware could jeopardize the structural integrity of the item.
- Keep instructions for future use.
- Intended for residential use only.
- Keep small parts and hardware out of the reach of children.

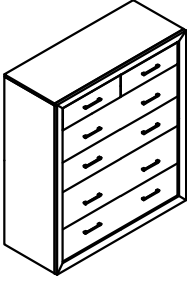
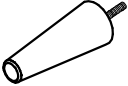
**PRE-ASSEMBLY INSTRUCTIONS:**

- Remove all parts and hardware from the box and place them on a carpeted or scratch-free work surface.
- To avoid accidentally discarding small parts or hardware, please do not dispose of any contents until assembly is complete.
- Prior to starting assembly, use the parts and hardware lists to identify and separate each of the pieces included.
- Do not over-tighten screws or bolts.

**TABLE OF CONTENTS**

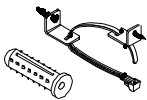
<b><u>Parts List &amp; Hardware List</u></b>	<b><u>Page 3</u></b>
<b><u>Assembly Instructions</u></b>	<b><u>Page 4</u></b>
<b><u>Care &amp; Maintenance &amp; Warnings</u></b>	<b><u>Page 5</u></b>

## PARTS LIST

PART#	PICTURE	PART DISCRIPTION	QTY
A		DRAWER CHEST	1
B		Legs	4

Thank you for your purchase. Be sure to check all packing material carefully for small parts which may have come loose inside the carton during shipment. Identify and count all parts and compare with the parts and hardware lists.

## HARDWARE LIST

PART#	PICTURE	PART DISCRIPTION	QTY
1		Furniture tipping restraint	1

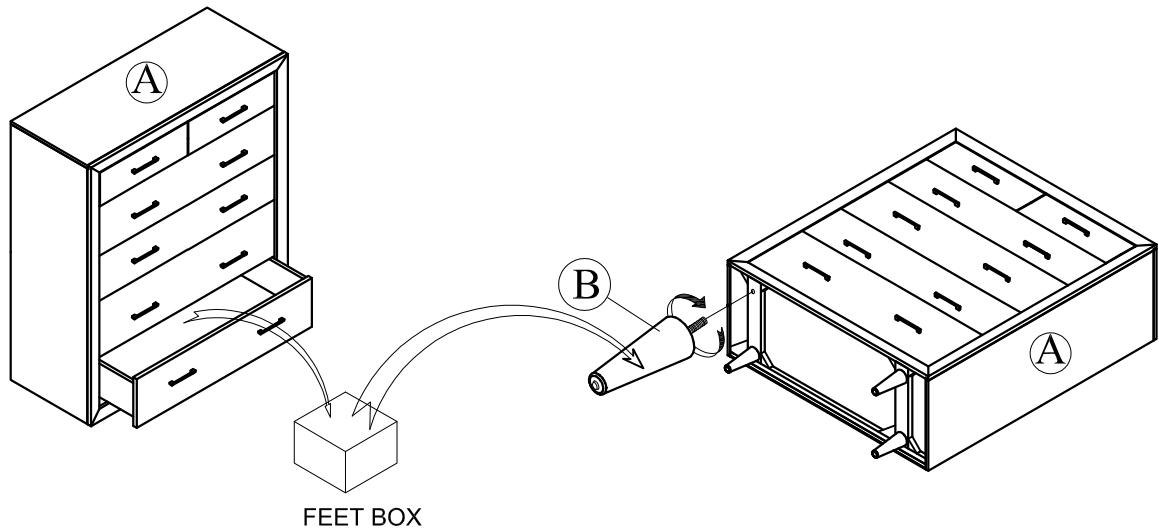
**Phillips screwdriver also needed for assembly (not included).**

Thank you for your purchase. Be sure to check all packing material carefully for small parts which may have come loose inside the carton during shipment. Identify and count all parts and compare with the parts and hardware lists.

## STEP 1

### Attach Legs

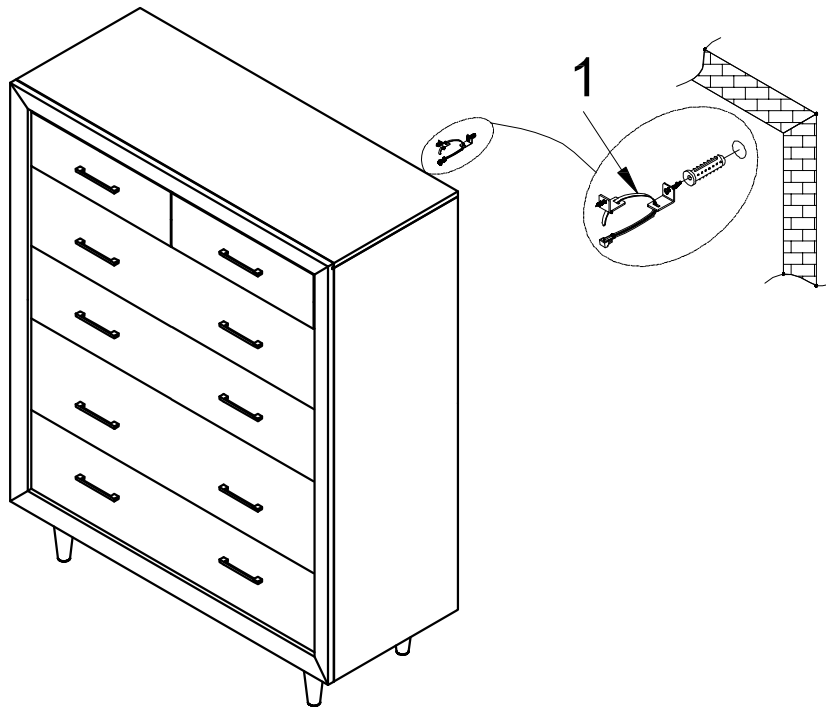
1. Screw in leg (B) to the bottom of chest (A).
2. Repeat for all 4 Legs (B).



## STEP 2

### Remark:

1. Anti-Tipping Hardware attached to the back stretcher .



## CARE & MAINTENANCE

### Wood Care Tips

- Wood color can fade and/ or sun bleaching can occur when exposed to direct sunlight over a long period of time.
- Avoid placing your furniture in direct sunlight.
- Rearrange accessories over time to prevent spot bleaching.
- For daily maintenance, use clean and soft rags or cloths to wipe off dust on the surface along the grains.
- Never use damp rags or anything with a hard surface to rub onto the furniture.
- Always keep surfaces clear of any acid or chemical substances.
- To avoid damage refrain from stacking large and/or heavy objects on top of the furniture.
- Avoid cleaners which use chemical products. Many of these are harsh and not safe for use on upholstery.



## WARNING



- Do not use this product unless all screws and bolts are securely tightened.
- Check that all screws and bolts are secure every three months or as needed
- Dispose of packing material properly. Do not use plastic cover as head covering as it may cause suffocation.
- Do not use this product as a stepladder.
- Use this product for intended purpose only.
- Intended for residential use only.

# WARNING

**Serious or fatal crushing injuries can occur from furniture tipover.  
To help prevent tipover:**



- Install tipover restraint provided.
- Place heaviest items in the lower drawers.
- Unless specifically designed to accommodate, do not set TVs or other heavy objects on top of this product.
- Never allow children to climb or hang on drawers, doors or shelves.
- Never open more than one drawer at a time.
- Do not defeat or remove the drawer interlock system.

**Use of tipover restraints may only reduce, but not eliminate, the risk of tipover.**