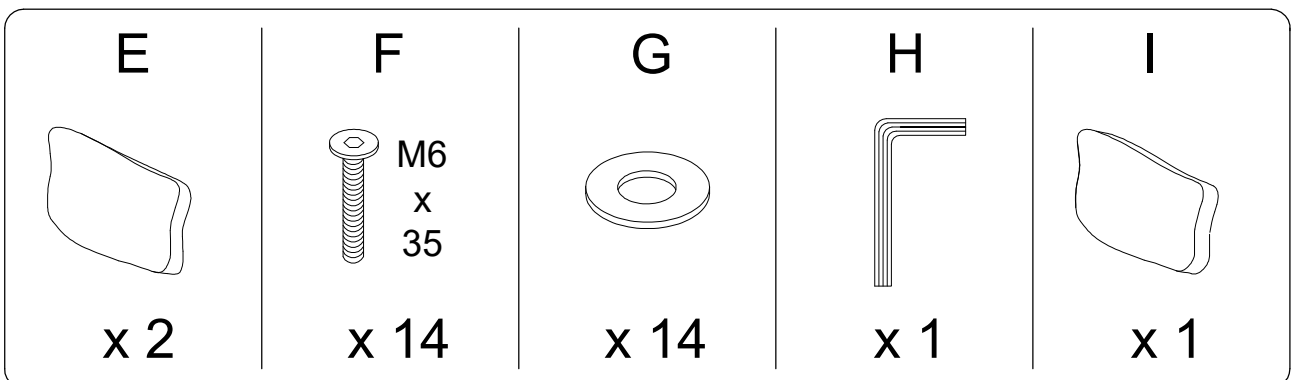
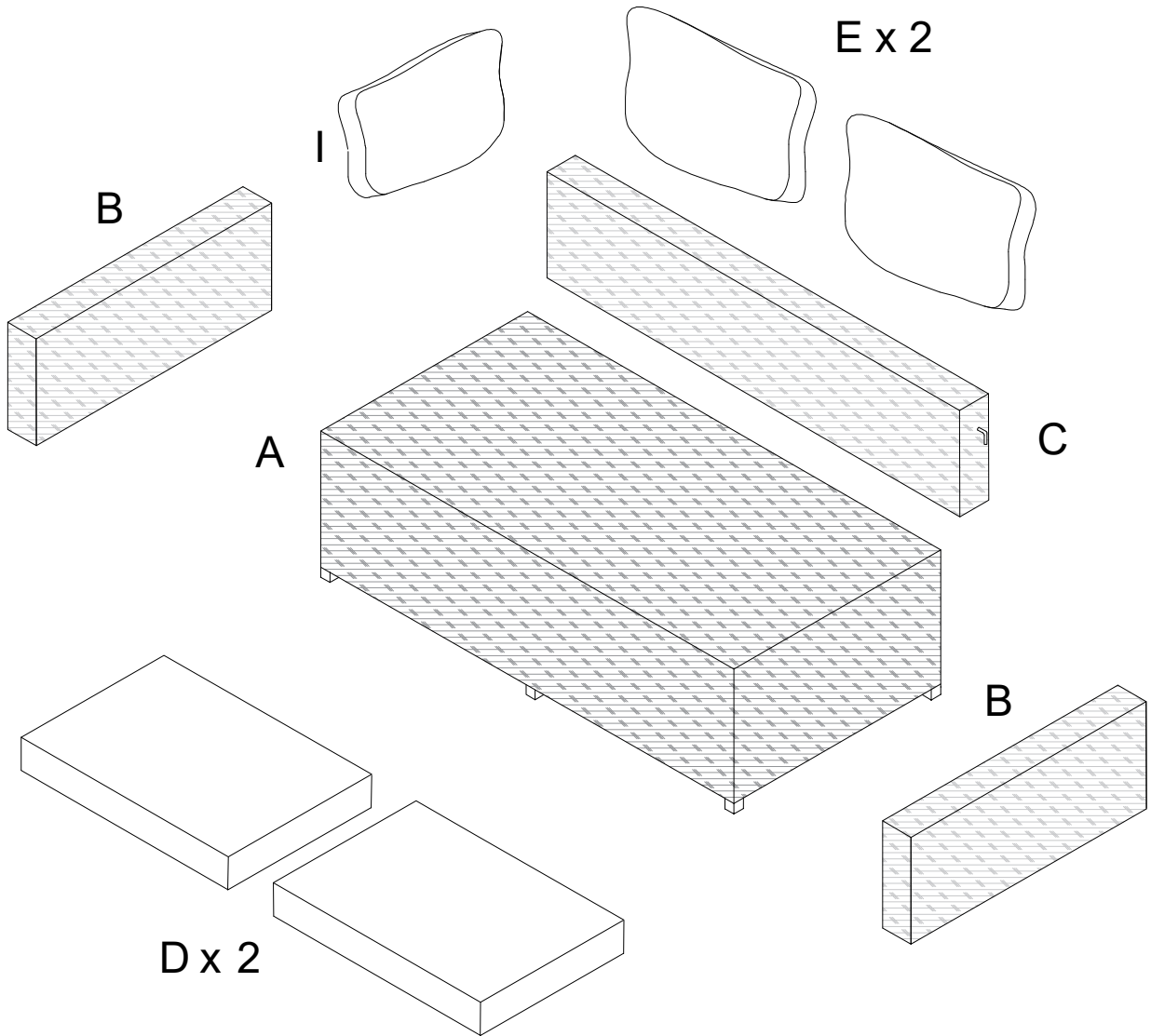
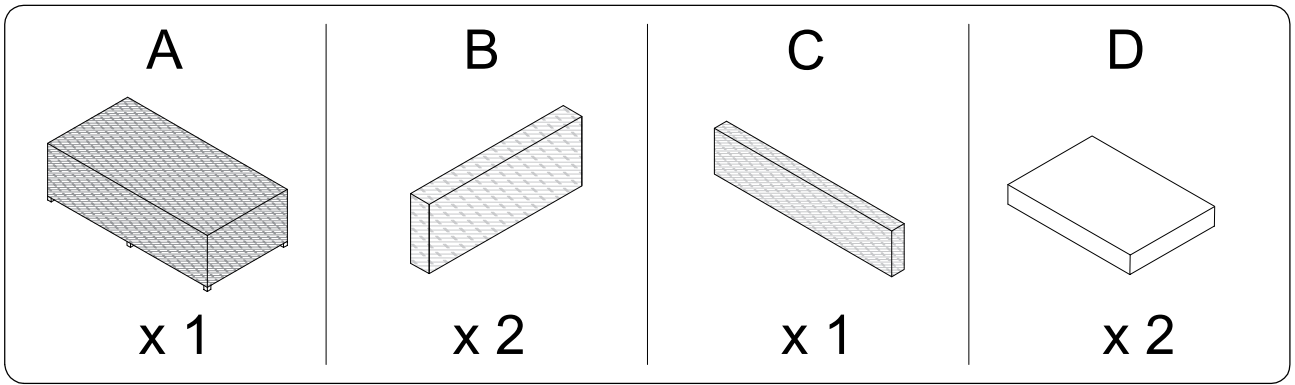


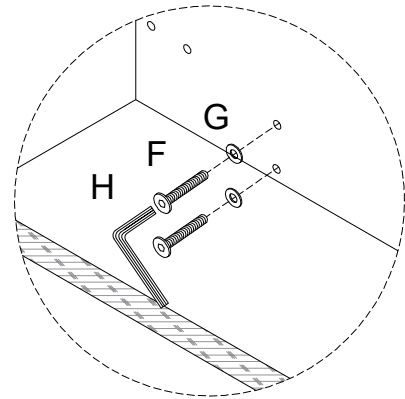
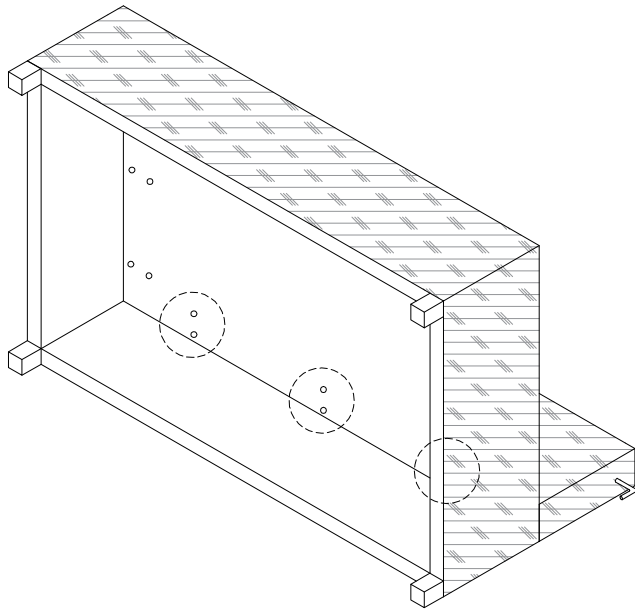
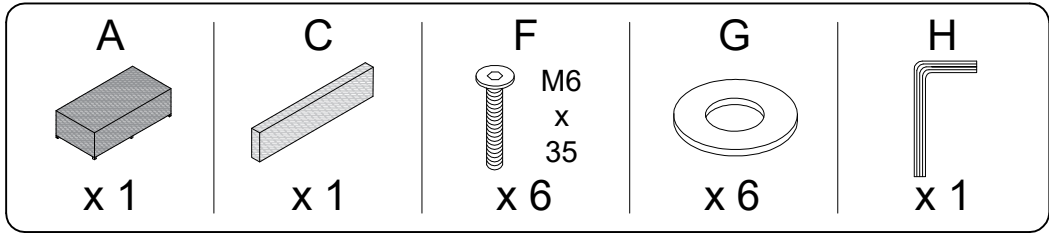
Assembly instructions and safety warnings:

- Warning 1:** A triangle with an exclamation mark points to a box containing:
  - An icon of an L-shaped corner bracket.
  - An icon of a power drill with a diagonal slash through it, indicating that a power drill should not be used.
- Warning 2:** A triangle with an exclamation mark points to a box containing:
  - An icon of a rectangular block being placed on a surface with a diagonal slash through it, indicating that the block should not be placed on a soft or uneven surface.
- Time:** A clock icon is followed by the text "40'", indicating an estimated assembly time of 40 minutes.
- Personnel:** An icon of a person is followed by the number "2", indicating that two people are required for assembly.

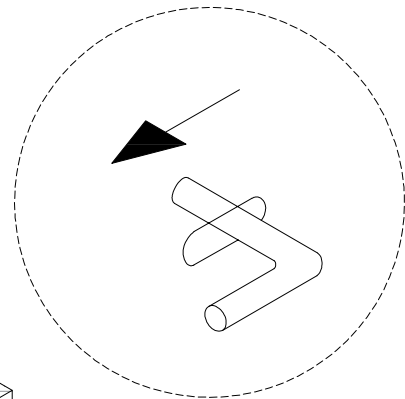
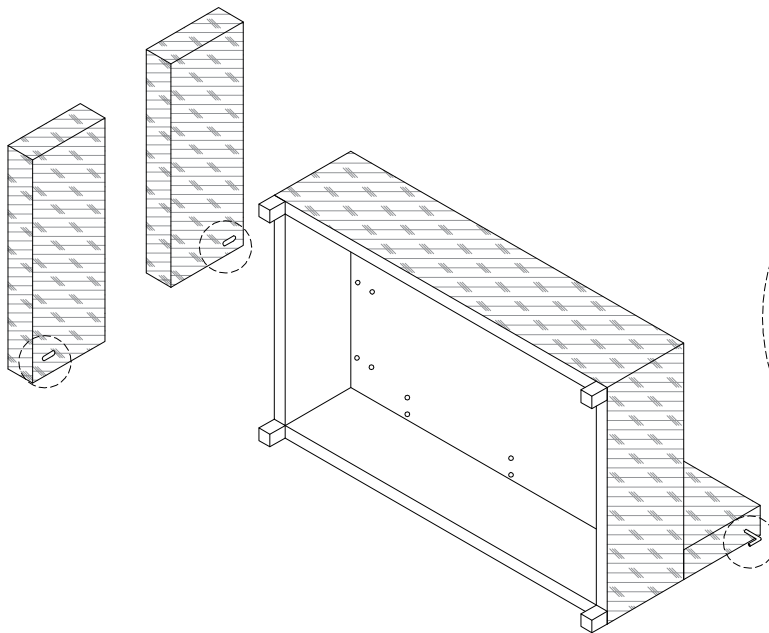
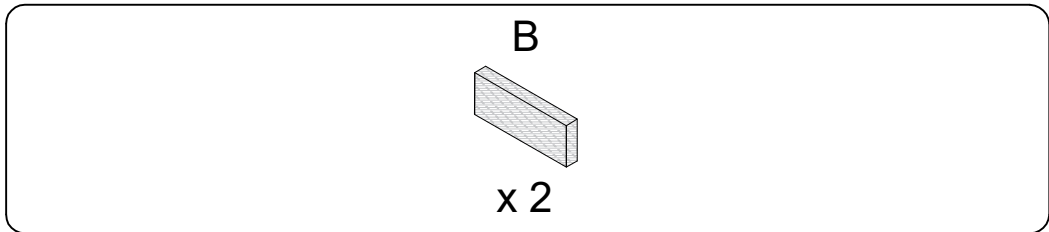
# A



1



1

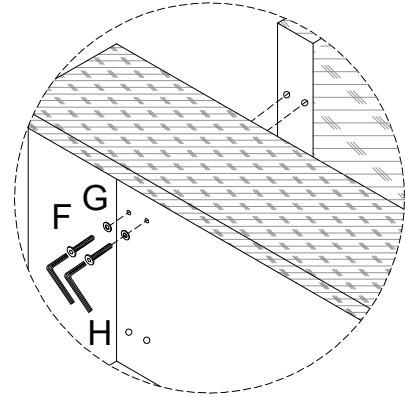
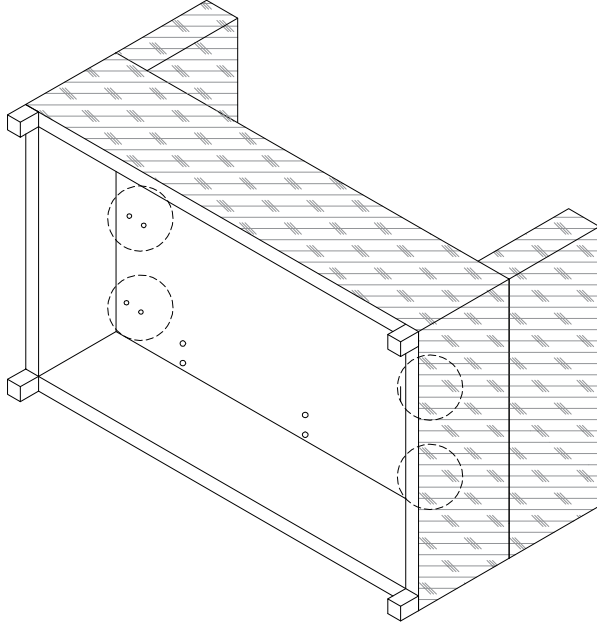


3

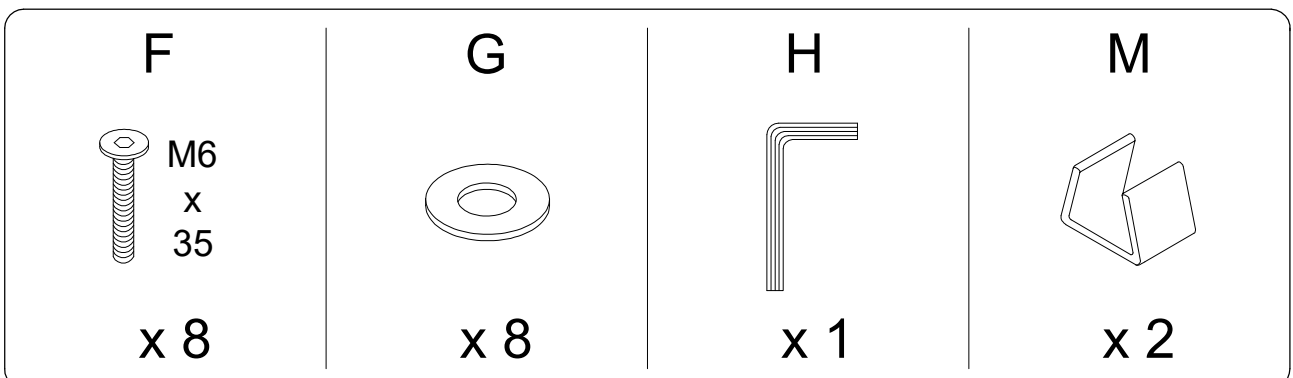
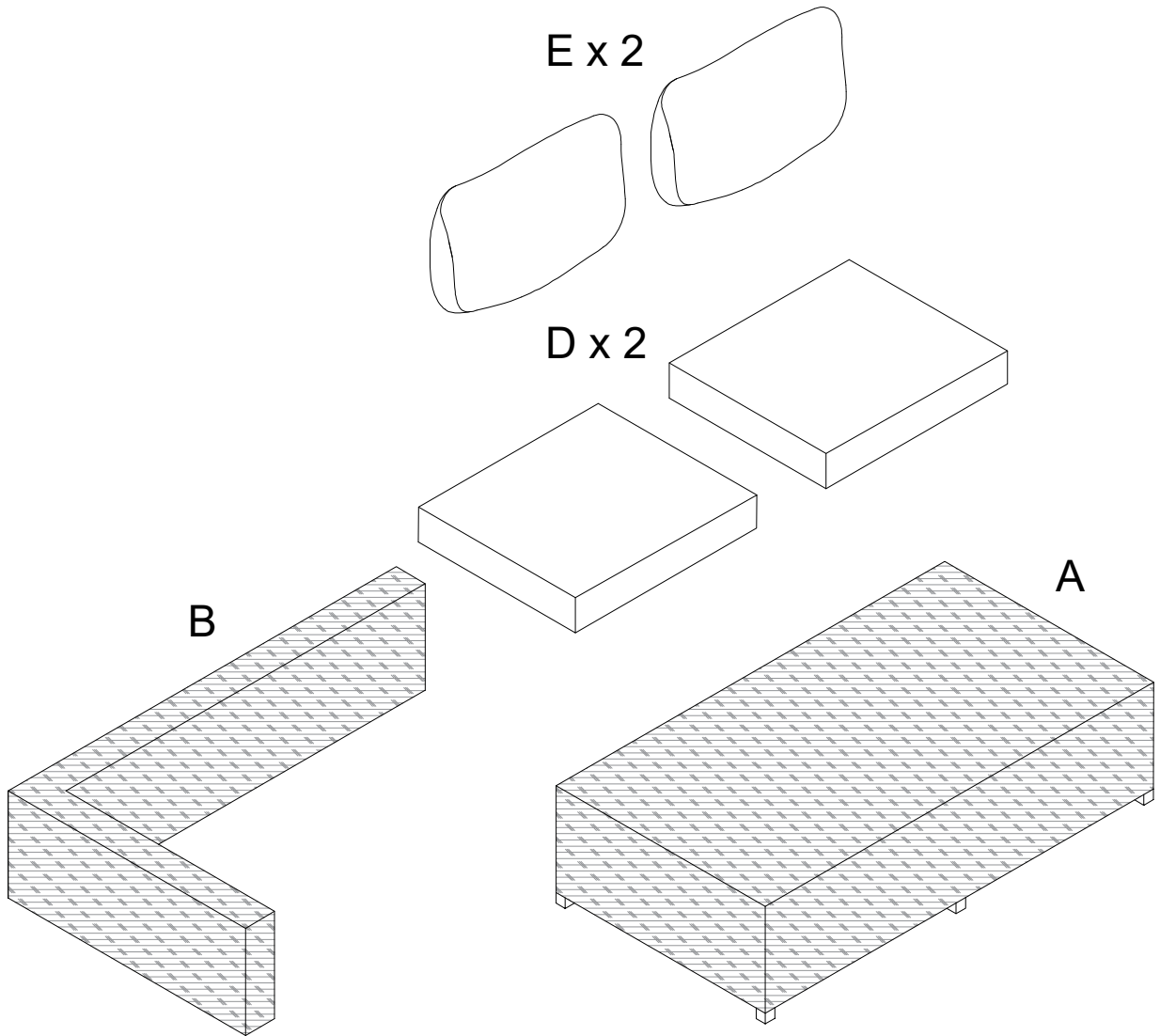
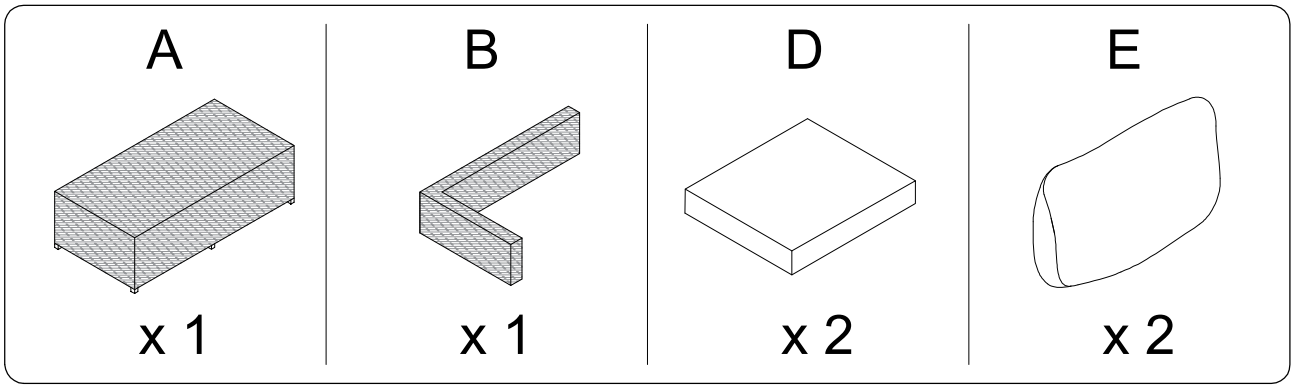
F  
M6  
x  
35  
x 8

G  
x 8

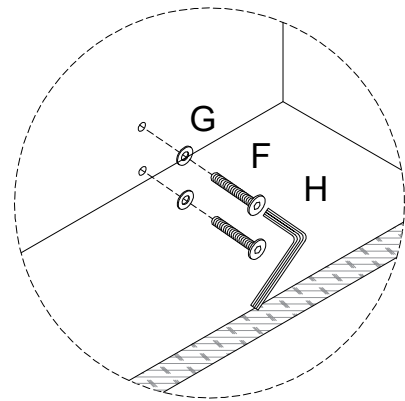
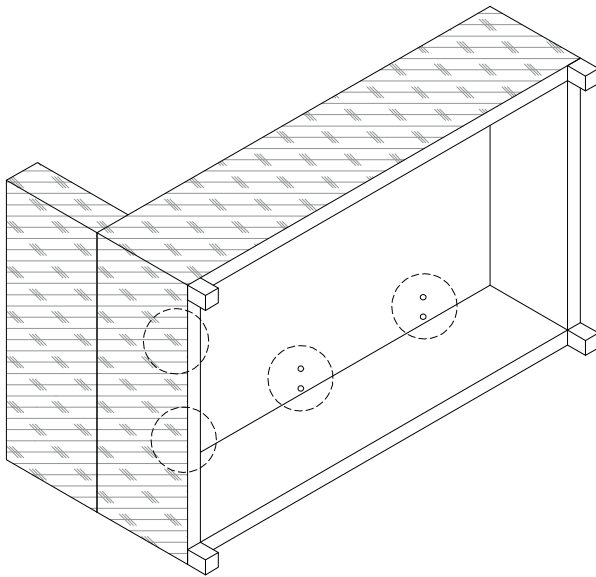
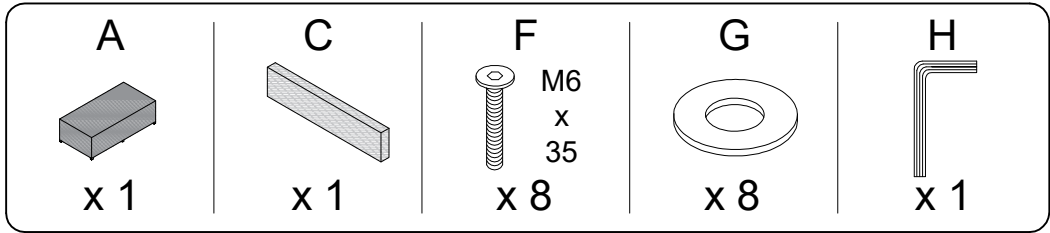
H  
x 1



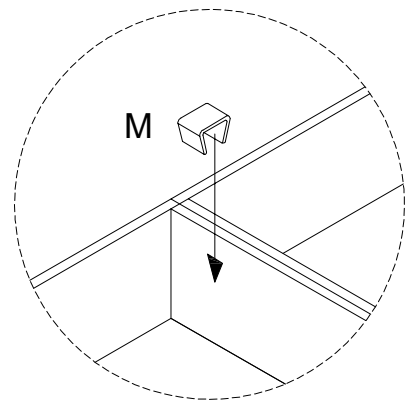
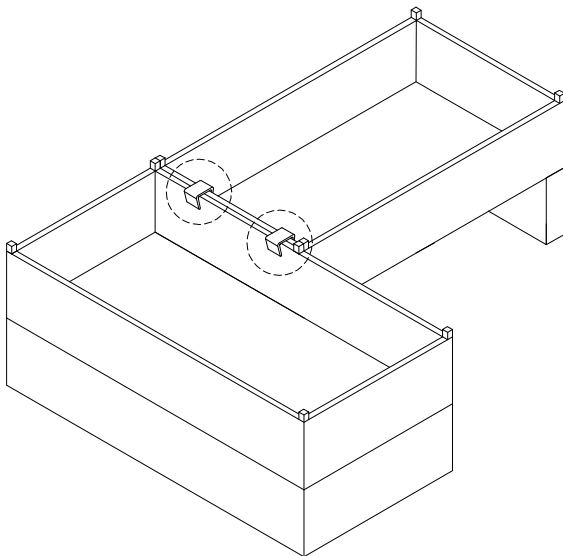
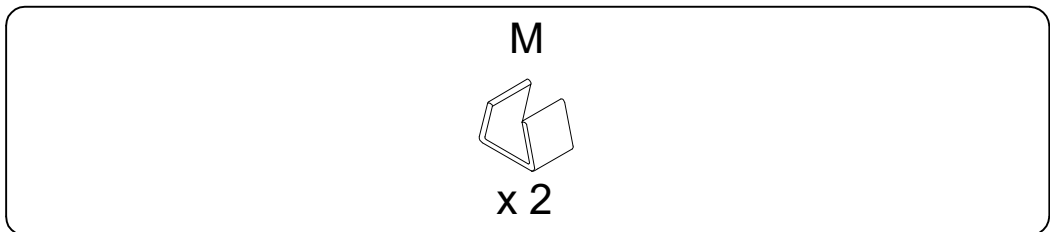
# B



1

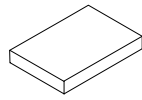


2

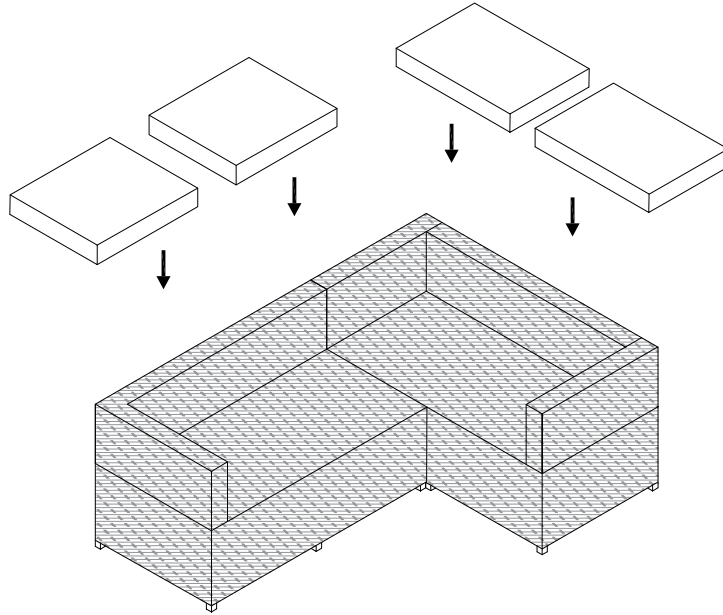


3

D

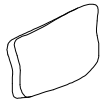


x 4



4

E

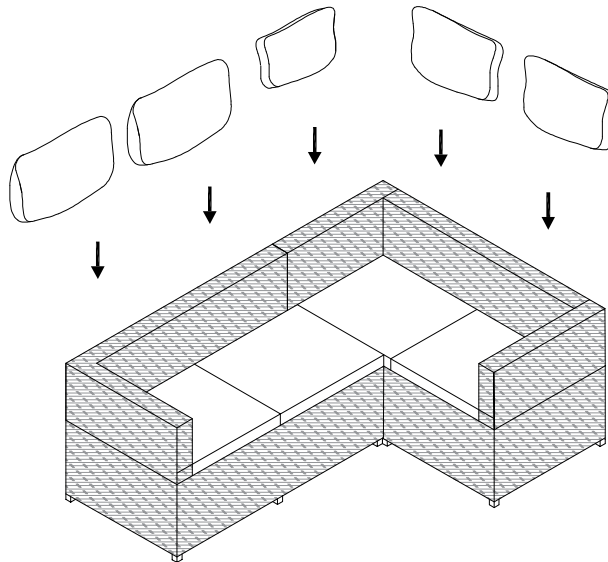


x 4

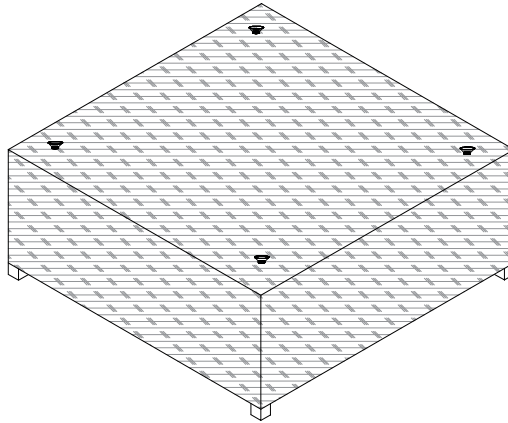
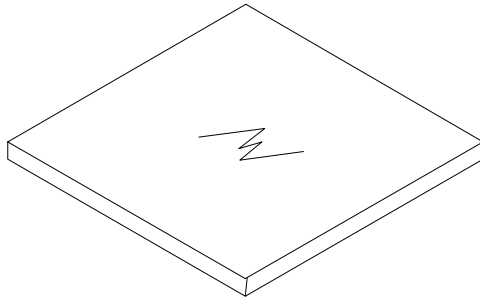
I



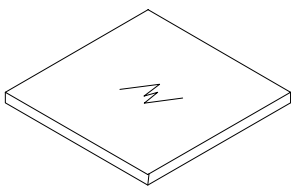
x 1



C

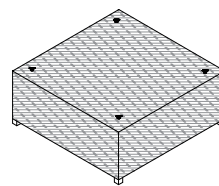


A



x 1

B



x 1

1

