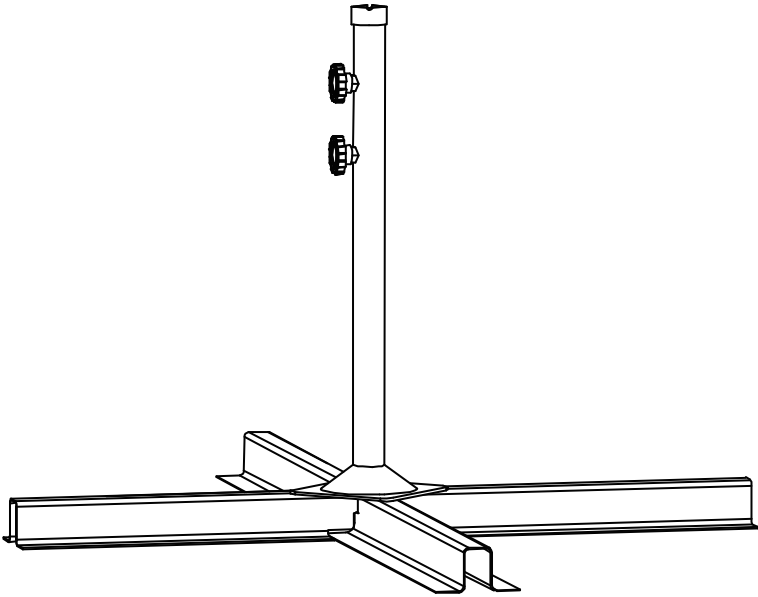


INSTRUCTION MANUAL



Heavy Duty Cross Brace, Black

! NOTICE

- Store in a location when not in use.
- Do not allow umbrella to flap in the wind as it may cause damage.
- When adjusting umbrella, make sure no person or item is close to umbrella to avoid injury or damage.

TOOLS REQUIRED



Hex Wrench
(provided)



1 PERSON
ASSEMBLY



UP TO 20 MIN.
ASSEMBLY

HARDWARE

1

PLASTIC HEAD
BOLT



2 PCS

2

LOCKING
BOLT



4 PCS

3

WASHER



4 PCS

4

HEX WRENCH



1 PC

PARTS

A

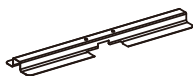
Bottom Cross Base



1 PC

B

Top Cross Base



1 PC

C

Extend Pole



1 PC

D

Connect Pole

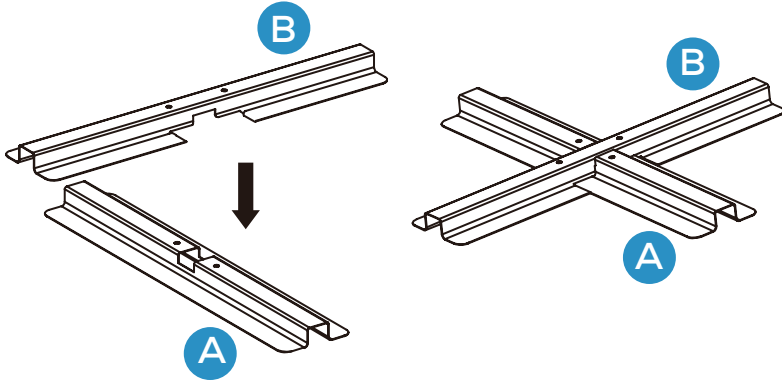
(This is packed
on top of Part C)



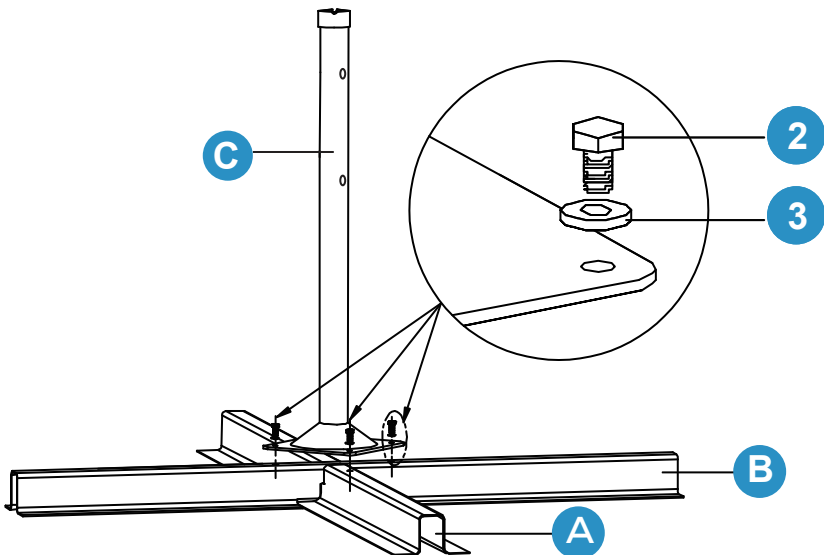
1 PC

PRODUCT ASSEMBLY

- 1 Put Part B on top of Part A.



- 2 Connect Part C Extend Pole onto Part A & B with 4 sets of Hardware 2 Locking Bolt and Hardware 3 Washer. Using hex wrench provided to tighten all the bolts.



PRODUCT ASSEMBLY

3

Check the diameter of your umbrella pole and choose Part C / D in suitable size.

Part D is already packed on top of Part C.

- Take out Part D when the diameter is 48mm;
- Keep Part D when the diameter is 38mm.

Insert your umbrella pole into Part C Extend Pole, attach 2 PCS of Hardware 1 Plastic head bolt onto Part C Extend Pole, then tighten them to keep your umbrella stable.

