

16916-B



STOP

DO NOT RETURN TO THE STORE!

If you discover missing or damaged parts, or if you have questions about the building process, please reach out to us directly for the fastest service.

24/7 Support

help.backyardproducts.com



- Answers to frequently asked questions
- Technical assistance and how-to videos
- Submit a help request
- Request replacement parts

Business Hours

(734) 242-6900

Monday - Friday 8:00am - 6:00pm EST
Saturday - Sunday Closed



Did you enjoy building your shed?

JOIN OUR TEAM

AND MAKE UP TO \$1,500/WEEK*

Call a Recruiter Today! 734-365-7000



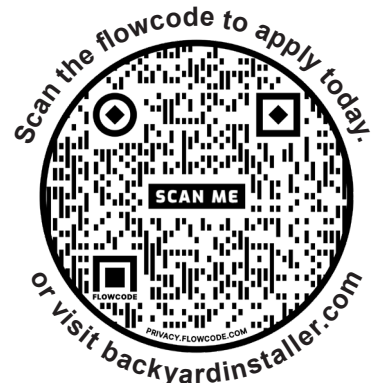
Flexible schedule



No selling,
just building



Bonus incentives
available

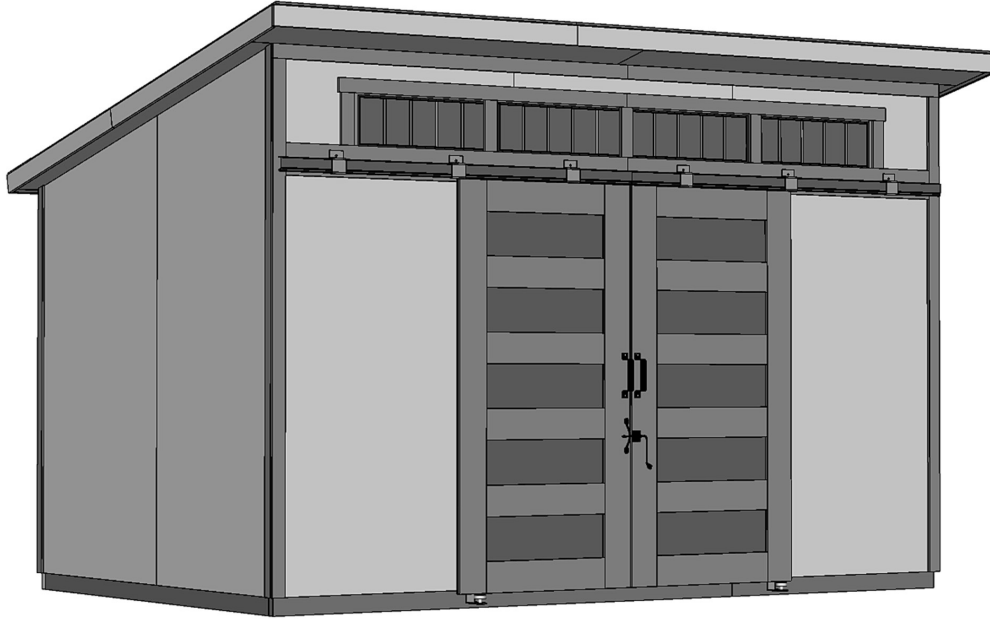


*based on number of completed installations

(This page intentionally left blank.)

MODERN 12' x 7'-6" (365,8 x 228,6 cm)

ACTUAL FLOOR SIZE IS 144" x 90" (365,8 x 228,6 cm)

KEEP THIS MANUAL FOR FUTURE REFERENCE**⚠ IMPORTANT! ⚠****READ INSTRUCTIONS THOROUGHLY PRIOR TO BEGINNING ASSEMBLY.****BEFORE YOU BEGIN****• BUILDING RESTRICTIONS AND APPROVALS**

Be sure to check with local building department and homeowners association for specific restrictions and/ or requirements before building.

• ENGINEERED DRAWINGS

Contact our Customer Service Team if engineered drawings are needed to pull local permits.

• SURFACE PREPARATION

To ensure proper assembly you must build your shed on a level surface.

Recommended methods and materials to level your shed are listed on page 8.

• CHECK ALL PARTS

Inventory all parts listed on pages 4 - 7. Contact our Customer Service Team if any parts are missing or damaged.







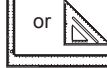

• ADDITIONAL MATERIALS

You will need additional materials to complete your shed. See page 3 for required and optional materials and quantities.

*****CONTACT OUR CUSTOMER SERVICE TEAM
IF ANY PARTS ARE MISSING OR DAMAGED*******- Order form and warranty at back of manual -****Call: 1-888-827-9056 email: customerservice@backyardproductsllc.com**







TOOLS

Required

- Phillips Screwdriver 
- Drill / Driver 
 - 1/4" Drill Bit
 - 3/8" Drill Bit
 - 1/2" Drill Bit
 - #2 Philips Drive Bit
- Hammer 
- Level 
- Pencil 
- Tape Measure 
- Square  or 

- Utility Knife 
 - Shingle Blades 
- Caulk Gun 
- Paint Tools 
- Safety Glasses 
- Ladder 

Optional

- Tool Belt/ Nail Pouch 
- Tin Snips (for drip edge) 
- Pliers 
- Chalk Line 
- Nail Gun 
 - gun nails
- Gloves 

Safety! Always use approved safety glasses during assembly.

HELPFUL REMINDER SYMBOLS

Look for these symbols for helpful reminders throughout this manual.



= Assistance Required; two or more people.



= Ensure squareness.



= Important required step or operation.



= Helpful assembly hint.



= Mark part with pencil.



BEGIN = Beginning of steps for assembly or installation.



FINISH = You have finished the assembly or installation.

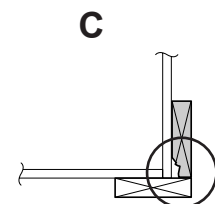
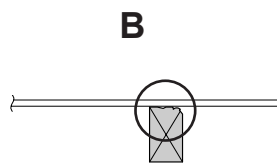
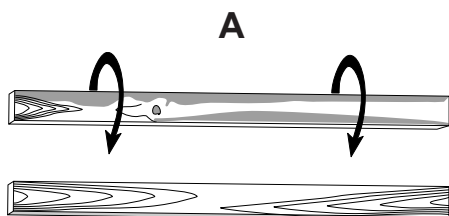


= Level

ORIENT LUMBER AND TRIM FOR BEST APPEARANCE

Framing lumber is graded for structural strength and not appearance. Exterior trim is graded for one good side.

Always install the material leaving the best edge and best surface visible. Please remember that these blemishes in no way negatively affect the strength or integrity of our product. (See Fig. A, B, C.)



ADDITIONAL MATERIALS

FOUNDATION OR FLOOR MATERIALS

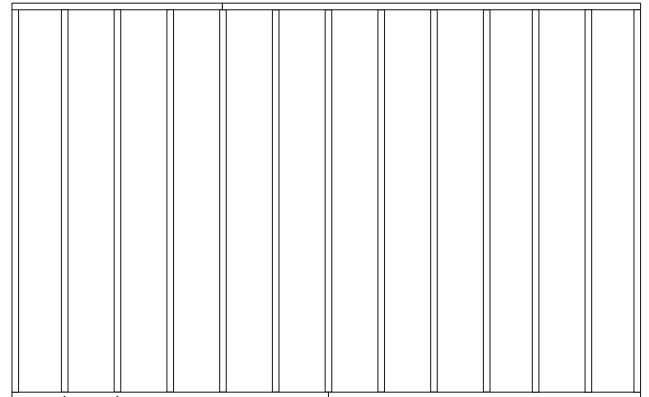
- This shed kit includes a complete wood floor system.
- This shed kit does not include ANY leveling materials.
- See the **FLOOR LEVELING** section on page 8 for recommended methods and suggested materials to properly level your floor, as this will vary depending on your specific site.

REINFORCED WOOD FLOOR FRAME (OPTIONAL)

IMPORTANT! The included floor has been designed for general use. Depending on your specific use you may want to construct a heavy duty floor frame by adding additional floor joists (shown below). Below is a list of additional materials (not included):

x3 2 x 4 x 87" (5 x 10 x 221 cm) Treated Lumber

x12 ea. 3" (7,6 cm) Hot Dipped Galvanized Nails



→ | ← Optional 12" (30,1 cm) spacing.

• Standard spacing is 16" (40,7 cm).

COMPLETING YOUR SHED


You will need these additional materials:

3-TAB SHINGLES 5 Bundles

1" GALVANIZED ROOFING NAILS.... 3 Lbs
For shingles.

PAINT FOR SIDING 2 Gallons
Use 100% acrylic latex exterior paint. (2) coats recommended.

PAINT FOR TRIM 2 Quarts
Use 100% acrylic latex exterior paint.

CAULK 2 Tubes
Use acrylic latex exterior caulk that is paintable. 

1" GALVANIZED ROOFING NAILS....1/4 Lb
For roofing felt.




TO VALIDATE YOUR WARRANTY YOU MUST USE THE FOLLOWING:



DRIP EDGE 50 Feet

#15 ROOFING FELT
To cover 134 Sq. Ft. of roof area.

CAULK 1 Tube
For windows and door track
Use acrylic latex exterior caulk that is paintable. 

REFER TO THE BACK OF THIS MANUAL AND THE MANUFACTURER'S INSTRUCTIONS FOR INSTALLATION OF SHINGLES, DRIP EDGE AND FELT.

PARTS IDENTIFICATION AND SIZES

Part identification letters are stamped on some parts.



Check these locations for part stamp.

Treated lumber is stamped:

TREATED

WOOD SIZE CONVERSION CHART

Nominal Board Size	Actual Size
2 x 4	1-1/2" x 3-1/2" (3,8 x 8,9 cm)
1 x 4	3/4" x 3-1/2" (1,9 x 8,9 cm)
2 x 3	1-1/2" x 2-1/2" (3,8 x 6,3 cm)
1 x 3	3/4" x 2-1/2" (3,8 x 6,3 cm)




PARTS LIST




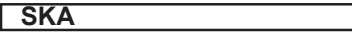
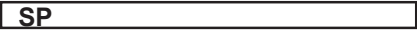



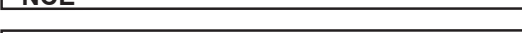

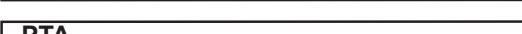

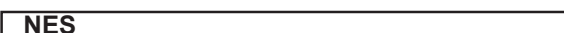
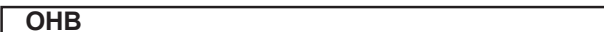
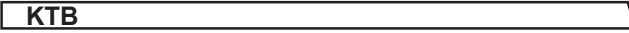



INVENTORY YOUR PARTS before you begin.

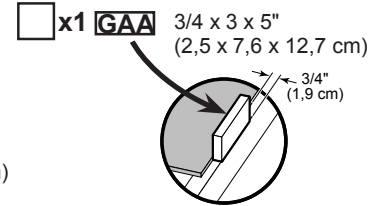
We suggest sorting parts by the category they are listed in.

FLOOR





- x2  2 x 4 x 48" (5,1 x 10,2 x 121,9 cm)
- x10  2 x 4 x 87" (5,1 x 10,2 x 220,9 cm)
- x2  2 x 4 x 96" (5,1 x 10,2 x 243,8 cm)

WALLS


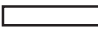
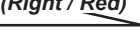





- x5  2 x 4 x 12-1/8" (5,1 x 10,2 x 30,8 cm)
- x2  2 x 4 x 40" (5,1 x 10,2 x 101,6 cm)
- x4  2 x 4 x 48" (5,1 x 10,2 x 121,9 cm)
- x7  2 x 4 x 68" (5,1 x 10,2 x 172,7 cm)
- x2  7/16 x 3-1/4 x 66-3/4" (1,1 x 8,3 x 169,5 cm) OSB
- x2  2 x 4 x 67" (5,1 x 10,2 x 170,2 cm)
- x2  2 x 4 x 68-9/16" (5,1 x 10,2 x 174,1 cm)
- x2  2 x 4 x 70-1/2" (5,1 x 10,2 x 179,1 cm)
- x2  2 x 4 x 72" (5,1 x 10,2 x 182,9 cm)
- x4  2 x 4 x 72-1/2" (5,1 x 10,2 x 184,2 cm)
- x2  2 x 4 x 78-1/16" (5,1 x 10,2 x 198,3 cm)
- x2  2 x 4 x 82-1/2" (5,1 x 10,2 x 209,6 cm)
- x2  2 x 4 x 86-1/8" (5,1 x 10,2 x 218,8 cm)
- x2  2 x 4 x 86-15/16" (5,1 x 10,2 x 220,8 cm)
- x1  2 x 3 x 96" (5,1 x 7,6 x 243,8 cm)
- x4  2 x 4 x 96" (5,1 x 10,2 x 243,8 cm)



RAFTERS







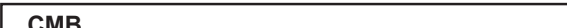









- x11  2 x 3 x 10-7/16" (5,1 x 7,6 x 26,5 cm)
- x2  1 x 3 x 31-15/16" (2,5 x 7,6 x 81,1 cm)
- x2  1 x 3 x 72" (2,5 x 7,6 x 182,8 cm)
- x11  2 x 4 x 92-3/16" (1,5 x 10,2 x 234,2 cm)

TRIM




- x5  19/32" x 2-1/2" x 9" (1,5 x 6,3 x 22,9 cm)
- x1  3/8" x 1-1/2" x 9" (0,9 x 3,8 x 22,9 cm)
- x1  (Right / Red) 3/8" x 2-11/16" x 12-1/4" (1,5 x 6,8 x 31,1 cm)
- x1  (Left / Green) 3/8" x 2-11/16" x 12-1/4" (1,5 x 6,8 x 31,1 cm)
- x2  2 x 3 x 31-15/16" (5,1 x 7,6 x 81,1 cm)
- x2  19/32" x 3-1/2" x 45" (1,5 x 8,8 x 114,3 cm)
- x2  19/32" x 2-1/2" x 58-3/4" (1,5 x 6,3 x 149,2 cm)
- x1  2 x 3 x 59-1/4" (5,1 x 7,6 x 150,5 cm)

PARTS LIST continued...

TRIM

- x1  19/32" x 3-1/2" x 59-1/4" (1,5 x 8,8 x 150,4 cm)
- x1  19/32" x 3-1/2" x 60-1/2" (1,5 x 8,8 x 153,7 cm)
- x1  19/32" x 3-1/2" x 61-1/16" (1,5 x 8,8 x 155,1 cm)
- x1  19/32" x 3-1/2" x 61-1/16" (1,5 x 8,8 x 155,1 cm)
- x2  19/32 x 2-1/2 x 67-3/4" (1,5 x 6,3 x 172,1 cm)
- x2  Door Stiffener 69" (175,2 cm)
- x2  19/32" x 5-1/2" x 70-1/4" (1,5 x 14 x 178,4 cm)
- x2  2 x 3 x 72" (5,1 x 7,6 x 182,8 cm)
- x2  19/32" x 2-1/2" x 72-3/4" (1,5 x 6,3 x 184,8 cm)
- x2  3/8" x 2" x 73-5/16" (0,9 x 5,1 x 186,2 cm)
- x1  3/8" x 2" x 73-7/16" (0,9 x 5,1 x 186,5 cm)
- x1  3/8" x 2" x 73-7/16" (0,9 x 5,1 x 186,5 cm)
- x2  19/32" x 2-1/2" x 90-5/8" (1,5 x 6,3 x 230,2 cm)
- x1  3/8" x 2" x 93-1/8" (0,9 x 5,1 x 236,5 cm)
- x1  3/8" x 2" x 93-1/8" (0,9 x 5,1 x 236,5 cm)
- x2  19/32" x 3-1/2" x 96" (1,5 x 8,8 x 243,8 cm)






SOFFIT

- x1  3/8" x 10-3/8" x 75-5/8" (1 x 26,3 x 192,1 cm)
- x1  3/8" x 10-3/8" x 79-5/8" (1 x 26,3 x 202,2 cm)
- x2  3/8" x 5-1/4" x 94-7/16" (1 x 13,3 x 242,5 cm)

PANEL PARTS LIST

Roof panels are 7/16" (1,1 cm) thick.



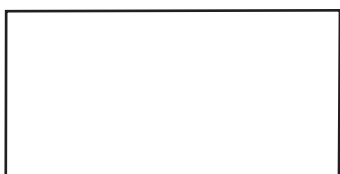
ROOF PANELS

- x1  7/16" x 10-11/16" x 28"
(1,1 x 27,1 x 71,1 cm)
- x1  7/16" x 10-11/16" x 31-7/8"
(1,1 x 27,1 x 81 cm)
- x1  7/16" x 10-11/16" x 96"
(1,1 x 27,1 x 243,8 cm)
- x1  7/16" x 11-7/8" x 96"
(1,1 x 30,2 x 243,8 cm)
- x3  7/16" x 48" x 96"
(1,1 x 121,9 x 243,8 cm)

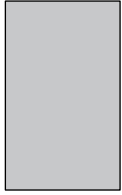
NOTE: Panel parts are not stamped.

Floor panels are 5/8" (1,6 cm) thick.

FLOOR

- x1  5/8" x 48" x 90"
(1,5 x 106,6 x 228,6 cm)
- x1  5/8" x 42" x 96"
(1,5 x 106,6 x 243,8 cm)
- x1  5/8" x 48" x 96"
(1,5 x 121,9 x 243,8 cm)

WALL PANEL & DOORS PARTS LIST



x3
3/8" x 48" x 76"
(1 x 113,3 x 193 cm)



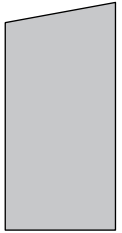
x1
3/8" x 10-7/16" x 48"
(1 x 26,5 x 121,9 cm)



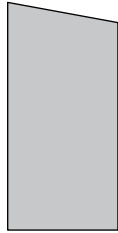
x1
3/8" x 48" x 84"
(1 x 122 x 213,4 cm)



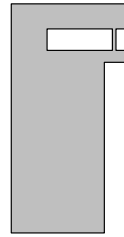
x1
3/8" x 48" x 84"
(1 x 122 x 213,4 cm)



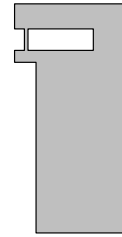
x1
3/8" x 42" x 96"
(1 x 106,7 x 243,8 cm)



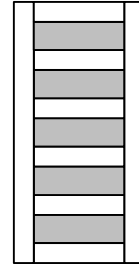
x1
3/8" x 42" x 96"
(1 x 106,7 x 243,8 cm)



x1
3/8" x 48" x 96"
(1 x 121,9 x 243,8 cm)



x1
3/8" x 48" x 96"
(1 x 121,9 x 243,8 cm)



x2
DOORS

NAIL BOXES

x4 BOXES 3" (7,6 cm)

x4 BOXES 2" (5,1 cm)

FASTENER / HARDWARE BAG

x80 3" (7,6 cm)

x100 2" (5,0 cm)

x48 #8 x 3/4" (1,9 cm)

x92 3/4" (1,9 cm)

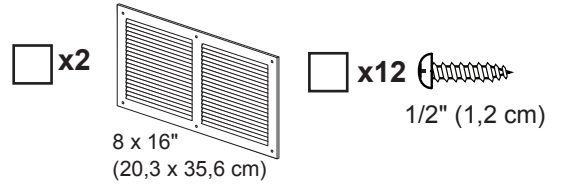
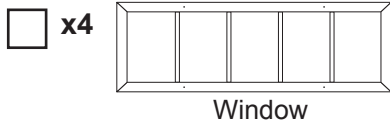
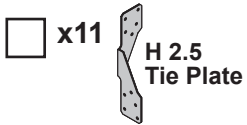
x265 1-1/2" (3,8 cm)

x265 2" (5,1 cm)

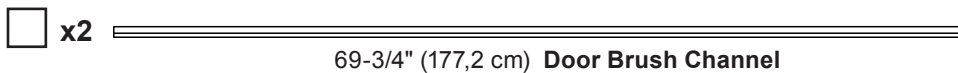
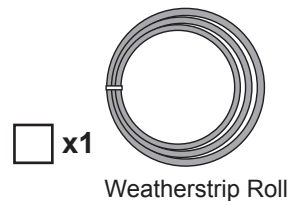
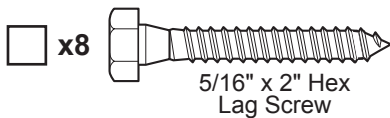
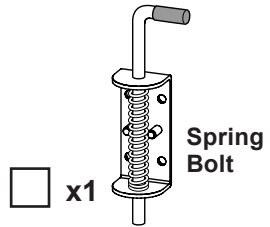
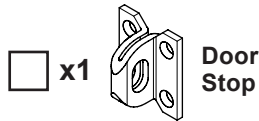
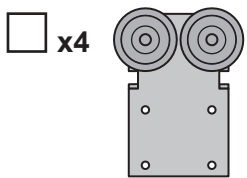
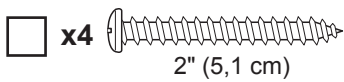
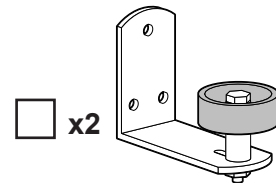
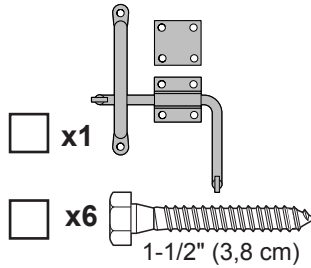
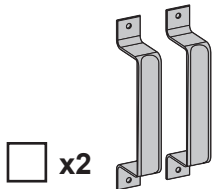
NOTE:

*If you are using a nail gun, nails may be used where screws are shown for quicker assembly.
Length of nail must match screw length.*

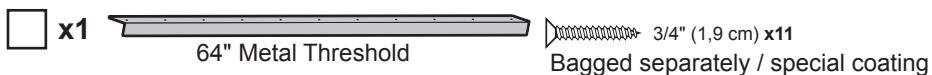
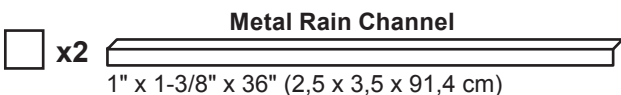
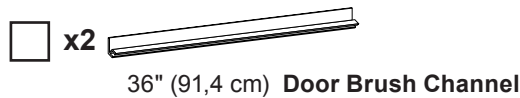
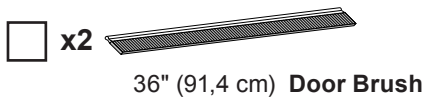
HARDWARE / WINDOWS / Misc.



DOOR HARDWARE



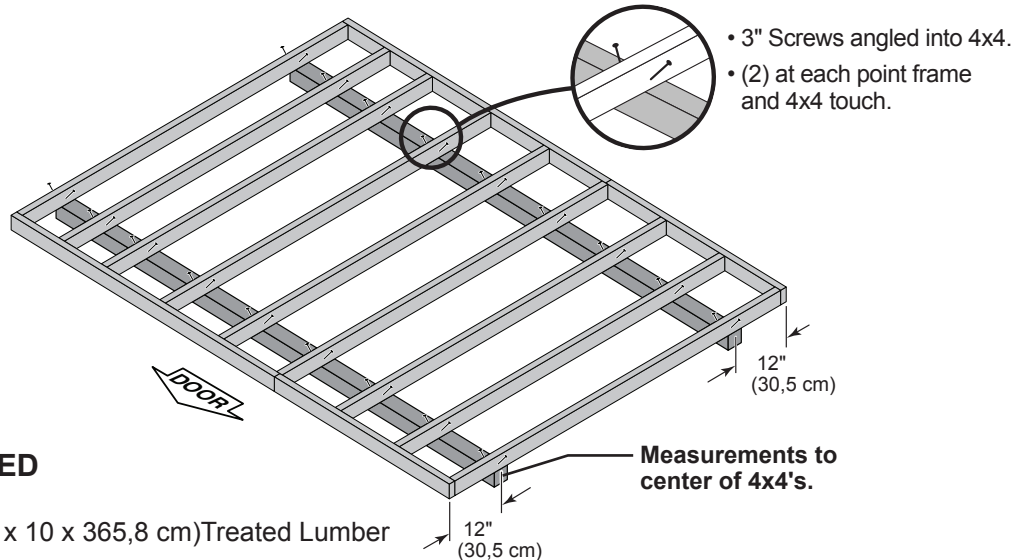
Door brushes may come already assembled



FLOOR LEVELING OPTIONS

There are multiple ways to level your floor frame. Our recommended leveling method is shown below.
Leveling materials are not included in this kit.

PREFERRED METHOD - 4x4 TREATED RUNNERS



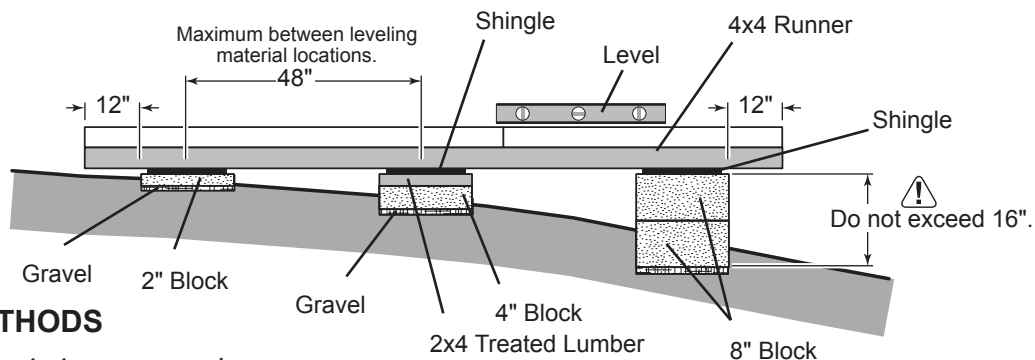
MATERIAL REQUIRED

x2 4 x 4 x 12' (10 x 10 x 365,8 cm) Treated Lumber

Fasteners for Frame to 4x4.
(3" Screws shown as one option.) Minimum (40) 3" screws / exterior grade.

Use only wood treated for ground contact and fasteners approved for use with treated wood.

Always support frame seams.



LEVELING METHODS

- Level under 4x4 runners only.
- Locate leveling material 12" from ends of runners and no more than 48" apart.
- Asphalt shingles should be used between 4x4 runners and blocks or treated lumber. Never use shingles in direct contact with ground.
- For best results and aiding in water drainage use gravel under each concrete block.

LEVELING MATERIALS

- Gravel
- Solid Masonry Blocks in 1", 2", 4" or 8" thickness
- 2x4 Treated Lumber
- Asphalt Shingles

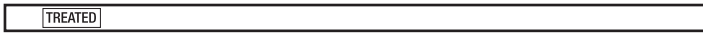
Leveling higher than 16" not recommended.

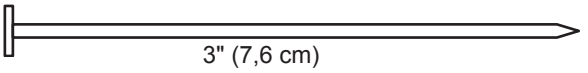
CONCRETE


- If you are building your shed on a concrete foundation see the following page.

FLOOR FRAME

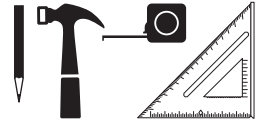
PARTS REQUIRED:

x10  2 x 4 x 87" (5,1 x 10,2 x 221 cm)

x44  3" (7,6 cm)

x2  2 x 4 x 96" (5,1 x 10,2 x 243,8 cm)

Look for
TREATED
Stamp



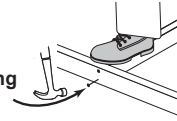
x2  2 x 4 x 48" (5,1 x 10,2 x 121,9 cm)

✓ BEGIN

- 1 Orient parts as shown on flat surface. Measure and mark. Secure with (2) 3" nails at each mark.

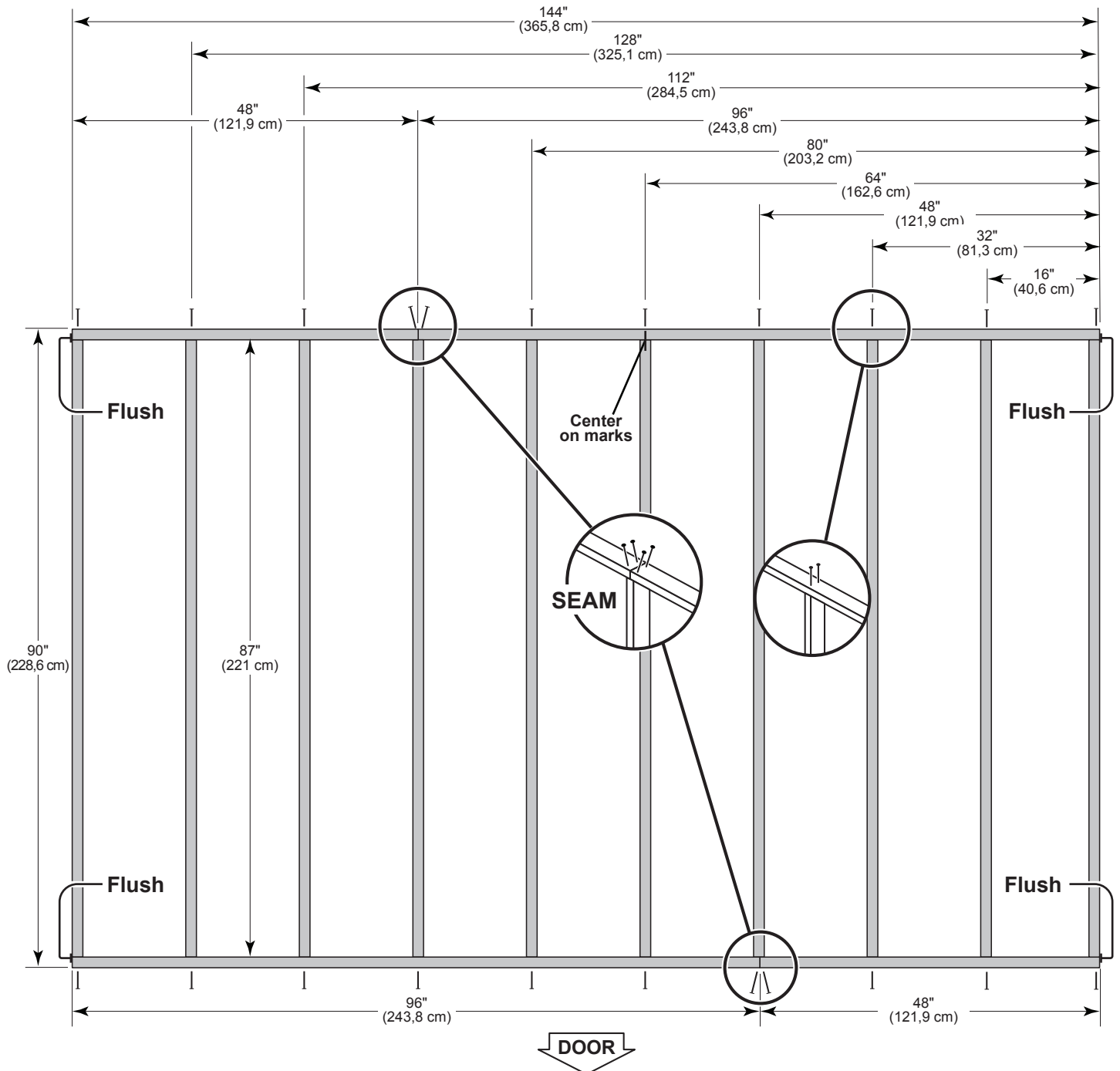


HINT:
For easier nailing
stand on frame.



FINISH

Your floor frame is now assembled. Proceed to level and square frame.



STOP!



LEVEL AND SQUARE FLOOR FRAME



STOP!

Before attaching floor decking, it is important to level and square the floor frame. A level and square floor frame is required to correctly construct your shed.

✓ **BEGIN**

- 1 See page 8 for the preferred floor leveling method.
- 2 Use level and check the frame is level before applying floor panels.
- 3 Check for frame squareness by measuring diagonally across corners. If the measurements are the same, the frame is square. The diagonal measurement will be approximately 169-13/16" (431,3 cm).
- 4 When the frame is level and square secure one side of frame to the 4x4 runners using one fastener at ends of each runner. Move to the opposite end of the frame. Secure the frame to 4x4 runners using one fastener at ends of each runner making sure the frame remains square (**Fig. A**).

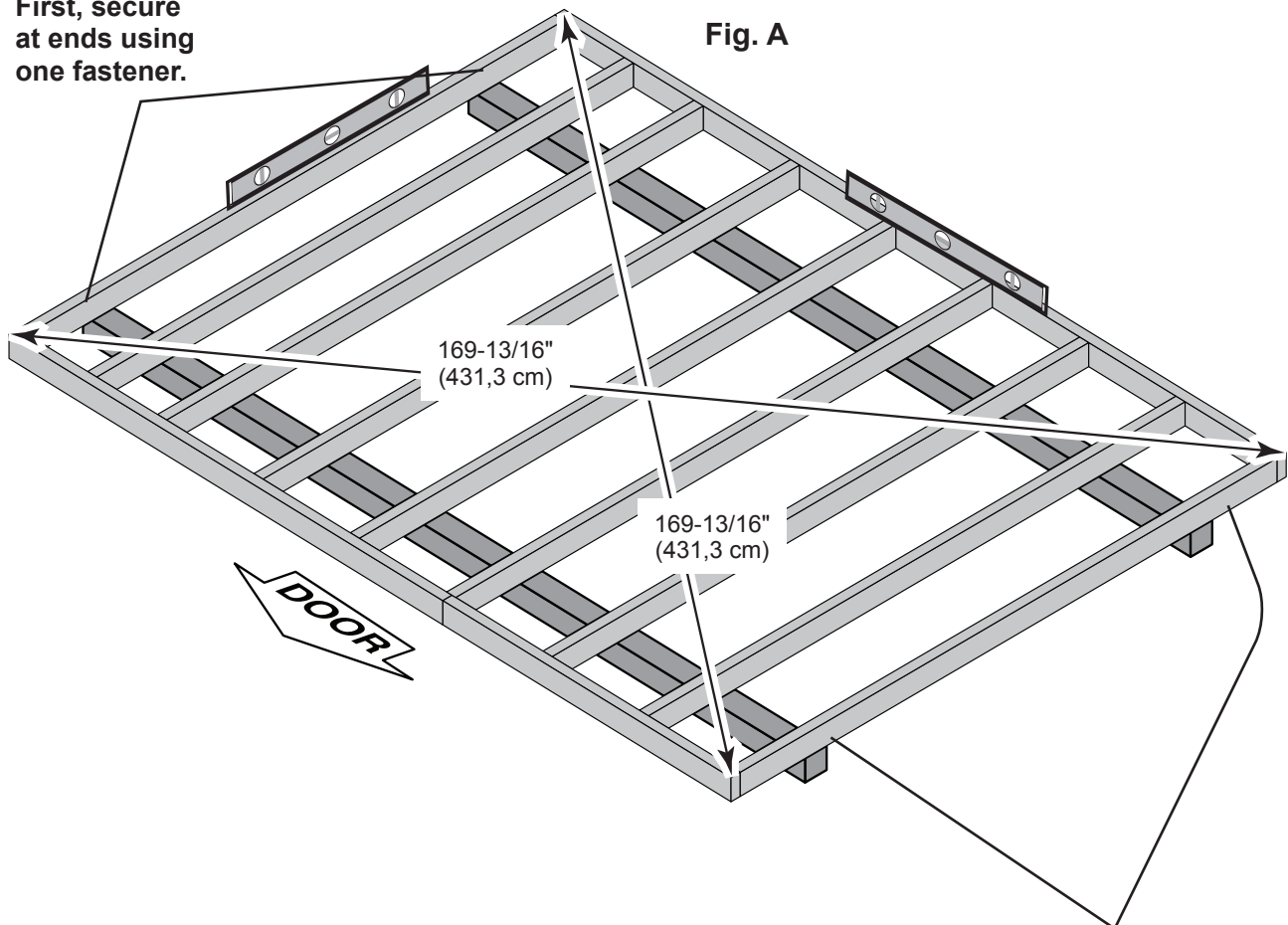


FINISH

Once the floor frame is level and square fasten the frame to the 4x4 runners at each point the frame contacts the 4x4 runners.

First, secure at ends using one fastener.


Fig. A

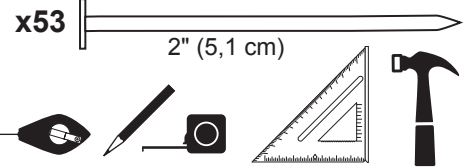


Second, secure at ends using one fastener.

FLOOR PANELS

PARTS REQUIRED:

x1  5/8" x 48" x 96"
(1,6 x 121,9 x 243,8 cm)



✓ BEGIN

- 1 Attach the 5/8" x 48" x 96" panel with the rough side up (painted-grid lines side) and with the 48" edge and corner flush to the floor frame (**Fig A**). Secure panel with (2) 2" nails in the corners.
- 2 Move to the opposite side. Using the long edge of the panel as a lever, move the panel side-to-side until the top corner is flush to the floor frame (**Fig. B**). Secure panel with (2) 2" nails in the corners.
- 3 Continue attaching the panel with 2" nails spaced 6" apart on edges and 12" apart inside panel.

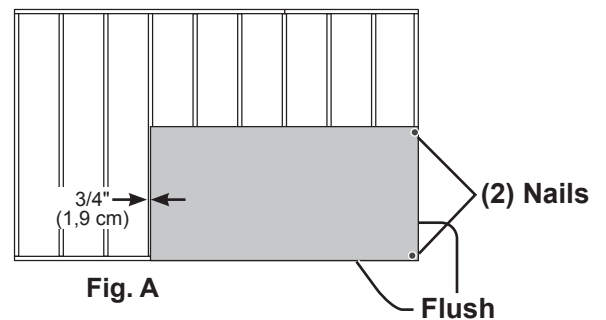


Fig. A

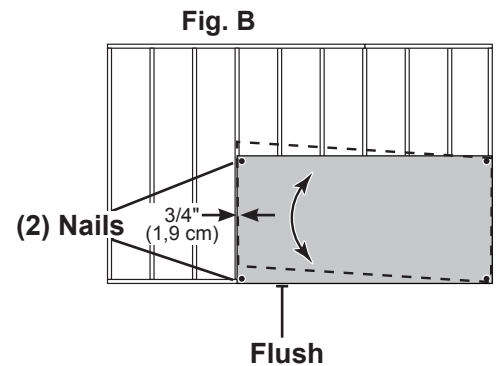
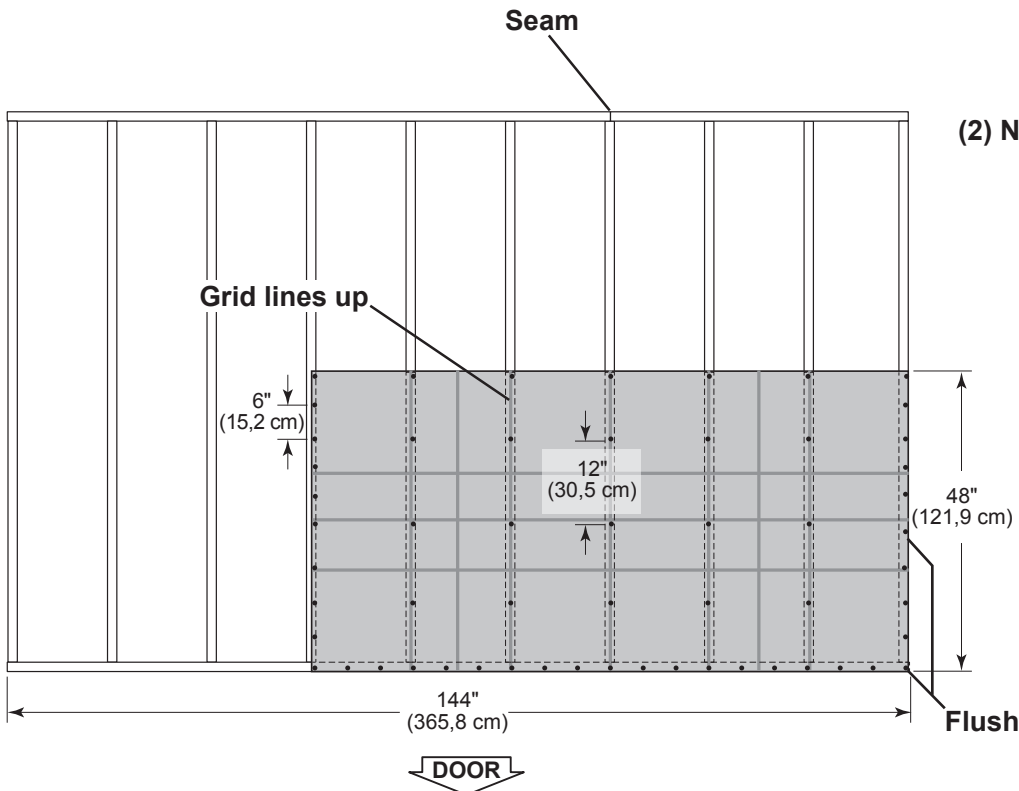


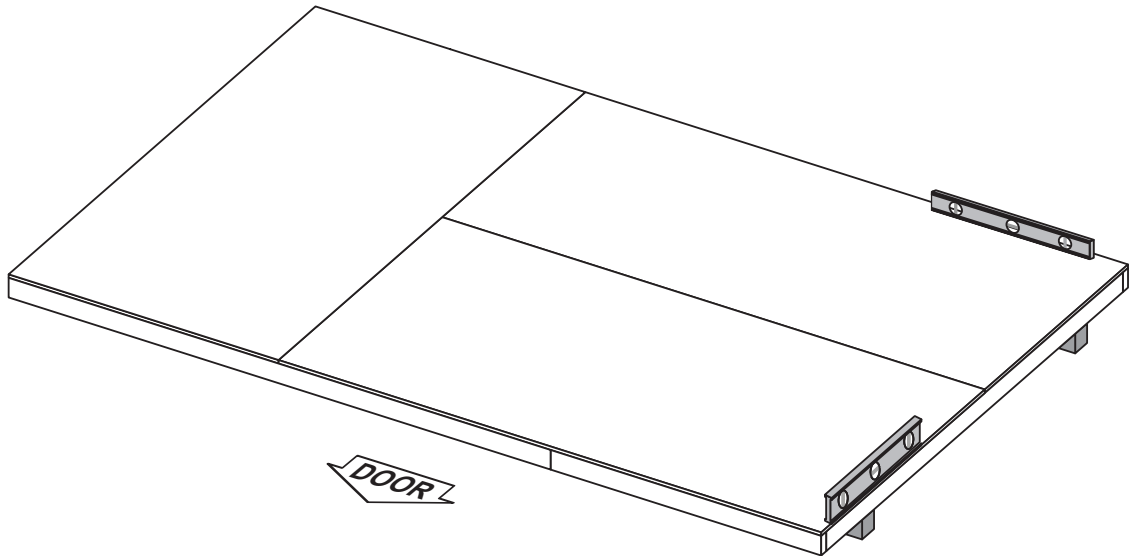
Fig. B



IMPORTANT!

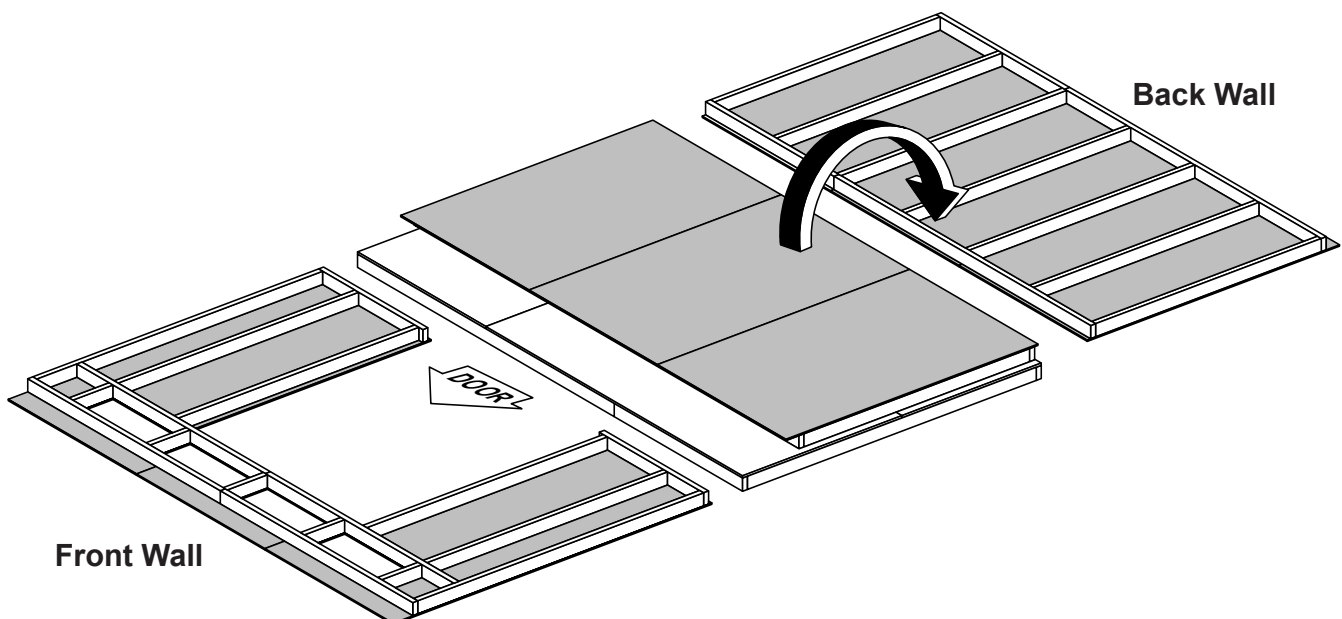
STOP!

Check the floor frame is level after installing floor panels.
Re-level if needed.



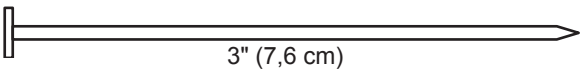
HINT:


- The floor should be used as a stable work surface for wall construction.
- Organize your assembly procedure during the build process to avoid over-handling of the walls.

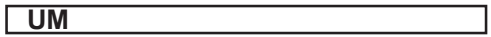


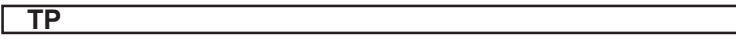
BACK WALL FRAME

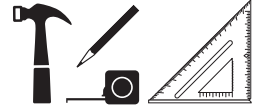
PARTS REQUIRED:

x32  3" (7,6 cm)

x2 **SP**  2 x 4 x 48" (5,1 x 10,2 x 121,9 cm)

x7 **UM**  2 x 4 x 68" (5,1 x 10,2 x 172,7 cm)

x2 **TP**  2 x 4 x 96" (5,1 x 10,2 x 243,8 cm)

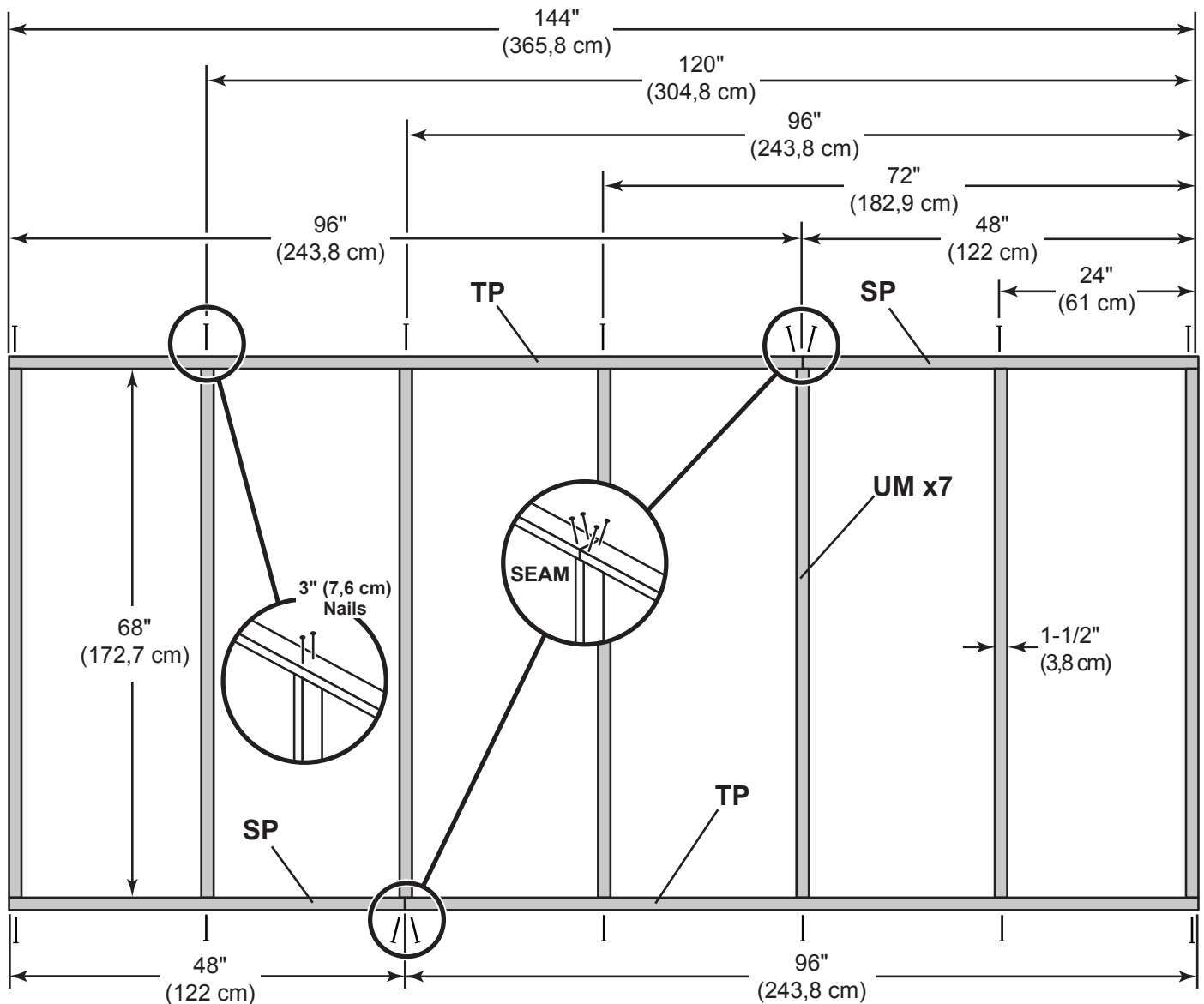
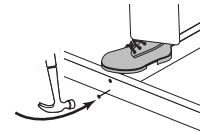


✓ BEGIN

1 Orient parts on edge on floor. Measure and mark.

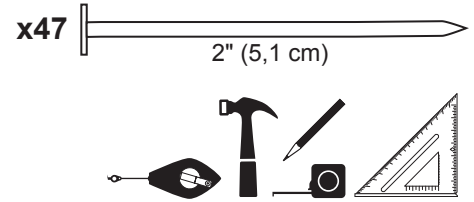
 **HINT:**
For easier nailing
stand on frame.

2 Use (2) 3" nails at each mark and (4) 3" nails at seams



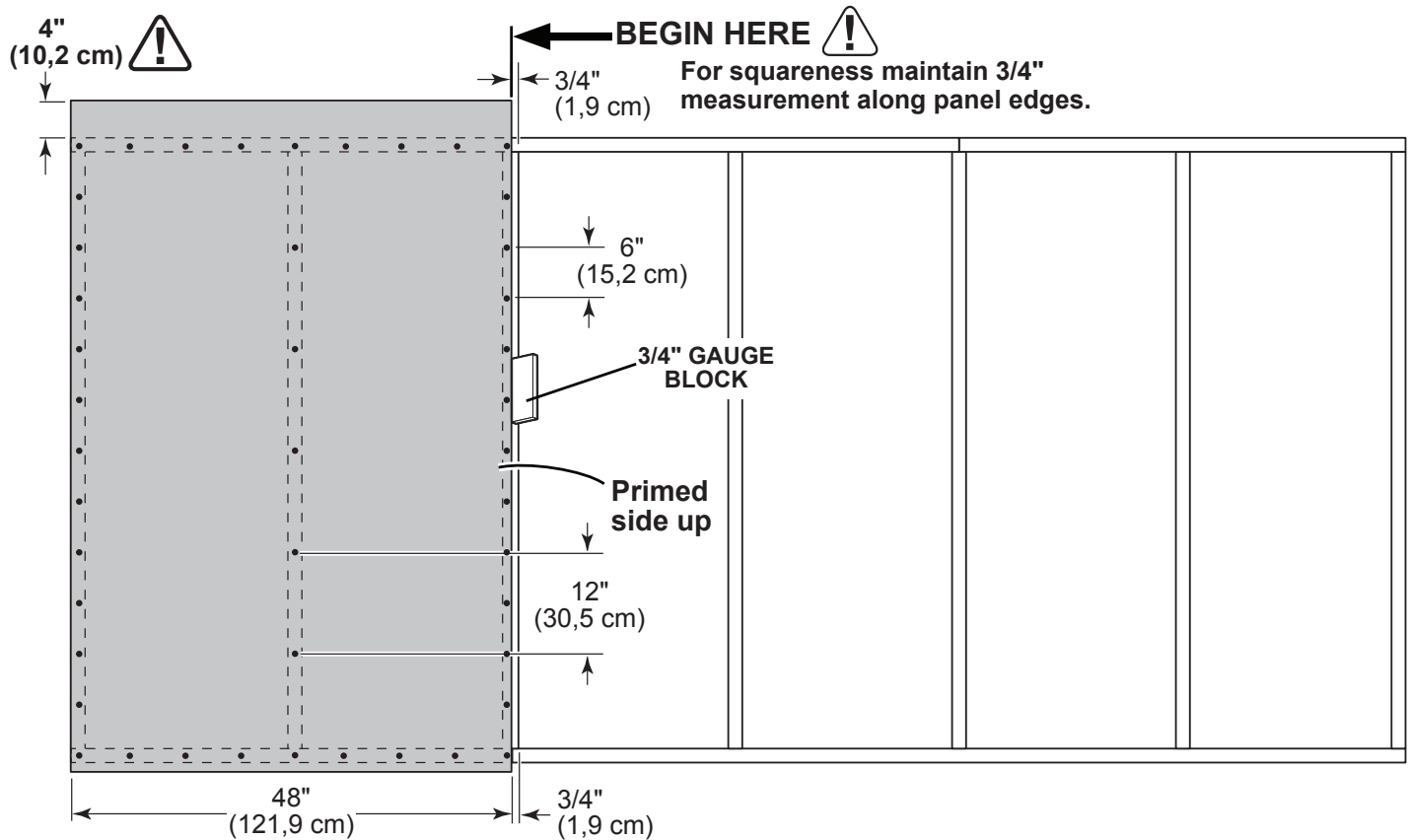
BACK WALL PANELS

PARTS REQUIRED:



⚠ • Ensure top of panel is overhanging the top of frame by 4".

- 3** Place **48" x 76"** panel onto wall frame with primed side up as shown.
Use the gauge block to mark the 3/4" measurement on the wall stud.
Secure panel with 2" nails spaced 6" apart on edges and 12" apart inside panel.



BACK WALL PANELS

PARTS REQUIRED:

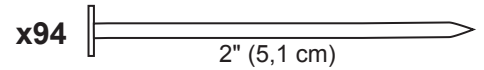


x2

48" x 76"
(121,9 x 193 cm)



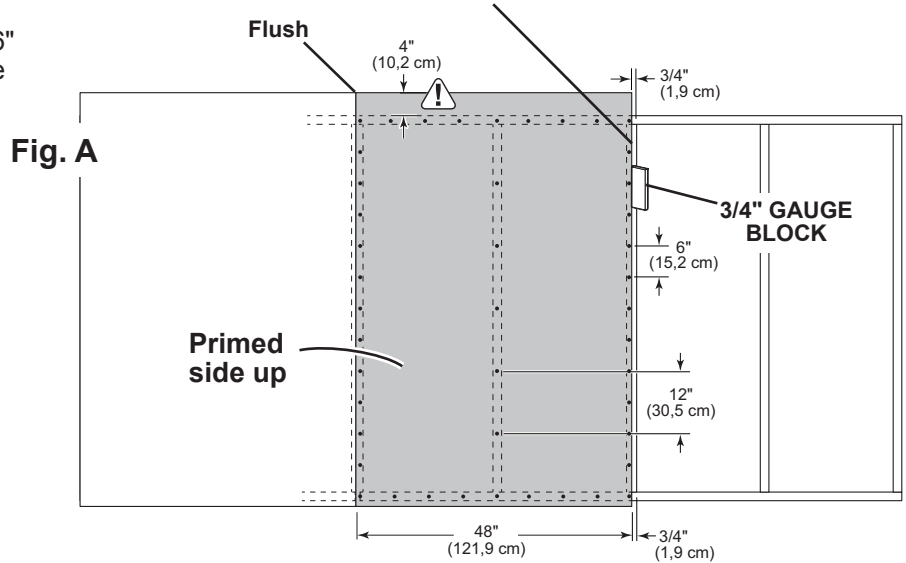
3/4" GAUGE
BLOCK



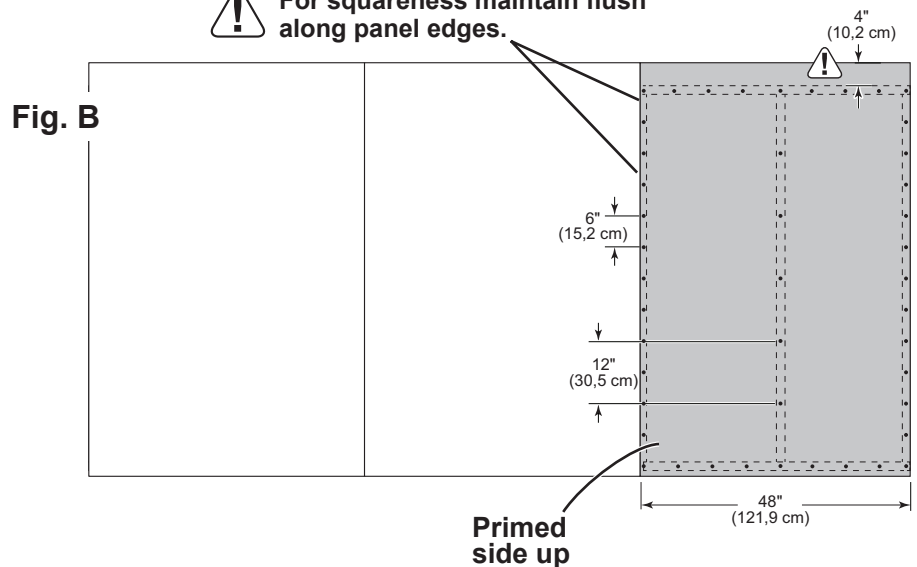
- Place center and end 48" x 76" panels on frame as shown (Fig. A, Fig. B).

Secure panel with 2" nails spaced 6" apart on edges and 12" apart inside panel.

! For squareness maintain 3/4" measurement along panel edges.

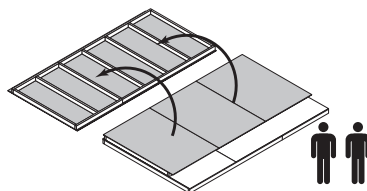


! For squareness maintain flush along panel edges.




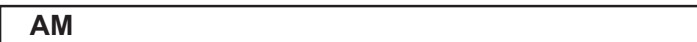
You have finished building your back wall.

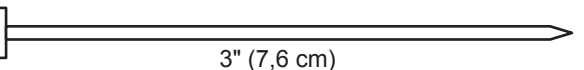
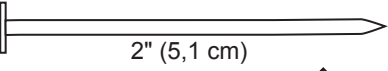
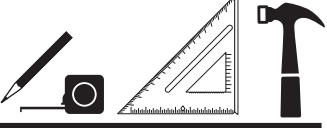
Carefully flip the back wall over.



FRONT WALL - DOOR HEADER

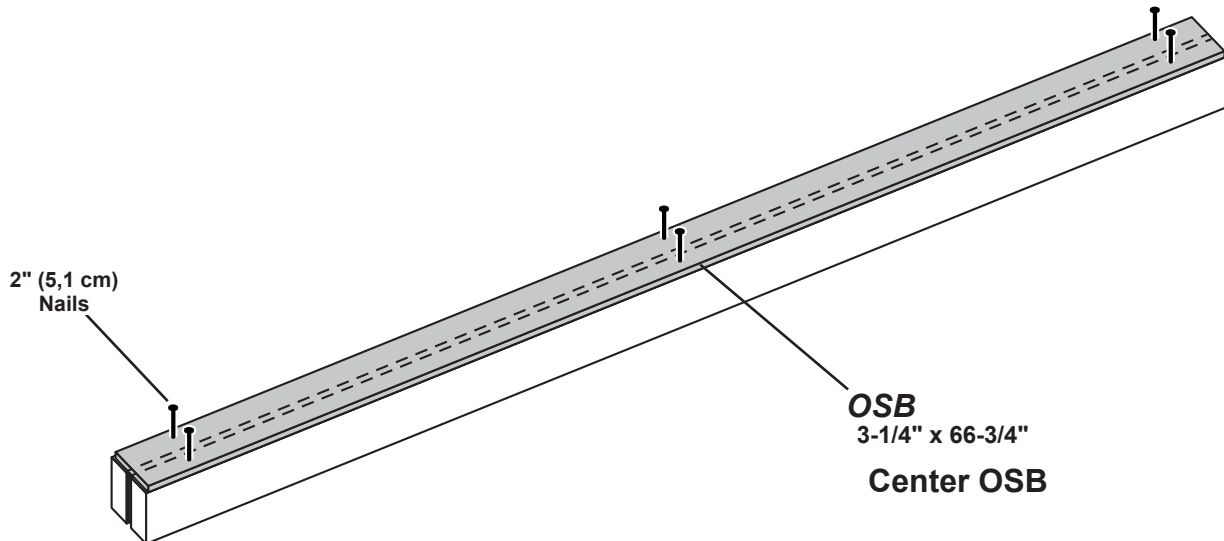
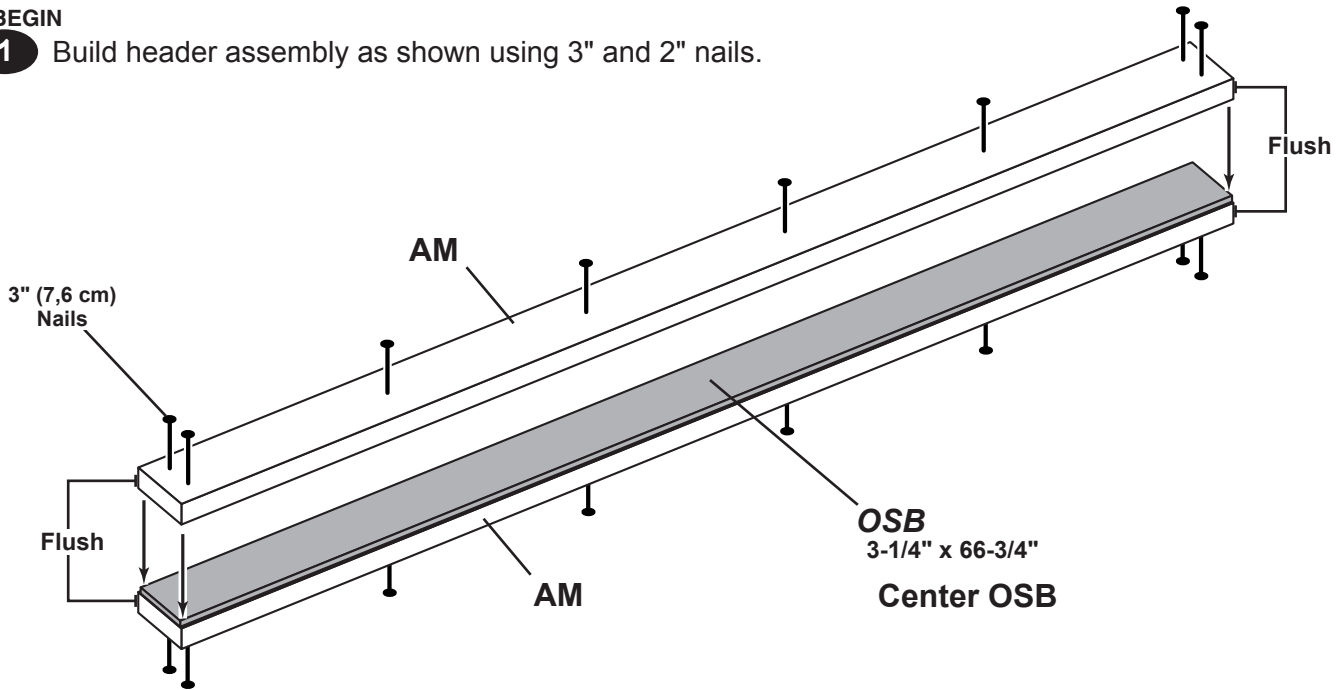
PARTS REQUIRED:

- x2 
7/16" x 3-1/4" x 66-3/4" (1,1 x 8,3 x 169,5 cm) OSB
- x2 
AM
2 x 4 x 67" (5,1 x 10,2 x 170,2 cm)

- x16 
3" (7,6 cm)
 - x6 
2" (5,1 cm)
- 

✓ BEGIN

1 Build header assembly as shown using 3" and 2" nails.



Your door header is now assembled.

FRONT WALL FRAME

PARTS REQUIRED:

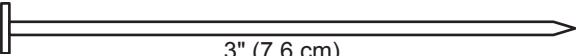
x2 **SKA** 2 x 4 x 40" (5,1 x 10,2 x 101,6 cm)

x2 **AYA** 2 x 4 x 70-1/2" (5,1 x 10,2 x 179,1 cm)

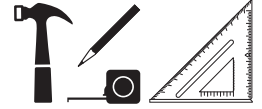
x2 **TM** 2 x 4 x 72" (5,1 x 10,2 x 182,9 cm)

x4 **PTA** 2 x 4 x 72-1/2" (5,1 x 10,2 x 184,2 cm)

x2 **OHB** 2 x 4 x 86-1/8" (5,1 x 10,2 x 218,8 cm)

x54  3" (7,6 cm)

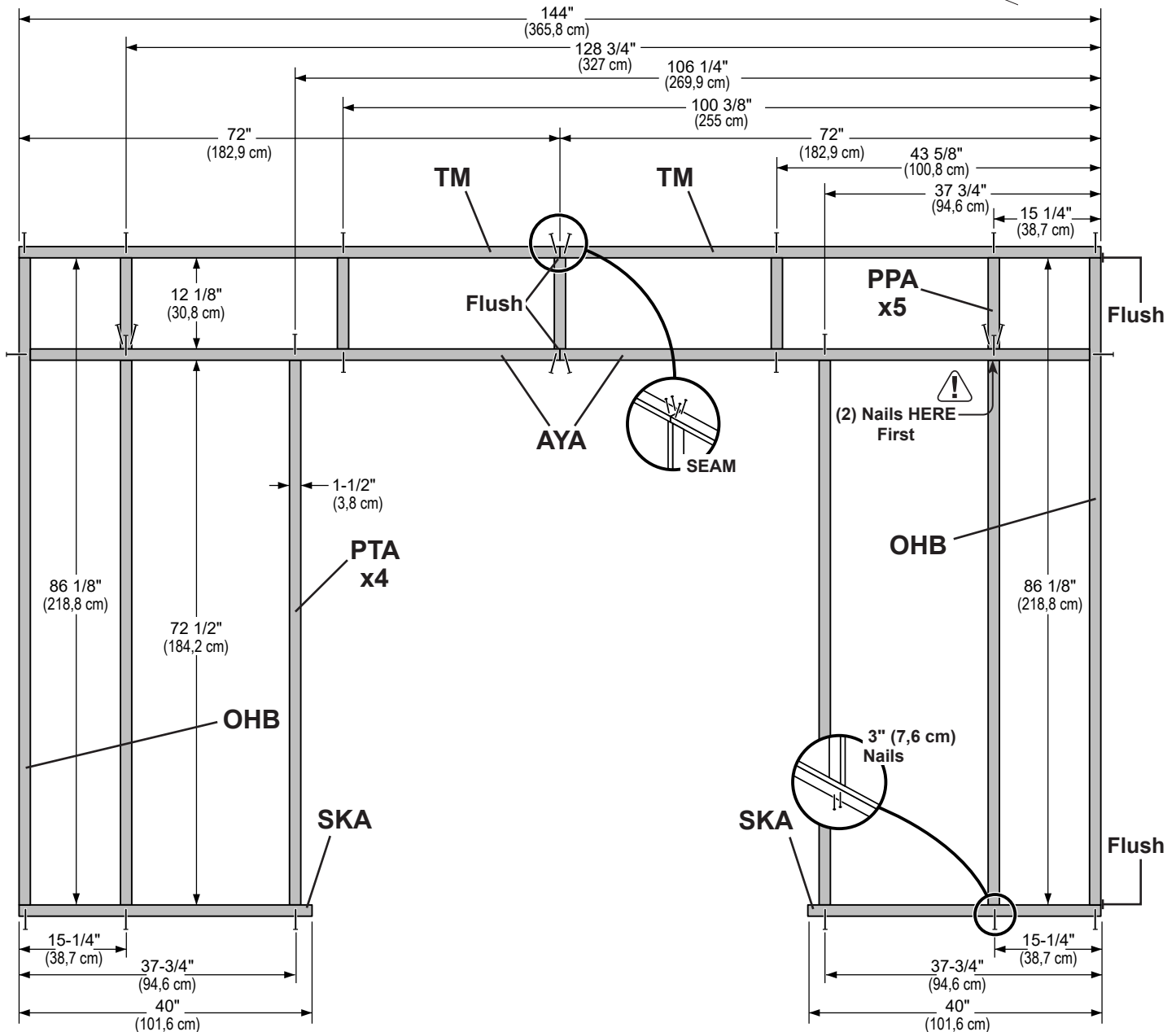
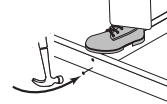
x5 **PPA** 2 x 4 x 12-1/8" (5,1 x 10,2 x 30,8 cm)



✓ BEGIN

- 1 Orient parts on edge on floor. Measure and mark.
- 2 Use (2) 3" nails at each mark and (4) 3" nails at seams.

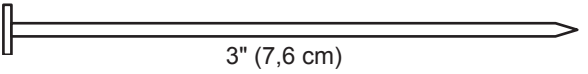
 **HINT:**
For easier nailing
stand on frame.

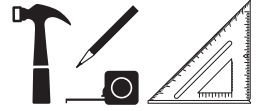


FRONT WALL FRAME

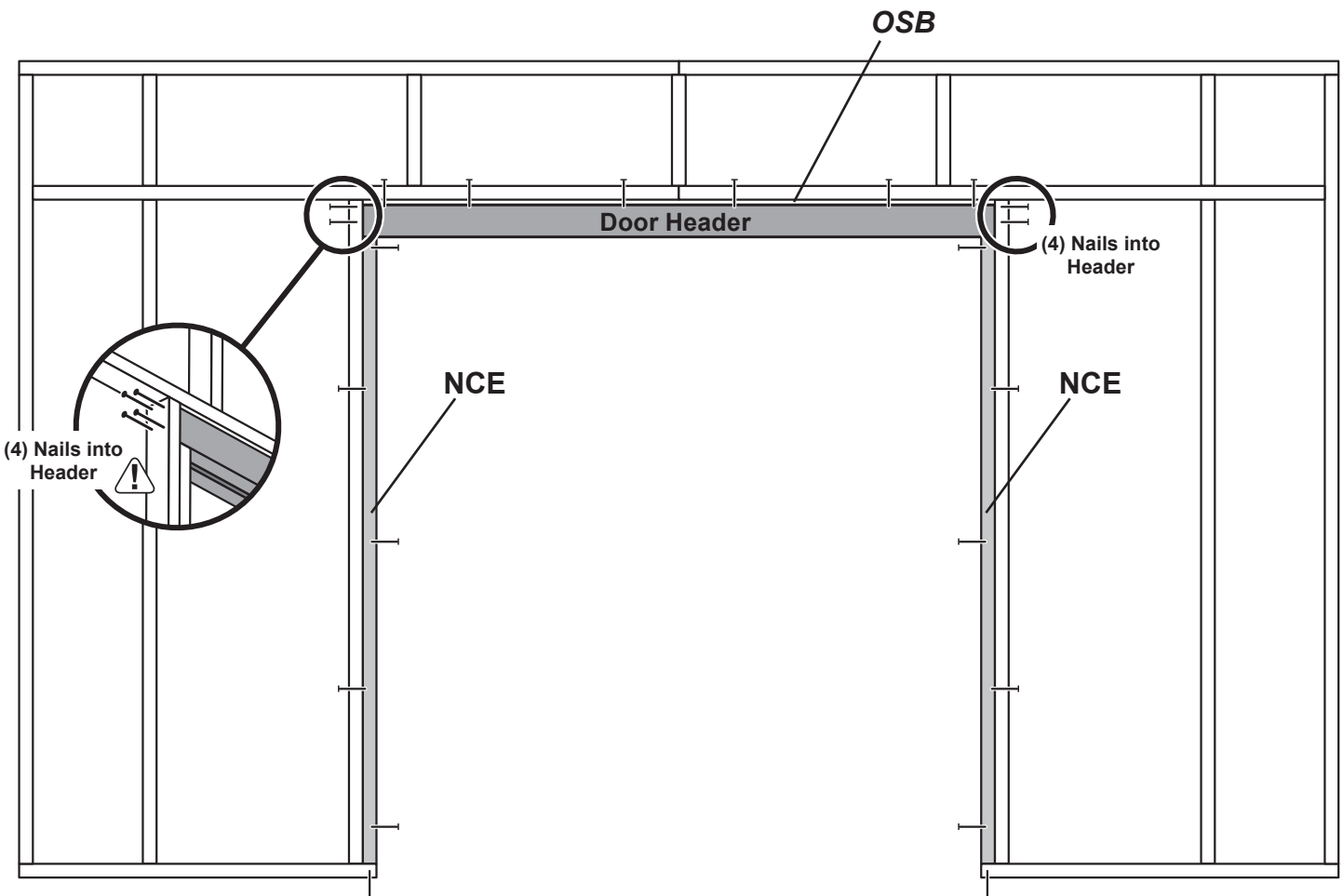
PARTS REQUIRED:

- x1 Pre-Assembled Door Header
4" x 67" (170,2 cm)
- x2 **NCE**
2 x 4 x 68-9/16" (5,1 x 10,2 x 174,1 cm)

x56  3" (7,6 cm)



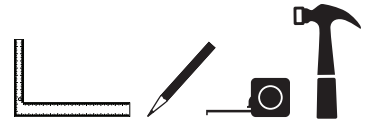
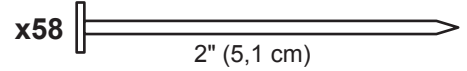
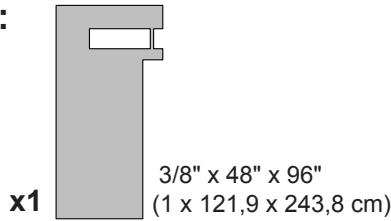
- 3 Install door header with **OSB** to the top of header. Secure header with 3" nails at locations shown.
- 4 Orient parts **NCE** on edge as shown. Secure with (2) 3" nails at locations shown. Secure with (4) 3" nails into each side of header.



Your front wall frame is now complete.

FRONT WALL PANELS

PARTS REQUIRED:

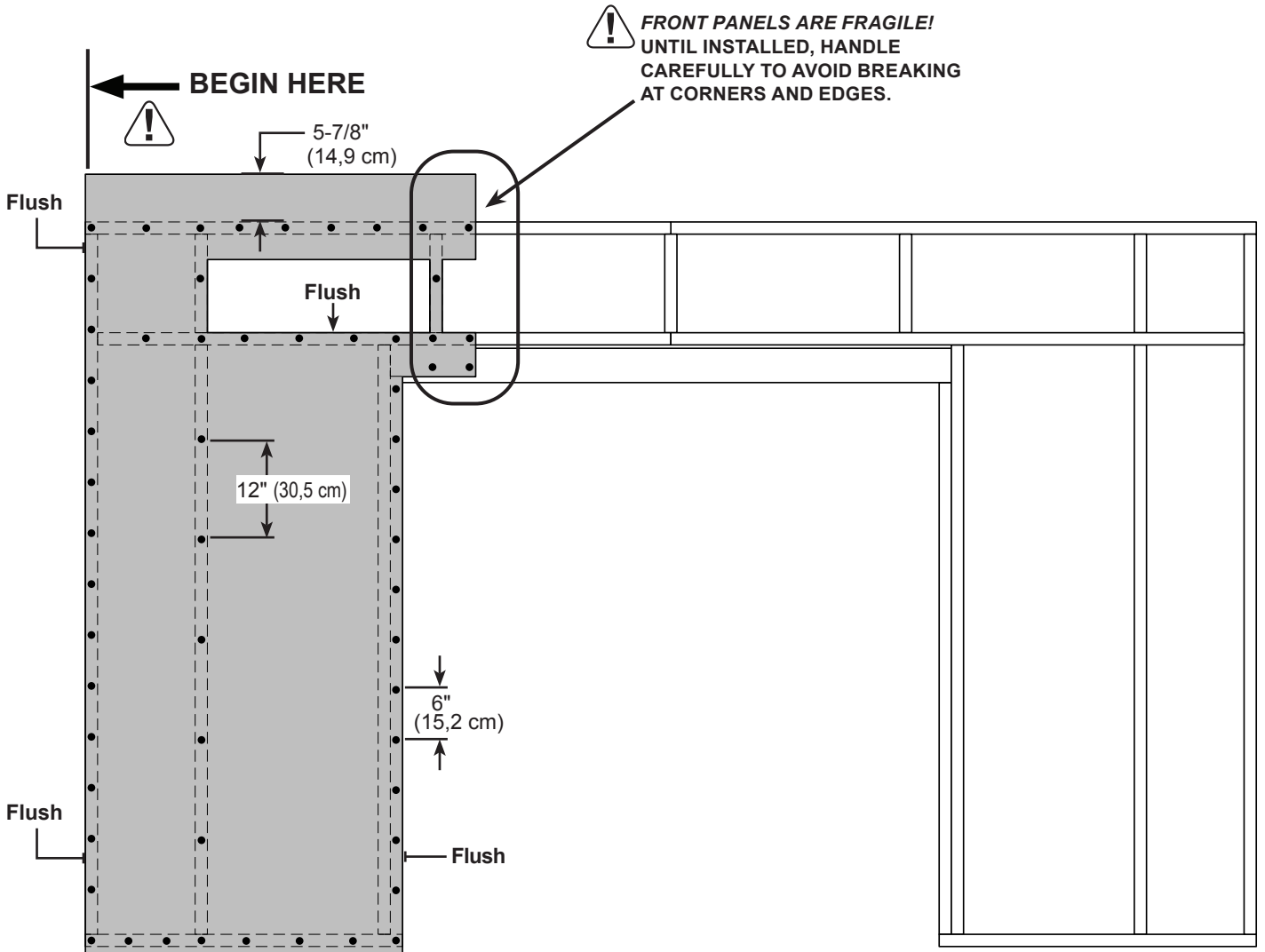


Install all panels with the primed side facing up.

Handle panels with care to avoid breakage.

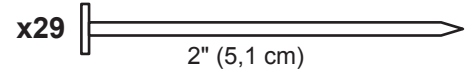
✓ **BEGIN**


- 1** Install first 48" x 96" panel 5-7/8" above top plate.
Secure panel with 2" nails spaced 6" apart along edges and 12" apart on inside of panels.
There will be a 5-7/8" reveal at the top.





FRONT WALL PANELS

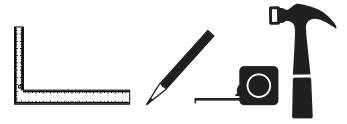
PARTS REQUIRED:



x1 
 3/8" x 1-1/2" x 9"
 (1 x 3,8 x 22,9 cm)

x1 
 3/8" x 4-1/2" x 48"
 (1 x 11,4 x 121,9 cm)

x1 
 3/8" x 10-7/16" x 48"
 (1 x 26,5 x 121,9 cm)

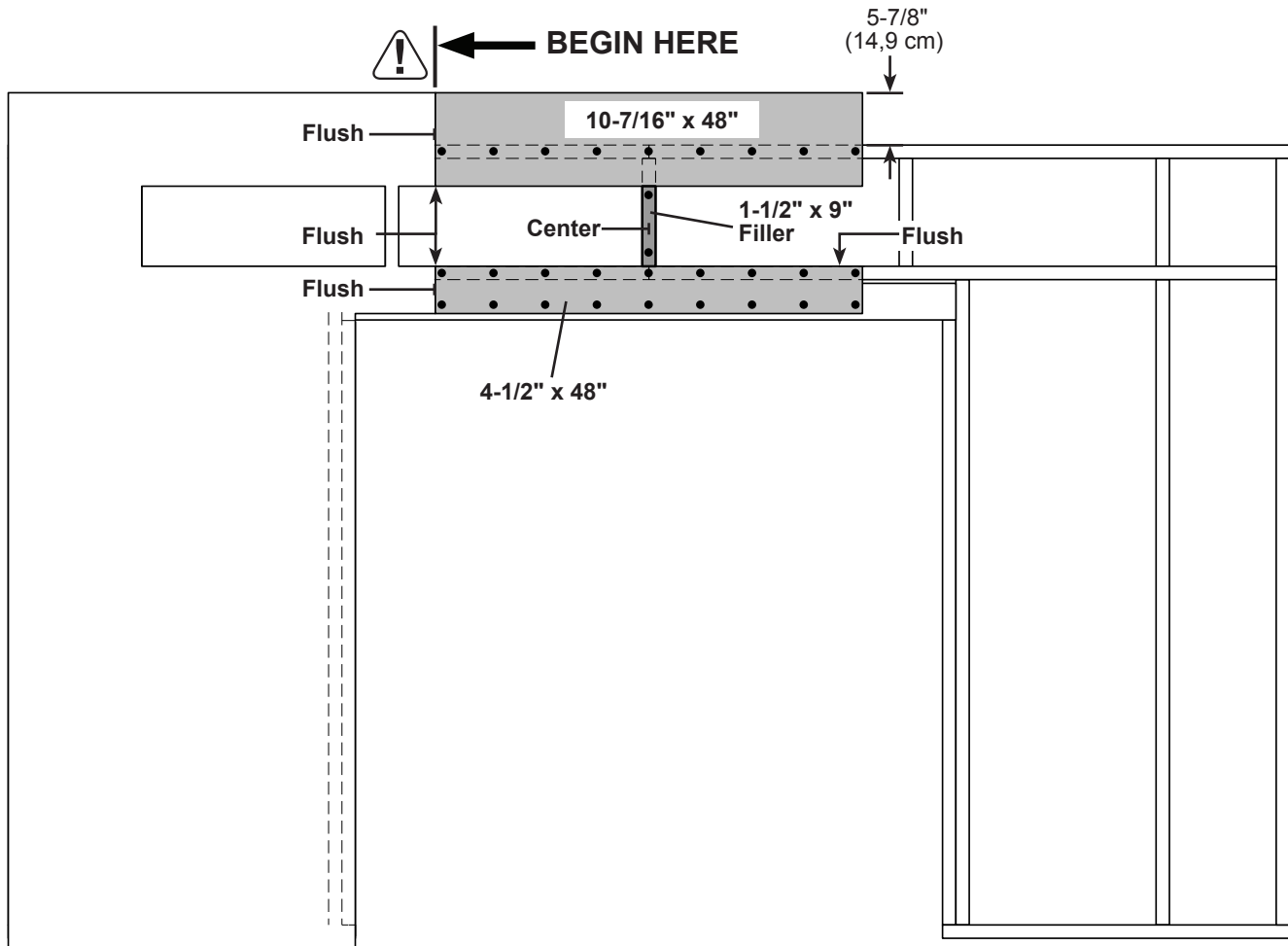


2 Install panels in the following order:

1. 10-7/16" x 48"
2. 1-1/2" x 9"
3. 4-1/2" x 48"

Secure panels with 2" nails spaced 6" apart.

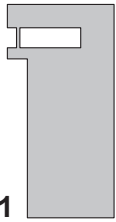
There will be a 5-7/8" reveal at the top of upper panel.




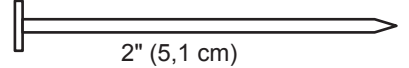
FRONT WALL PANELS

PARTS REQUIRED:

x1 **OY Temporary Brace**
2 x 3 x 72" (5,1 x 7,6 x 182,8 cm)

x1  3/8" x 48" x 96"
(1 x 121,9 x 243,8 cm)

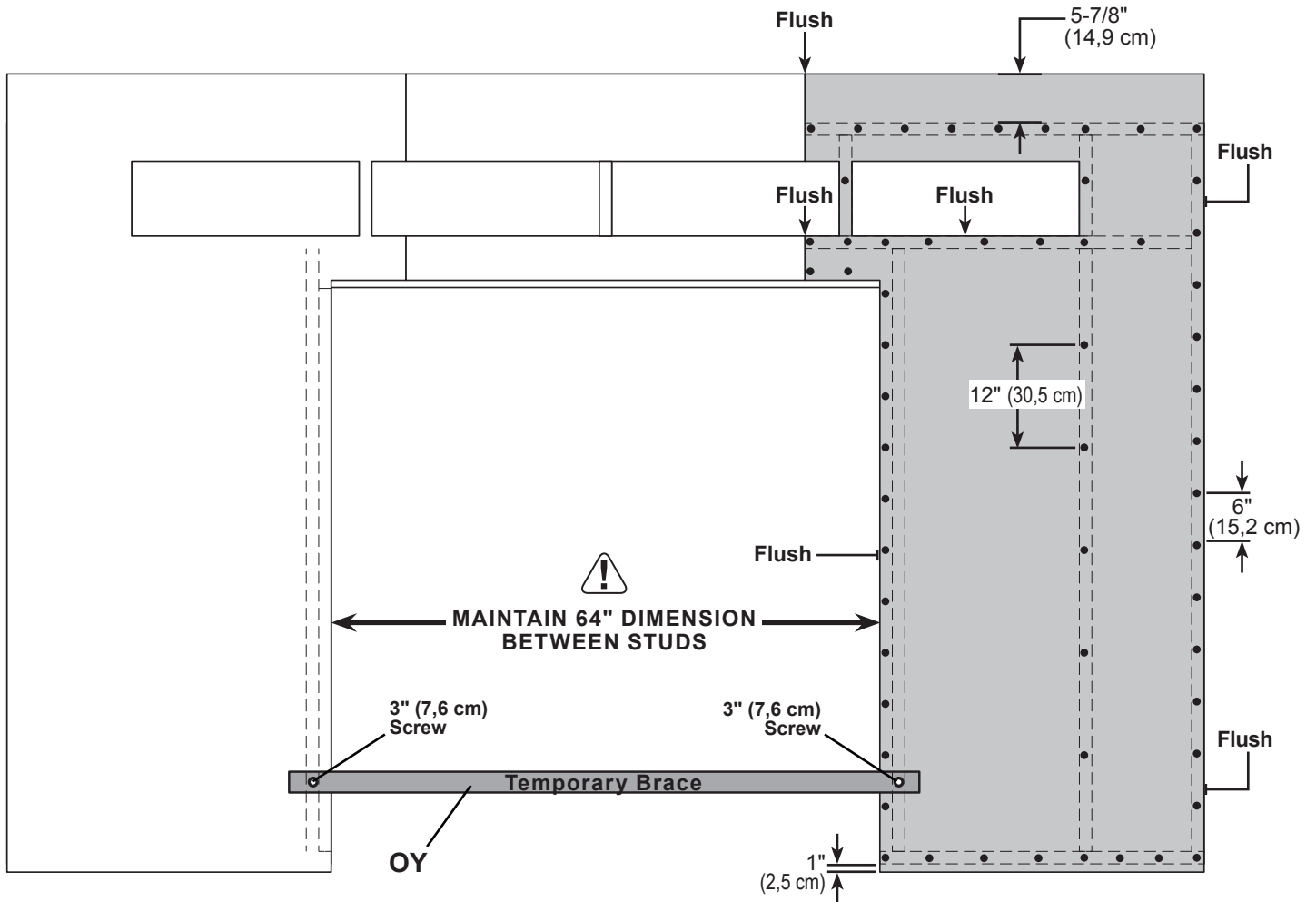
x2  3" (7,6 cm)

x58  2" (5,1 cm)



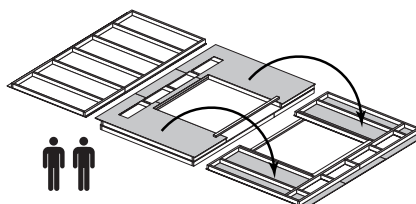
4 Install 2nd **48" x 96"** panel flush to frame as shown and 5-7/8" from the top.
Secure panel with 2" nails spaced 6" apart along edges and 12" apart on inside of panels.

5 Install **OY** as a temporary brace to maintain 64" (162,6 cm) between studs.
Secure with (2) 3" screws.



Your front wall is now assembled.

Carefully flip the front wall over.



BACK WALL INSTALLATION

PARTS REQUIRED:

x1 **GKA** **TEMPORARY**
 2 x 3 x 59-1/4" (5,1 x 7,6 x 150,5 cm)



x2 3" (7,6 cm)

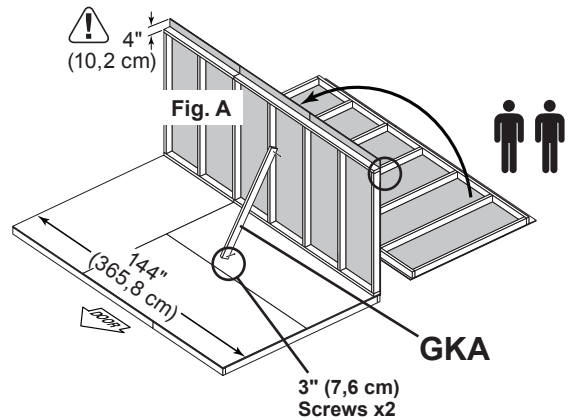
x12 3" (7,6 cm)

x27 2" (5,1 cm)

✓ BEGIN

1 Center back wall assembly on the 144" floor dimension.

Note: The 4" wall overhang is installed to the top.



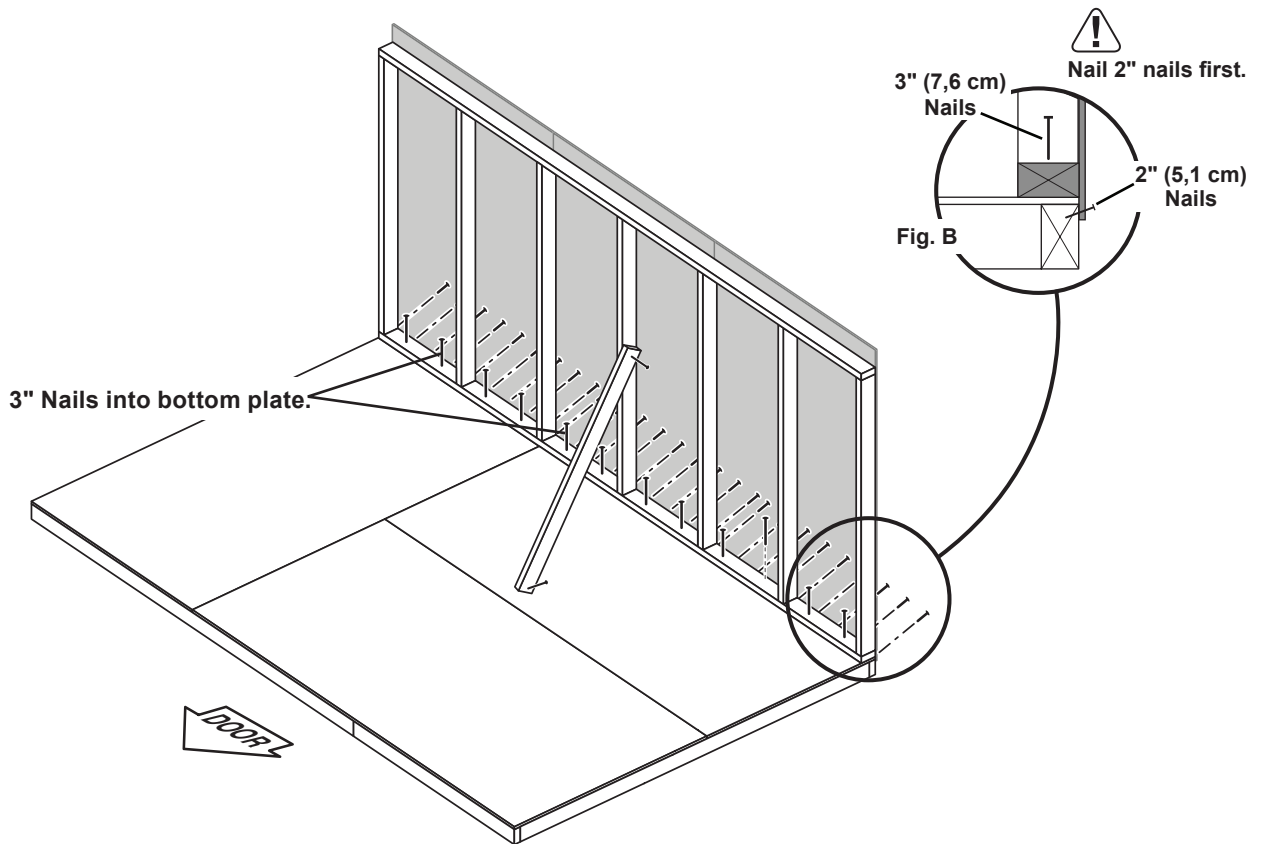
2 Use GKA as a temporary brace.

Secure GKA with (2) 3" screws (Fig. A).

3 First, nail lower edge of panel to floor frame with 2" nails spaced 6" apart.

Angle nail to hit floor frame (Fig. B).

4 Secure back wall bottom plate to floor with 3" nails (Fig. B).



Your back wall is now standing.

FRONT WALL INSTALLATION

PARTS REQUIRED

x2 **OFB** **TEMPORARY**
 2 x 4 x 78-1/16" (5,1 x 10,2 x 198,3 cm)



x4 3" (7,6 cm)

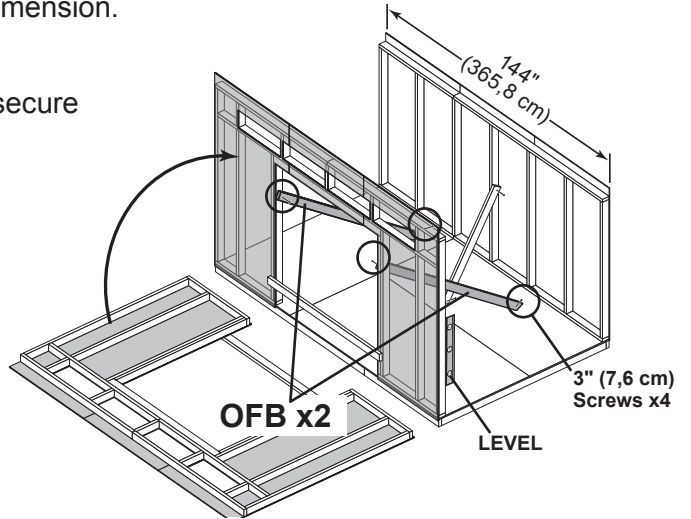
x8 3" (7,6 cm)

x14 2" (5,1 cm)

✓ BEGIN

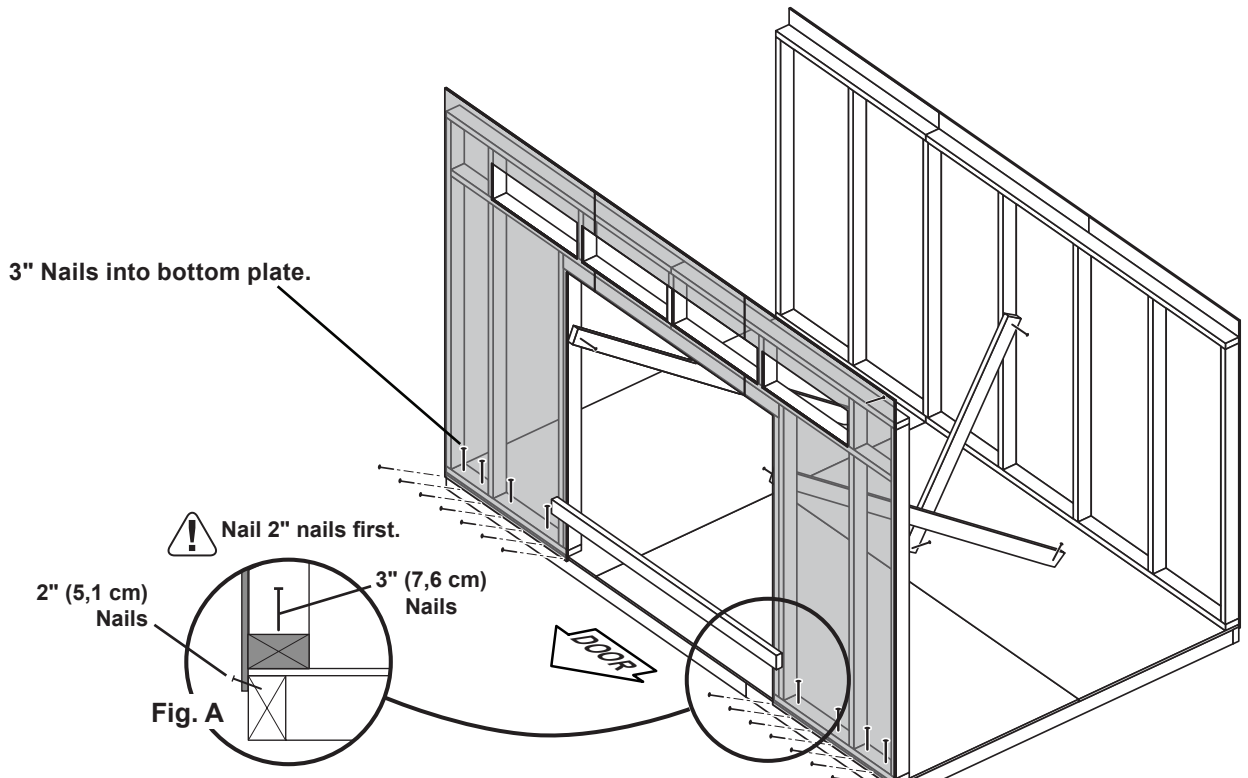
1 Center front wall assembly on the 144" front floor dimension.

2 Use (2) **OFB** as temporary braces. Level wall and secure **OFB** with 3" screws.



3 Secure lower edge of panel to floor frame with 2" nails spaced 6" apart. Angle nail to hit floor frame (**Fig. A**).

Secure wall bottom plates to floor with 3" nails (**Fig. A**).



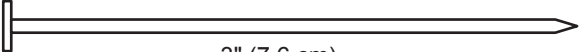
Your front wall is now standing.

DOUBLER INSTALLATION

PARTS REQUIRED:

x2 **SP**
2 x 4 x 48" (5,1 x 10,2 x 122 cm)

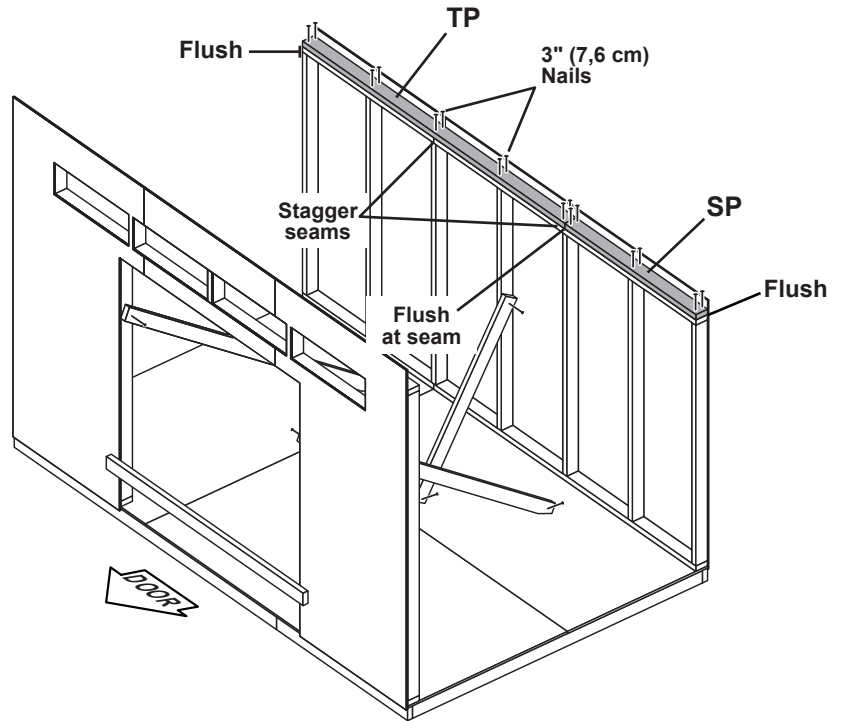
x2 **TP**
2 x 4 x 96" (5,1 x 10,2 x 243,8 cm)

x32  3" (7,6 cm)

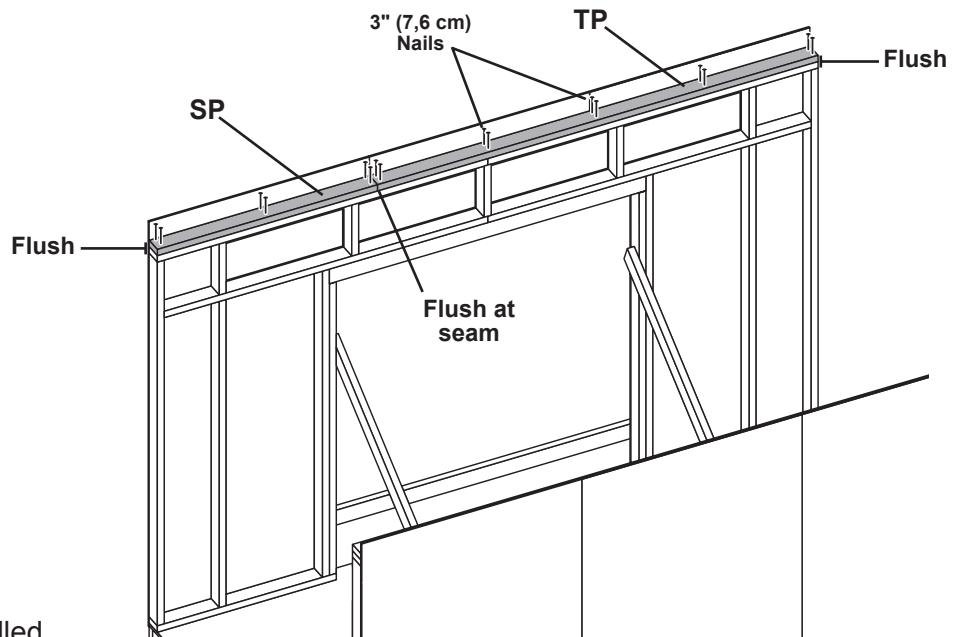


✓ BEGIN

- 1 Center doublers **SP** and **TP** on back wall top plate.
Secure using 3" nails evenly spaced.



- 2 Center doublers **SP** and **TP** on front wall top plate.
Secure using 3" nails evenly spaced.



Your doublers are now installed.

OUTER RAFTER INSTALLATION

PARTS REQUIRED:

x2 **SDC**
2 x 4 x 92-3/16" (5,1 x 10,2 x 234,2 cm)

x4 3" (7,6 cm) Screw

x4 2" (5,1 cm) Screw

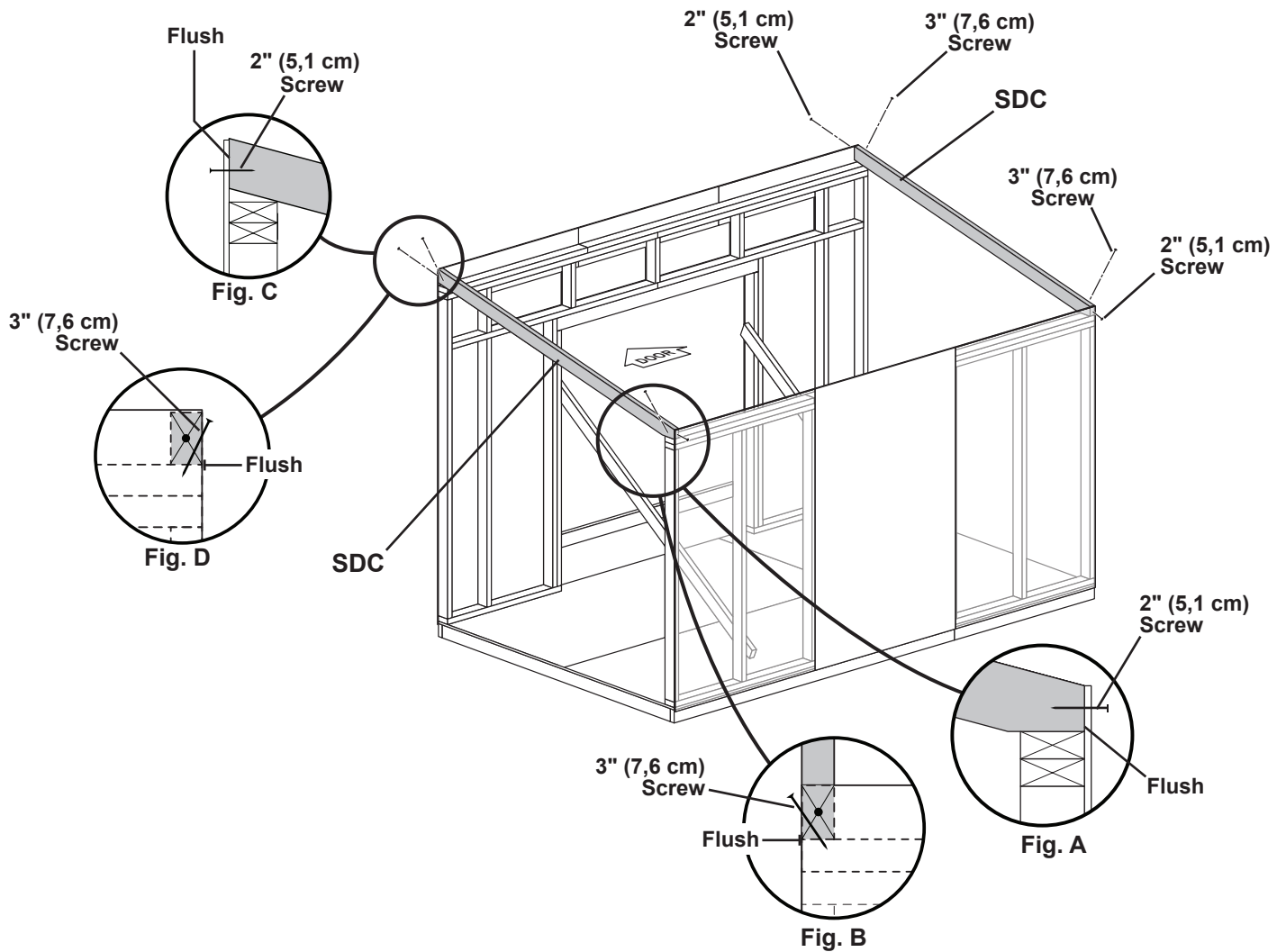


✓ **BEGIN**

1 Install rafters on front and back wall doublers.

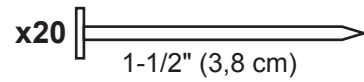
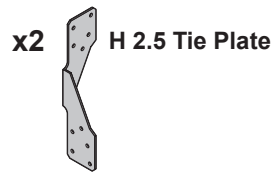
Ensure rafters are flush to end of top plates (**Fig. B, Fig. D**).

Secure rafters as shown in all Figures.

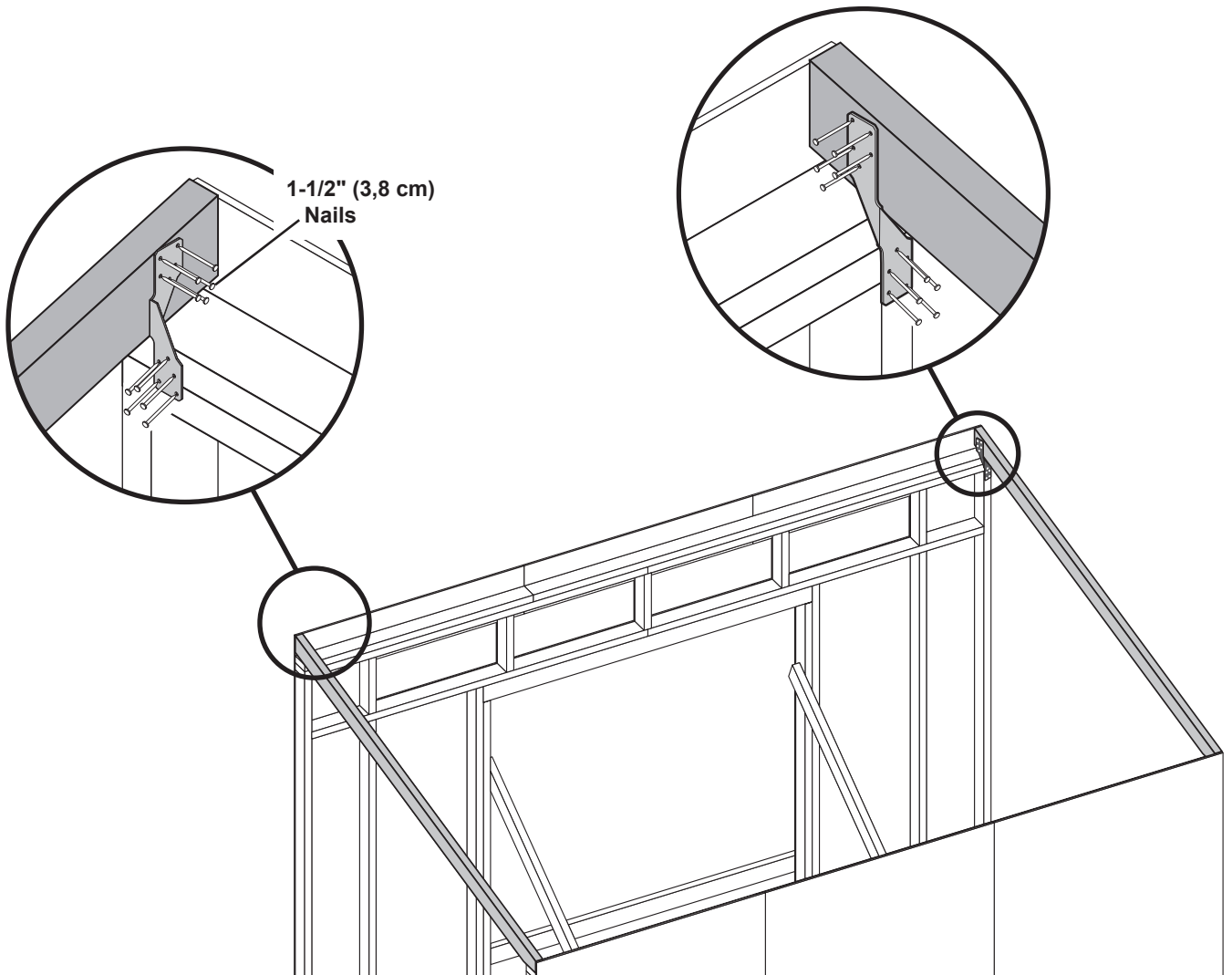


OUTER RAFTER INSTALLATION

PARTS REQUIRED:



2 Attach tie plates using 1-1/2" nails as shown.




Your outer rafters are now installed.

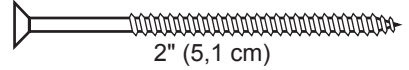
RAFTERS

PARTS REQUIRED:

x9 **SDC**
2 x 4 x 92-3/16" (5,1 x 10,2 x 234,2 cm)

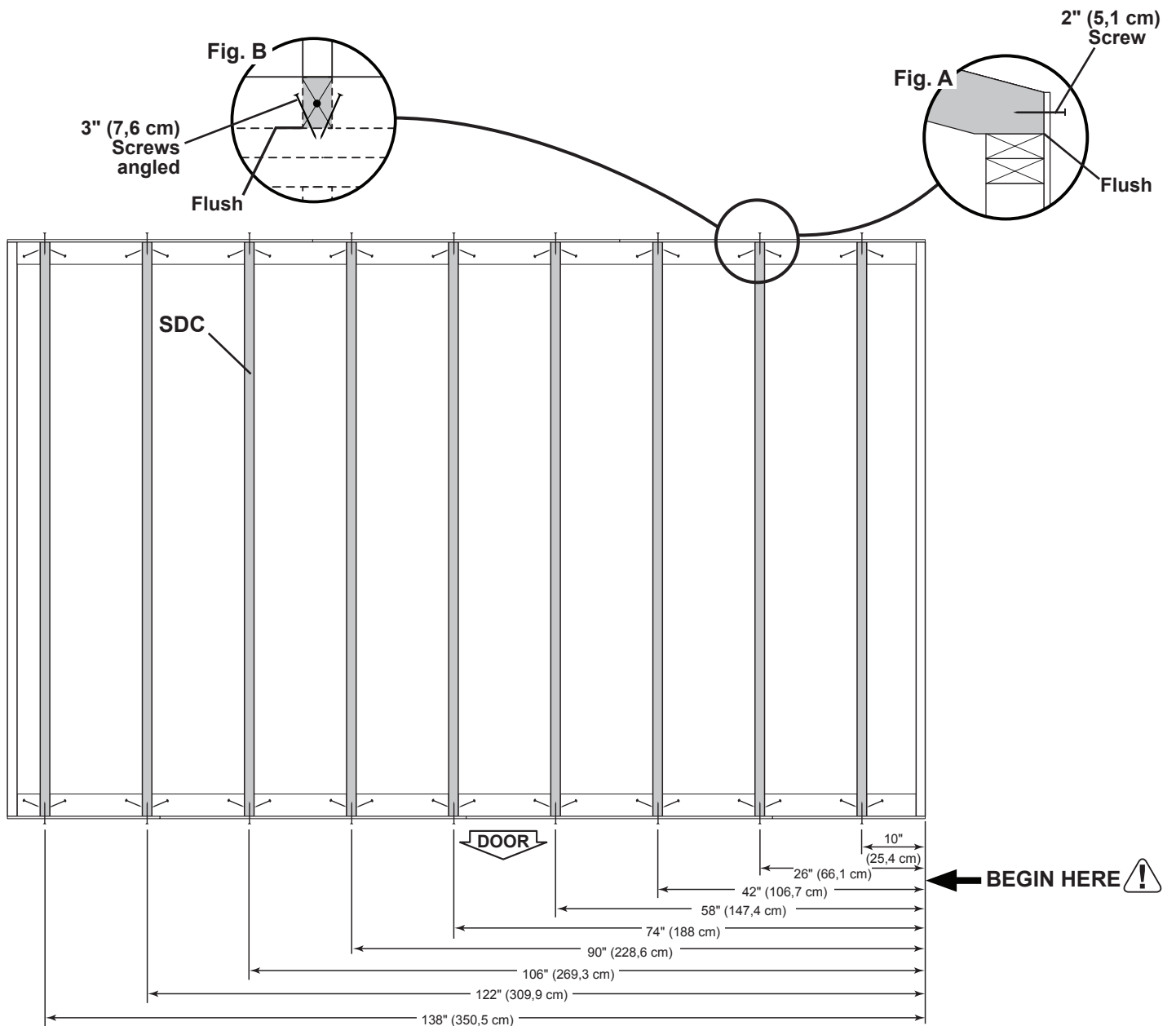
x36  3" (7,6 cm)



x18  2" (5,1 cm)

✓ BEGIN

- 1 Measure and mark location of each rafter. **Note the door location.**
- 2 Center rafters on marks. Secure rafters using 2" screws installed centered into outer rafter ends (**Fig. A**).
Continue securing rafters using 3" screws angled into doublers (**Fig. B**).



RAFTERS

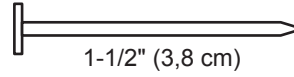
PARTS REQUIRED:

x9



H 2.5 Tie Plate

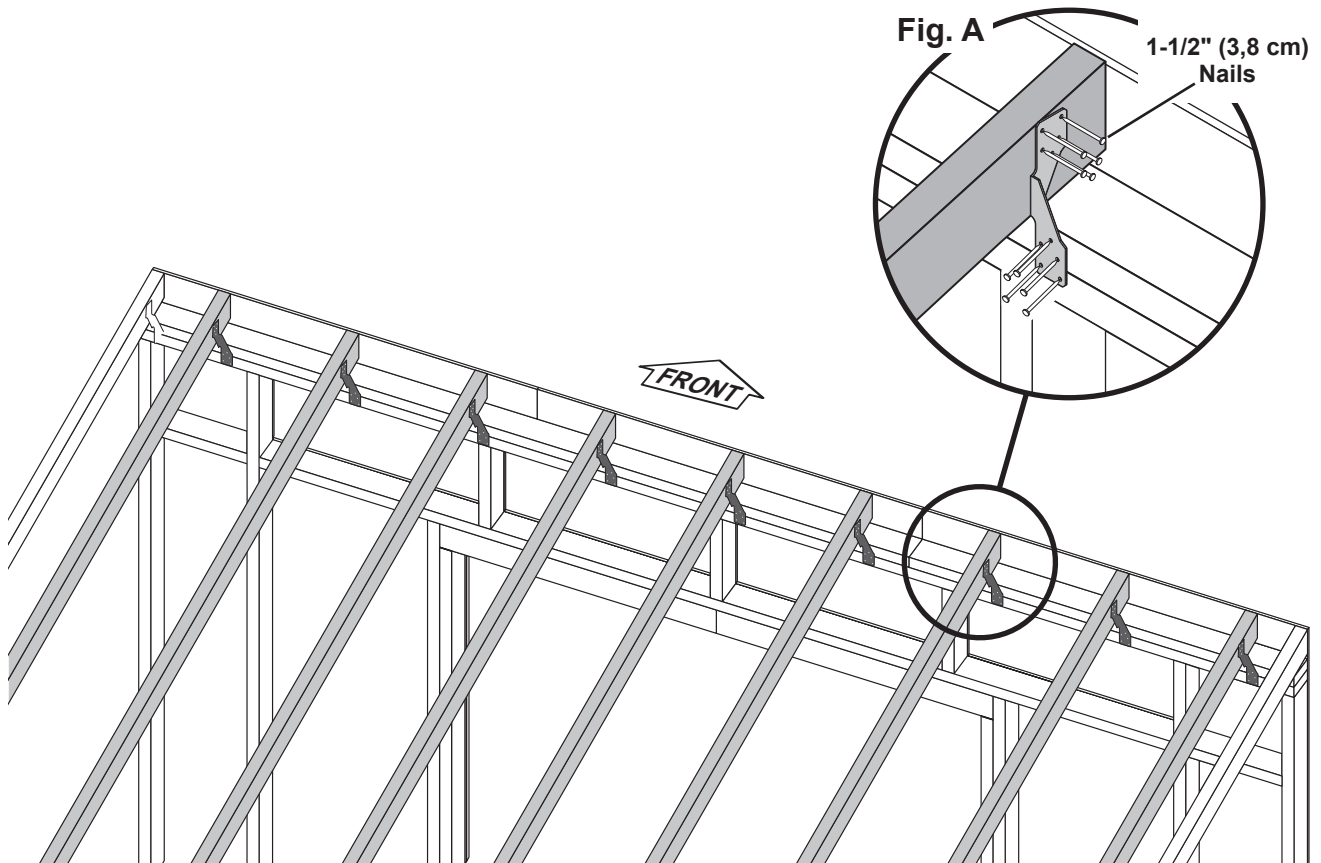
x90



1-1/2" (3,8 cm)



3 Attach (9) tie plates using 1-1/2" nails as shown (Fig. A).





Your rafters are now installed.


SIDE WALL PANELS


PARTS REQUIRED:

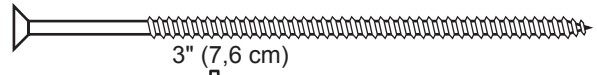
x1 **OO** TEMPORARY SUPPORT
1-1/4 x 2-1/2 x 69" (3,2 x 6,3 x 175,3 cm)

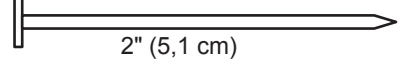
x1 
3/8" x 42" x 96"
(1 x 106,7 x 243,8 cm)

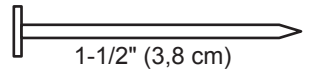
x1 
3/8" x 42" x 96"
(1 x 106,7 x 243,8 cm)

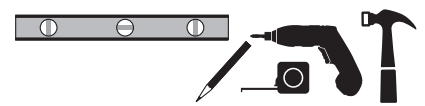
x1 
3/8" x 48" x 84"
(1 x 121,9 x 213,4 cm)

x1 
3/8" x 48" x 84"
(1 x 121,9 x 213,4 cm)

x2 
3" (7,6 cm)

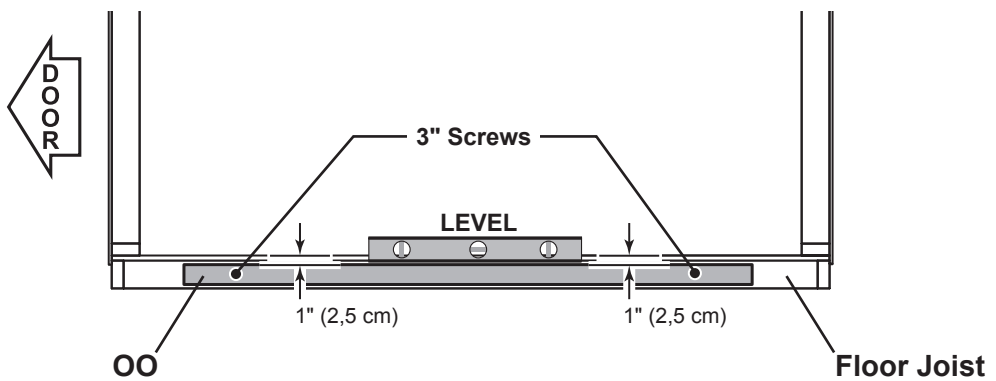
x2 
2" (5,1 cm)

x1 
1-1/2" (3,8 cm)

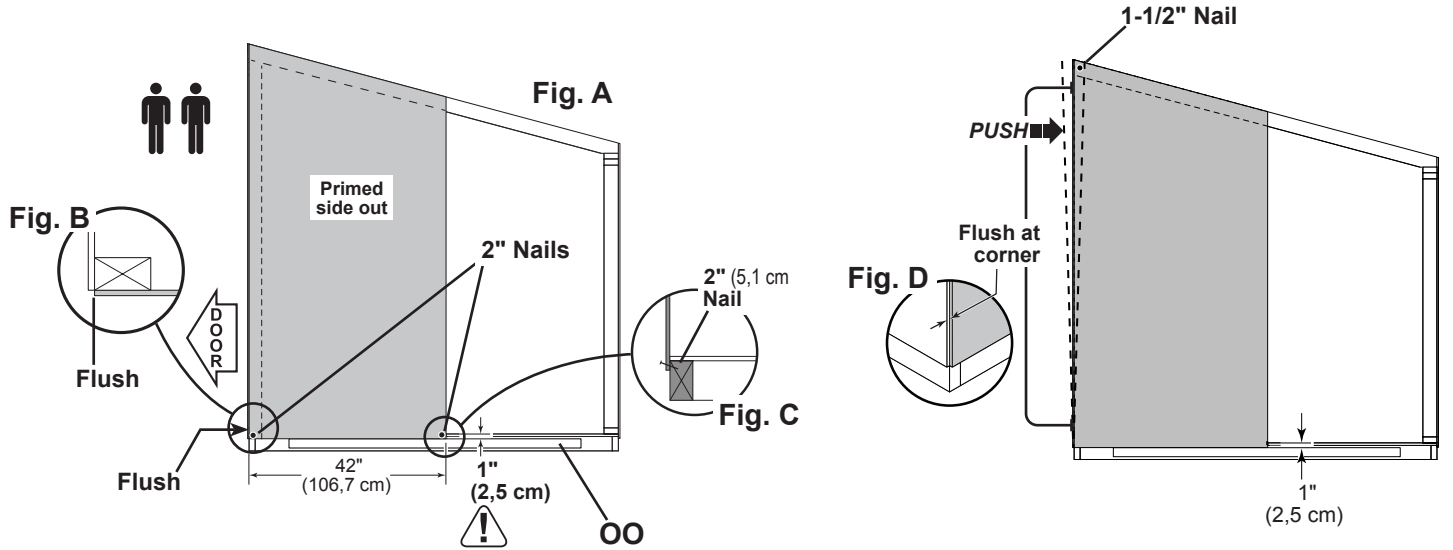


✓ BEGIN

- Center and attach **OO** as a temporary support. Measure down from floor 1" and mark. Secure to floor joist using (2) 3" screws.

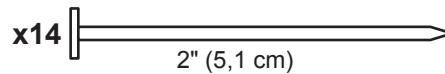
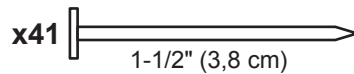


- Place 42" x 96" front panel on temporary brace **OO** and flush with front wall stud (**Fig. B**). Secure panel with (2) 2" nails in the bottom corners (**Fig. A**). Angle nails to hit floor frame (**Fig. C**).
- Push the front and/or back wall until front and side wall panels are flush along the corner (**Fig. B, Fig. D**). Secure upper corner with (1) 1-1/2" nail into rafter.



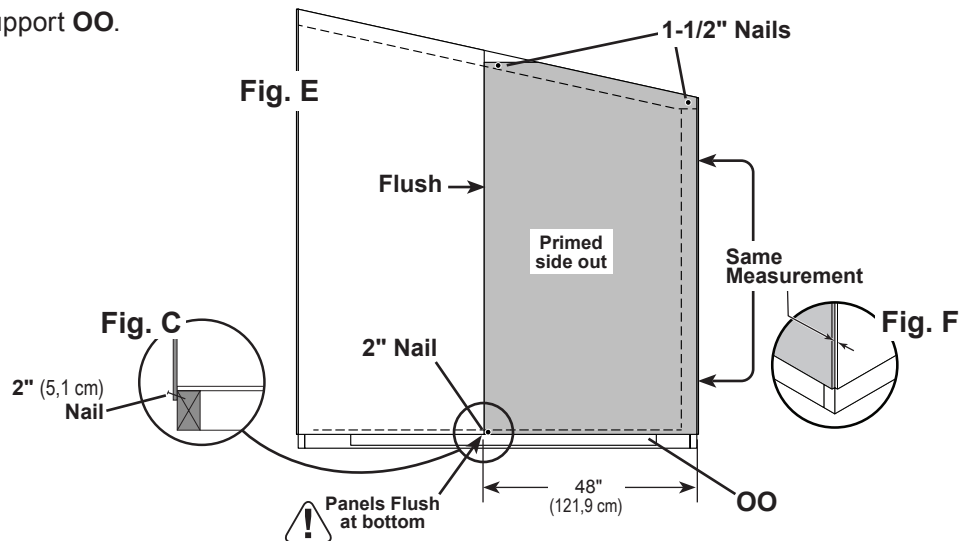
SIDE WALL PANELS

PARTS REQUIRED:

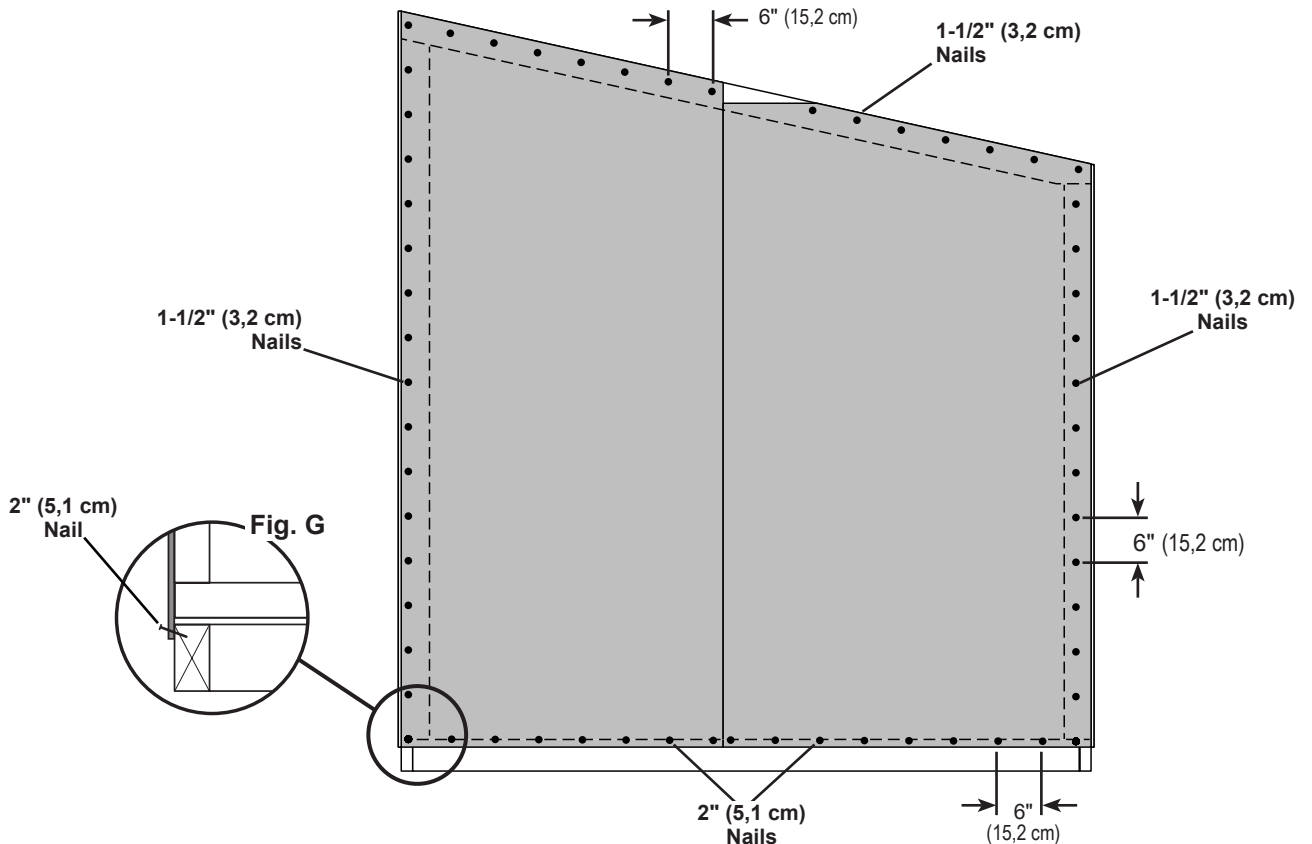


- 4** Place **48" x 84"** panel onto side wall flush with bottom of installed **42" x 96"** panel.
Secure panel with (1) 2" nail in bottom corner (**Fig. C**). Ensure the measurement between the panel edges are the same along the corner (**Fig. F**). Secure panel with (1) 1-1/2" nail in upper corner.

Remove temporary support **OO**.



- 5** Secure lower edge of panels to floor with 2" nails spaced 6" apart. Angle nails to hit floor frame (**Fig. G**).
Secure side wall panels to rafter and wall studs with 1-1/2" nails spaced 6" apart, as shown.



Repeat STEPS 1 - 5 to attach the opposite side panels.

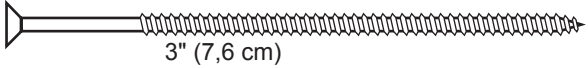
SIDE WALL STUDS

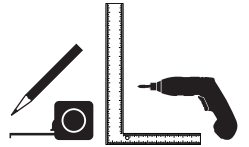
PARTS REQUIRED:

x2 **OFB**
2 x 4 x 78-1/16" (5,1 x 10,2 x 198,3 cm)

x2 **NES**
2 x 4 x 82-1/2" (5,1 x 10,2 x 209,6 cm)

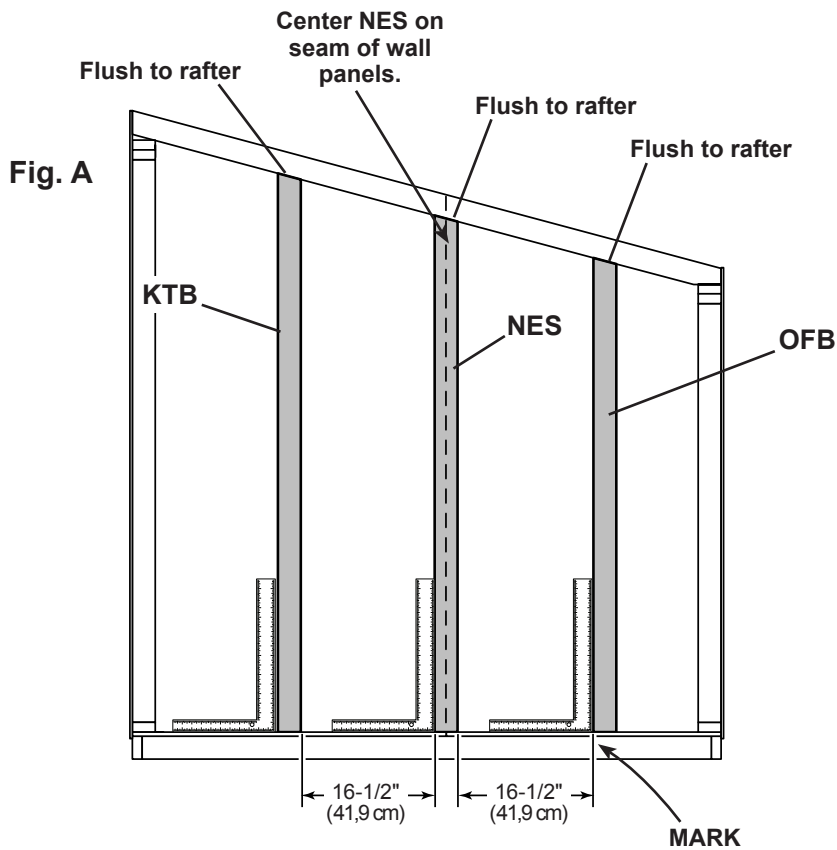
x2 **KTB**
2 x 4 x 86-15/16" (5,1 x 10,2 x 220,8 cm)

x18  3" (7,6 cm)

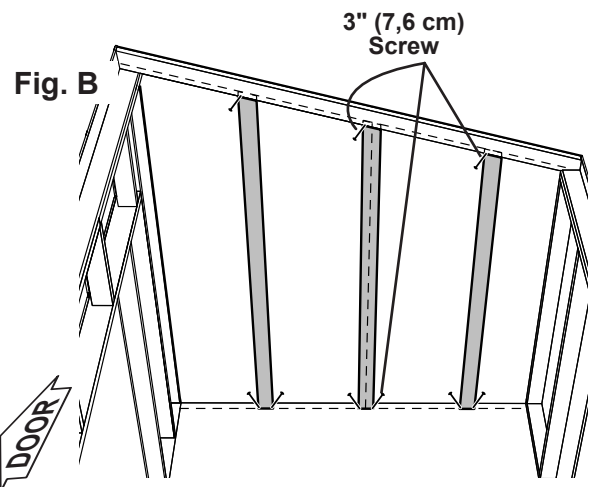


✓ **BEGIN**

- 1 Install **NES** centered at seam of side wall panels (**Fig A**).
Use a square to ensure 90 degree squareness of studs (**KTB**, **NES** and **OFB**).



- 2 Mark locations of studs and ensure studs are at 90 degree angle to floor and flush to end rafter.
Secure studs using 3" screws into rafter and floor frame (**Fig B**).



- 3 Repeat steps 1 - 2 to attach the opposite side side wall studs.

SIDE WALL PANELS

PARTS REQUIRED:

x1 (Left / Green)
3/8" x 2-11/16" x 12-1/4" (1,5 x 6,8 x 31,1 cm)

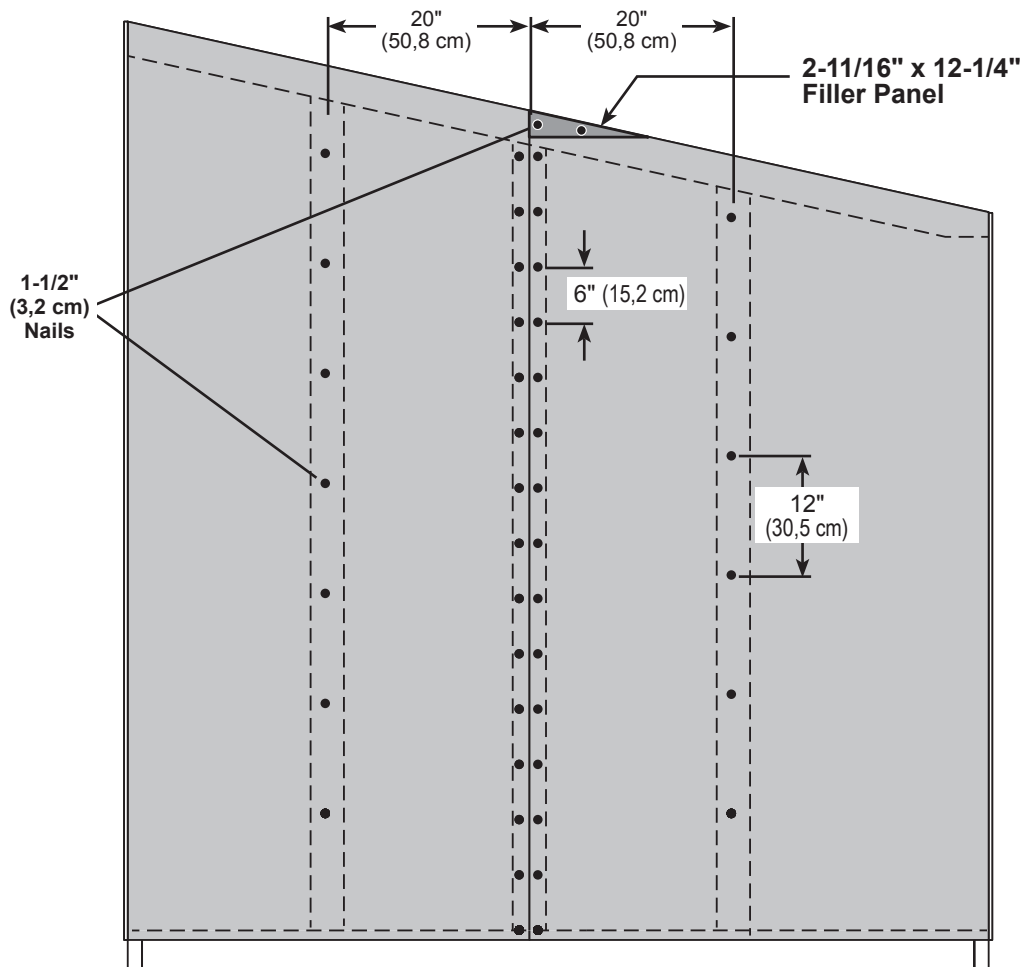
x1 (Right / Red)
3/8" x 2-11/16" x 12-1/4" (1,5 x 6,8 x 31,1 cm)

x94 1-1/2" (3,8 cm)



BEGIN

- 1 Install **2-11/16" x 12-1/4"** triangular filler panel with (2) 1-1/2" nails.
Flush filler panel to installed panels (*Red for right side*) as shown.
- 2 Measure and mark location of studs 20" from center of panel seam as shown.
Secure side wall panels to inside wall studs with 1-1/2" nails spaced 6" apart along panel seam and 12" apart in middle of panels.




Repeat STEPS 1 - 2 to secure the opposite side wall panels.





Your side walls are now completed.

ROOF PANELS

PARTS REQUIRED:

x1  7/16 x 10-11/16 x 28"
(1,1 x 27,1 x 71,1 cm)

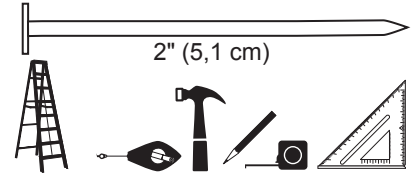
x1  7/16 x 10-11/16 x 96"
(1,1 x 27,1 x 243,8 cm)

x1  7/16 x 10-11/16 x 31-7/8"
(1,1 x 27,1 x 81 cm)

x26

2" (5,1 cm)


3/4" GAUGE
BLOCK



Roof panels may cause serious injury until securely fastened.

Install all panels with the rough side up (painted-grid lines side).



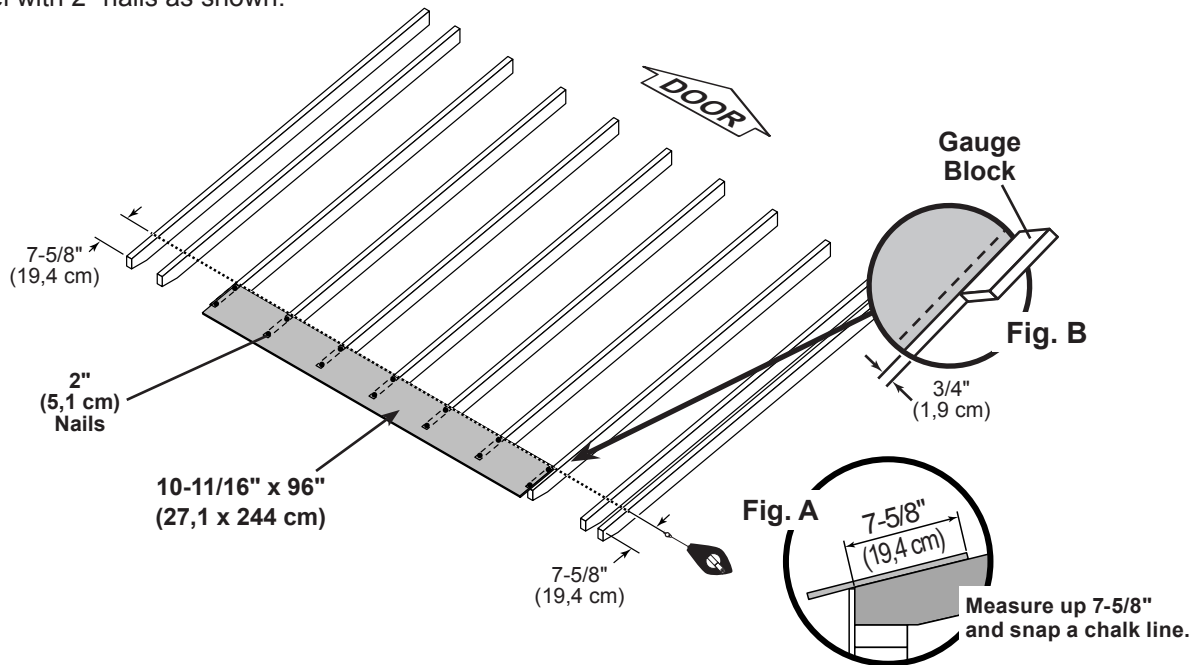
✓ BEGIN

1 Measure 7-5/8" up from rafter ends and snap a chalk line (Fig. A).

Install the 10-11/16" x 96" lower roof panel to the chalk line.

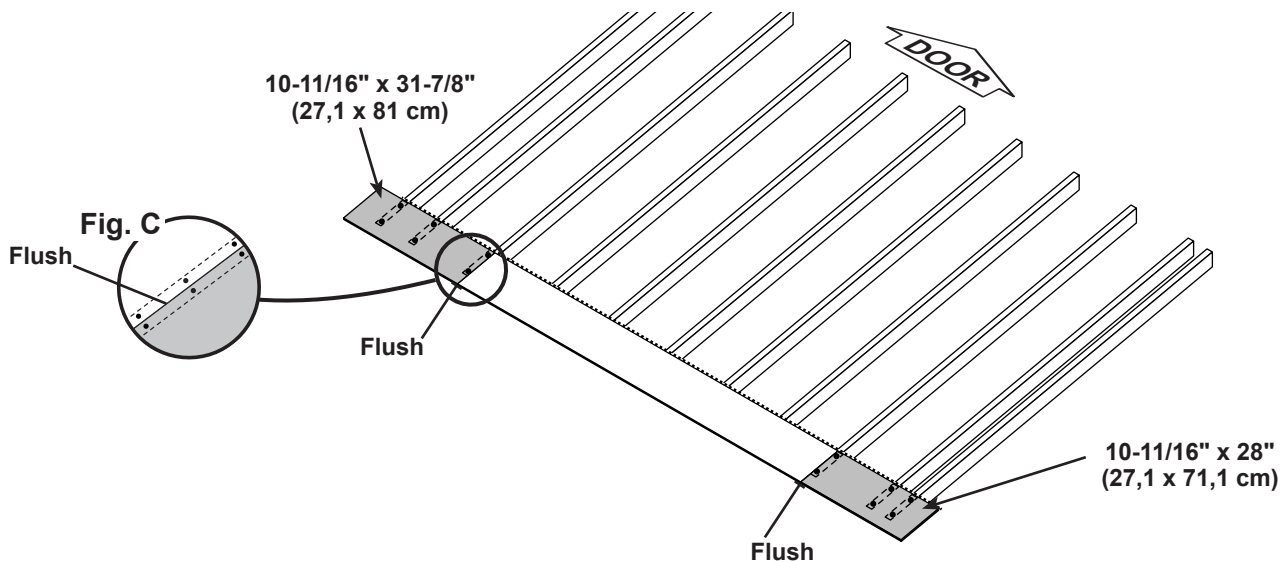
Ensure the panel measures 3/4" on the rafter center (Fig. B).

Secure panel with 2" nails as shown.



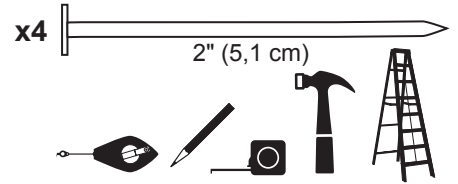
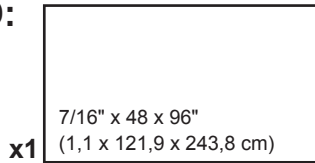
2 Place the 10-11/16" x 31-7/8" and 10-11/16" x 28" lower roof panels flush to the chalk line and installed panel (Fig C).

Secure panels using 2" nails as shown.



ROOF PANELS

PARTS REQUIRED:



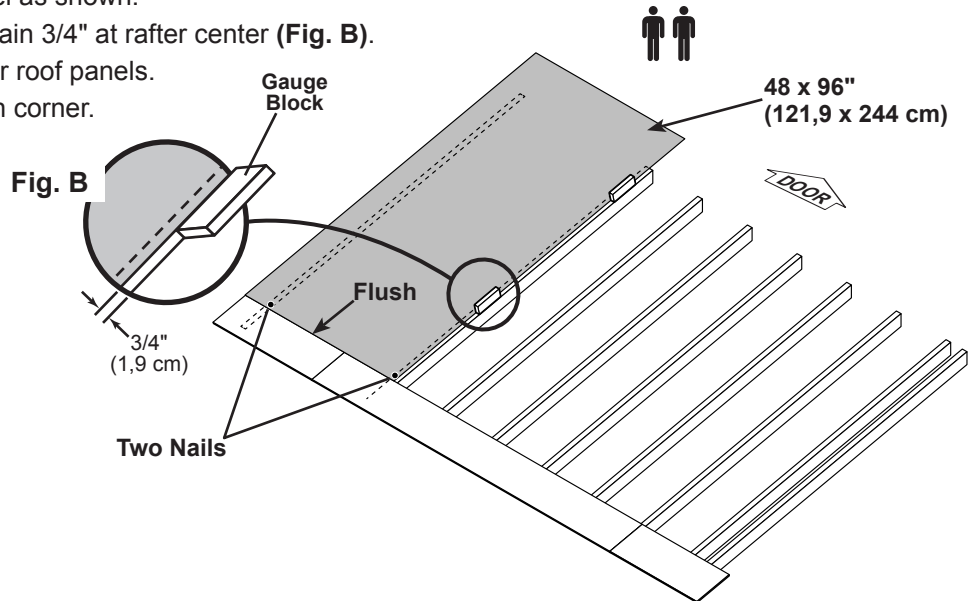
- 3** Square the roof by attaching one **48" x 96"** panel at this time.
Use the panel's long edge as a lever to bring your roof into square.

Place the **48" x 96"** roof panel as shown.

Use the gauge block to maintain 3/4" at rafter center (**Fig. B**).

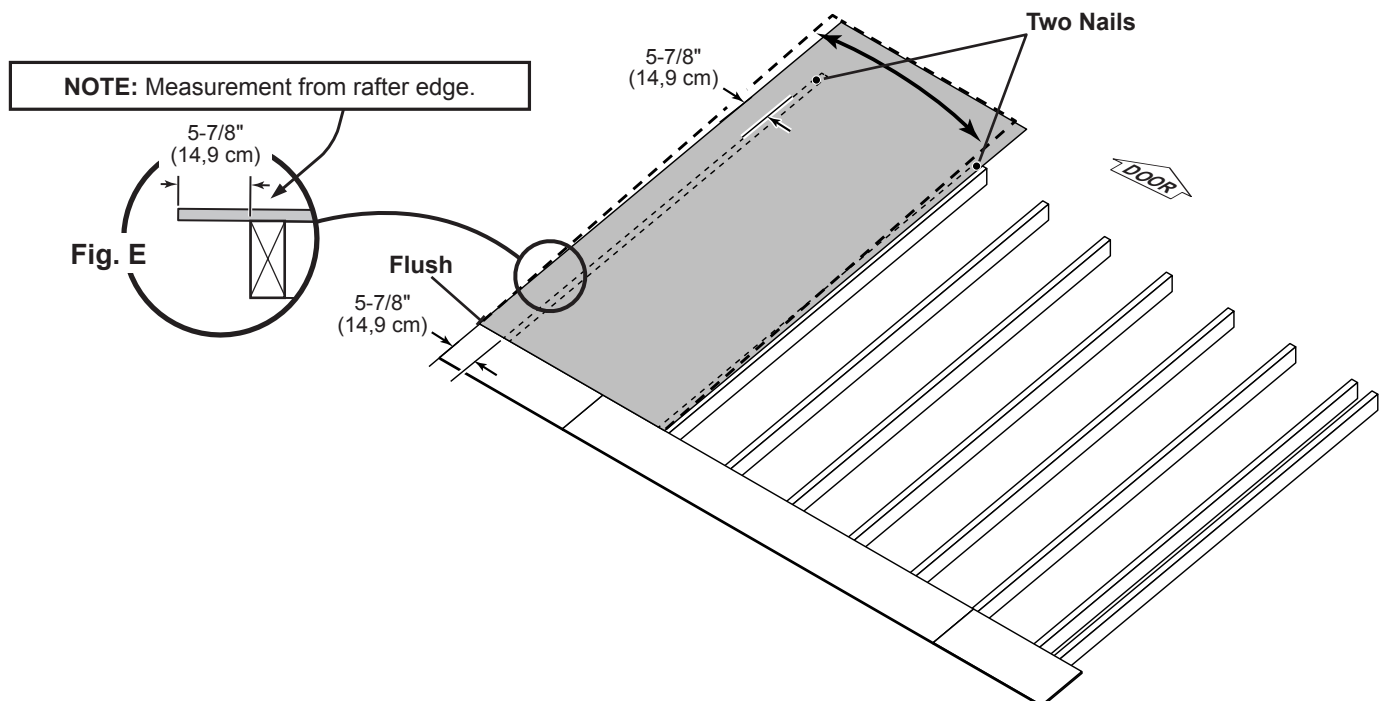
Panel should be flush to lower roof panels.

Secure with (1) 2" nail in each corner.




- 4** At the outside edge, use the long edge of the panel as a lever.
Move the panel side-to-side until the outside long edge is overhanging the outer rafter by 5-7/8" (**Fig E**).

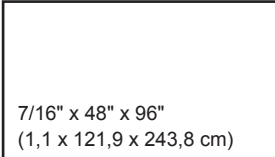
Secure with (1) 2" nail in each corner.



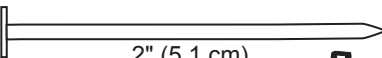
ROOF PANELS


PARTS REQUIRED:

x1 
 7/16" x 11-7/8" x 96"
 (1,1 x 30,2 x 243,8 cm)

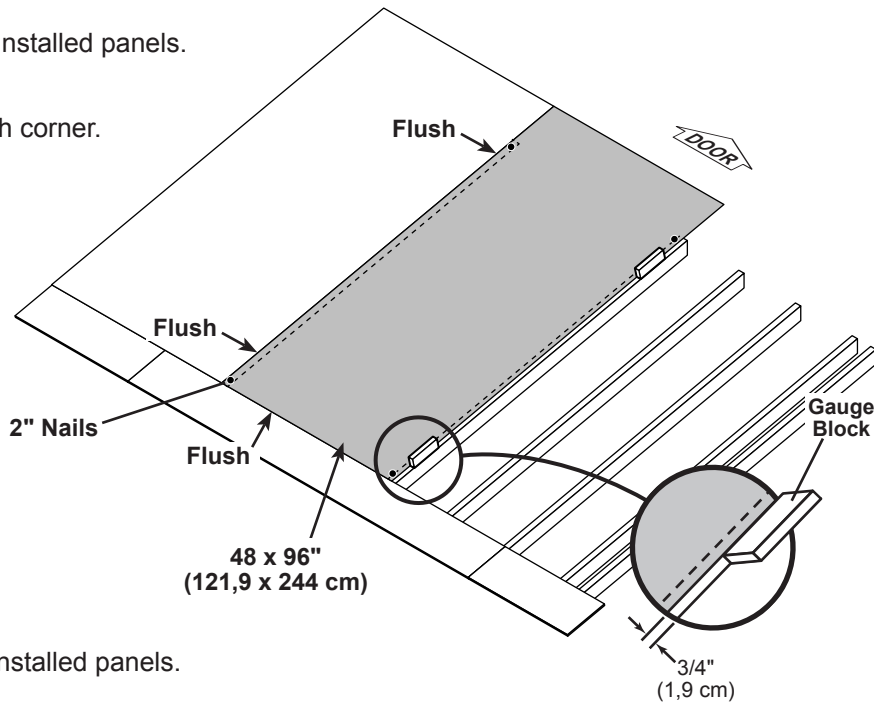
x2 
 7/16" x 48" x 96"
 (1,1 x 121,9 x 243,8 cm)


**3/4" GAUGE
 BLOCK**

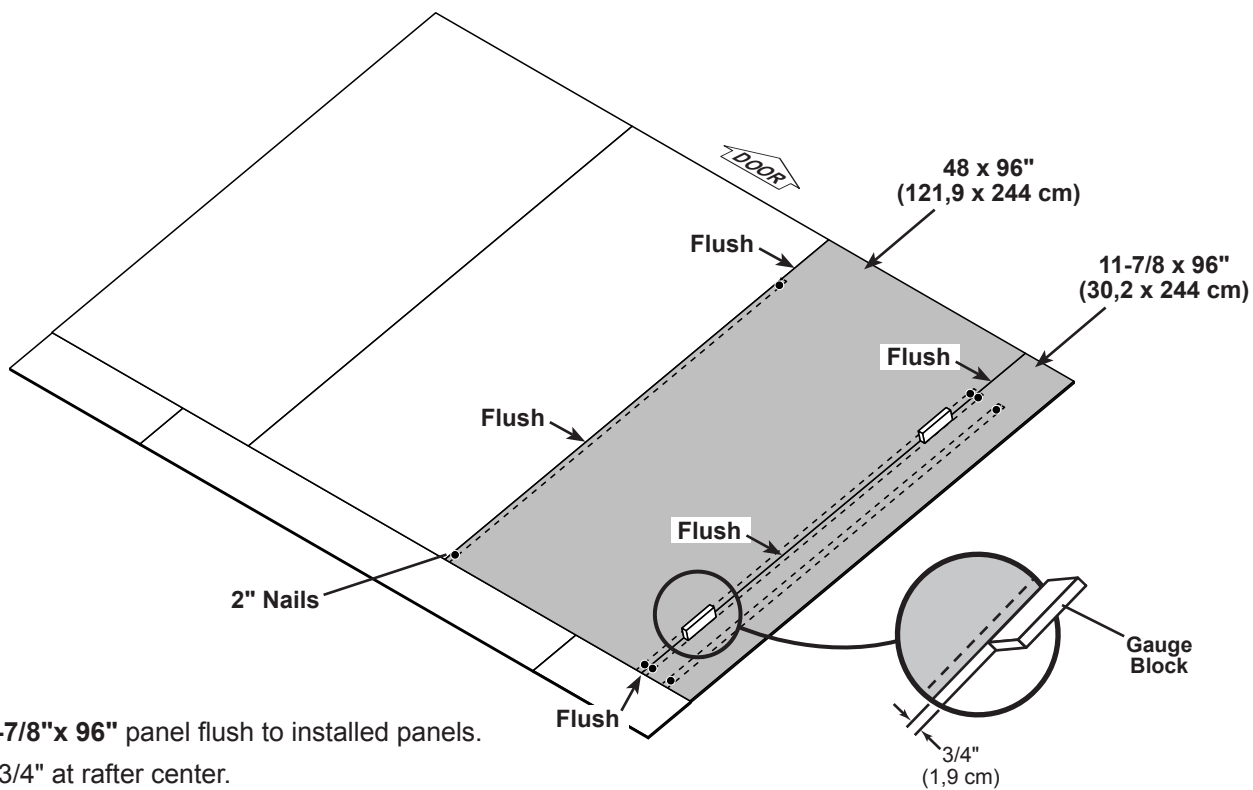
x12 
 2" (5,1 cm)



- 5** Install 2nd **48"x 96"** panel flush to installed panels.
 Maintain 3/4" at rafter center.
 Secure panel with (1) 2" nail in each corner.



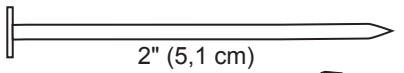
- 6** Install 3rd **48"x 96"** panel flush to installed panels.
 Maintain 3/4" at rafter center.
 Secure panel with (1) 2" nail in each corner.

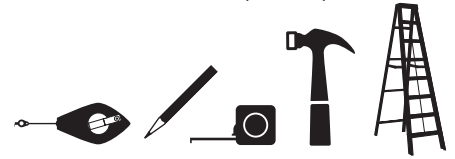


- 8** Install **11-7/8"x 96"** panel flush to installed panels.
 Maintain 3/4" at rafter center.
 Secure panels with (1) 2" nail in each corner.

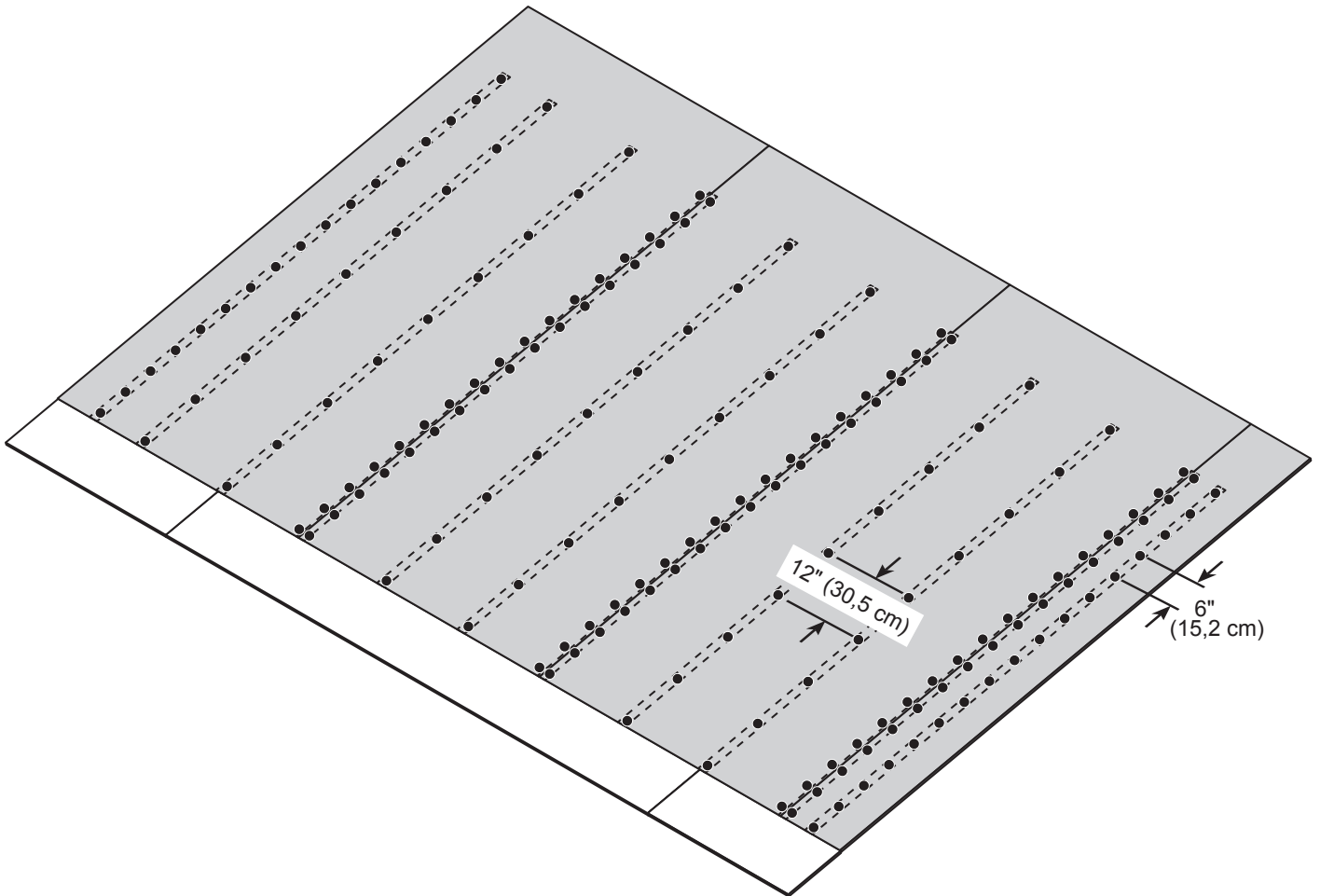
ROOF PANELS

PARTS REQUIRED:

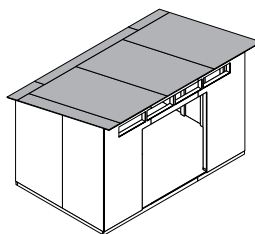
x160  2" (5,1 cm)



- 7 Complete the securing of all upper roof panels with 2" nails 6" along edge and 12" inside panel.




Your roof panels are now installed.

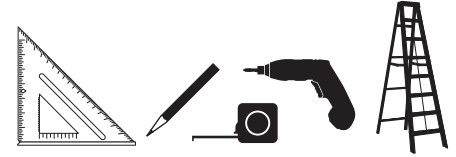


RAFTER EXTENSIONS

PARTS REQUIRED:

x11 **QVA**
2 x 3 x 10-7/16" (5,1 x 7,6 x 26,5 cm)

x28 
2" (5,1 cm)



✓ BEGIN

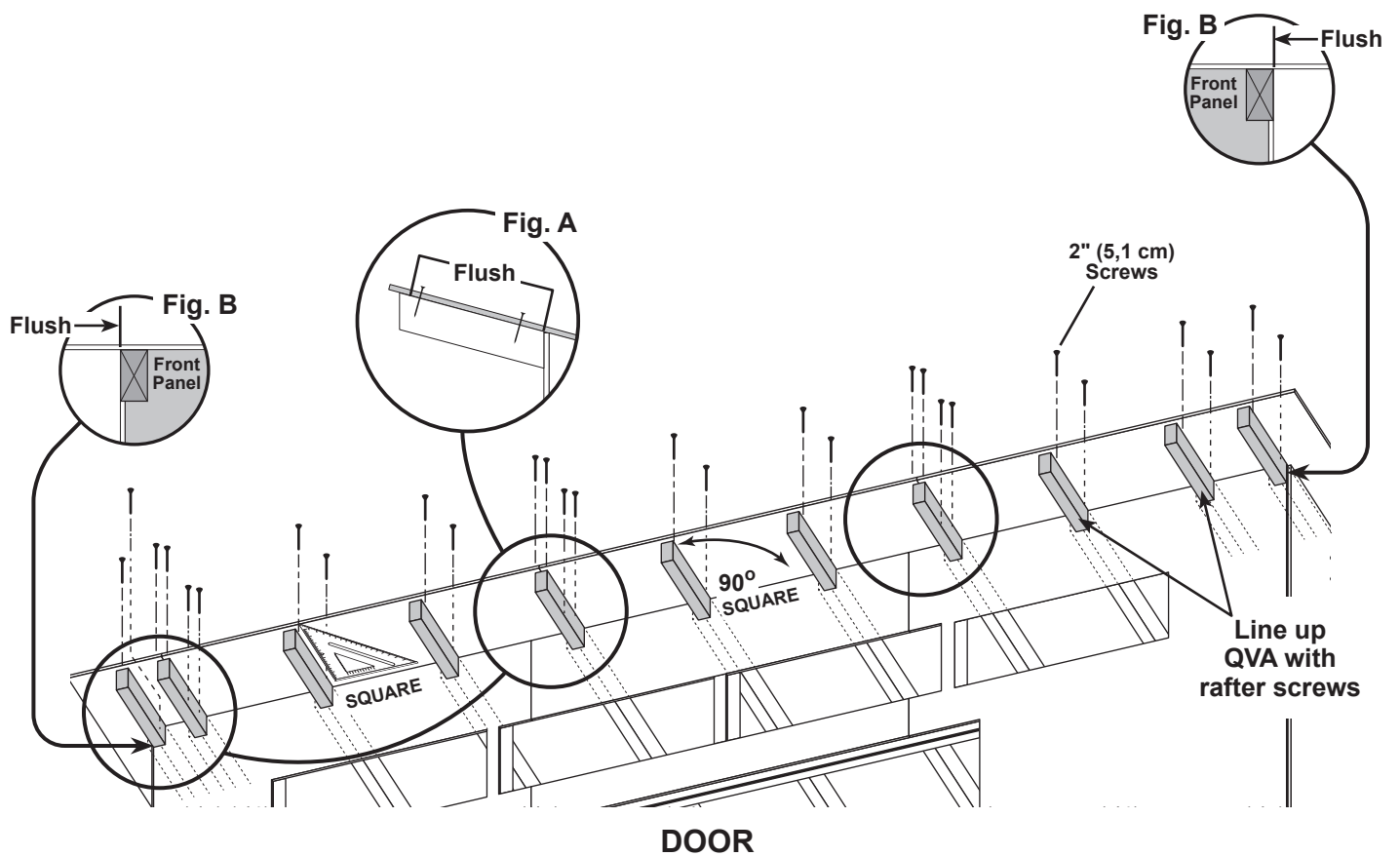
1 Line up each rafter extension **QVA** 90° degrees square with rafters as shown.

Secure rafter extensions with 2" screws through roof panels (**Fig. A**).

Use (4) screws at roof panel seams.

Install **QVA** extensions flush with side wall panels (**Fig. B**).

HINT: • Use screws at rafter ends as a guide to line up **QVA** with rafter ends.



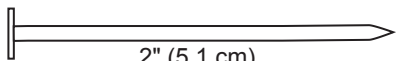
Your rafter extensions are now installed.

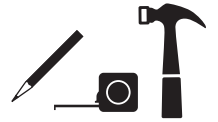
SIDE RAKE FRAMING

PARTS REQUIRED:

x2 **THB**
1 x 3 x 31-15/16" (2,5 x 7,6 x 81,1 cm)

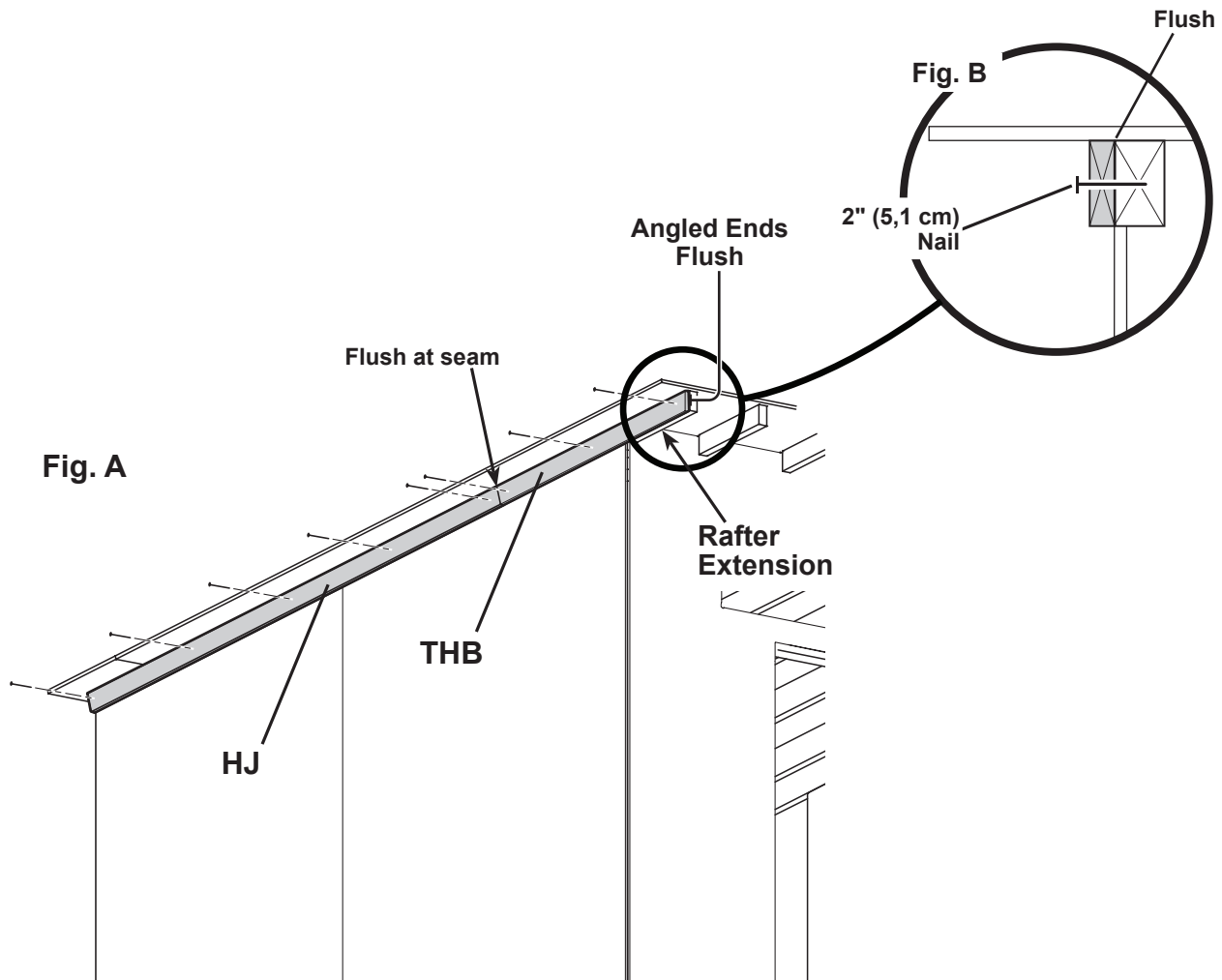
x2 **HJ**
1 x 3 x 72" (2,5 x 7,6 x 182,8 cm)

x26  2" (5,1 cm)



✓ **BEGIN**

- 1 Align **THB** edge flush with rafter extension (**Fig A**). Attach with (3) 2" nails (**Fig B**).
- 2 Attach **HJ** flush with **THB** with (5) 2" nails. (**Fig A**, **Fig. B**)
- 3 Repeat STEPS 1 - 2 on opposite side.



You have finished installing your gable rake framing.

SIDE SOFFIT

PARTS REQUIRED:

x2

3/8" x 5-1/4" x 94-7/16" (1 x 13,3 x 242,5 cm)

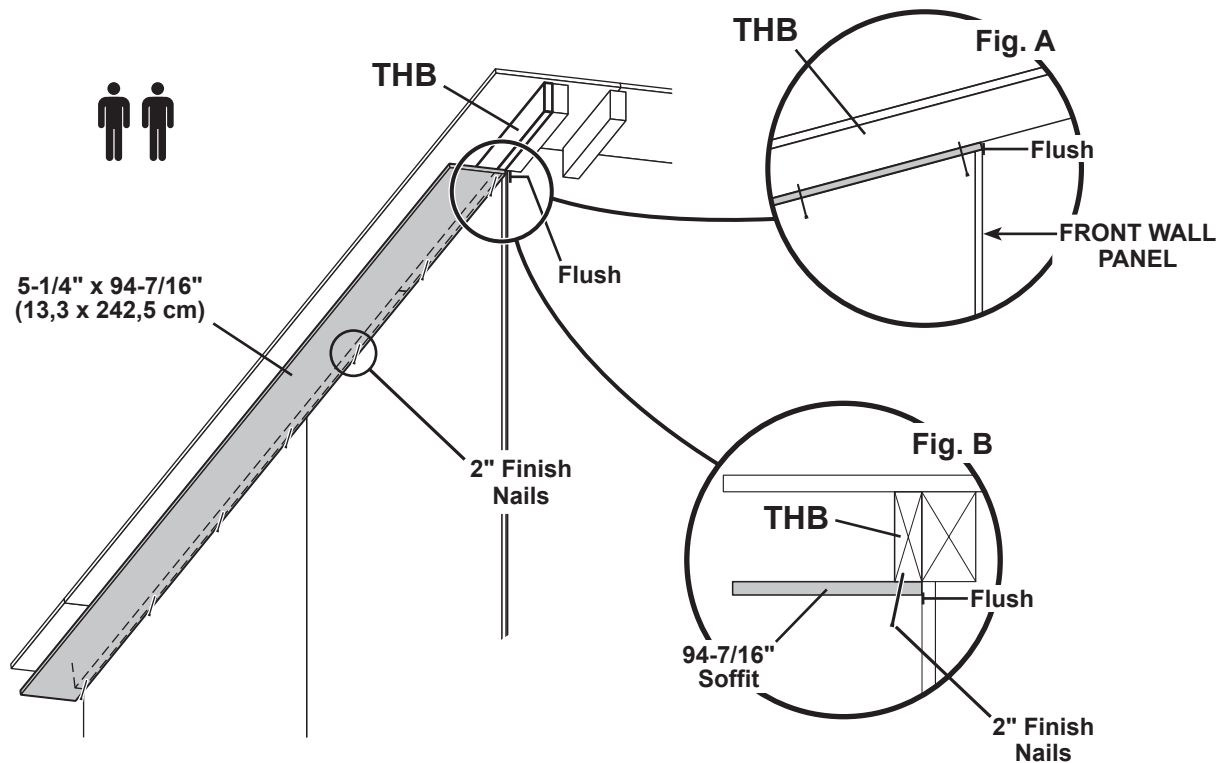
x14

2" (5,1 cm)



✓ **BEGIN**

- 1 Attach **94-7/16"** soffit primed side down flush to front wall panel (**Fig. A**).
Secure to side rake frame **THB** using (7) 2" finish nails (**Fig. A, B**).



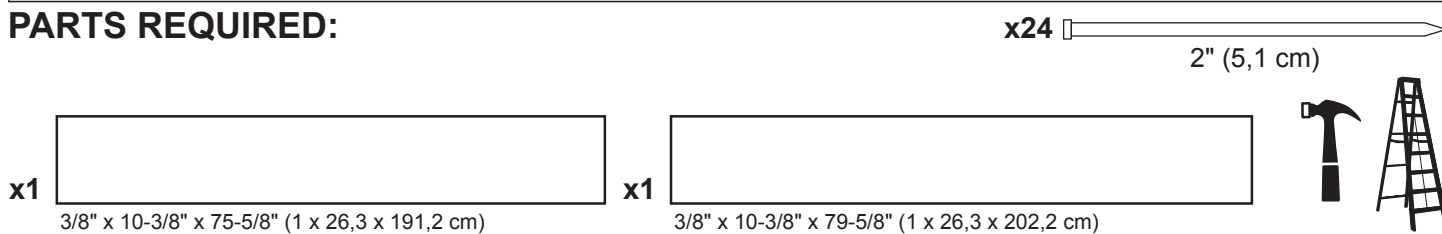
- 2 Repeat STEP - 1 on opposite side.



Your side soffit panels are now installed.

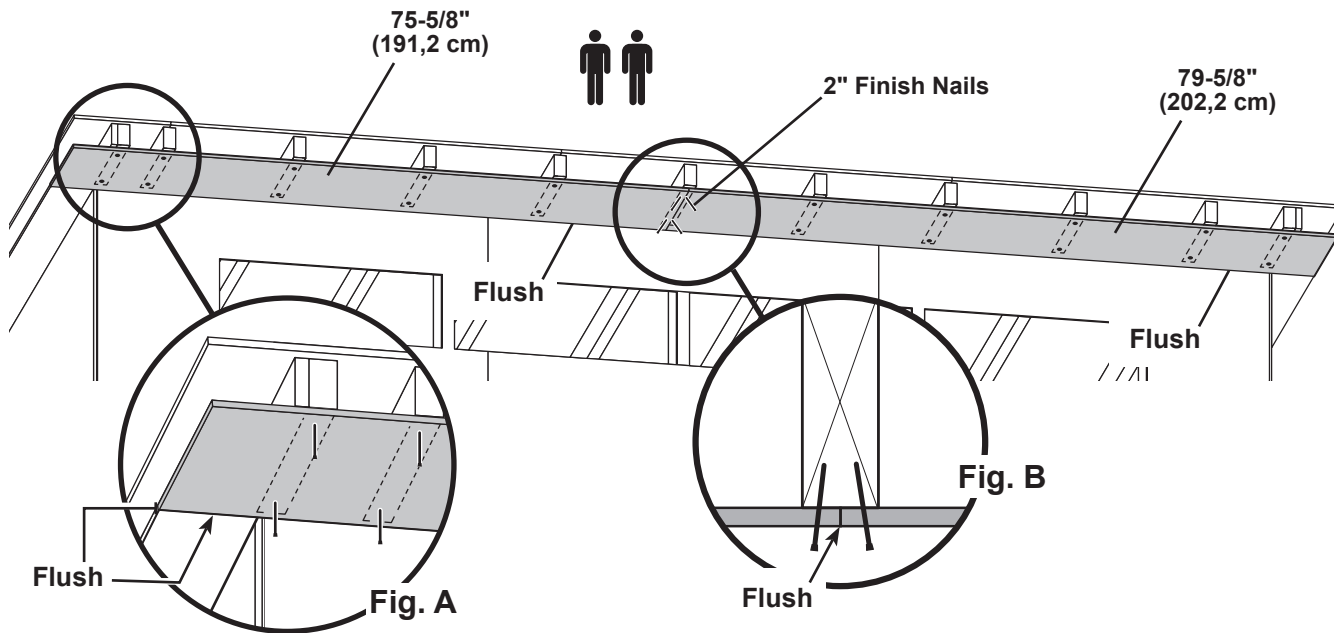
FRONT SOFFIT

PARTS REQUIRED:



✓ BEGIN

- 1 Install **75-5/8"** and **79-5/8"** soffit panel primed side out under rafter extensions and flush to side wall soffit (**Fig. A**). Ensure each soffit is flush to front wall panel.
Secure soffit panels using (2) 2" finish nails into each rafter extension.
Use (4) finish nails at seam (**Fig. B**).




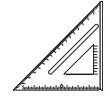
Your front soffit panels are now installed.

FRONT FASCIA TRIM

PARTS REQUIRED:

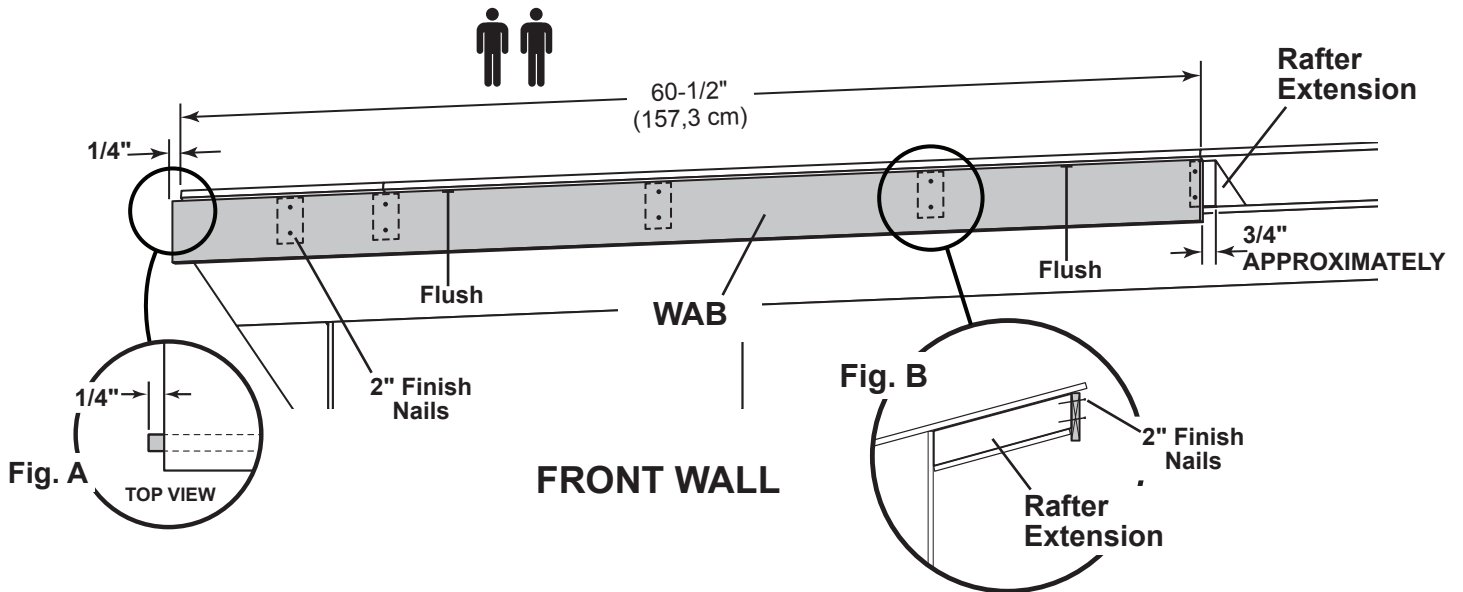
x1 **WAB**
19/32" x 3-1/2" x 60-1/2" (1,5 x 8,8 x 153,7 cm)

x10  2" (5,1 cm)



✓ **BEGIN**


- 1 Measure 1/4" past left roof panel and line up **WAB** primed side out and flush up under roof panels (**Fig. A**). Right side of **WAB** is approximately 3/4" from center of rafter extension. Secure **WAB** with 2" finish nails into rafter extensions (**Fig. B**).

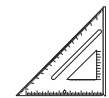


FRONT FASCIA TRIM

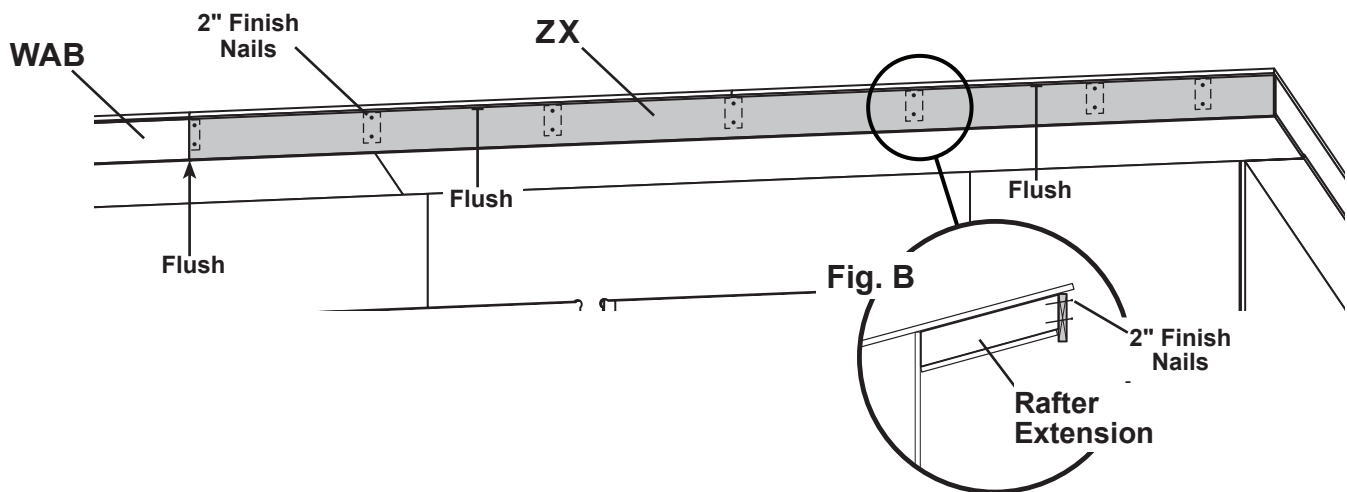
PARTS REQUIRED:

x1 **ZX**
19/32" x 3-1/2" x 96" (1,5 x 8,8 x 243,8 cm)

x14  2" (5,1 cm)



- 2 Position **ZX** primed side out, flush with **WAB** and flush up under roof panels.
Secure **ZX** with 2" finish nails into rafter extensions (**Fig. B**).



You have finished installing your front fascia

SIDE FASCIA TRIM ASSEMBLY

PARTS REQUIRED:


x1 **UDR**
19/32" x 3-1/2" x 61-1/16" (1,5 x 8,9 x 155,1 cm)

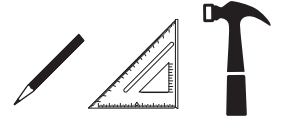
x1 **UDL**
19/32" x 3-1/2" x 61-1/16" (1,5 x 8,9 x 155,1 cm)

x2 **OY**
2 x 3 x 72" (5,1 x 7,6 x 182,8 cm)

x2 **RMA**
2 x 3 x 31-15/16" (5,1 x 7,6 x 81,1 cm)

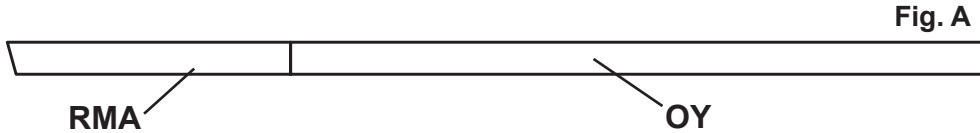
x2 **WQA**
19/32" x 3-1/2" x 45" (1,5 x 8,9 x 114,3 cm)

x28  2" (5,1 cm)

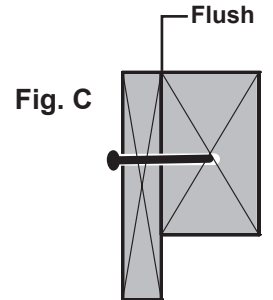
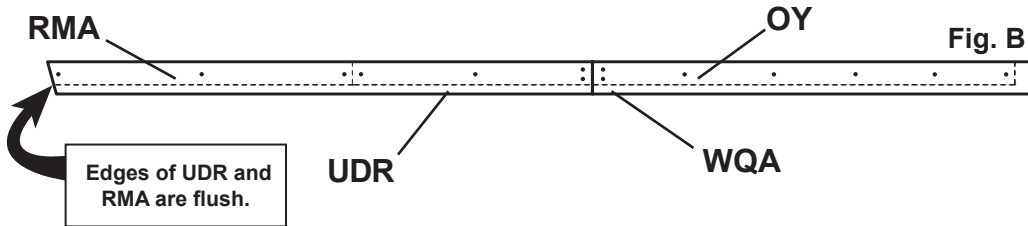


✓ BEGIN

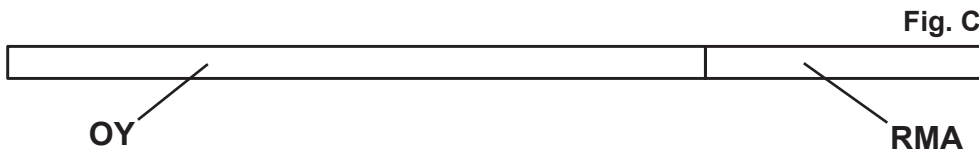
1 To build right side fascia assembly, place **RMA** and **OY** end to end on a flat surface (**Fig. A**).



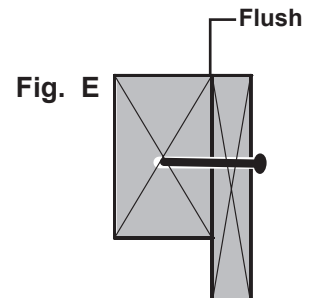
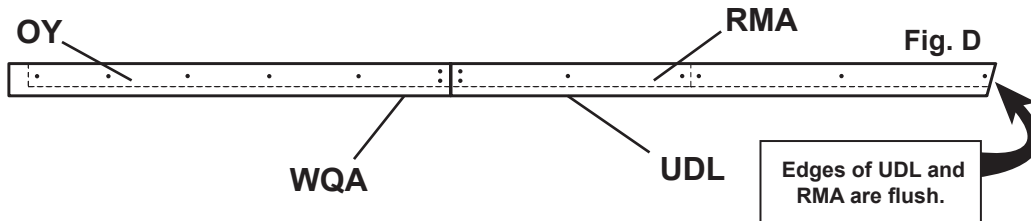
2 Place **UDR** and **WQA primed side up** and flush with **RMA** and **OY**. Attach with 2" finished nails as shown (**Fig. B, C**).



3 To build left side fascia assembly, place **RMA** and **OY** end to end on a flat surface (**Fig. C**).



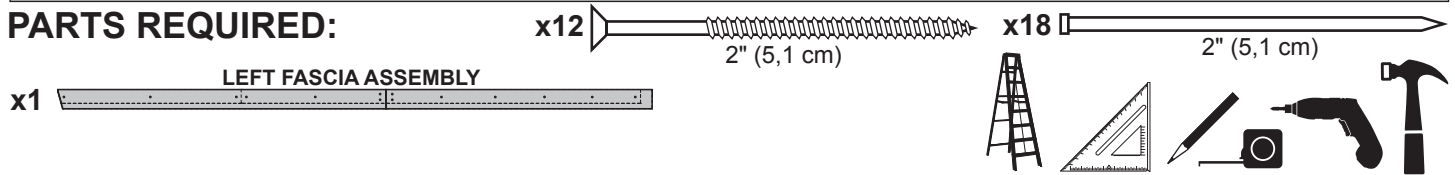
4 Place **UDL** and **WQA primed side up** and flush with **RMA** and **OY**. Attach using 2" finished nails as shown (**Fig. D, E**).



You have finished assembling the side fascia trim.

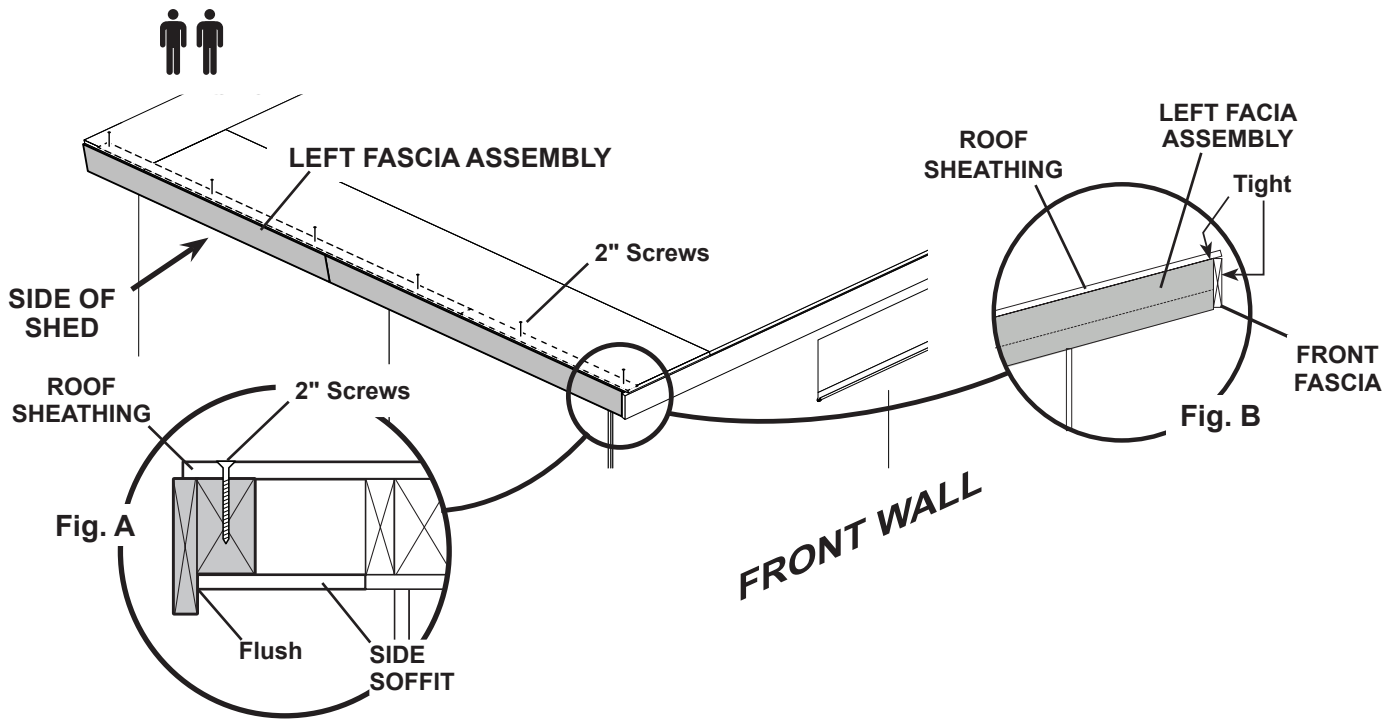
SIDE FASCIA TRIM

PARTS REQUIRED:



✓ BEGIN


- 1 Place left side fascia assembly between roof sheathing and side soffit (**Fig. A, Fig. B**).
- 2 Secure fascia assembly under roof panels flush with front fascia board using (6) 2" screws through roof sheathing (**Fig. A**).

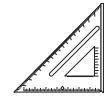


SIDE FASCIA TRIM

PARTS REQUIRED:

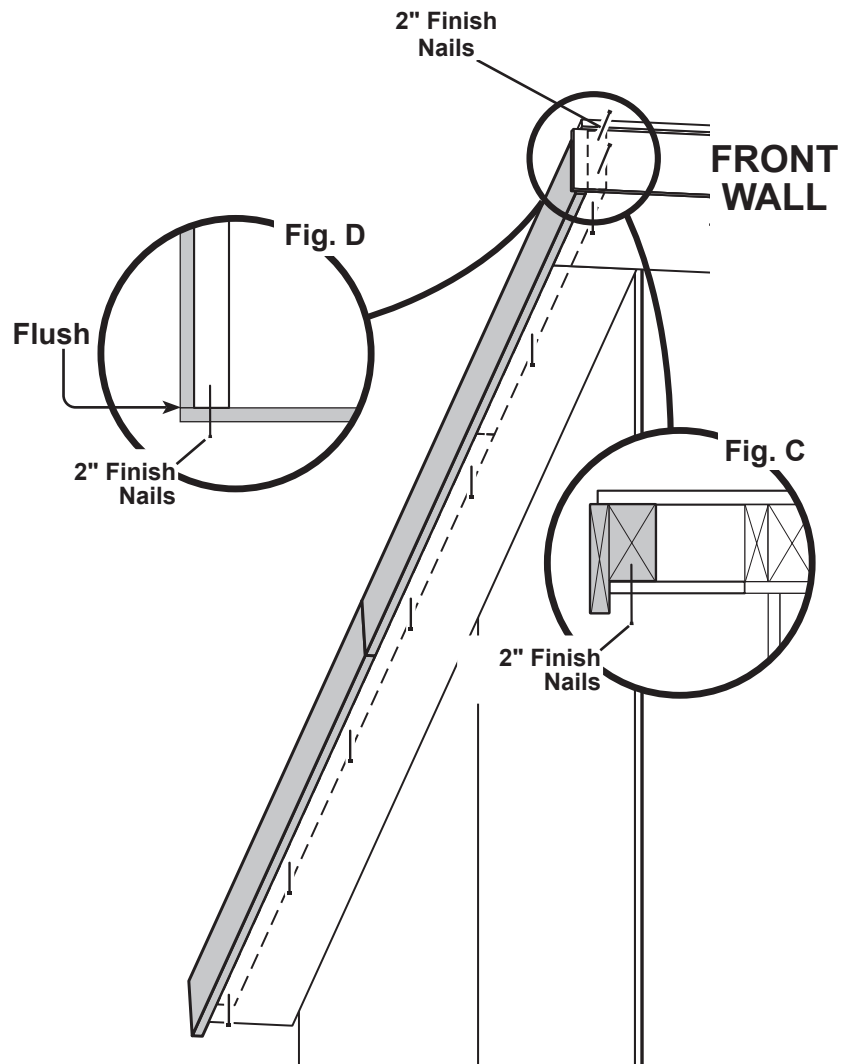
x1  RIGHT FASCIA ASSEMBLY

x18  2" (5,1 cm)



3 Nail up through side soffit into fascia assembly using (7) 2" finish nails (**Fig. C**).

4 Secure front fascia to side fascia with (2) 2" finished nails (**Fig. D**).



5 Repeat STEPS 1 - 4 on opposite side to install right fascia.



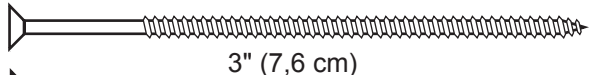
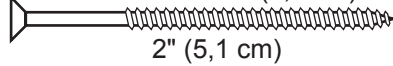
Your side fascia trim is now installed.

REAR FASCIA TRIM

PARTS REQUIRED:

x1 **GKA**
2 x 3 x 59-1/4" (5,1 x 7,6 x 150,5 cm)

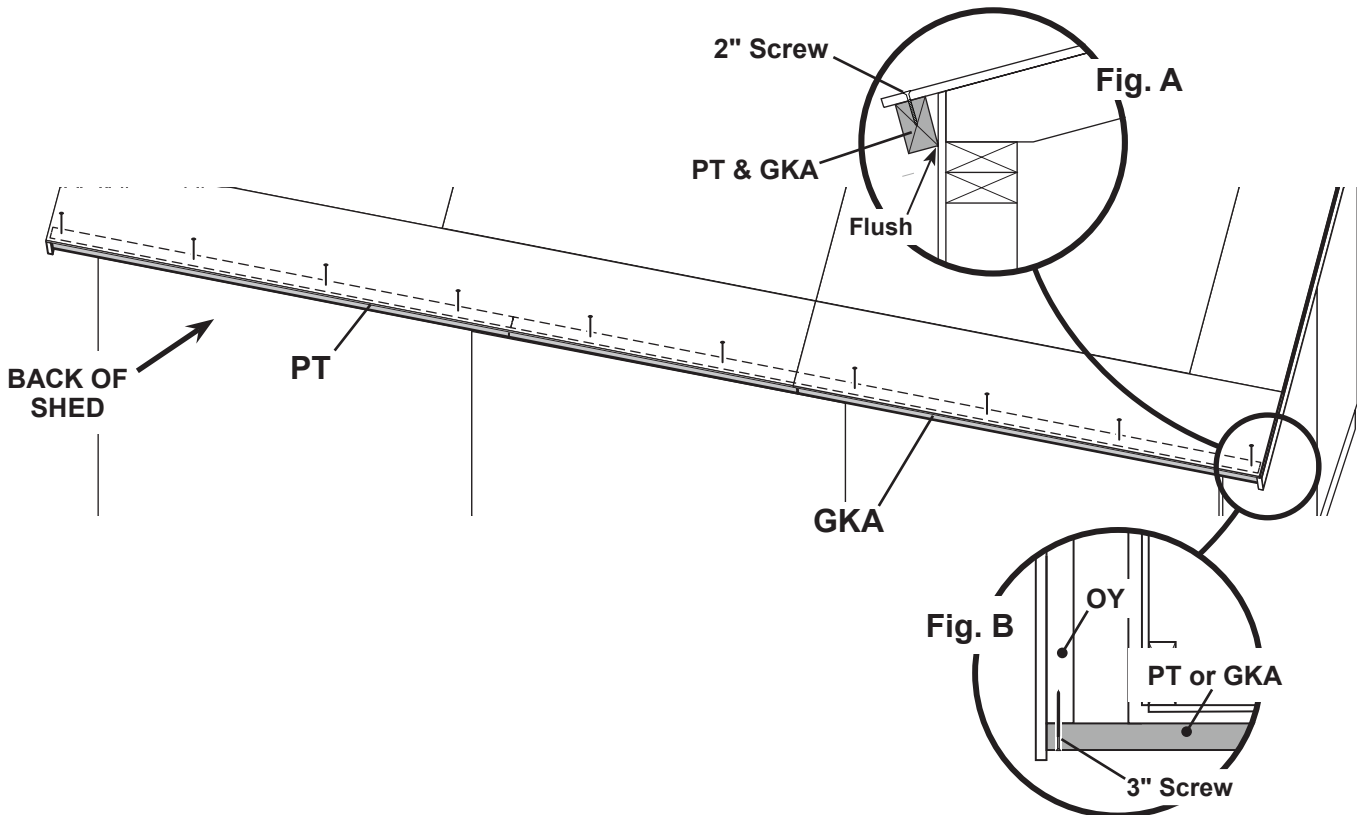
x1 **PT**
2 x 3 x 96" (5,1 x 7,6 x 243,8 cm)

x2  3" (7,6 cm)
x10  2" (5,1 cm)



✓ **BEGIN**

1 Install **PT** and **GKA** using 2" wood screws through roof sheathing (**Fig. A**).




2 Secure **PT** and **GKA** using (1) 3" screw through side fascia trim nailer **OY** (**Fig. B**).

REAR FASCIA TRIM

PARTS REQUIRED:

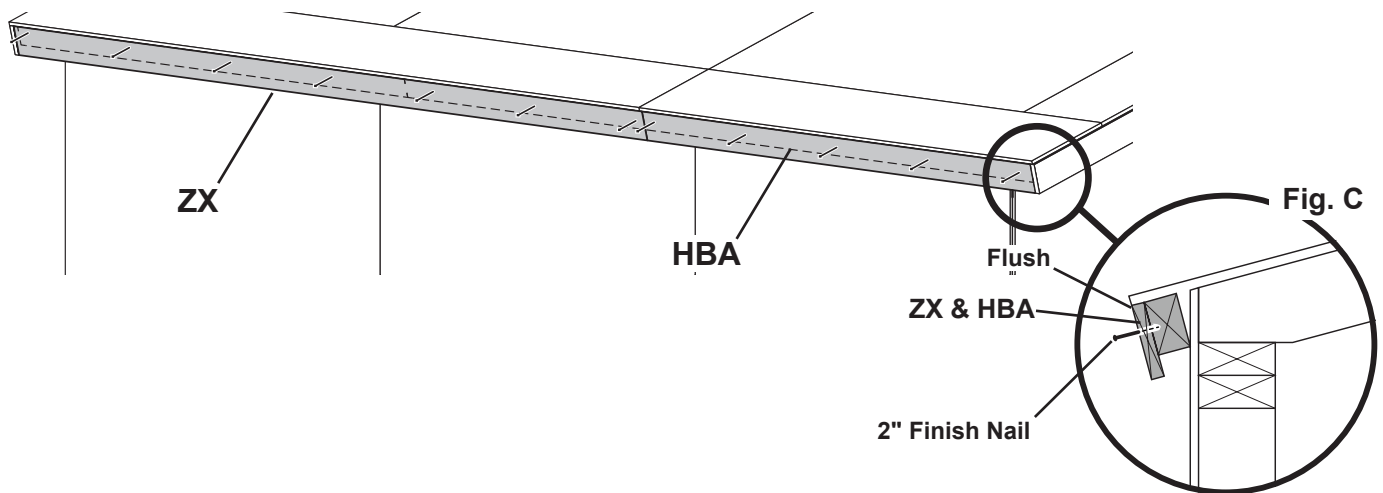
x1 **HBA**
19/32" x 3-1/2" x 59-1/4" (1,5 x 8,8 x 150,5 cm)

x1 **ZX**
19/32" x 3-1/2" x 96" (1,5 x 8,8 x 243,8 cm)

x14  2" (5,1 cm)



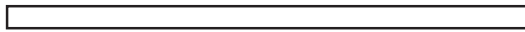
- 3 Secure **HBA** and **ZX** to **PT** and **GKA** with 2" finish nails (**Fig. C**).
Ensure trim is *primed side out*.

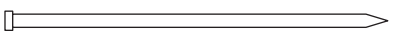


Your rear fascia trim is now installed.

BACK CORNER TRIM

PARTS REQUIRED:

x2 
3/8" x 2" x 73-5/16" (0,9 x 5,1 x 186,2 cm)

x14 

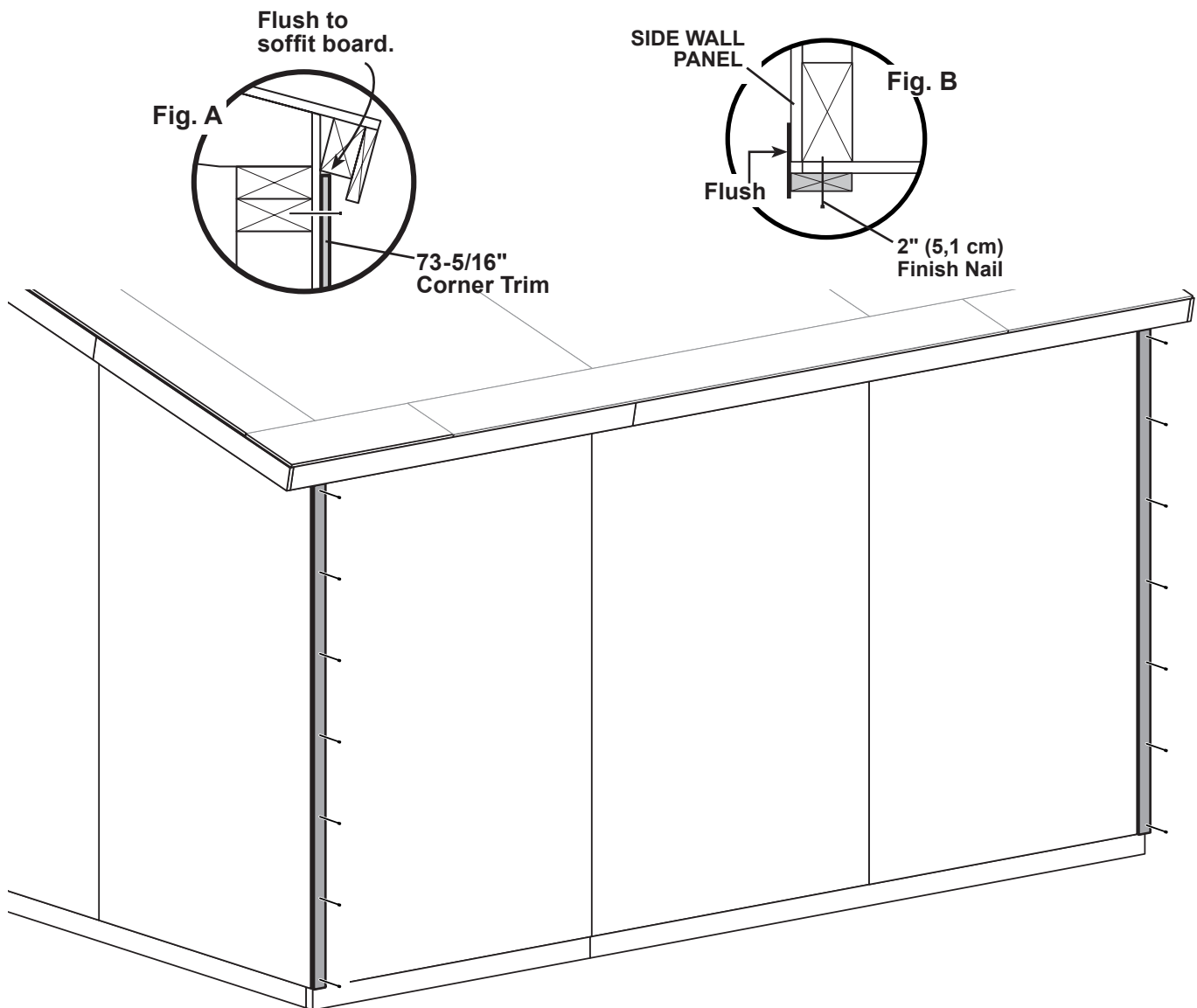
2" (5,1 cm)



✓ BEGIN

- 1 Place **73-5/16"** back corner trim flush to bottom of back soffit board (**Fig. A**) and flush with side panel (**Fig. B**).

Secure trim with (14) 2" finish nails into corner wall framing. Space nails equally.







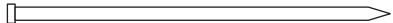
FINISH

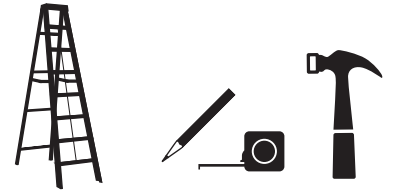
Your back corner trim is now installed.

SIDE CORNER TRIM

PARTS REQUIRED:

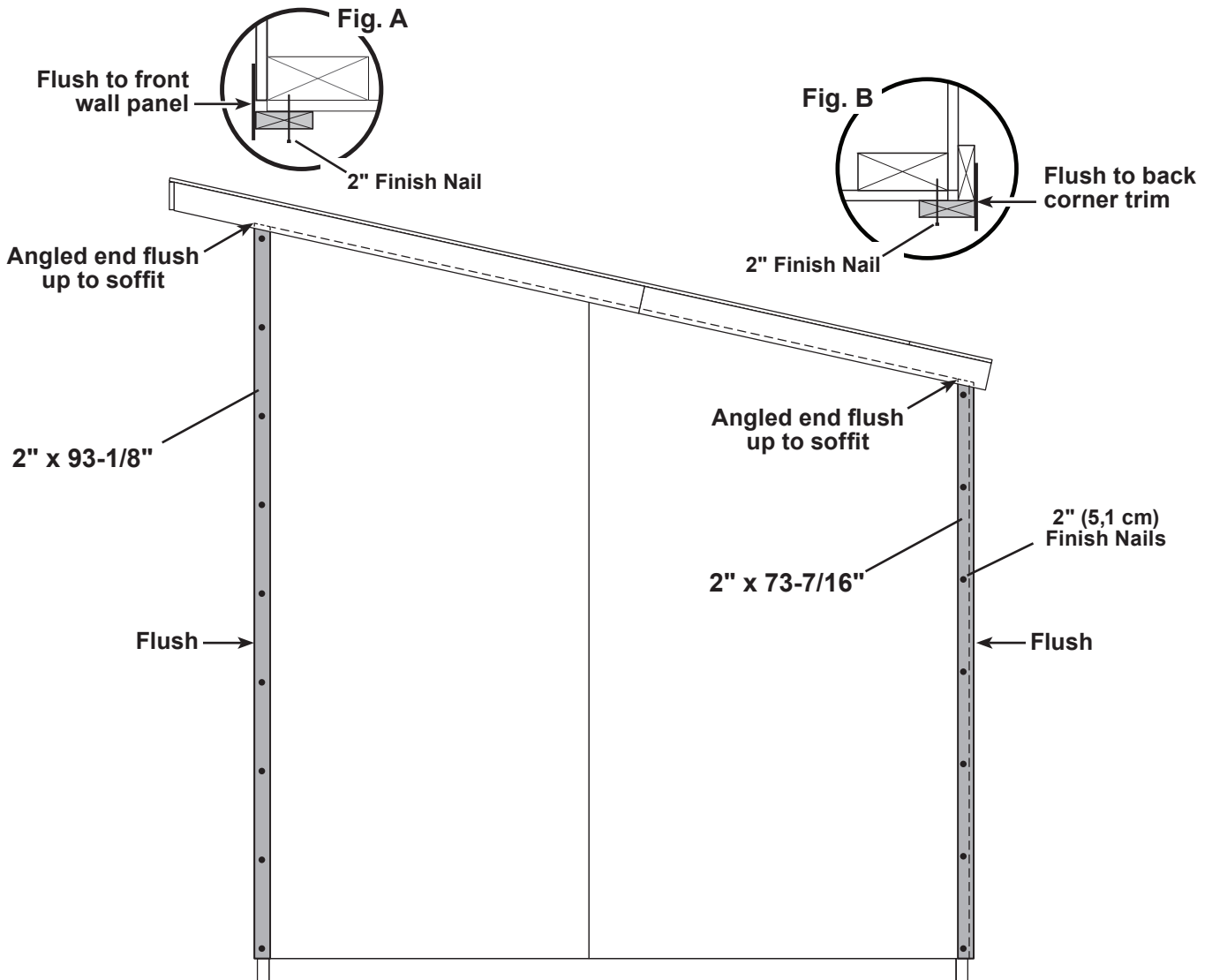
- x1  3/8" x 2" x 73-7/16" (0,9 x 5,1 x 186,5 cm)
- x1  3/8" x 2" x 73-7/16" (0,9 x 5,1 x 186,5 cm)
- x1  3/8" x 2" x 93-1/8" (0,9 x 5,1 x 236,5 cm)
- x1  3/8" x 2" x 93-1/8" (0,9 x 5,1 x 236,5 cm)

x32  2" (5,1 cm)



✓ BEGIN

- 1 Install 93-1/8" side front-corner trim flush to front wall panel (Fig. A).
Secure trim with (9) 2" finish nails spaced evenly.
- 2 Install 73-7/16" side back-corner trim flush to back wall trim (Fig. B).
Secure trim with (7) 2" finish nails spaced evenly.



FINISH

Repeat STEPS 1 - 2 for opposite side.

Your side corner trim boards are now installed.

FRONT TRIM

PARTS REQUIRED:

x2 **ZD**
19/32" x 2-1/2" x 72-3/4" (1,5 x 6,3 x 184,8 cm)

x2 **VAA**
19/32" x 2-1/2" x 90-5/8" (1,5 x 6,3 x 230,2 cm)



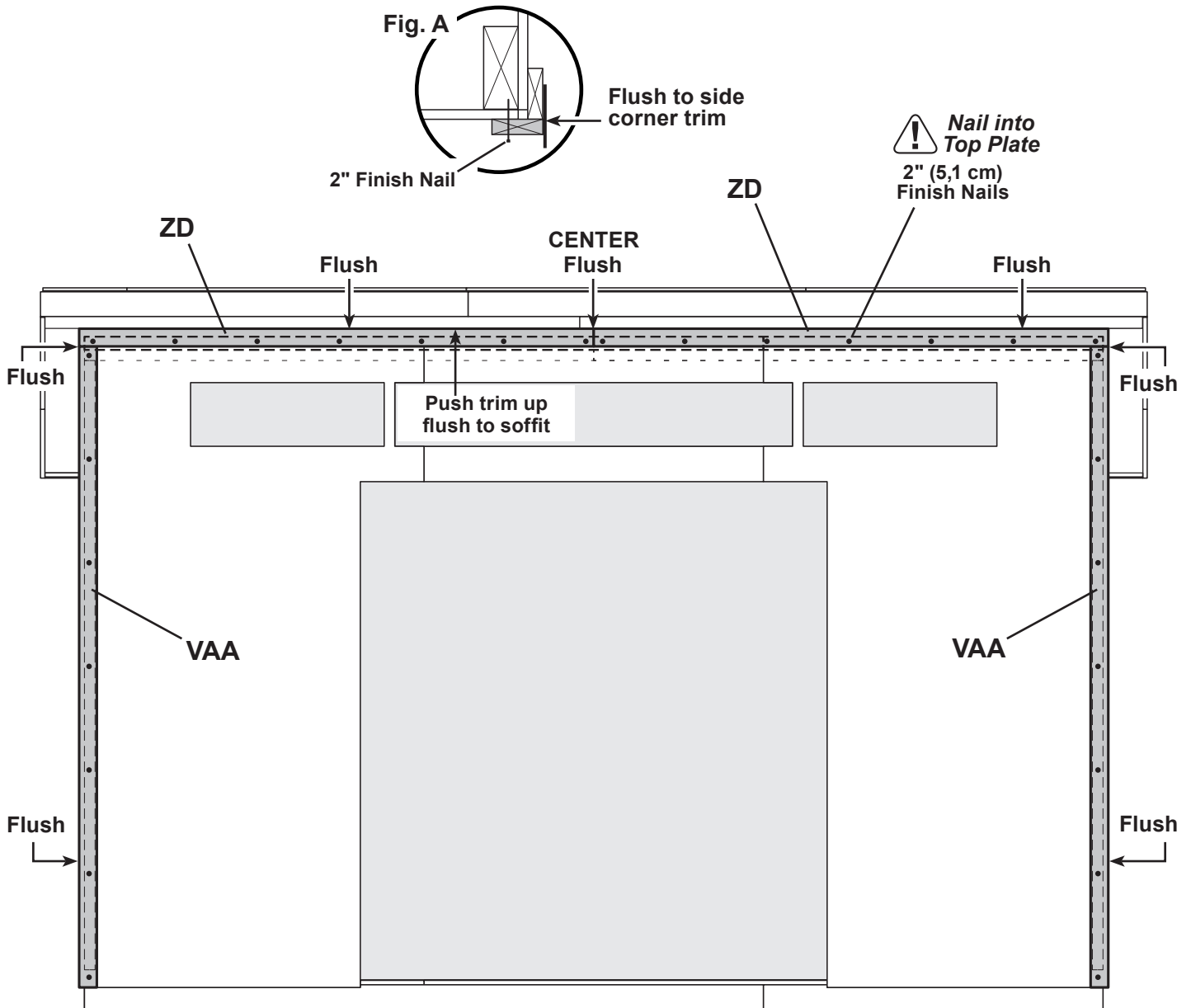
x28 2" (5,1 cm)



✓ **BEGIN**

1 Install (2) **ZD** trim pieces centered and flush up to soffit.
Secure trim with (14) 2" finish nails into top plate. Space nails evenly.

2 Install **VAA** corner trim flush to side corner trim (**Fig. A**).
Secure trim with (14) 2" finish nails into wall framing. Space nails evenly.



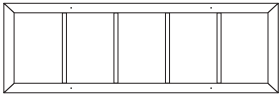
FINISH

Your corner trim and upper gable trim boards are now installed.

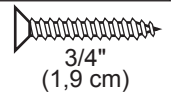
FRONT WINDOWS

PARTS REQUIRED:

x4



x16



✓ **BEGIN**

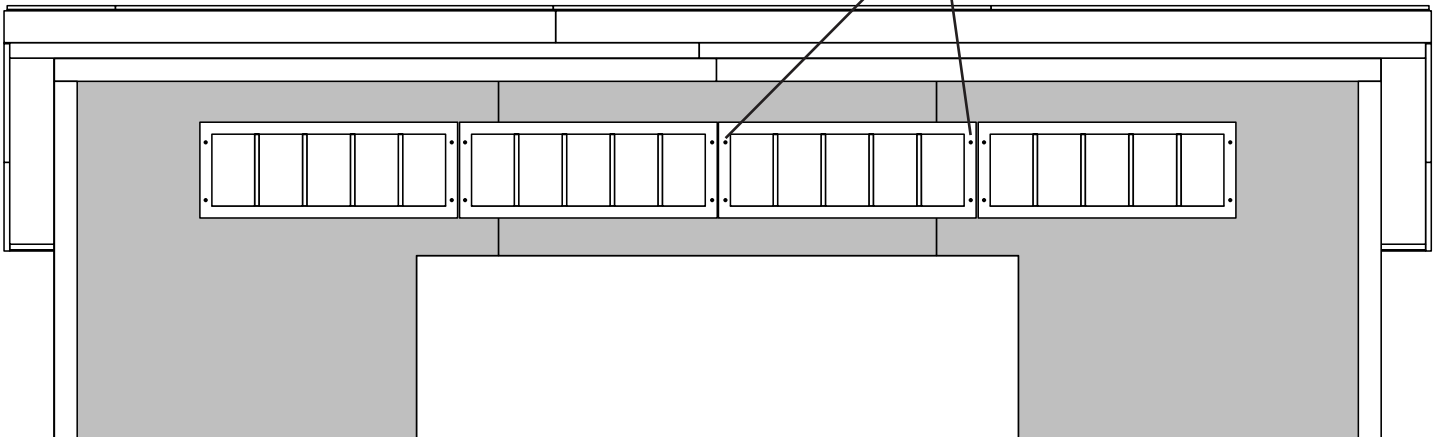
1 Apply high quality exterior-grade caulk behind frame near edge before installing to seal window.



You must caulk around windows to validate warranty.

2 Position window in center of opening and level.
Secure with (4) screws on sides of each window.

(4) 3/4" (1,9 cm)
Screws per window

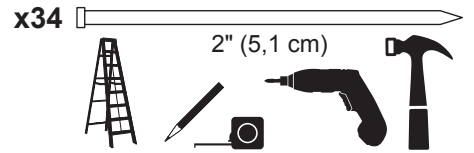


FRONT WINDOW TRIM

PARTS REQUIRED:

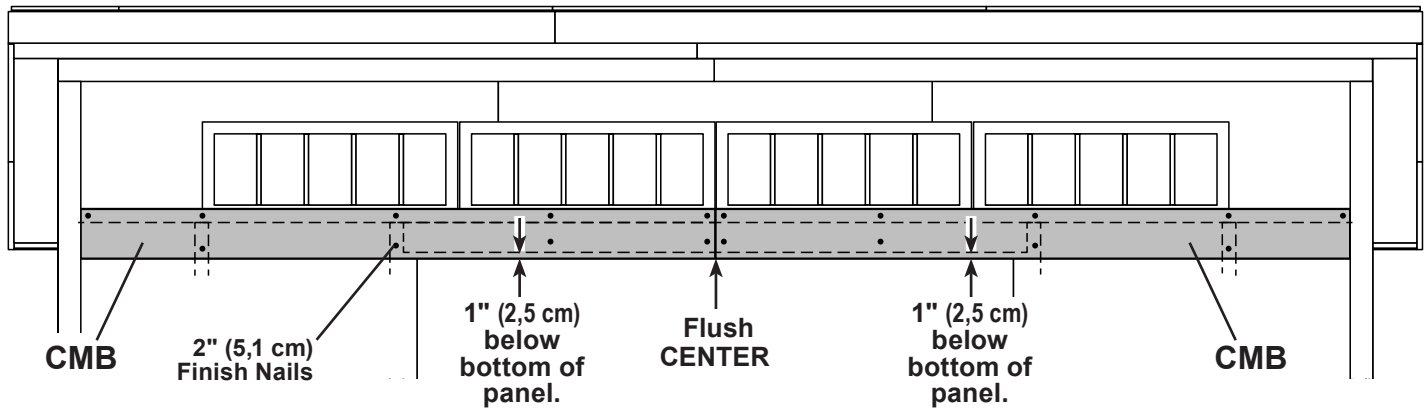
x2 **CMB**
 19/32" x 5-1/2" x 70-1/4" (1,5 x 14 x 178,4 cm)

x5 **EY**
 19/32" x 2-1/2" x 9" (1,5 x 6,4 x 22,9 cm)

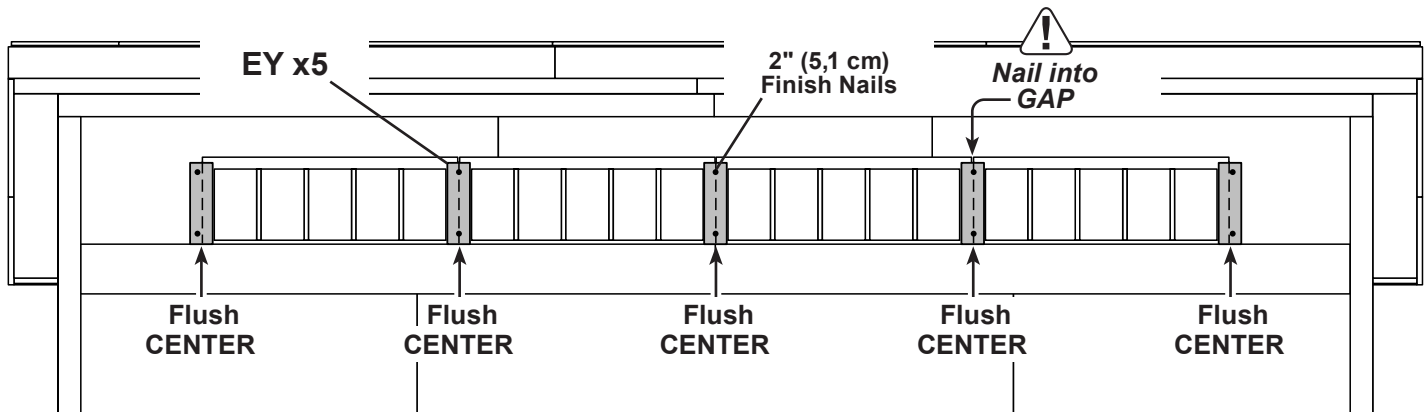


- Install (2) **CMB** centered on front wall panels.
 Install **CMB** 1" (2,5 cm) below bottom panel, across door opening.
 Secure with (18) 2" finish nails as shown. Space nails evenly.

 **Do not nail into window flange.**



- Center (5) **EY** on gap between window frames as shown.
 Secure with (10) 2" finish nails into framing.

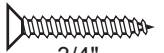


FRONT WINDOW TRIM

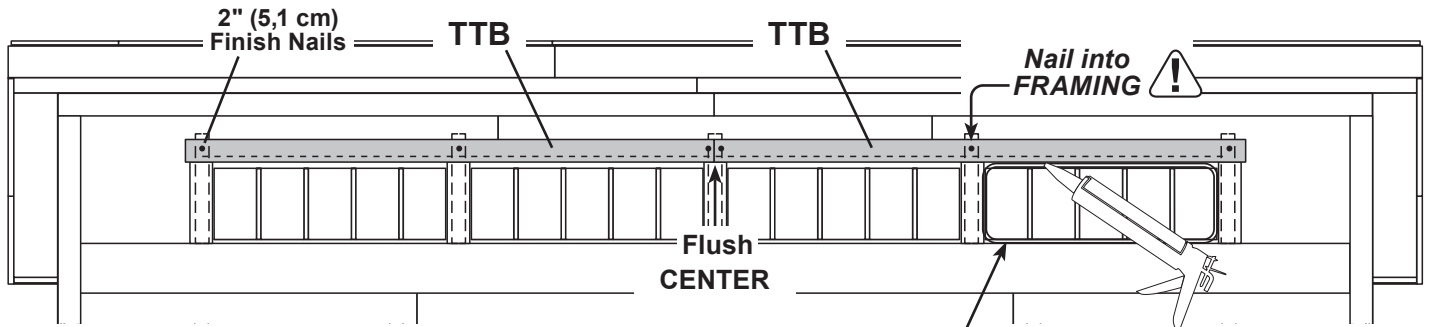
PARTS REQUIRED:

x2 **TTB**
19/32" x 2-1/2" x 58-3/4" (1,5 x 6,3 x 149,2 cm)



x4 
3/4"
(1,9 cm)

- 5** Install (2) **TTB** on window trim, centered as shown. Secure with (6) 2" finish nails.



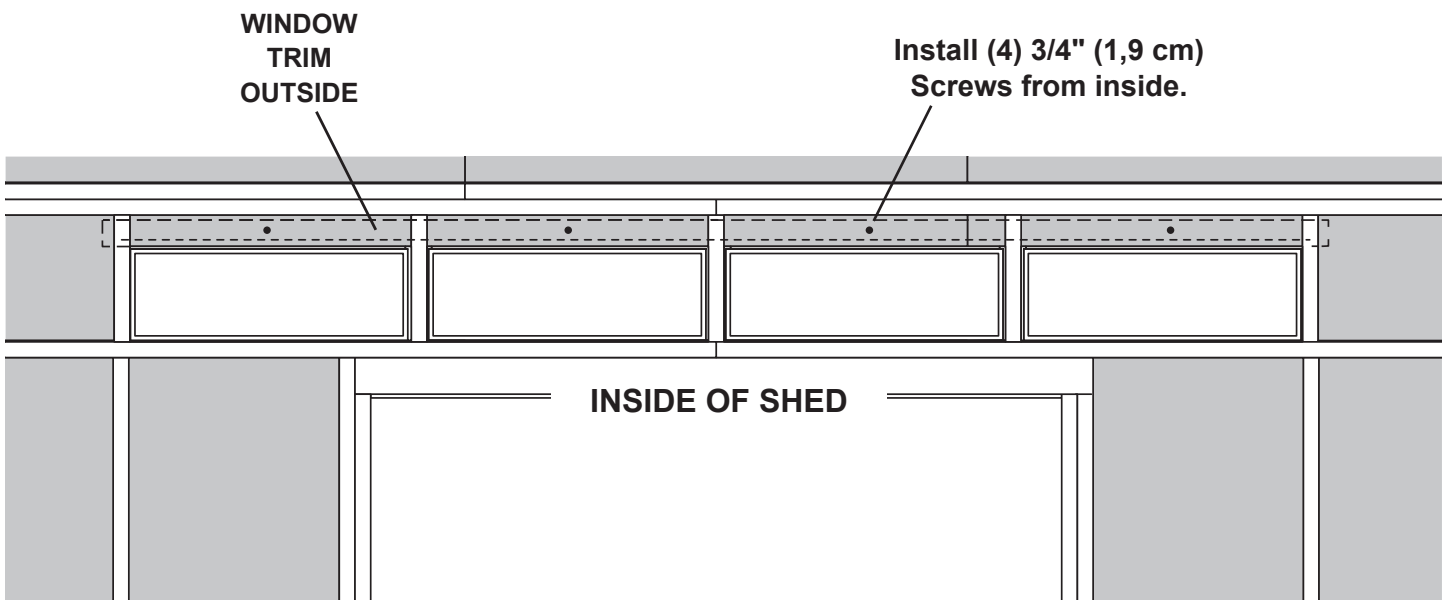
You must caulk completely around window frame to validate your warranty. Use a paintable exterior rated caulk.

- 6** Install (4) 3/4" screws from inside into window trim, as shown.



Do not screw into window flange.

NOTE: Snip off protruding finish nails from inside of front wall.




You have finished installing your windows and window trim.

DOOR TRIM & THRESHOLD

PARTS REQUIRED:

x2 **TJB**
19/32 x 2-1/2 x 67-3/4" (1,5 x 6,3 x 172,1 cm)

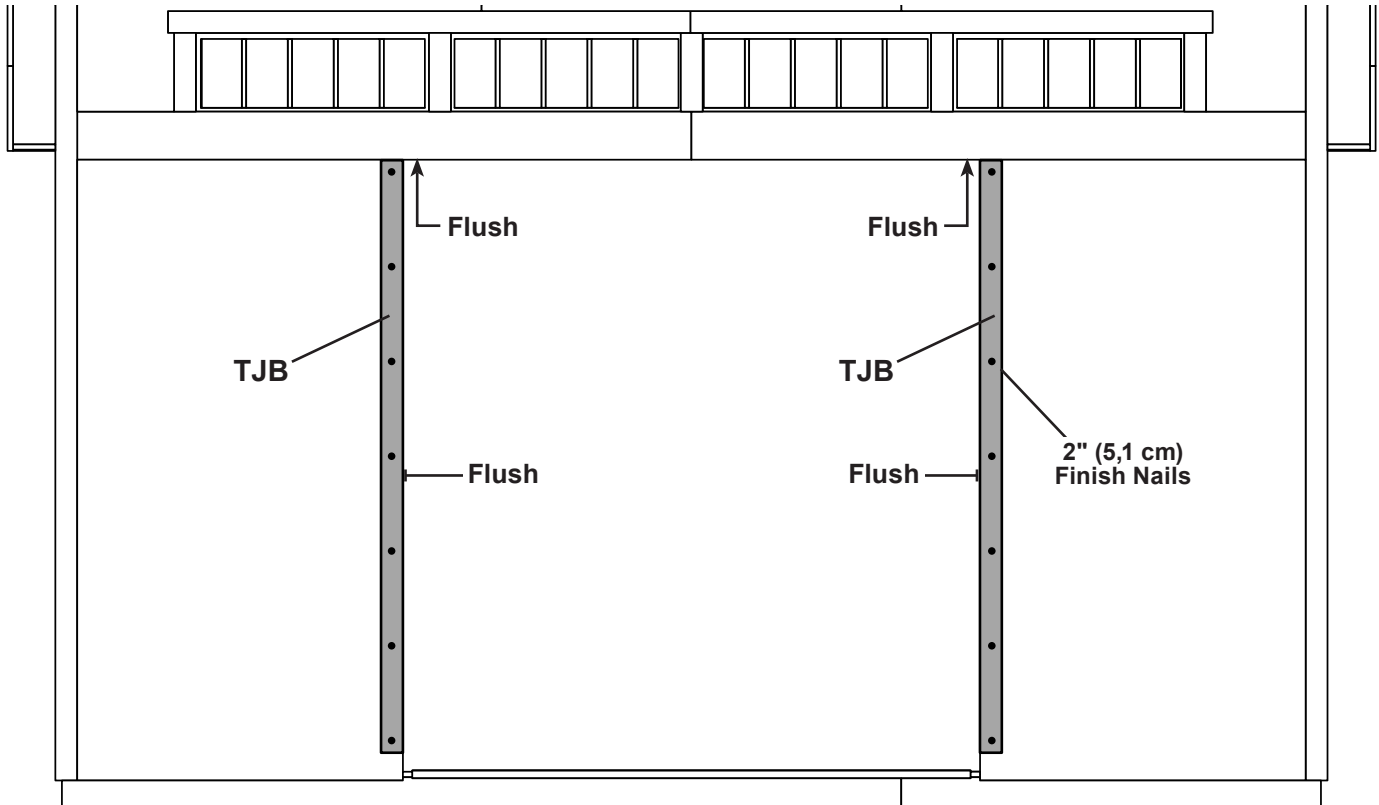
x1 **64" Metal Threshold**
3/4" (1,9 cm) x11
Bagged separately / special coating

x14  2" (5,1 cm)

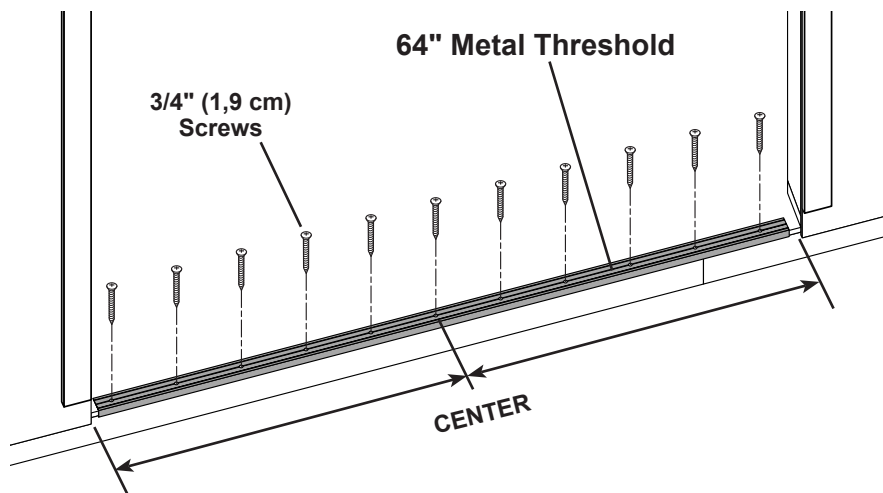


✓ **BEGIN**

- 1 Install **TJB** flush to lower window trim and flush to front panels.
Secure trim with 2" finish nails.

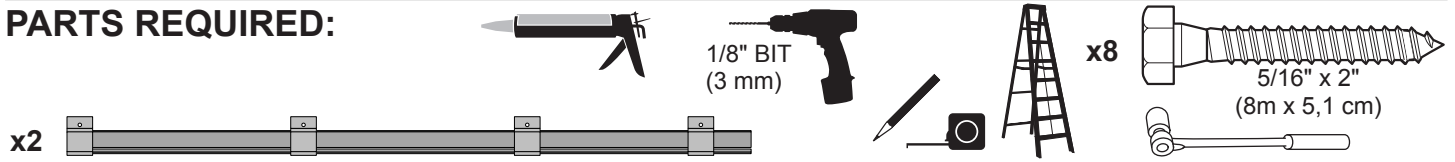


- 2 Center metal threshold between doors.
Secure with (11) 3/4" special coating screws into floor.



DOOR TRACK

PARTS REQUIRED:



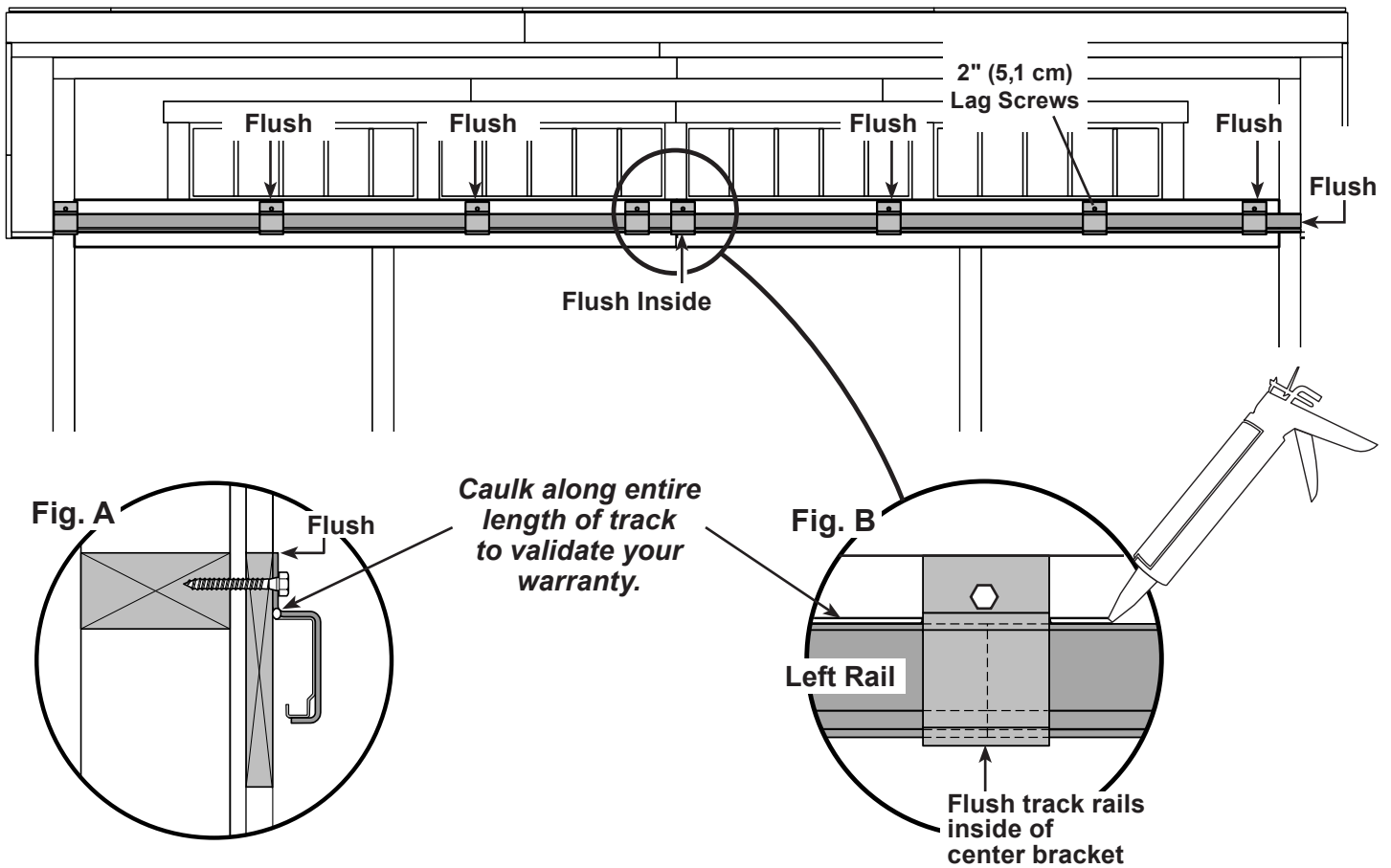
✓ **BEGIN**

1 Install right door track first.

Place right track brackets flush along top of lower window trim and flush to right corner trim. Mark bracket-hole locations on window trim. Pre-drill holes using a 1/8" drill bit. Secure track with (4) 2" lag screws through bracket and window trim into header (**Fig. A**).

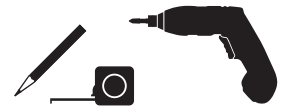
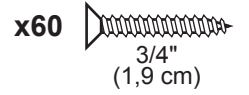
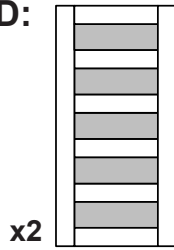
2 Slide left rail inside right track bracket flush to right track rail (**Fig. B**).

Mark bracket-hole locations on window trim. Pre-drill holes using a 1/8" drill bit. Secure track with (4) 2" lag screws



DOOR REINFORCEMENT

PARTS REQUIRED:

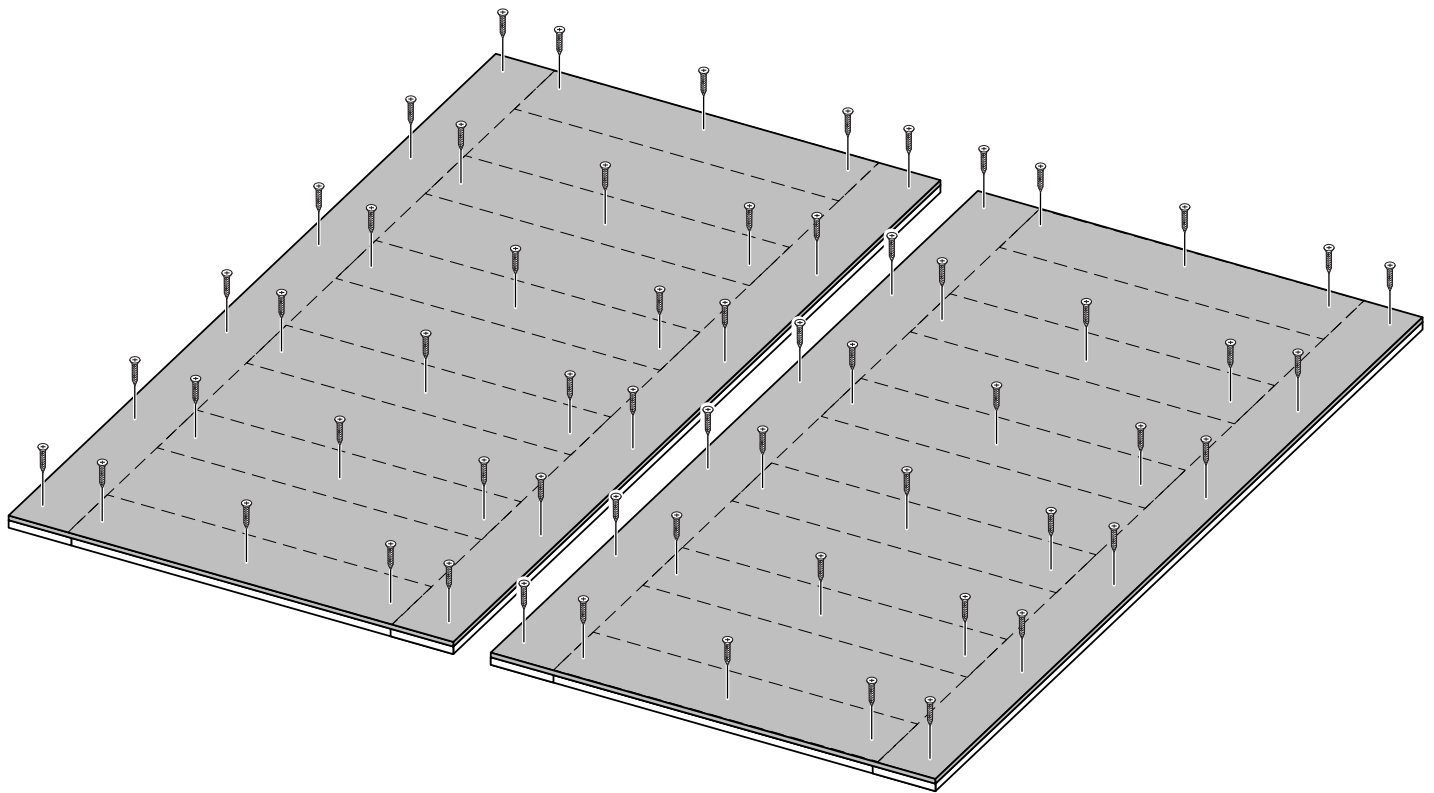


✓ **BEGIN**

1

Reinforce doors by back-screwing through inside of door panel into trim.

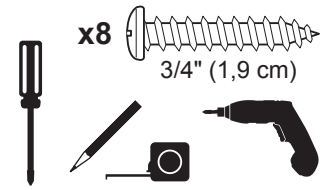
Use (30) 3/4" screws in each door, according to pattern shown. Space screws evenly.



DOOR HARDWARE

PARTS REQUIRED:

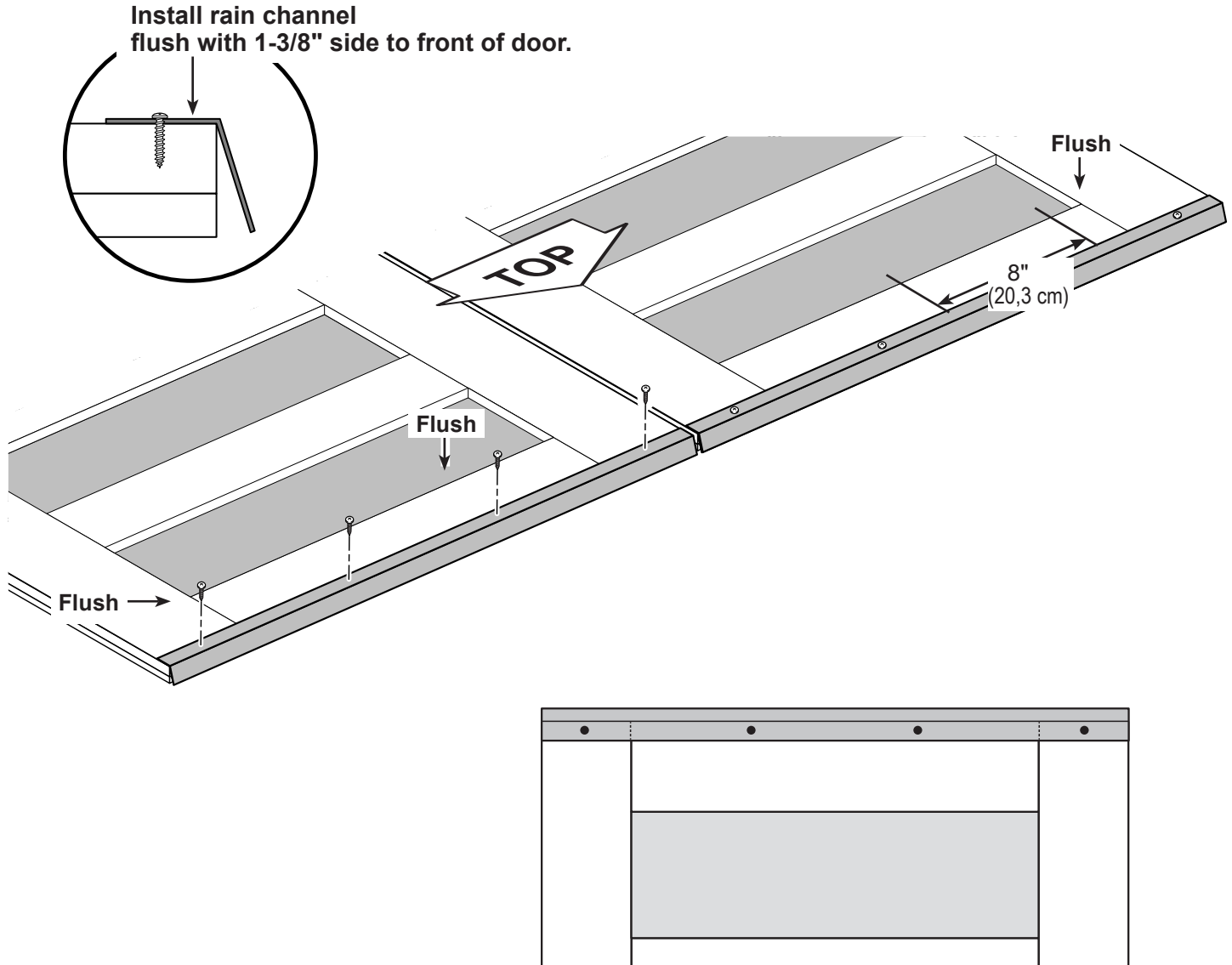
x2 **Metal Rain Channel**
1" x 1-3/8" x 36" (2,5 x 3,5 x 91,4 cm)



✓ **BEGIN**

- 1 Install 36" rain channel flush to end centered across upper corner of door.
Secure with 3/4" screws spaced evenly (approx. 8").

**Install rain channel
flush to front of door.**



DOOR HARDWARE

PARTS REQUIRED:

x2
36" (91,4 cm) Door Brush

x2
36" (91,4 cm) Door Brush Channel

x14
#8 X 3/4" (1,9 cm)
Self-Piercing
Round Head Screws

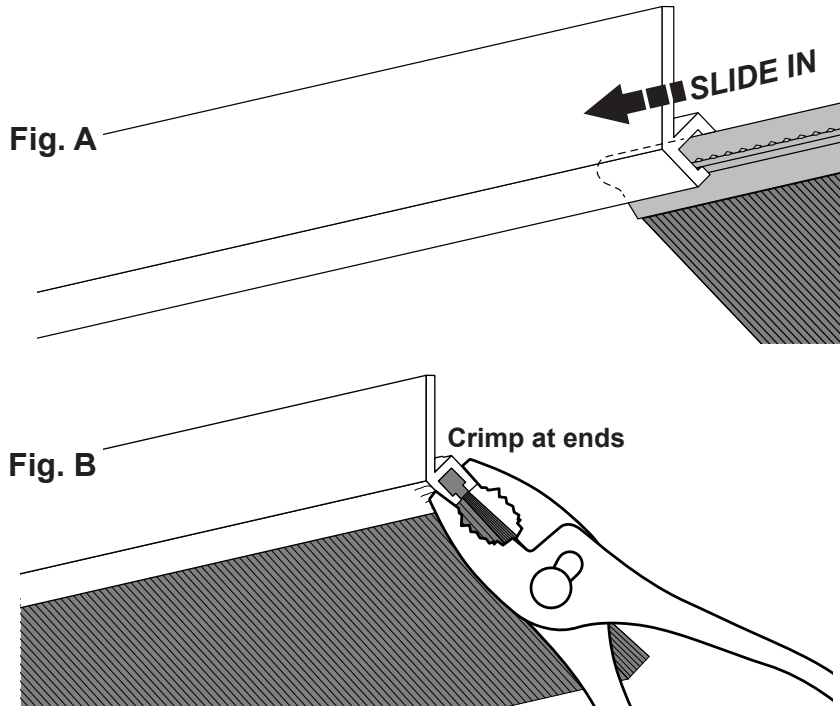


✓ **BEGIN**

1 Assemble (2) 36" door brushes as shown:

Slide door brush into channel (**Fig. A**).

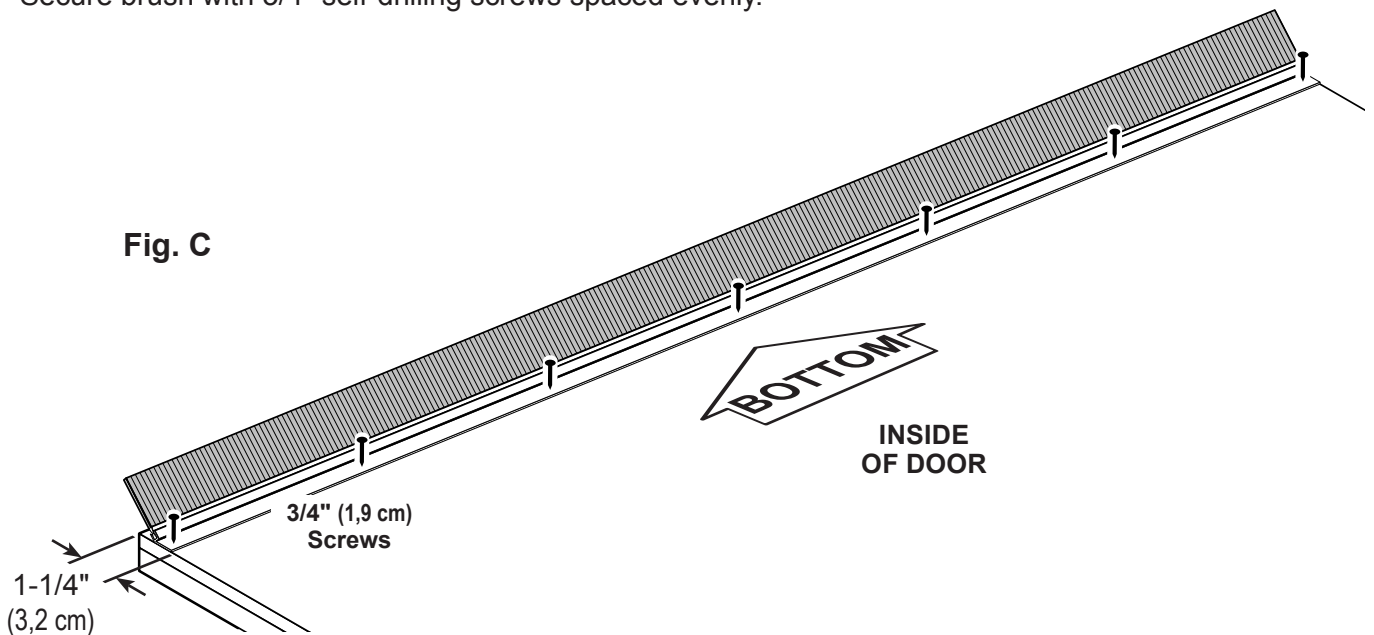
Crimp each end of channel (**Fig. B**).



* During assembly, if you encounter resistance while inserting brush, try inserting in the opposite end. You can also smooth out any burrs with a file or use a lubricant such as WD-40.

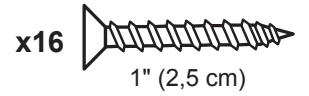
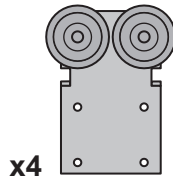
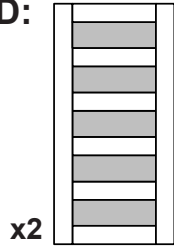
2 Install 36" door brush centered across inside of bottom of doors at measurement shown (**Fig. C**).

Secure brush with 3/4" self-drilling screws spaced evenly.



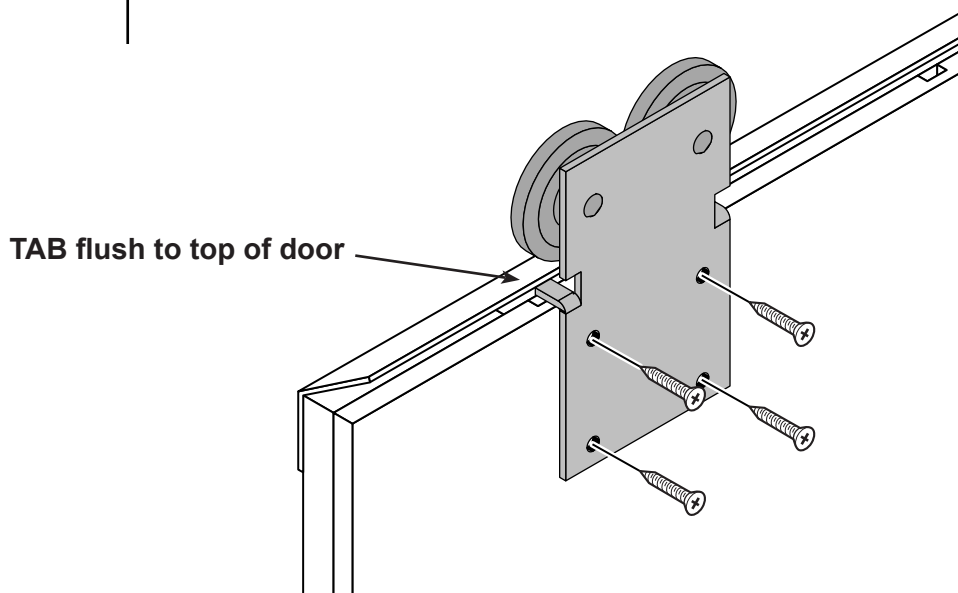
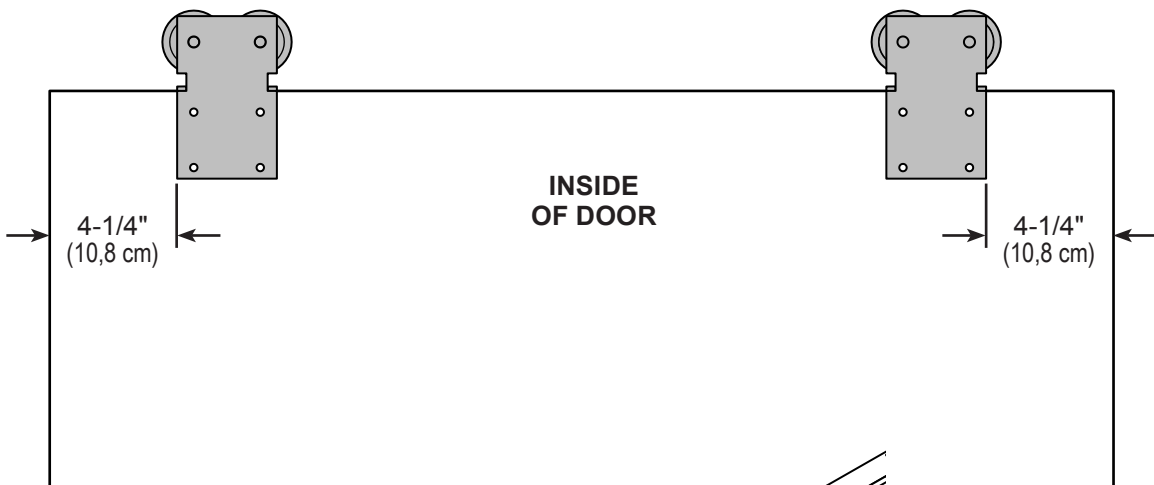
DOOR TROLLEYS

PARTS REQUIRED:



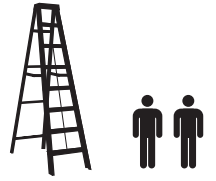
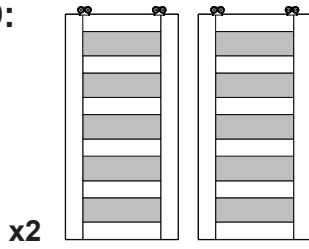
✓ **BEGIN**

- 1** Install (2) rolling door trolleys to inside top of each door using screws supplied in rolling door hardware bag. Position as shown.



DOOR INSTALLATION

PARTS REQUIRED:

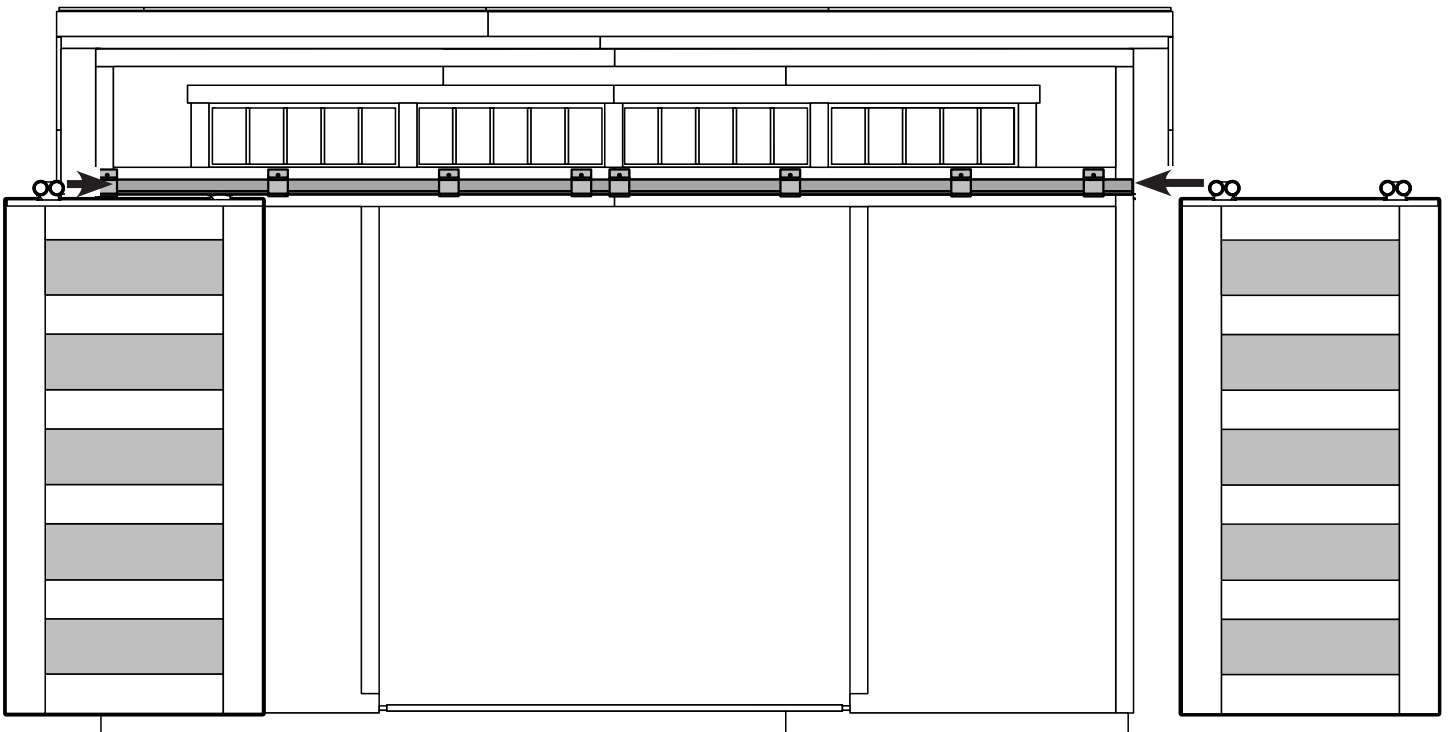
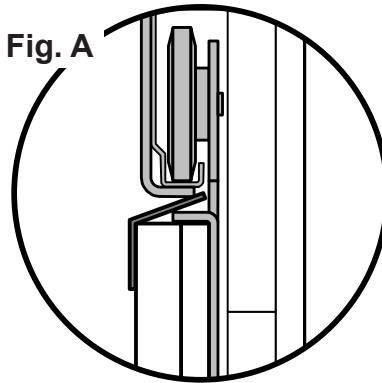


✓ BEGIN

- 1 Slide right and left door into track as shown (Fig. A).

NOTE:
Install doors into track slowly to prevent damage to rain channel.

Fig. A



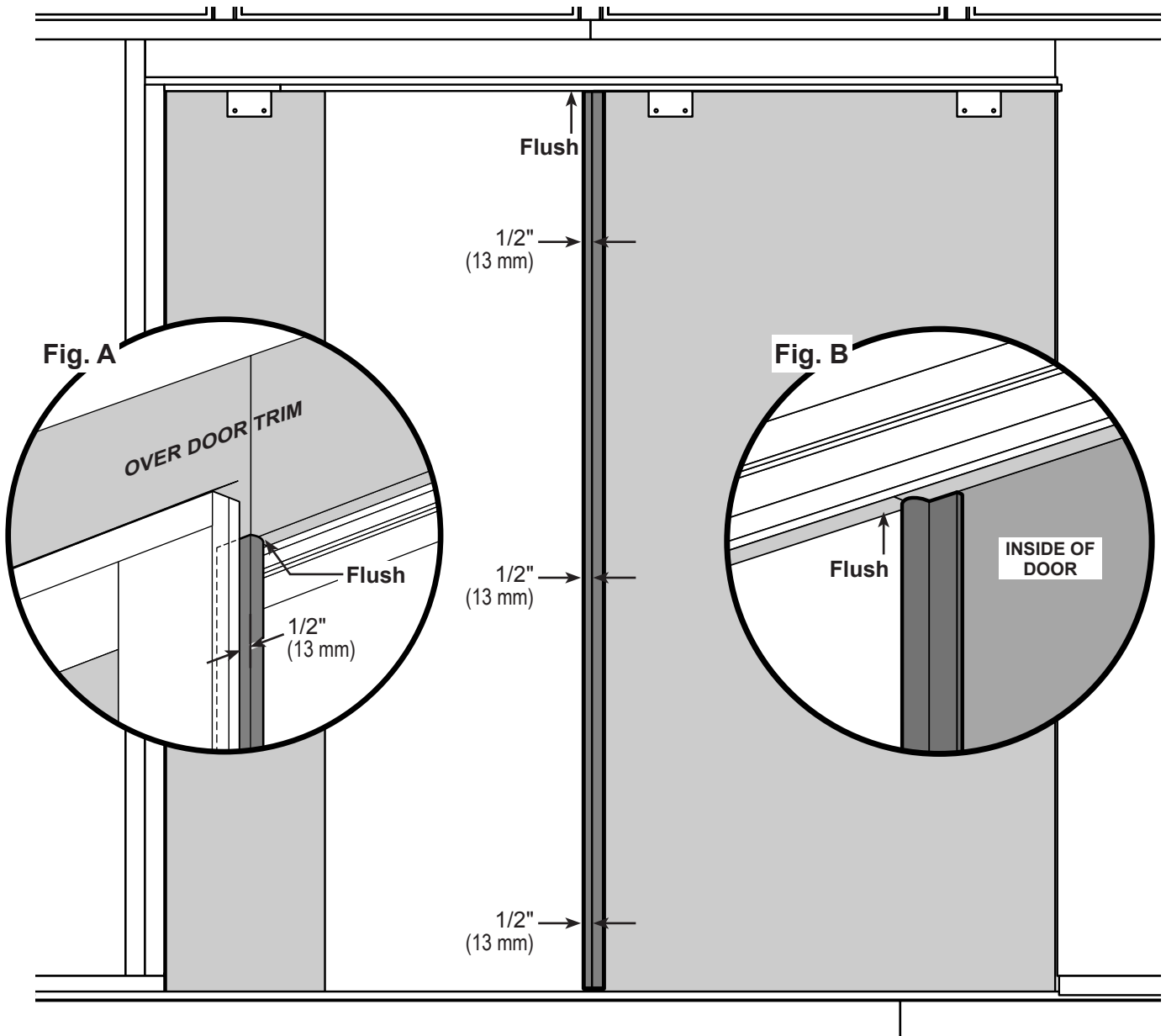
WEATHERSTRIP

PARTS REQUIRED:



✓ BEGIN

- 1 Peel adhesive backing from weatherstrip and install to inside of left door. Weatherstrip should be flush to bottom of over door trim and overhanging 1/2" past edge of door (**Fig. A, Fig. B**).



DOOR STIFFENERS

PARTS REQUIRED:

x2 **OO**
 1-1/4" x 2-1/2" x 69" (3,2 x 6,3 x 175,3 cm)



x14 2" (5,1 cm)

- Center each **OO** vertically on the inside of door between the floor and door header (**Fig. C**) and flush to edge of door (**Fig. D**).
 From outside, secure **OO** with (7) 2" screws through trim into **OO** (**Fig. D**).
 Space screws evenly.

Fig. C

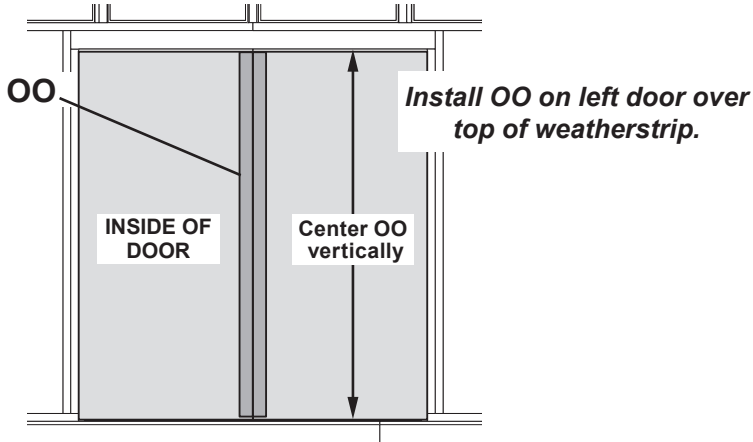
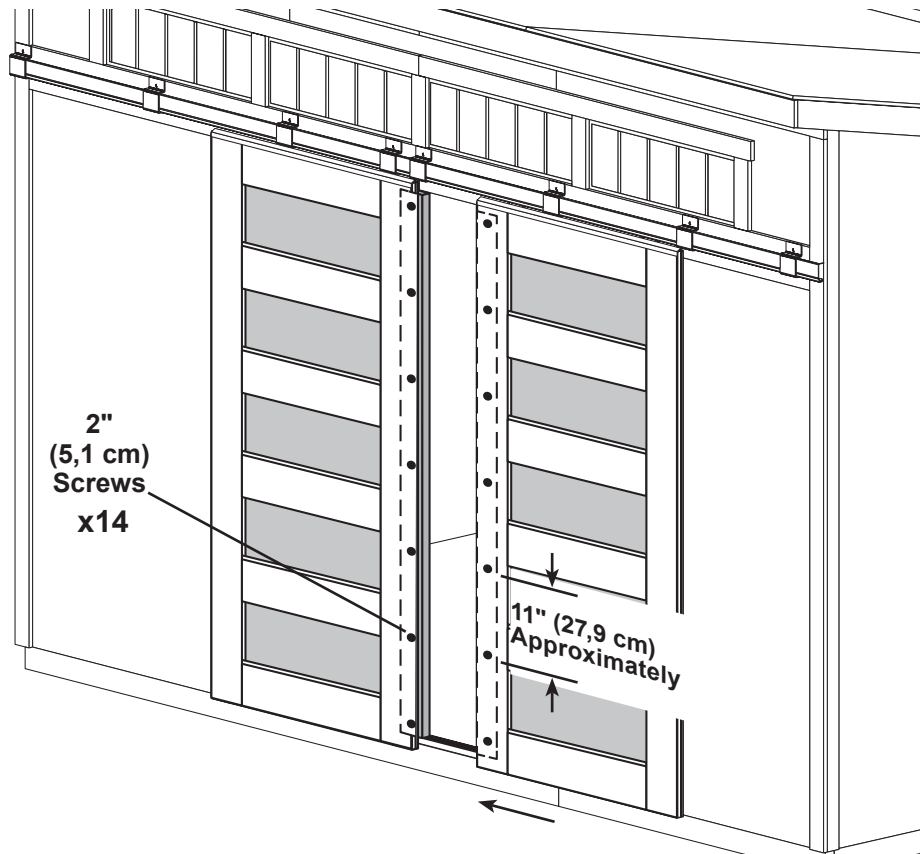
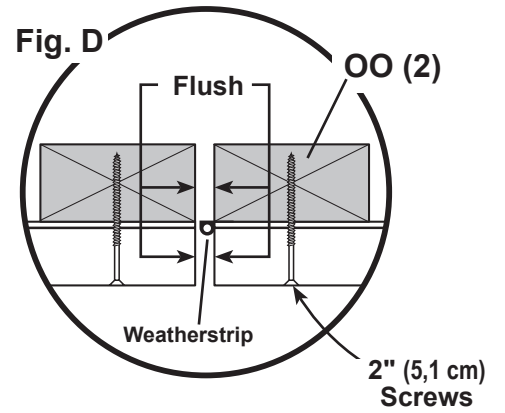


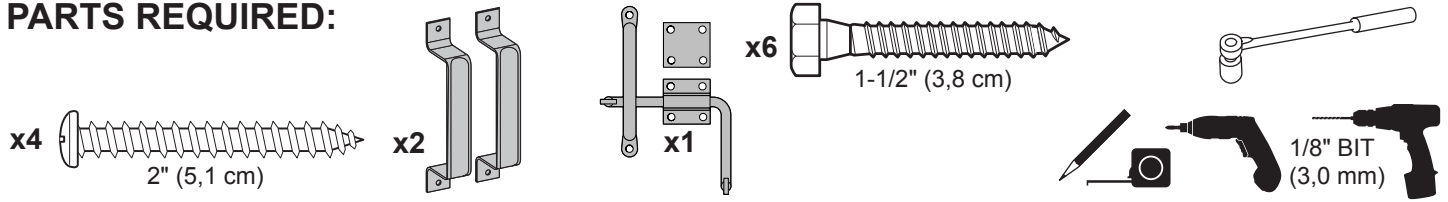
Fig. D



Your door stiffeners are now installed.

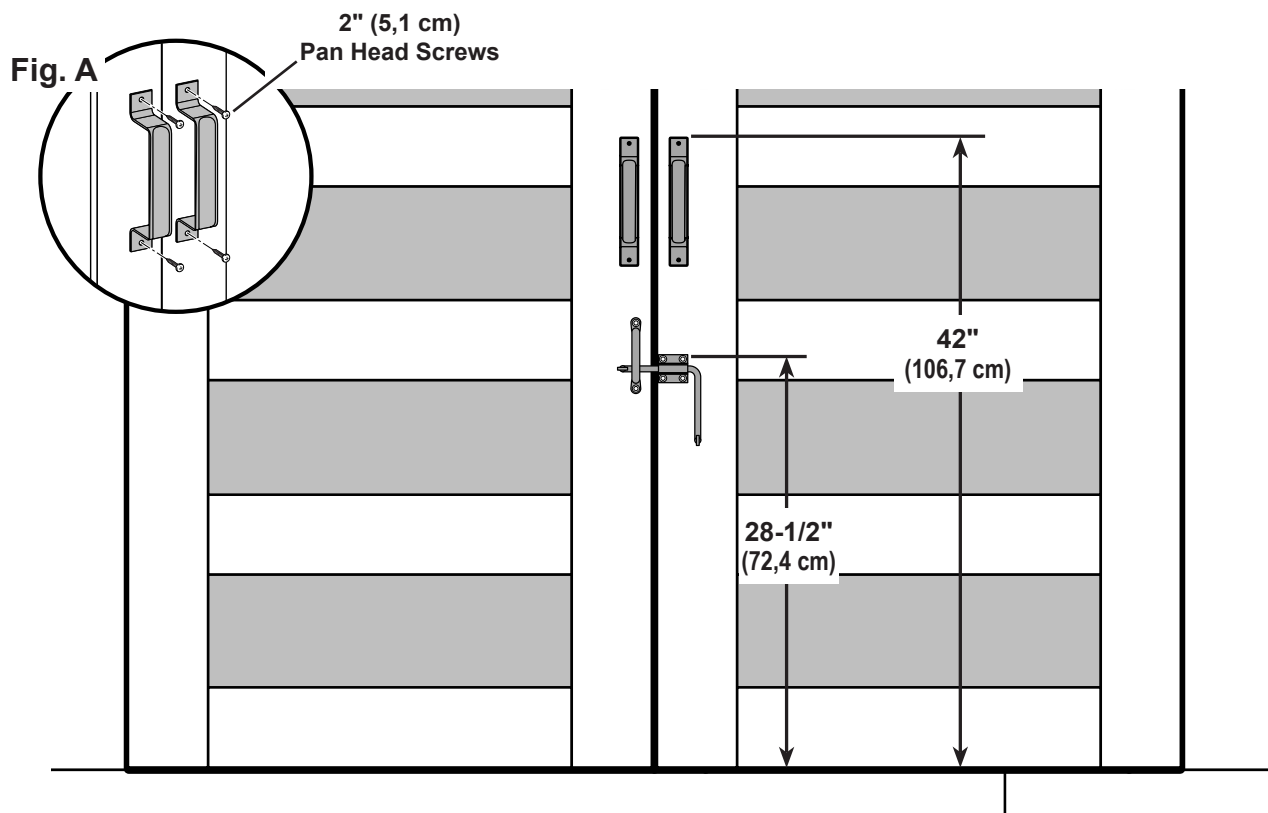
DOOR HARDWARE

PARTS REQUIRED:



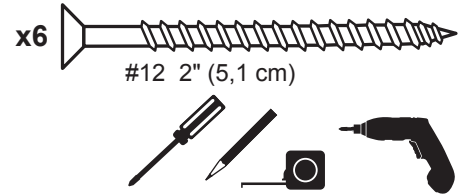
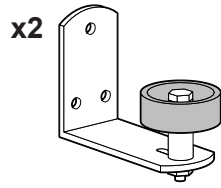
✓ BEGIN

- 1 Install door handles centered on trim and to measurement shown.
Secure handles to door with (4) 2" pan head screws (**Fig. A**).
Pre-drill using a 1/8" drill bit.
- 2 Refer to latch hardware packaging instructions for installation.
Install latch on right door to measurement shown.
Secure with 1-1/2" lag screws.



DOOR HARDWARE

PARTS REQUIRED:

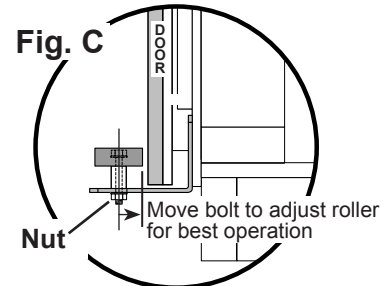
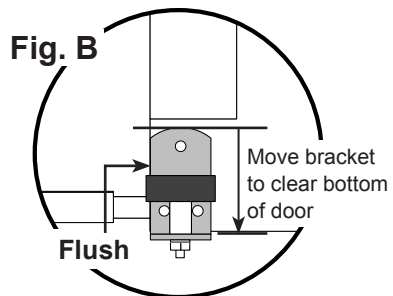
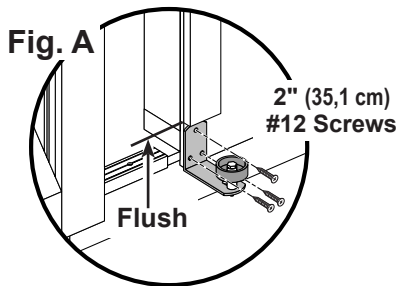
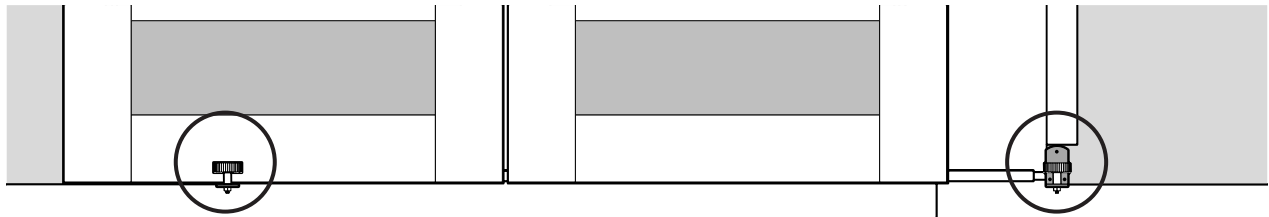


✓ **BEGIN**

1 Flush the stay roller bracket up underneath the vertical door trim and flush against wall panel (**fig. A**).

Roll the door all the way over the bracket. If the door does not hit the bracket, install bracket with 2" screws as shown in **Fig. A**.

If the door hits the stay roller bracket, move the bracket slightly down until the door clears the bracket (**Fig. B**), then install the bracket (**Fig. A**).



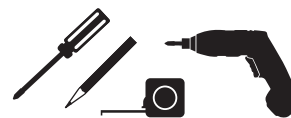
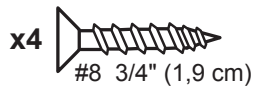
2 Loosen nut and move roller until door is hanging free.

Adjust roller for best operation (**Fig. C**).

Tighten nut securely.

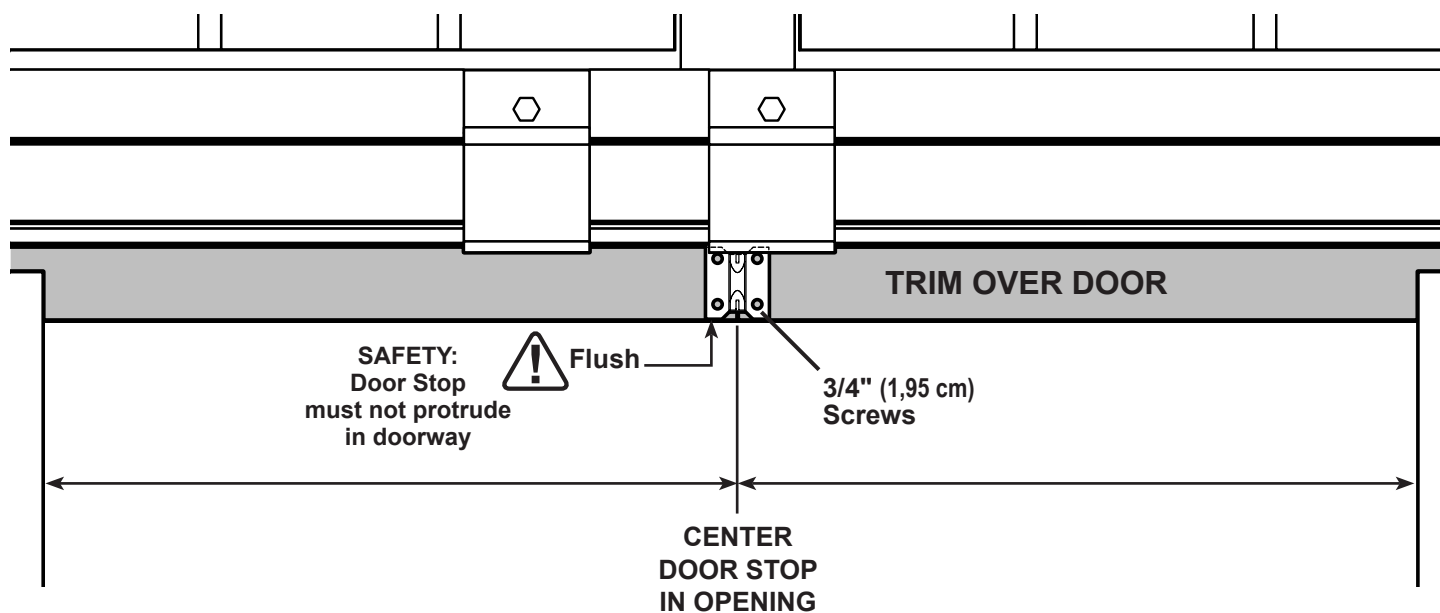
DOOR HARDWARE

PARTS REQUIRED:





✓ **BEGIN**

- 1** Install door stop centered on over door trim seam and flush to bottom of trim as shown.
Secure with (4) 3/4" screws.



DOOR HARDWARE

PARTS REQUIRED:

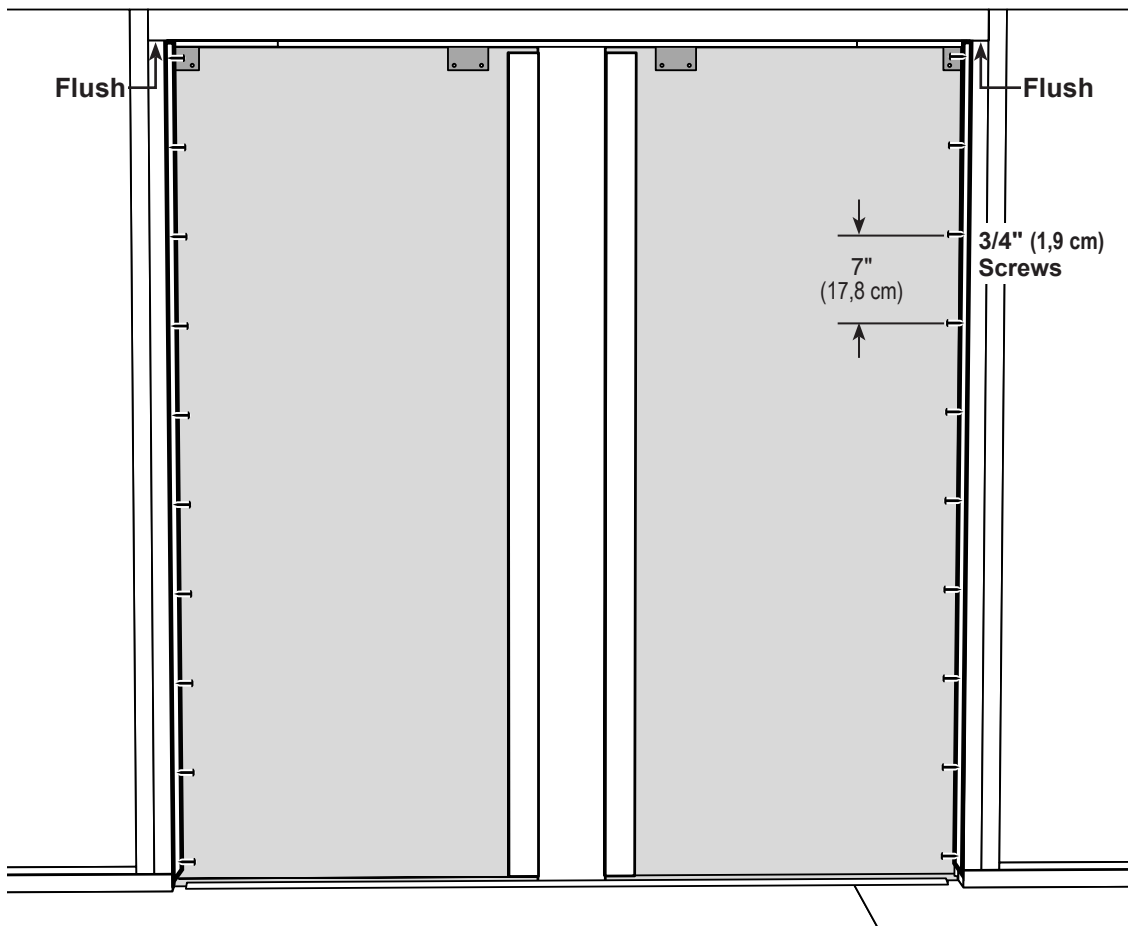
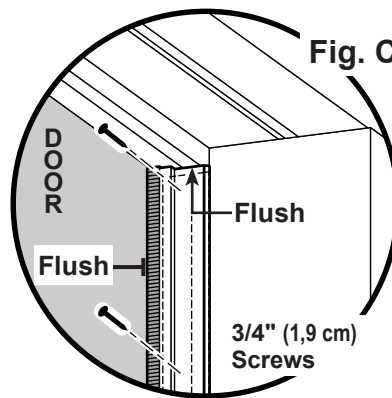
- x2  69-3/4" (177,2 cm) **Door Brush Channel**
- x2  69-3/4" (177,2 cm) **Door Brush**

x20  #8 X 3/4" (1,9 cm)
Self-Piercing
Round Head Screws



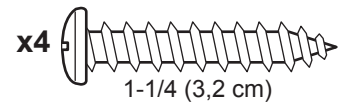
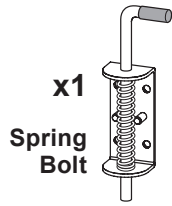
✓ BEGIN

- 1 Assemble (2) 69-3/4" door brushes as shown in STEP - 1, PAGE 59, **Fig. A** and **Fig. B**.
- 2 Install (2) 69-3/4" door brushes flush to over door trim and flush to inside of door (**Fig. C**).
Secure with 3/4" self-drilling screws as shown.
- 3 Re-adjust stay rollers if necessary.



DOOR HARDWARE

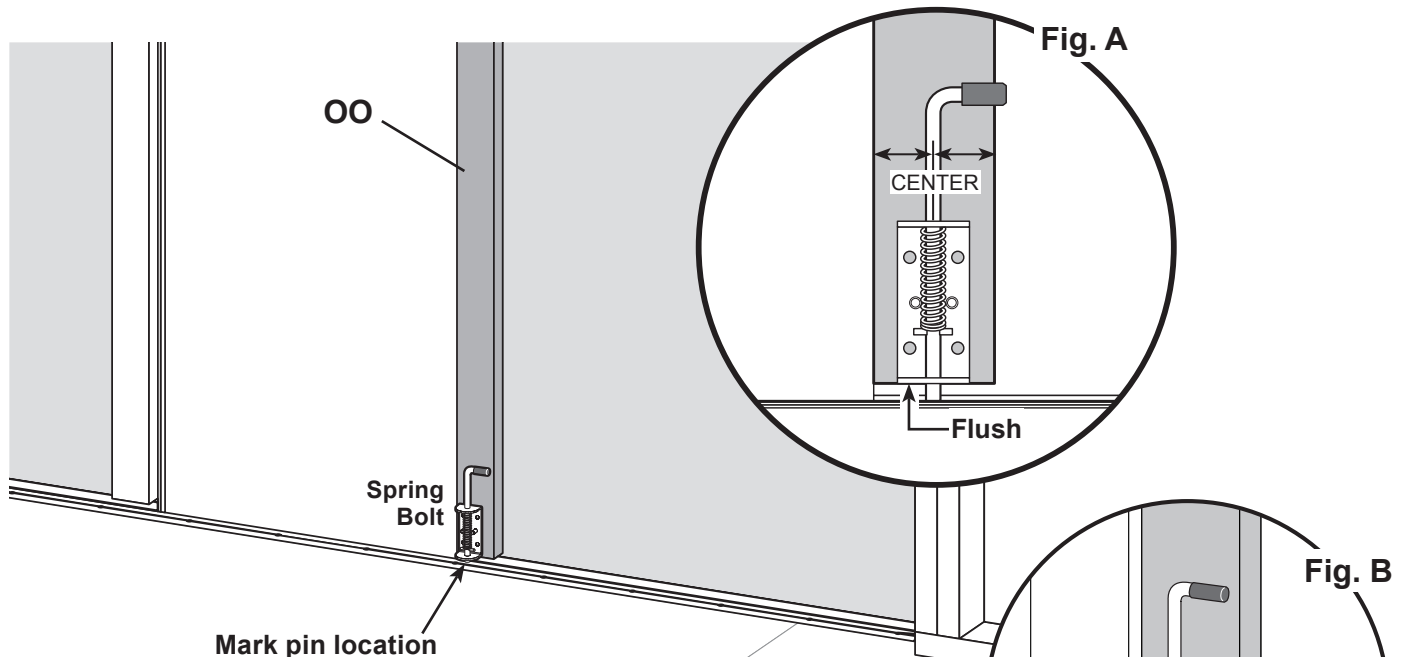
PARTS REQUIRED:



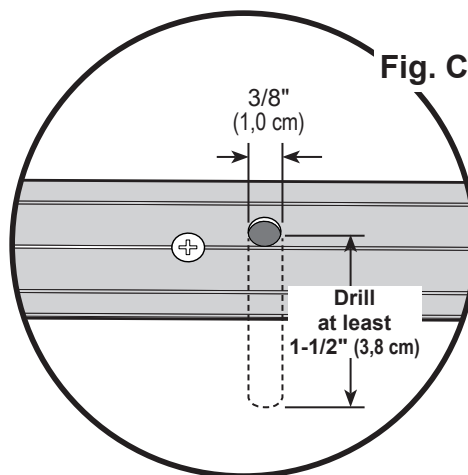
✓ **BEGIN**

1 Center spring bolt to inside left door vertical stiffener **OO**.

Flush bottom of spring bolt to bottom of **OO** (**Fig. A**). Secure with (4) 1-1/4" screws (**Fig. B**).



2 With door closed to the center stop, mark center location of spring bolt pin on metal threshold (**Fig. C**).



(4) 1-1/4" (3,2 cm)
Screws

3 Raise spring bolt pin and slide door open.

Pre drill metal threshold at mark using a 3/16" bit.

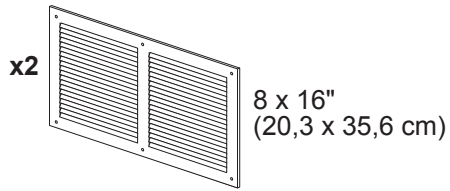
Re-drill hole using a 3/8" bit. Drill at least 1-1/2" deep into floor (**Fig. C**).


FINISH

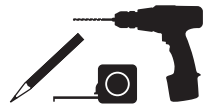
Your door hardware is now installed.

VENTS

PARTS REQUIRED:



x12 
1/2" (1,3 cm)



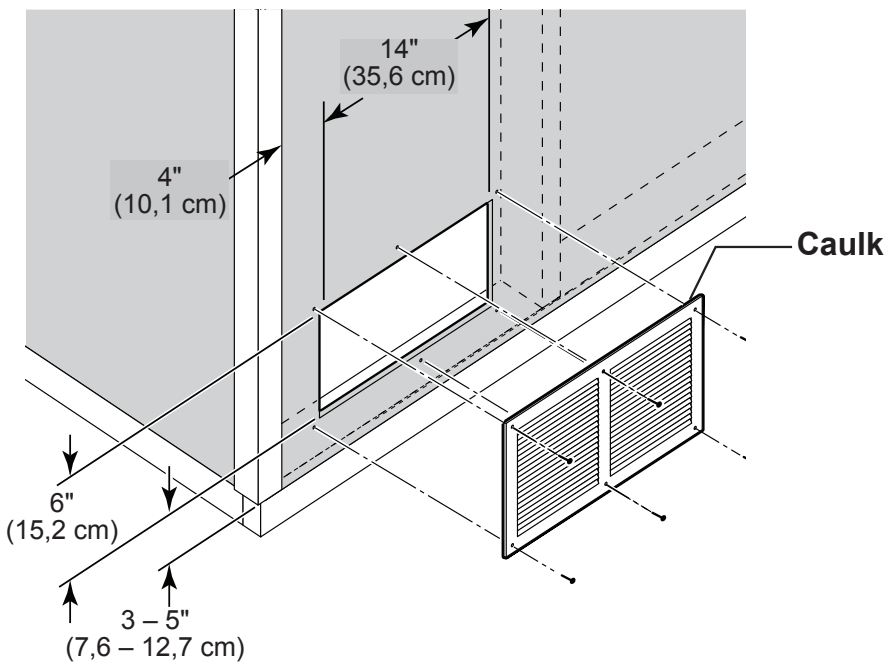
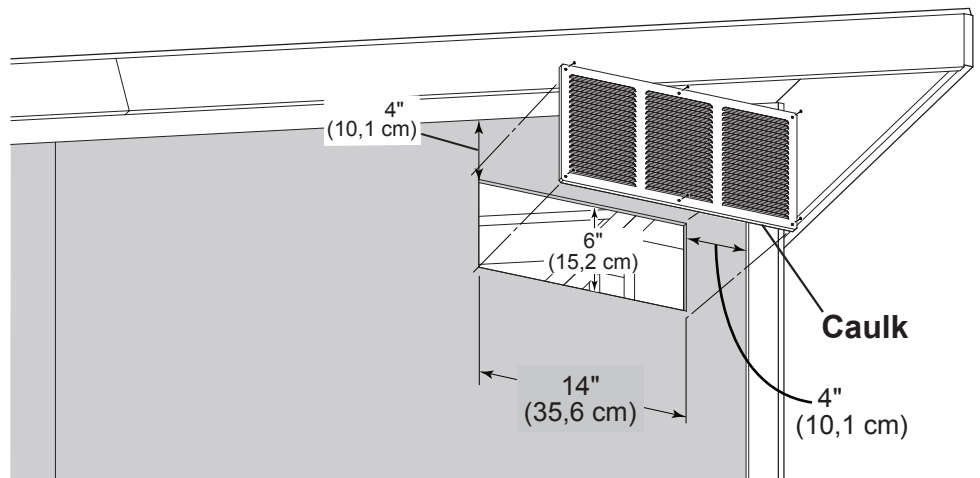
 **BEGIN**

1 Locate and mark for two vents in both side walls as shown. (1) at top and (1) at bottom

Cut out marked openings.

Caulk behind vent flanges.

2 Secure with 1/2" screws.



 **FINISH**

Your vents are now installed.

PAINT & CAULK - NOT INCLUDED -



- Use acrylic latex caulk that is paintable. Caulk at all horizontal and vertical seams, between the trim and walls, and all around the door trim.
- Use a high quality exterior acrylic latex paint. When painting your building, there are a few key areas that can be easily overlooked that must be painted:
 - Bottom edge of all siding and trim
 - Inside of doors and all 4 edges

Note:

Prime all un-primed exterior wood before painting.
(Follow directions provided by manufacturer.)

DRIP EDGE

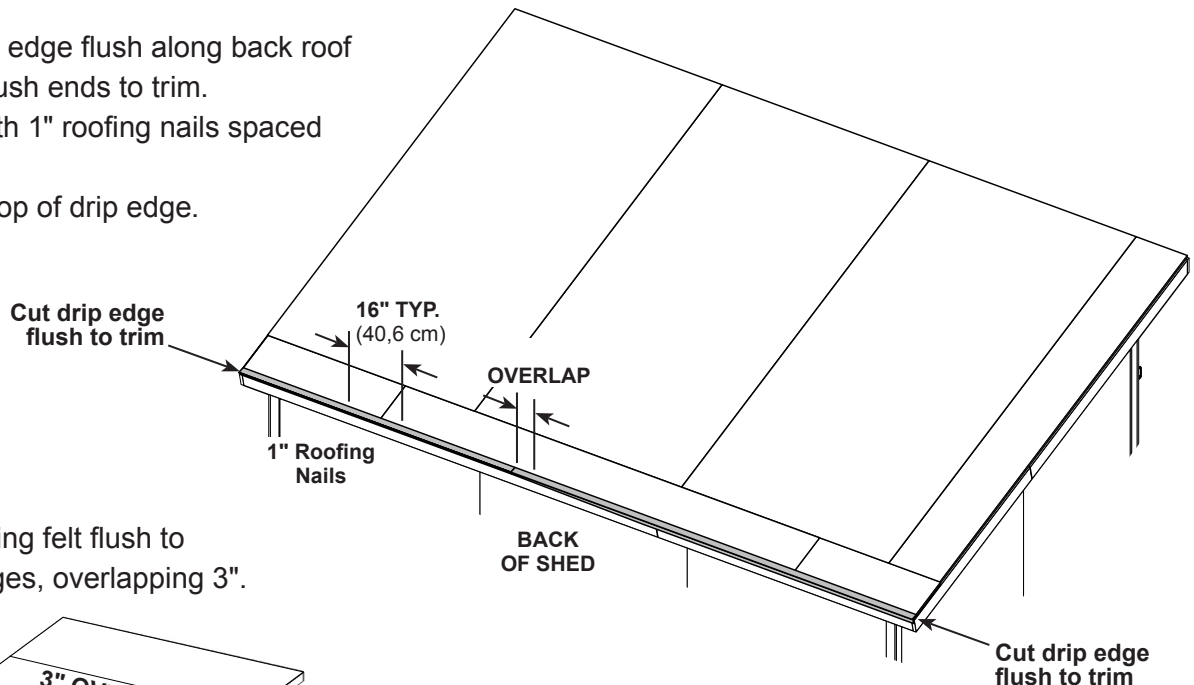
PARTS REQUIRED:



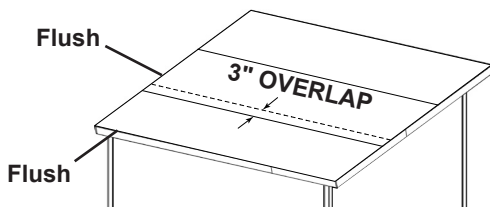
NOTE: Install drip edge to back of shed before installing roofing felt.


✓ BEGIN

- 1 Install drip edge flush along back roof panels. Flush ends to trim. Secure with 1" roofing nails spaced 6" apart. Only nail top of drip edge.



- 2 Install roofing felt flush to all roof edges, overlapping 3".



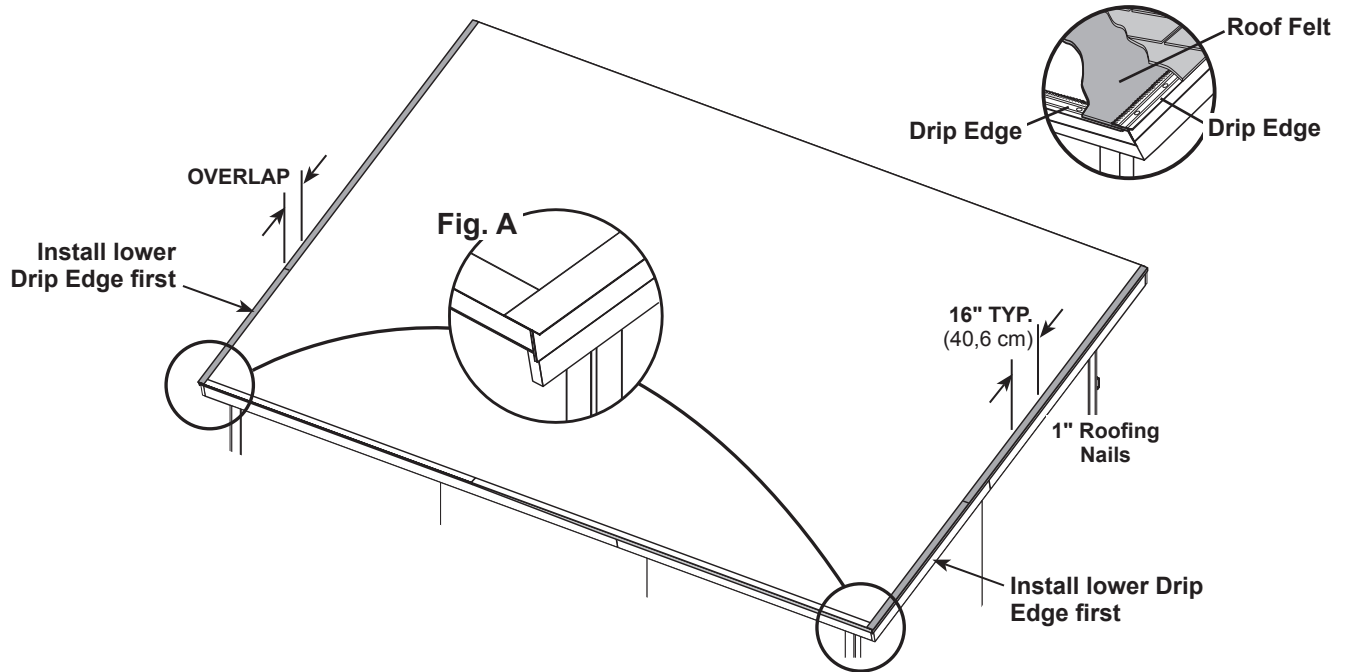
 **You must install roof felt to validate warranty.**

DRIP EDGE

PARTS REQUIRED:



- 3** Install side drip edge flush along roof panels. Flush ends to trim (**Fig. A**).
Secure with 1" roofing nails spaced 6" apart. Only nail top of drip edge.



You must install drip edge to validate warranty.



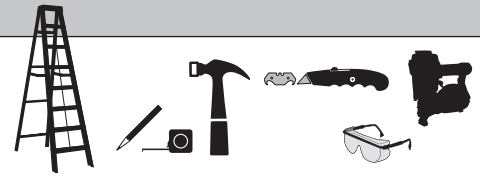
FINISH

Your roof is now ready to shingle.

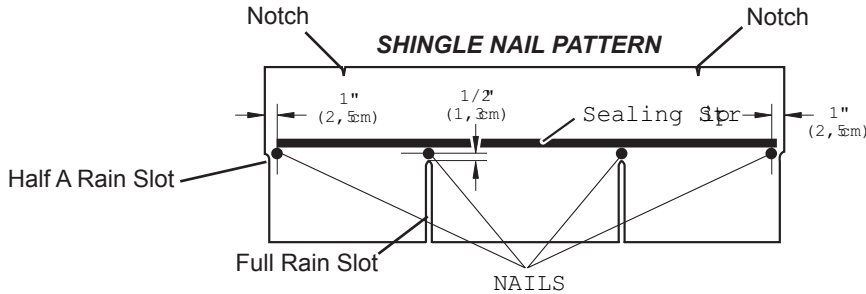
SHINGLES

- NOT INCLUDED -

• Follow directions provided by manufacturer and these instructions.



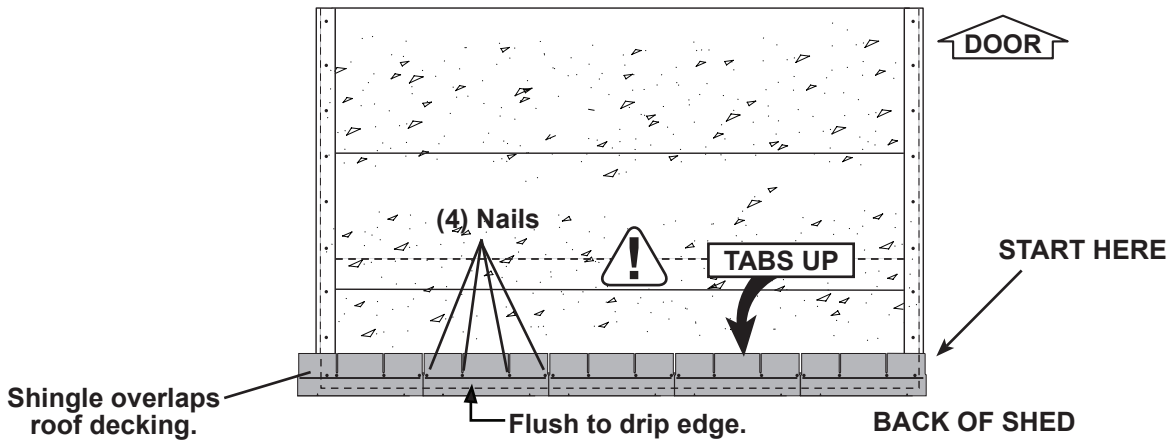
! Familiarize yourself with a 3-Tab Shingle.



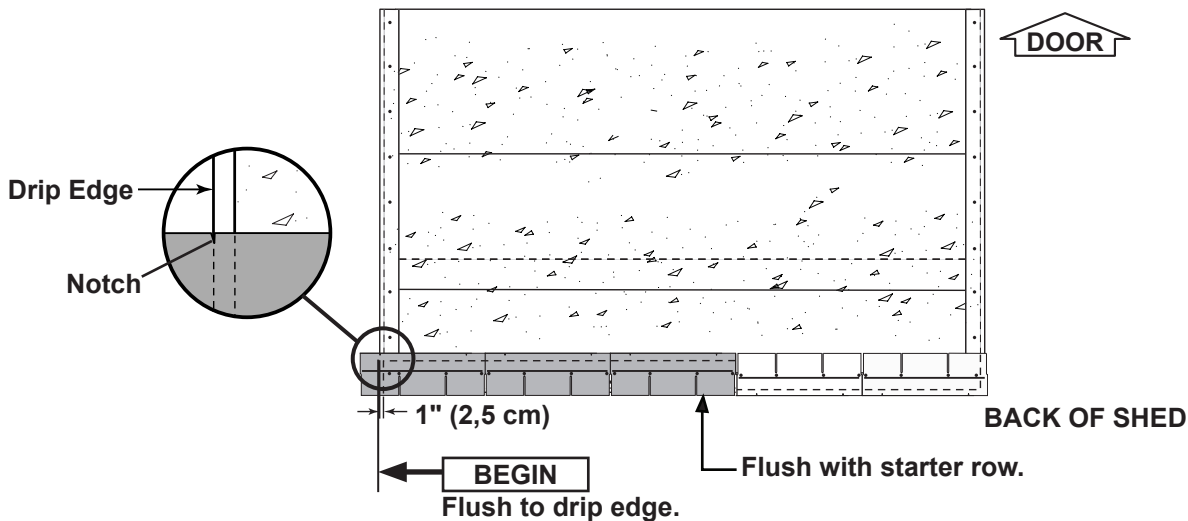
! NEVER DRIVE FASTENERS INTO OR ABOVE SEALING STRIPS.

✓ **BEGIN**
1

Install first starter row upside down, color up and flush to drip edge at bottom of roof panel. Use (4) nails per shingle. Starter row must be straight and level all the way across with lower edge of roof deck.



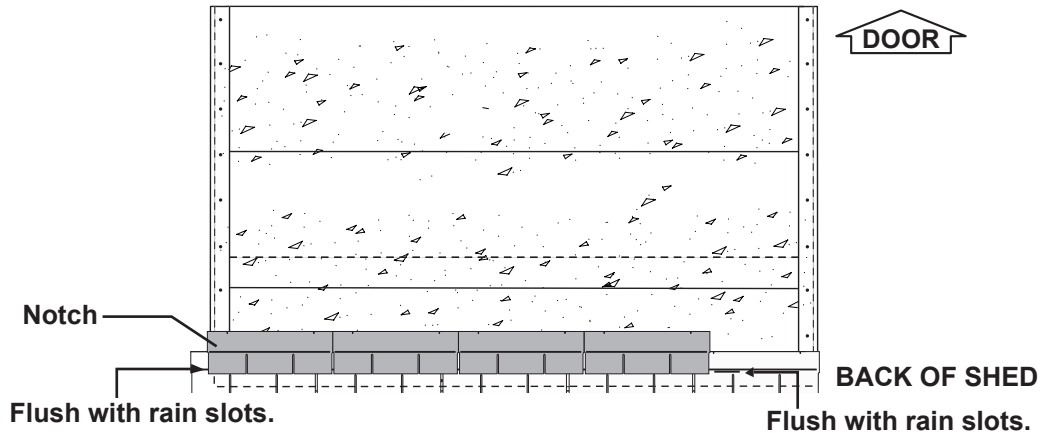
2 Begin where indicated on image below, install first row of shingles with notch flush with drip edge.



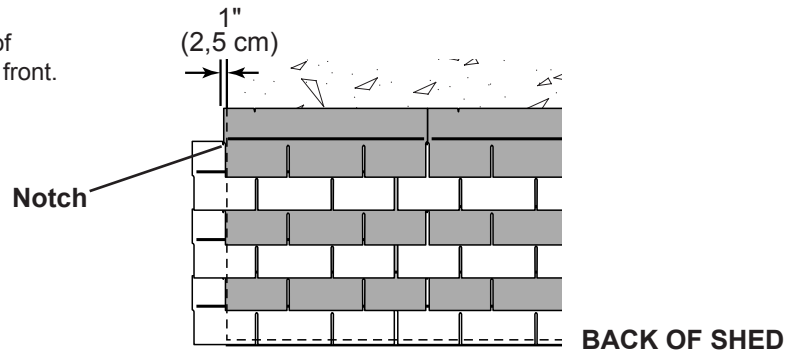
SHINGLES

continued...

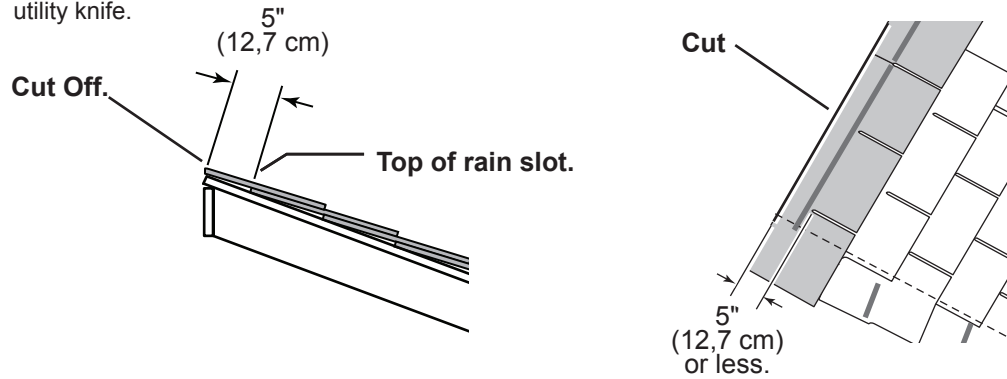
- 3** Install second row of shingles flush at top of first row's rain slots. Ensure flush to drip edge at front side, stagger each row.



- 4** Continue installing rows of shingles by staggering at front.

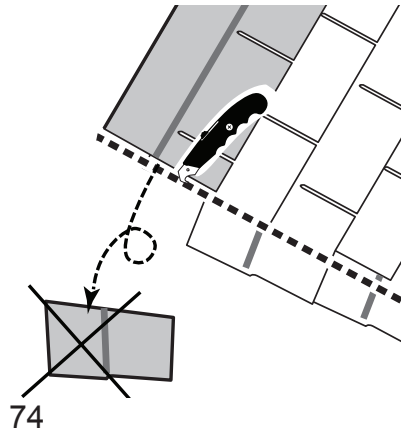


- 5** Continue installing rows of shingles to the front of the shed. At the front edge of the shed make sure there is a maximum of 5" or less to the rain slot, as shown below. If shingles overlap at front roof edge cut to roof edge with a utility knife.



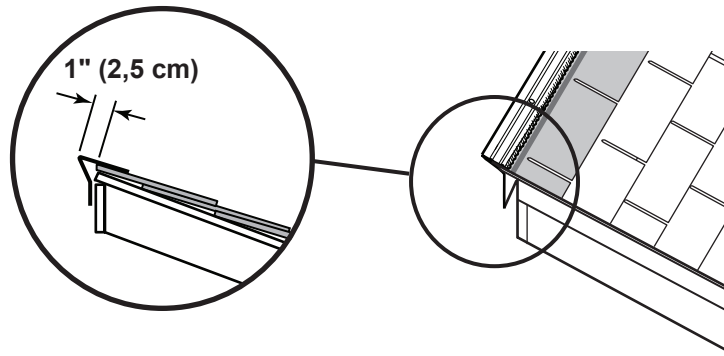
- !** • If more than 5" to rain slot you must install another row of shingles.

- 6** Using your shingle hooked blade carefully cut shingles along chalk line.

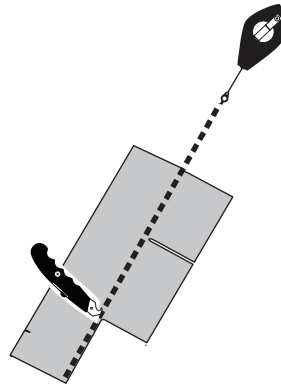


SHINGLES - DRIP EDGE

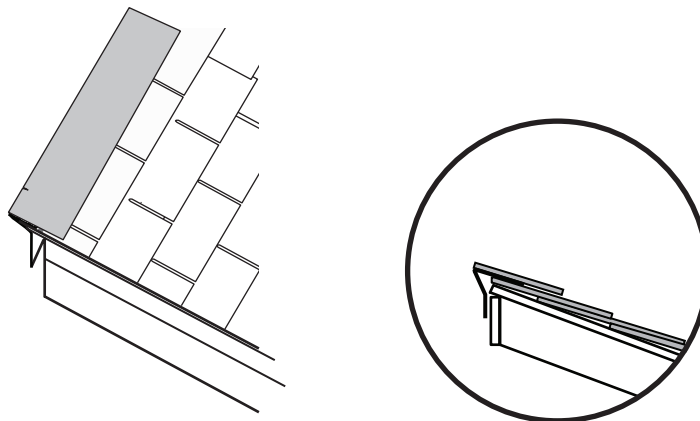
- 7 Install drip edge over top shingle row with 1" overhang over roof edge.



- 8 Using your shingle hooked blade carefully cut shingles on a flat surface along the rain slots, using a chalk line for reference.



- 9 Align remaining shingles with edge of the front drip edge.



You have finished shingling your roof.

16916-B 12' x 8' Order Form

CATEGORY	PART DESCRIPTION	PART SIZE	PART ITEM #	BUILDING QTY.	PART ID
2 X 3	Gable Fascia Backer	LUM SPF 2 X 3 X 72 #2&BTR	Q 7200000000	2	OY
	Gable Fascia Backer	2 X 3 X 31 15/16" 12.5" O/E	Q 3115130000	2	RMA
	Front Eave Extensions	2 X 3 X 10-7/16" 12.5" US EAVE EXTENSION	Q 10071313000	11	QVA
	Back Wall Filler	LUM SPF 2X3X96 #2&BTR	12115	1	PT
	Back Wall Filler	2 X 3 X 59-1/4" BACK WALL FILL	Q 5904000000	1	GKA
2 X 4	Back Wall Studs	2 X 4 X 68" STUD	O 6800000000	7	UM
	Back Wall Top & Bottom Plates/Doubler "A"	LUM SPF 2X4X96 #2&BTR	12306	4	TP
	Back Wall Top & Bottom Plates	2X4X48" DOUBLER/ PLATE/ CRATE	O 4800000000	4	SP
	Side Wall Studs	2 X 4 X 78-1/16" 12.5" O/E STUD	O 78010000130	2	OFB
	Side Wall Studs	2 X 4 X 82-1/2" 12.5" O/E STUD	O 82080000130	2	NES
	Side Wall Studs	2 X 4 X 86-15/16" 12.5" O/E STUD	O 86150000130	2	KTB
	Doubler "B"	LUM SPF 2X4X72 #2&BTR	O 7200000000	2	TM
	Front Wall Framing Bottom plate	2 X 4 X 40" PLATE	O 4000000000	2	SKA
	Front Wall Framing	2 X 4 X 86-1/8" CRATE LONG SIDE	O 8602000000	2	OHB
	Jack Stud	2 X 4 X 68-9/16" STUD	O 6809000000	2	NCE
	Header	2 X 4 X 67"	O 6700000000	2	AM
	King/Frontwall Stud	*2X4X72-1/2" #2&BTR	O 7208000000	4	PTA
	Front Wall Framing Top Plate	2 X 4 X 70 1/2"	O 7008000000	2	AYA
	Front Wall Framing Cripples	2 X 4 X 12-1/8" CRIPPLER	O 1202000000	5	PPA
Rafters	2 X 4 X 92 3/16" 12.5" 12.5" RAFT	O 92031313000	11	SDC	
2 X 4 TREATED FLOOR FRAME	Floor Bonds	LUM TRTD 2 X 4 X 96 #2&BTR	P 9600000000	2	---
	Floor Bonds	LUM TRTD 2 X 4 X 48 #2&BTR	P 4800000000	2	---
	Floor Joists	LUM TRTD 2 X 4 X 87 #2&BT	P 8700000000	10	---
1 X 3 PINE	Side Rake Framing	LUM SPF 1X3 X72" SO EDGE PET	U 7200000000	2	HJ
	Side Rake Framing	1 X 3 X 31-15/16" 12.5" O/E TRIM	U 3115130000	2	THB
	Gauge Block	1 X 3 X 5" PINE FILLER	U 0500000000	1	GAA
7/16 OSB	Upper Roof Panel "A"	OSB 7/16" x 4' x 8'	11110	3	---
	Upper Roof Panel "B"/Small Roof Panel "A"	7/16" OSB 11 7/8" X 96"	Q 96001114000	1	---
	Small Roof Panel "B"	7/16" OSB 10-11/16" X 96" ROOF PANEL	C 96001011000	1	---
	Small Roof Panel "C"	7/16" OSB 10-11/16" X 31-7/8"	C 31141011000	1	---
	Small Roof Panel "D"	7/16" OSB 10 11/16" X 28" ROOF PANEL	C 28001011000	1	---
	Header Filler	7/16" OSB 3 1/4" X 66 3/4" HEADER	C 66120304000	2	---
5/8 OSB	Floor Panel "A"	OSB 5/8" X 4' X 8'	11117	1	---
	Floor Panel "B"	5/8" OSB 42" X 96" FLOOR PANEL	E 96004200000	1	---
	Floor Panel "C"	5/8" OSB 48" X 90" FLOOR PANE	E 90004800000	1	---
NO GROOVE SIDING	Frontwall Panel - Right	*NG SANTA CLARA RGT FRONTWALL	K 96004800301	1	---
	Frontwall Panel - Left	*NG SANTA CLARA LEFT FRONTWALL	K 96004800401	1	---
	Backwall Panels	SIDING NCSE 3/8X4X76"	11501	3	---
	Side Walls Short Panel- Right	NG SANTA CLARA RGT SIDEWALL	K 84004800130	1	---
	Side Walls Short Panel- Left	NG SANTA CLARA LFT SIDEWALL	K 84004800230	1	---
	Side Walls Long Panel-Right	NG SANTA CLARA RGT SIDEWALL	K 96004200130	1	---
	Side Walls Long Panel-Left	NG SANTA CLARA LFT SIDEWALL	K 96004200230	1	---
	Front Wall Filler "A"	3/8" NG 10-7/16" X 48" OVER DOOR PANEL	K 48001007000	1	---
	Front Wall Filler "B"	3/8" NG 4-1/2" X 48" SOFFIT	K 48000408004	1	---
	Window Filler	3/8" NG 1 1/2" X 9"	K 09000108000	1	---
	Side Soffit Panels	3/8" NG 5 1/4" X 94-7/16" SOFFIT	K 94070504000	2	---
	Right Wall Filler	3/8" NG 2-11/16" X 12-1/4" WALL FILLER	K 12040211100	1	---
	Left Wall Filler	3/8" NG 2-11/16" X 12-1/4" WALL FILLER	K 12040211200	1	---
	Front Wall Soffit	3/8" NG 10 3/8" X 75-5/8" SOFFIT	K 75101006000	1	---
	Front Wall Soffit	3/8" NG 10 3/8" X 79-5/8" SOF	K 79101006000	1	---
	Right Back Corner Trim	3/8" NG 2" X 73 7/16" 12.5" O/E	K 73070200130	1	---
	Left Back Corner Trim	3/8" NG 2" X 73 7/16" 12.5" O/E	K 73070200230	1	---
	Corner Trim Back	3/8" NG 2" X 73-5/16" CORNER TRIM	K 73050200000	2	---
	Right Front Corner Trim	3/8" NG 2" X 93 1/8" 12.5" O/E	K 93020200130	1	---
	Left Front Corner Trim	3/8" NG 2" X 93 1/8" 12.5" O/E	K 93020200230	1	---
19/32 X 3 SMART TRIM	Vertical Trim	19/32 TST 2 1/2" X 67-3/4" TRIM	UT67120208000	2	TJB
	Upper Horizontal Trim	19/32 TST 2 1/2" X 72 3/4"TRIM	UT72120208000	2	ZD
	Horizontal Window Trim	19/32 X 2-1/2" X 58-3/4"	UT58120208000	2	TTB
	Front Corner Trim	19/32 TST 2 1/2" X 90-5/8"	UT90100208000	2	VAA
	Transom Window Trim	19/32 TST 2 1/2" X 9" TRIM	UT09000208000	5	EY
19/32 X 4 SMART TRIM	Front Eave Trim	19/32 X 3-1/2" X 69-1/2"	UT69080308000	1	WAB
	Gable Trim - Right	19/32 TST 3 1/2" X 61 1/16" 12.5" O/E	UT61010308130	1	UDR
	Gable Trim -Left	19/32 TST 3 1/2" X 61 1/16" 12.5" O/E	UT61010308230	1	UDL
	Gable Trim	19/32 TST 3 1/2" X 45"	UT45000308000	2	WOA
	Front & Back Eave Trim	19/32 TST 3 1/2" X 96"	UT96000308000	2	ZX
	Back Eave Trim	19/32 TST 3 1/2" X 59-1/4" EAV	UT59040308000	1	HBA
19/32 X 6 SMART TRIM	Over Door Trim	19/32 TST 5 1/2" X 70 1/4"	UT70040508000	2	CMB
PURCHASED COMPONENTS	Door Stiffener	LSL 1-1/4 X 2-1/4 X 69 PET	12715	2	OO
	Threshold	THRESHOLD 7/8" X 1-1/2" X 63-7/8	15420	1	---
	6D Nails	NAIL 6D 2" BOX HDG BOX	15105	4	---
	10D Nails	NAIL 10D 3" BOX HDG BOX	15109	4	---
	Simpson Roof Clips	RAFTER TIE (SIMPSON H 2.5 A)	15706	11	---
	Exterior Vent- white	VENT 16" X 8" EXTERIOR (WHITE)	15902	2	---
	Transom window (single)	WINDOW 9 X 27 TRANSOM (SINGLE)	15235	4	---
	Locking Latch	LATCH- SANTA CLARA - NATMAN # N156-042	15585	1	---
	Door Drip Edge	GALVANIZED STEEL - 1-3/8" x 1" x 36" TOP DOOR FLASHING - 26 GAUGE	15604	2	---
	Barn Door Hardware Package	H/K TROLLEY AND HANDLE PACKAGE - SANTA CLARA (MWI # TP005-2A)	15735	1	---
	Aluminum Brush Assembly	ALUM BRUSH SYSTEM 69-3/4" (OT - 1.500) - (Q25 & 2.5G - PBC110540)	15506	2	---
	Aluminum Brush Assembly	ALUM BRUSH ASSEMBLY 36" (OT - 1.630) - (R25 - PBC102936) - (2.5G PBC102934)	15505	2	---
	6" Barn Door Track	TRACK ASSEMBLY 6" - (MWI # 103060006)	15143	2	---
	Stay Roller	STAY ROLLER GUIDE - 2-1/16" WHEEL (MWI # 100950000)	15358	2	---
	Door Strike	HASP REPLACEMENT STRIKE WITH 15/16" PROJECTION (1724A4)	15069	1	---
	Hardware Kit	HK (SANTA CLARA 33046) 12X8 COSTCO	15989	1	---
Hardware Kit	HK 3/4" SCREWS FOR DOOR REINF	15837	1	---	
Spring Bolt	SPRING BOLT, 1.63 TRAVEL, W/SCREWS	15129	1	---	
PACKAGING	Instructions		16916-B	1	---

	30156	36 x 72 Door Assembly			
Door Assembly	Door Panel	3/8" NG 36" X 72" DOOR PANEL - 1X6 TRIM	K 72003600000	1	---
	Horizontal Rail	19/32 TST 5 1/2" X 25"	UT25000508000	6	RGE
	Vertical Door Stiles	#N/A	UT72000508000	2	#N/A

LIMITED CONDITIONAL WARRANTY*

Backyard Storage Solutions, LLC warrants the following:

1. Every product is warranted from defects in workmanship and manufacturing for 1 year.
2. All accessories, hardware and metal components are warranted for 2 years.
3. All Oriented Strand Board (OSB) is warranted for 2 years
4. Siding and Trim is warranted for 10 years.
5. Solar Shed windows are warranted for 1 year.
6. Cedar lumber is warranted for 15 years.
7. Preserved Pine is warranted for 10 years.
8. Redwood is warranted for 10 years.

Backyard Storage Solutions, LLC will repair, replace or pay for the affected part. In no event shall Backyard Storage Solutions, LLC pay the cost of labor or installation or any other costs related thereto. All warranties are from date of purchase. If a cash refund is paid on an affected part, it will be prorated from the date of purchase.

CONDITIONS

The warranty is effective only when:

1. The unit has been erected in accordance with the assembly instructions.
2. The unit has been properly shingled and painted or stained and reasonably and regularly maintained thereafter.
3. The failure occurs when the unit is owned by the original purchaser.
4. Backyard Storage Solutions, LLC has received the warranty registration card within thirty (30) days of purchase and notification of the failure in writing within the warranty period specified above.
5. Backyard Storage Solutions, LLC has had reasonable opportunity during the sixty (60) days following receipt of notification to inspect and verify the failure prior to commencement of any repair work.

REQUIREMENTS

Storage Buildings

To validate your warranty, it is necessary to properly maintain your Backyard Storage Solutions, LLC unit; shingle the roof and paint or solid-colored stain the siding using quality, 100% acrylic latex exterior product with a minimum of two (2) coats within thirty (30) days of assembly; caulk above all doors and all horizontal and vertical trim boards; paint and seal all exposed edges, sides and faces of siding/trim and OSB siding to include all exterior walls and all sides and all edges of doors.

Gazebos & Pergolas

To validate your warranty, it is necessary to properly maintain your Backyard Storage Solutions, LLC unit. This includes treating all of the exposed cedar and pine surfaces on your gazebo or pergola structure with an exterior grade wood preservative, an exterior oil-based semi-transparent stain, an acrylic latex exterior paint or an acrylic latex solid color exterior stain within 30 days of assembly and as needed thereafter to maintain your warranty.

Keep vegetation trimmed away from building and make sure siding panels and trim do not come in contact with masonry or cement. The minimum ground clearance for siding must be one half inch (½ inch) from concrete slab or two and one half inches (2 ½") from the ground when building is erected or constructed on a treated wood floor kit. Water from sprinklers must be kept off unit. In no event will Backyard Storage Solutions, LLC be responsible for any indirect, incidental, consequential or special damages nor for failure(s) that are caused by events, acts or omissions beyond our control including, but not limited to, misuse or improper assembly, improper maintenance (which eventually leads to rot or decay) and acts of God. Backyard Storage Solutions, LLC will not be held responsible for any labor costs incurred to construct your unit.

This warranty gives you certain specific rights that vary from state to state.

CLAIM PROCEDURE

To make a claim under this warranty, you can either call 1-888-827-9056 or email: customerservice@backyardproducts.com.

Please have ready the information below when you call or include the information in your email:

1. The model and size of the product.
2. A list of the part(s) for which the claim is made.
3. Proof of purchase of the Backyard Storage Solutions, LLC item, as shown on the original invoice or receipt.
4. Run code: found on exterior product label or assembly instructions enclosed in the product package.

All other inquiries can be mailed to:

Backyard Storage Solutions, LLC
Attn: Customer Service
1000 Ternes
Monroe, MI 48162

***WARRANTY TERMS MAY VARY OUTSIDE THE U.S.A.**

IMPORTANT: This is your warranty certificate.

10Y MV LDR: 3/20/2019