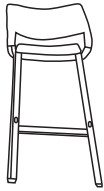
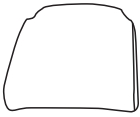
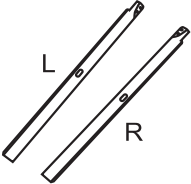
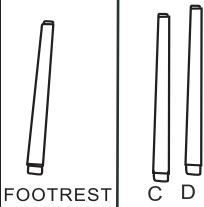
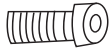


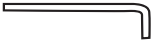

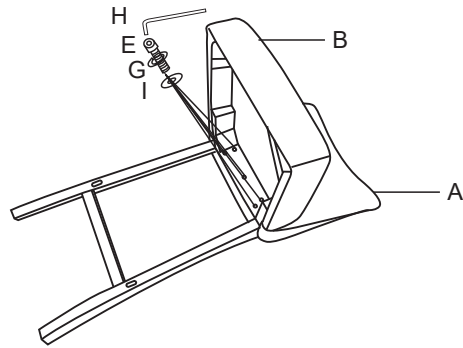


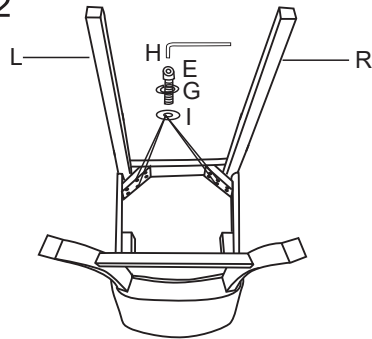
	Ax1 BACK	Bx1 SEAT	Cx2 FRONT LEGS	Dx3 SIDE STRETCHERS-CD FOOTREST	Ex9 SCREWS	Fx6 TAPPING SCREWS	Gx9 WASHER	Hx1 SPANNER	Ix9 SPRING WASHER
					 M8x60mm	 M4.5x45mm			

**STEP1**



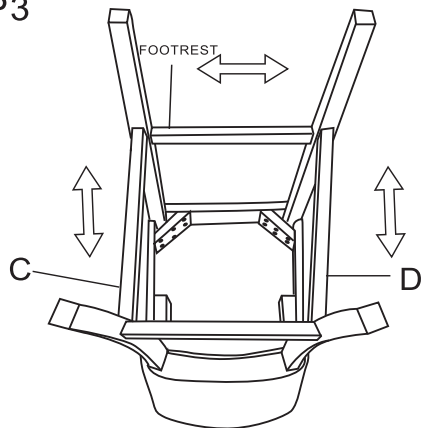
Loosely install the center bolt first, then loosely install both sides

**STEP2**



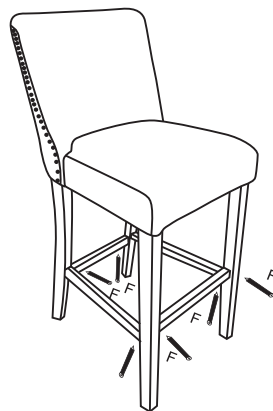
Firm pressure is required to push legs into the leg pockets

**STEP3**



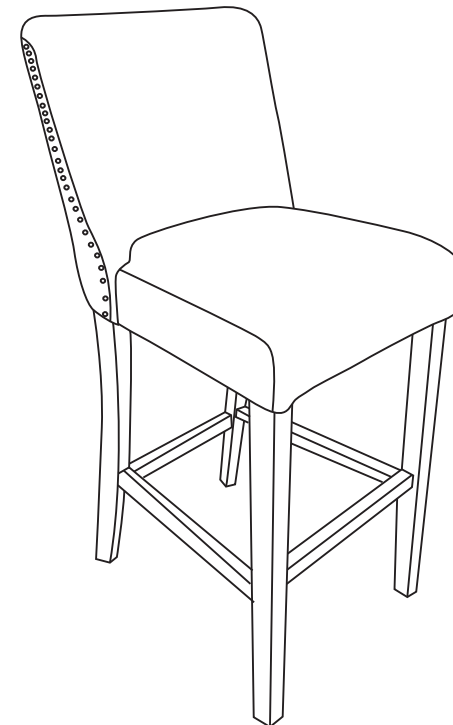
Note: Side stretchers are directional

**STEP4**



Tighten all bolts properly on even ground

**ASSEMBLY INSTRUCTION**



CLEANING OF PU/LEATHER COVER - WIPE CLEAN WITH A SOFT CLOTH MOISTENED WITH WATER AND NEUTRAL DETERGENT. DO NOT USE BLEACH,CHEMICAL OR BIOLOGICAL CLEANERS.