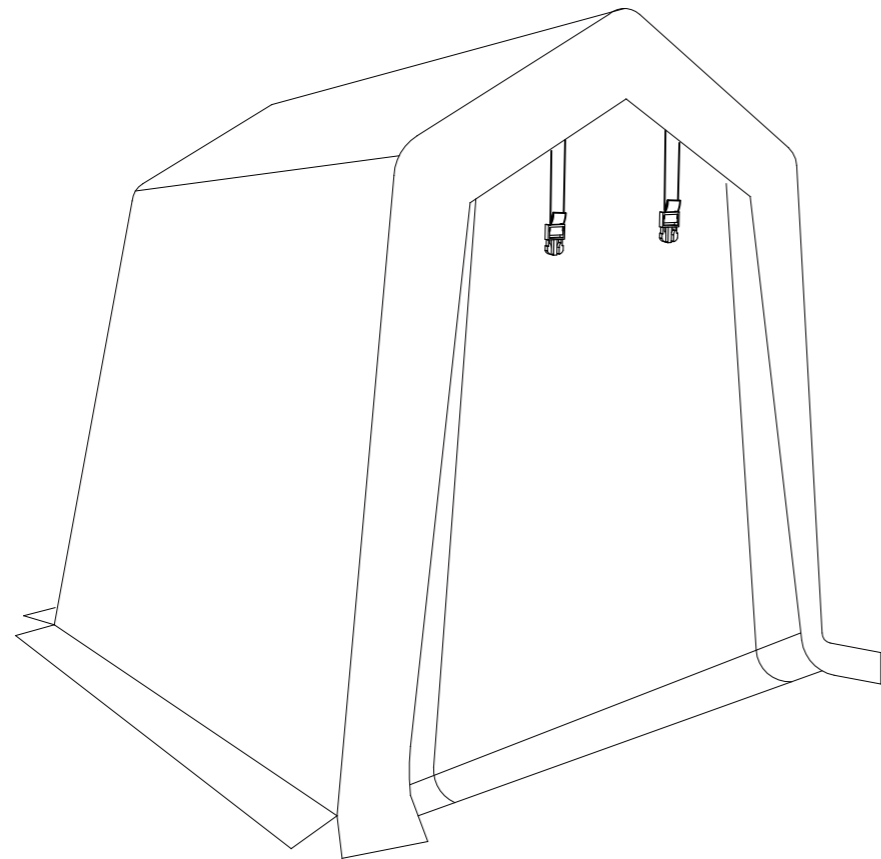


ASSEMBLY INSTRUCTIONS



OUTDOOR PORTABLE STORAGE SHELTER

Instruction Manual

Thank you for shopping with us!

We appreciate your purchase and are ready to be at your service!

If you find parts missing, broken, or hard to put together or when you are not satisfied or have any valuable suggestions, please do not hesitate to contact us first!

We will definitely give you a satisfactory solution or answer then!

Contact us at our after-sales service email:

CSsince1987@hotmail.com

ASSEMBLY INSTRUCTIONS

ASSEMBLY INSTRUCTIONS



1. Three or more people are required for the assembly.
2. A ladder is recommended during assembly.
3. Ensure you have all the required parts and organize them before assembling.
4. An electric drill is recommended for the assembly.
5. Do not use candles, matches or open flames of any kind inside or near a tent.
6. Professional installation is highly recommended.

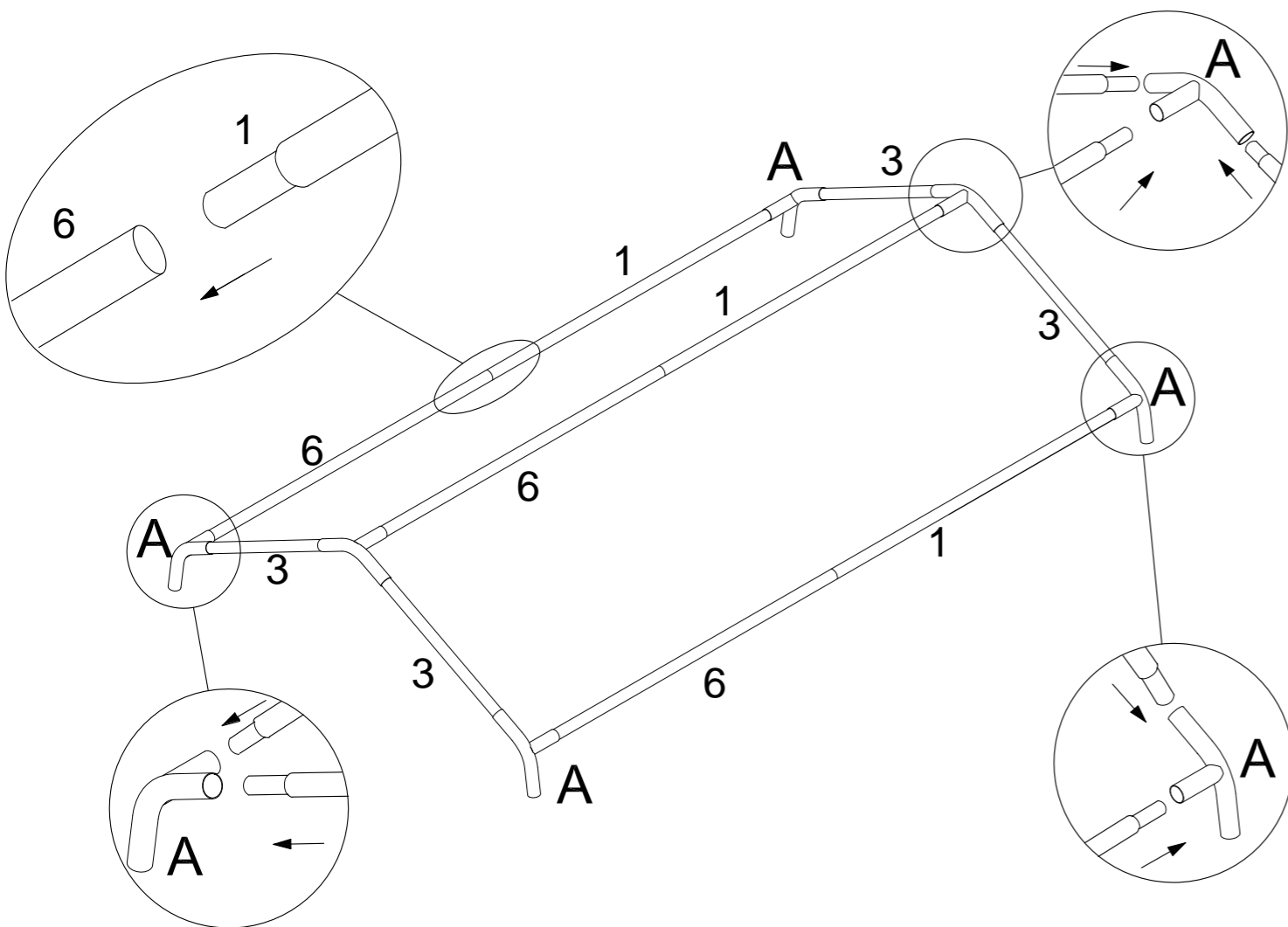
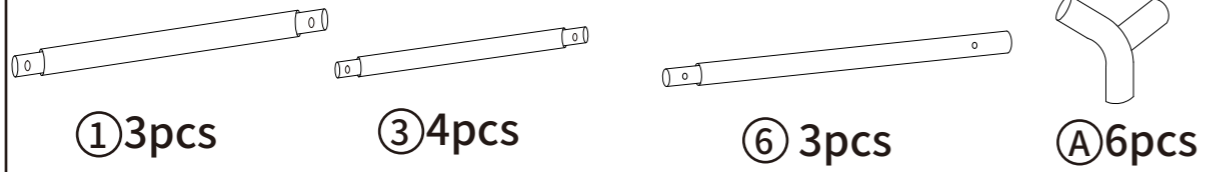
Item no.	Reference Image	Qty.
1		X7
2		X4
3		X4
4		X2
5		X2
6		X3
A		X6
B		X8
C		X4
		X4
	Tent peg	X12
		X8

Reference Image	Qty.
	X1
	X4

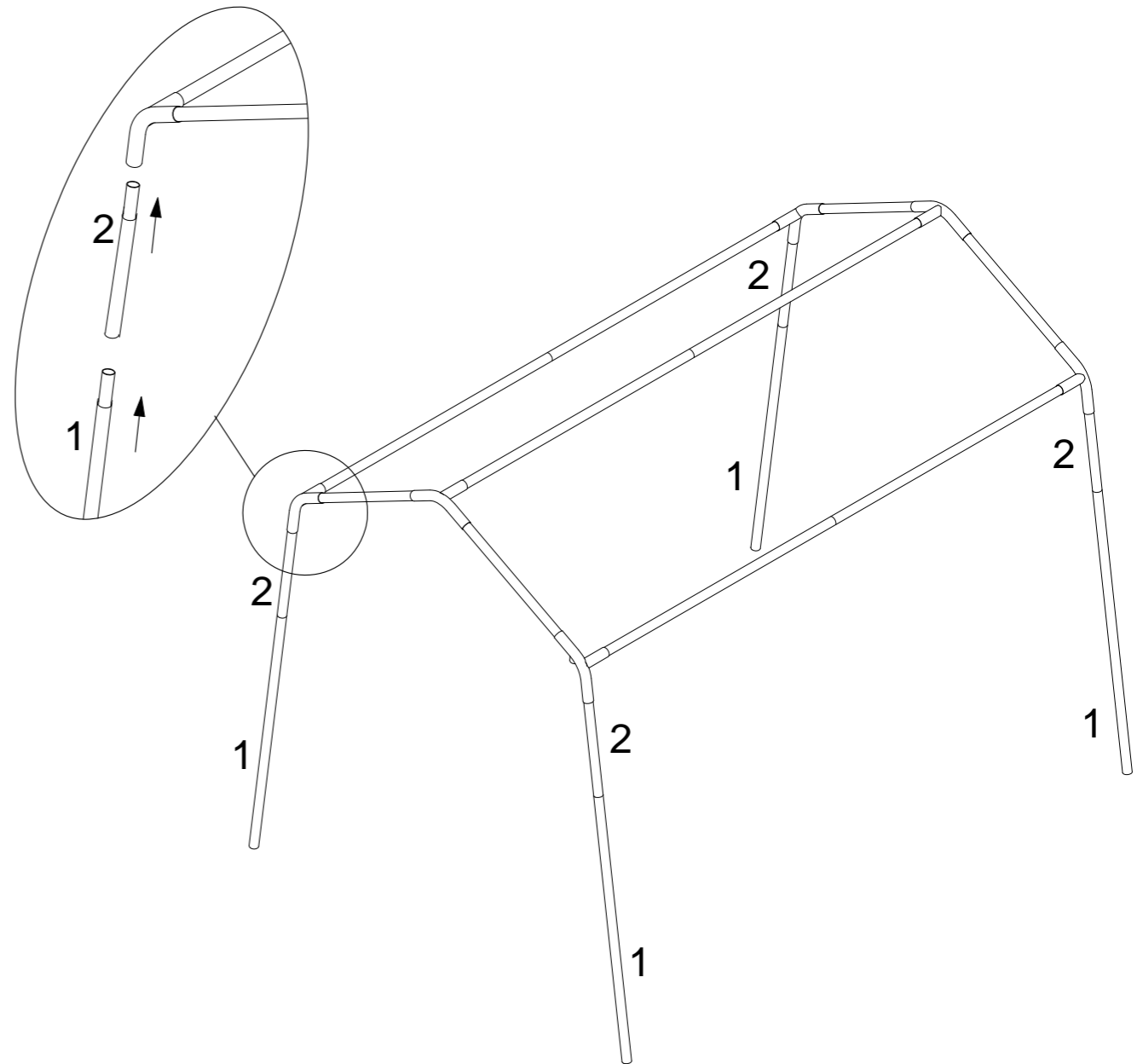
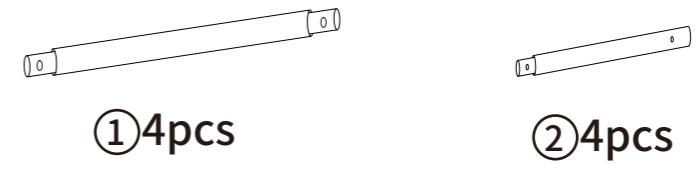
ASSEMBLY INSTRUCTIONS

ASSEMBLY INSTRUCTIONS

1



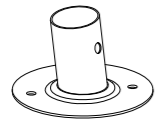
2



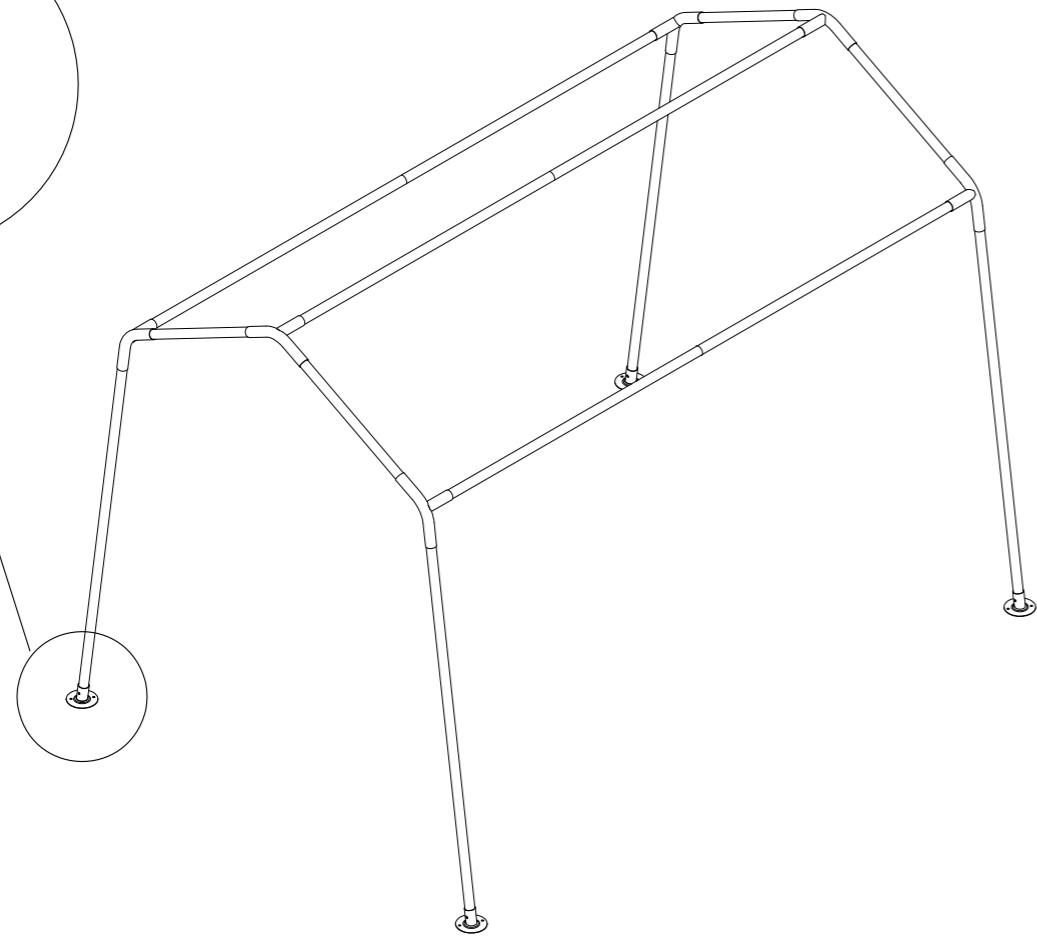
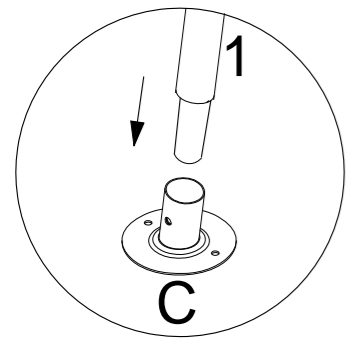
ASSEMBLY INSTRUCTIONS

ASSEMBLY INSTRUCTIONS

3

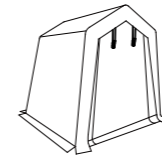


©4pcs

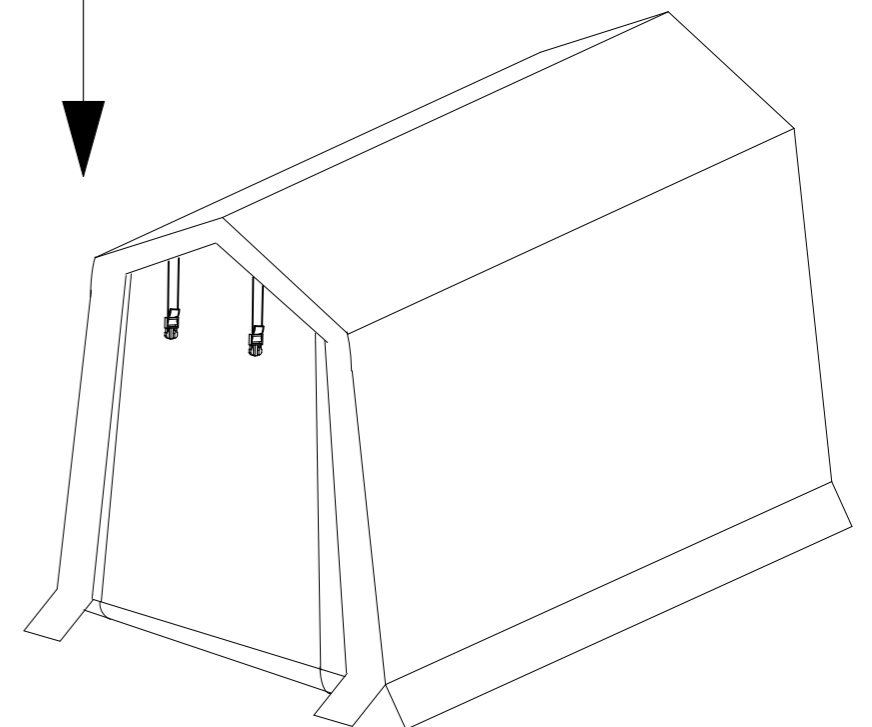
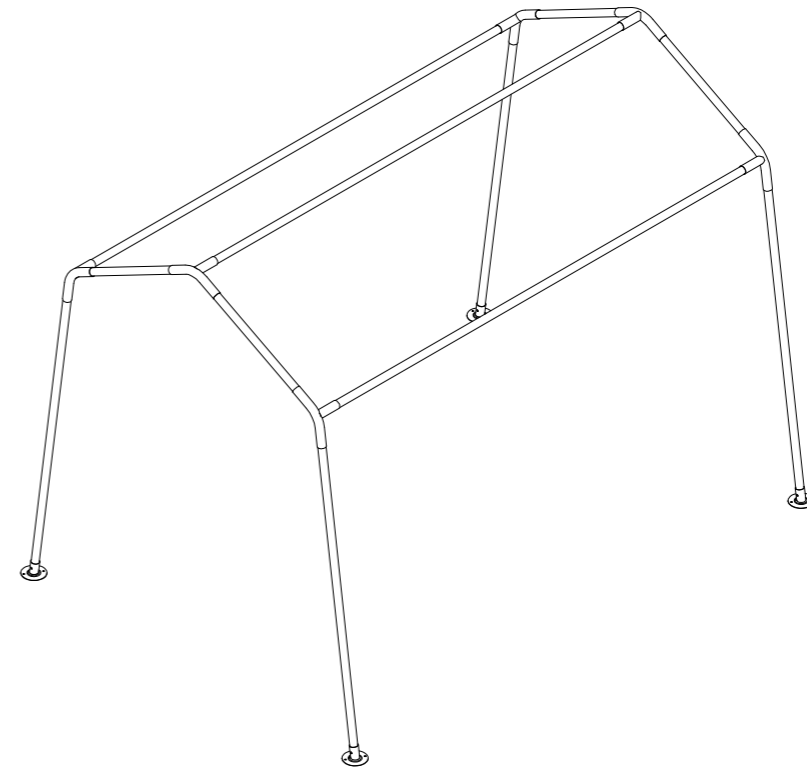


5

4



1pc

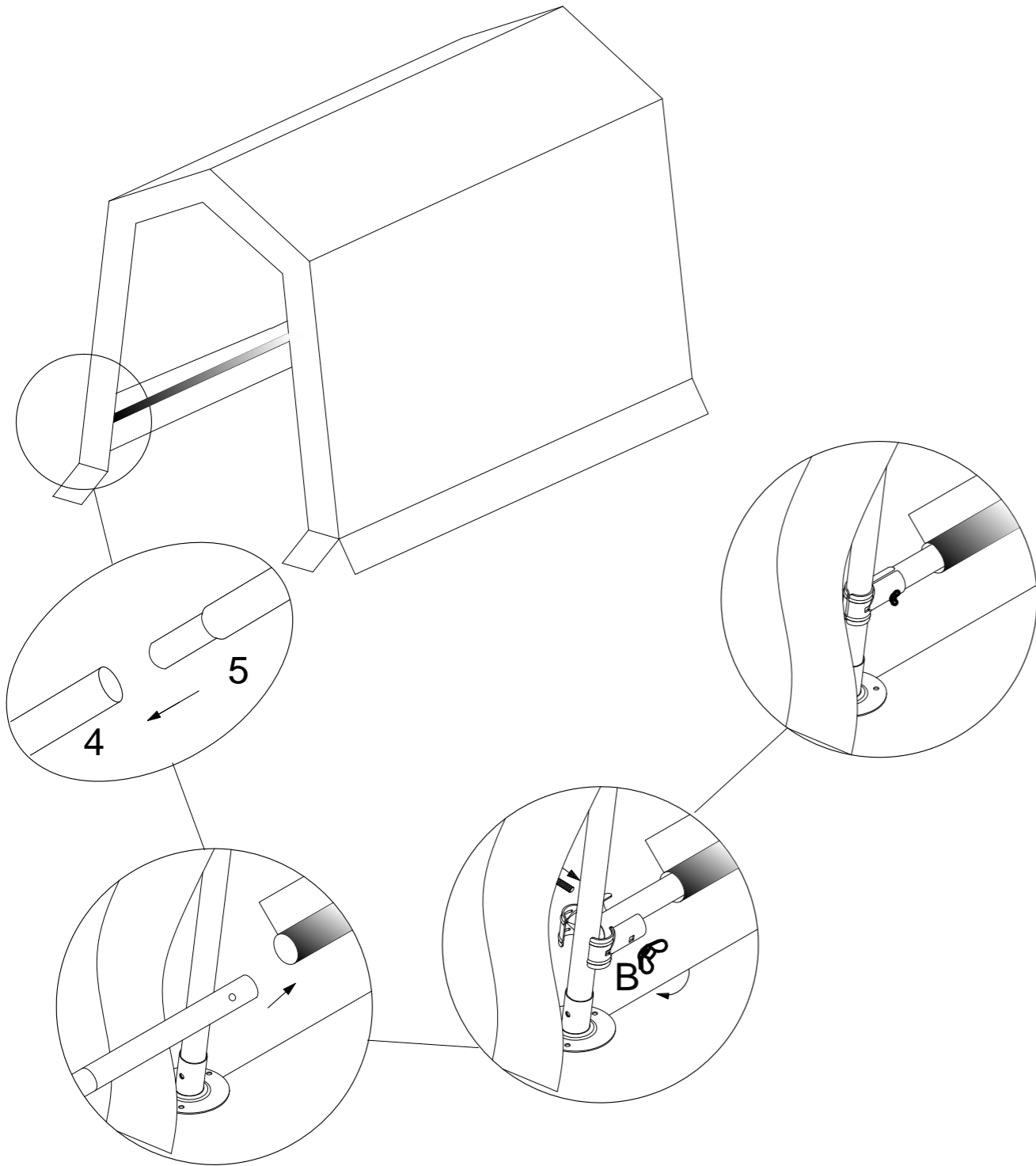
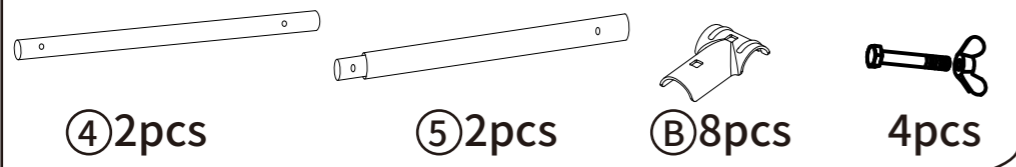


6

ASSEMBLY INSTRUCTIONS

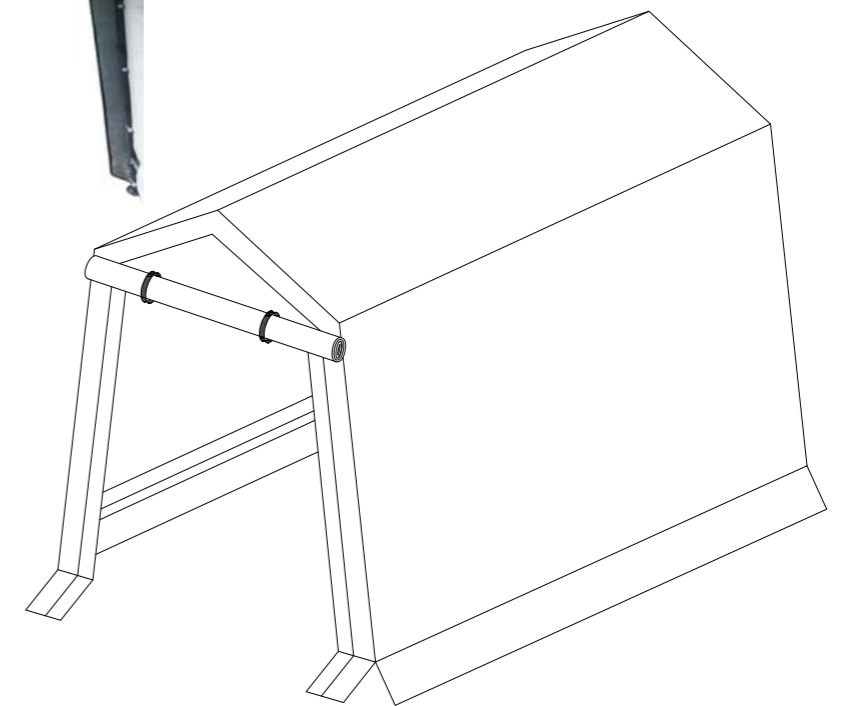
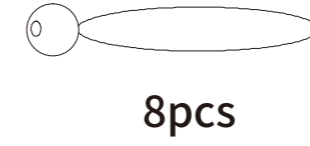
ASSEMBLY INSTRUCTIONS

5



7

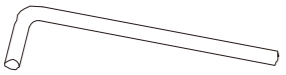
6

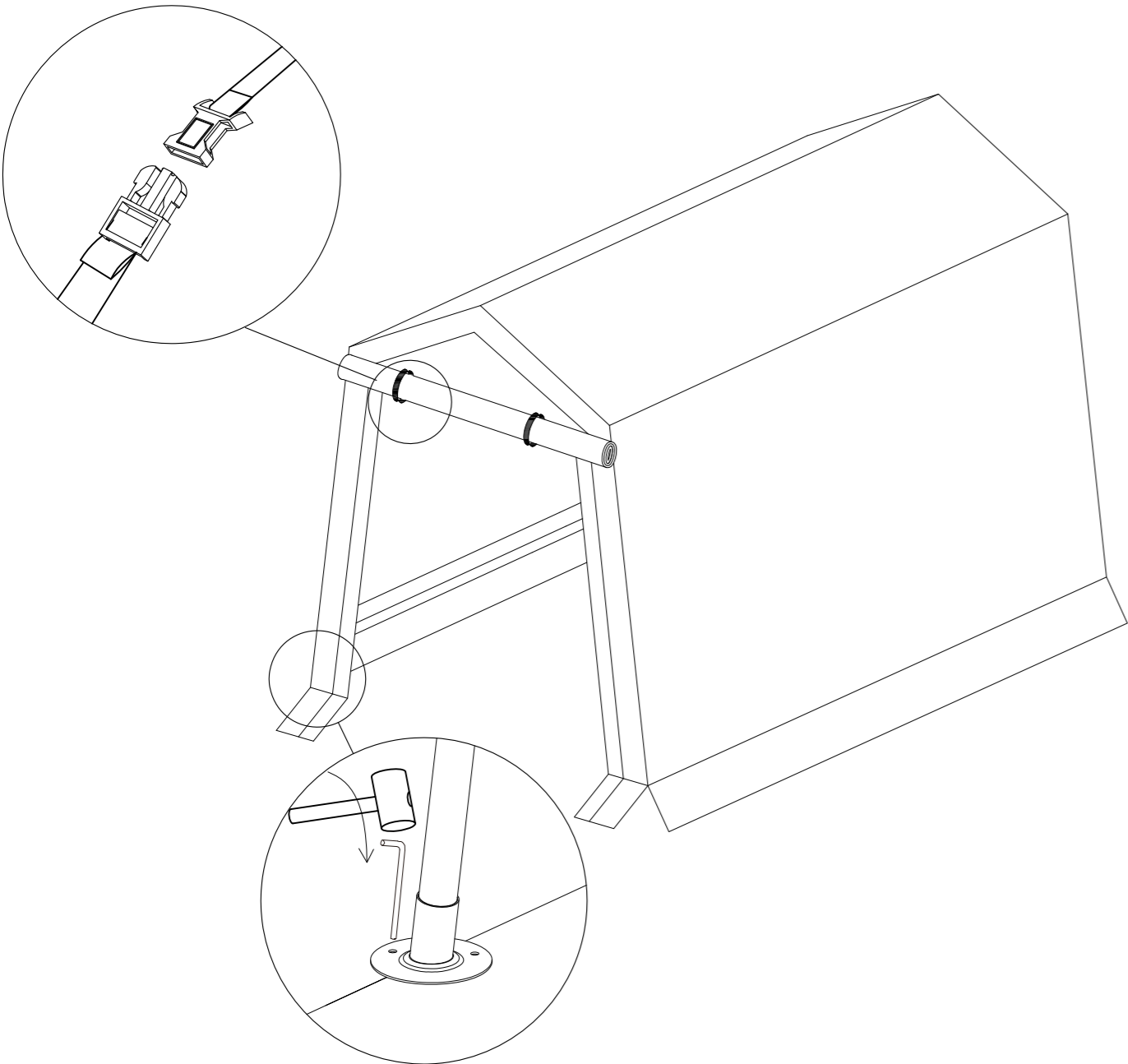


8


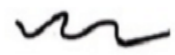
ASSEMBLY INSTRUCTIONS

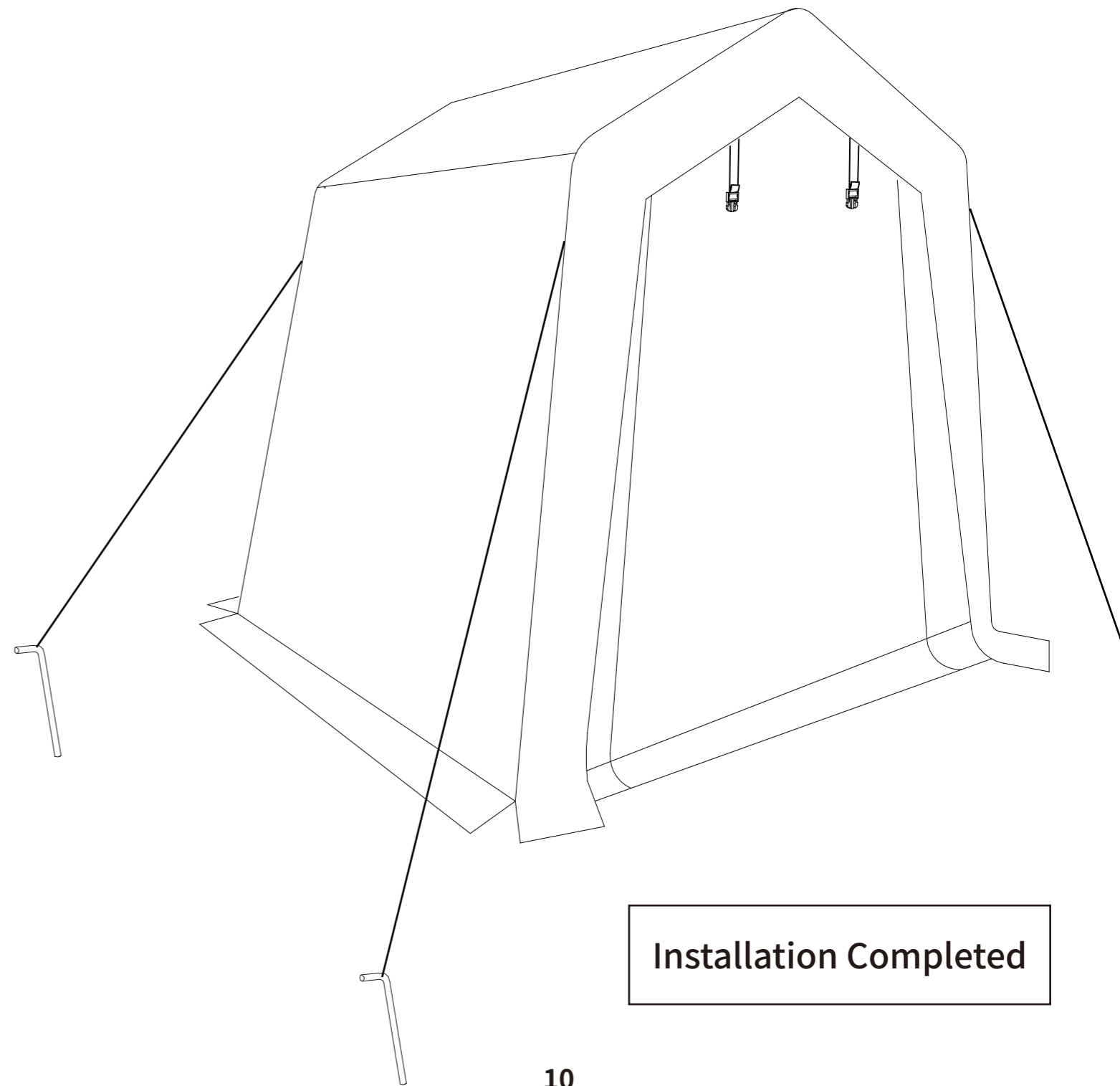
ASSEMBLY INSTRUCTIONS

7  8pcs



9

8  4pcs  4pcs



10