

Model #DV-1K028

Overall Dimension: 33 1/4" L x 17 15/16" W x 10" D

Features:

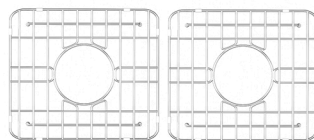
- Deep single bowl sink inhibits splashing, fits your tallest pots and piles of dishes, and holds your largest cookware.
- Conveniently use 2 bowls independently for washing, soaking, rinsing, drying, and other household tasks, heat-resistant and sound-deadening ceramic material minimize sound and vibration for quieter use.
- Products include a high-quality ceramic kitchen sink, 2 sink grids and 2 basket strainers.
- Sloped bottom design of the kitchen sink can help drain water quickly and prevent water pooling.
- Extreme resistance to chip, discoloration, scratching and cracking.
- Sink can accommodate a 3.5" garbage disposal.
- The water absorption rate of Ceramic sinks is 20%, which meets the qualified standard.



Package Included:



● Farmhouse Kitchen Sink(DV-1K028)



● Sink Grid(DV-K028G04)

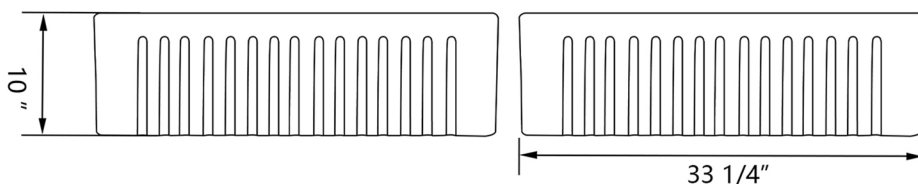
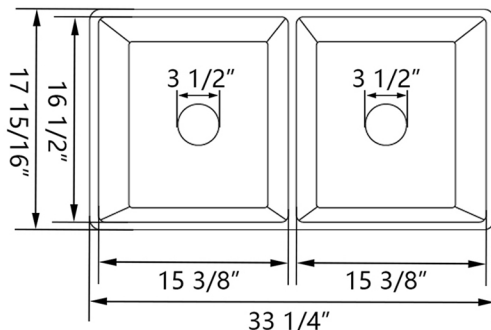
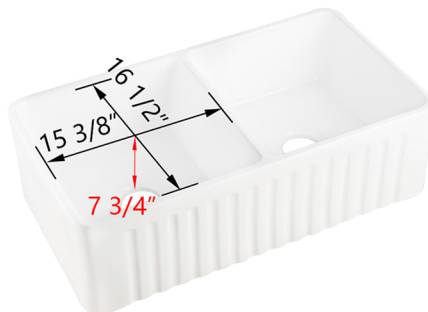


● Basket Strainer(DV-1D901) x2

Technical Specifications:

Technical Specifications

- + Outer: 33 1/4" L x 17 15/16" W x 10" D
- + Inner: 15 3/8" L x 16 1/2" W x 7 3/4" D
- + Weight: 94 lbs
- + Drain: 3 1/2" diameter
- + Cabinet Size: 34 1/4" minimum



#DV-1K028

Sinks are individually handcrafted, so sizes may vary slightly.

1 Year Warranty

All DeerValley kitchen sinks come with our Warranty within one year.



TEL: 312-626-9466 | support@deervalleybath.com