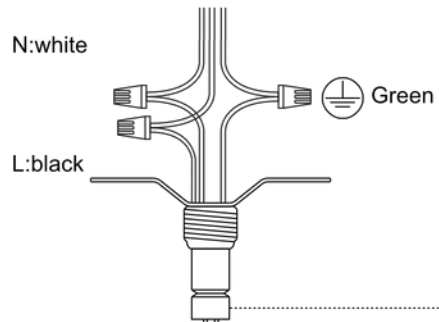


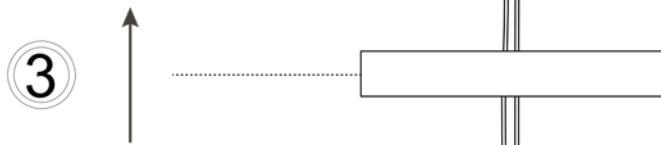
1



2



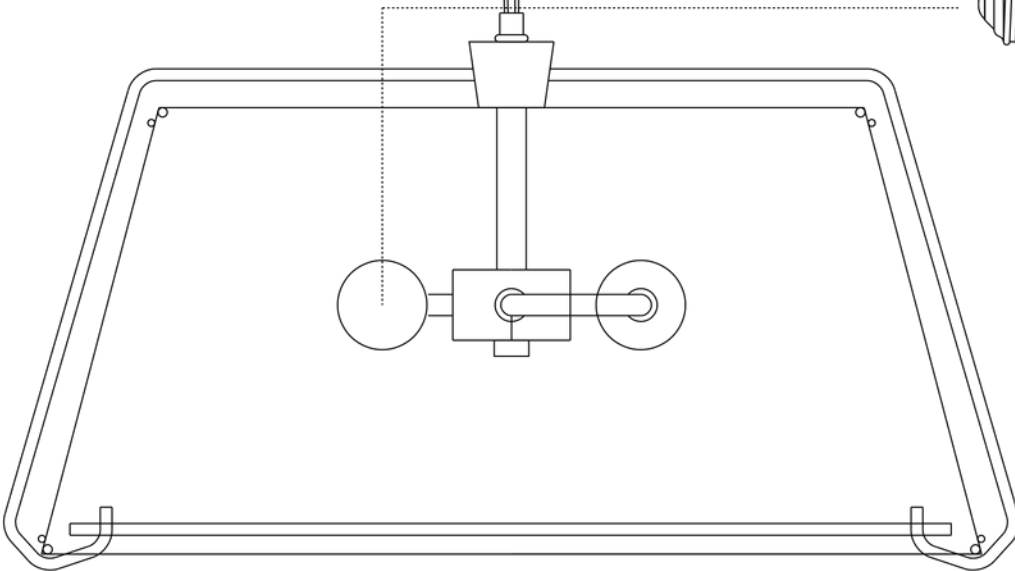
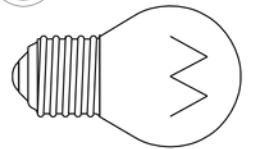
6



3



4



5

E26 LED only
2*E26 Max 25W
Not included

Flush Mount Instruction

Safety Warning

Please turn off power at breaker panel before installation.

Installation Steps

- **Step 1: Attach the Mounting Bracket**

Install the mounting bracket to the ceiling junction box. The bracket should be secured tightly with the provided screws.

- **Step 2: Wire Connections**

Make proper electrical connections. Connect black wire (hot) to black, white wire (neutral) to white, and green wire (ground) to ground/bare copper wire.

- **Step 3: Raise the Canopy**

Slide the canopy cover up the rod toward the ceiling.

- **Step 4: Secure the Threaded Rod**

Secure the threaded rod or nipple by rotating clockwise at the connection point.

- **Step 5: Position the Glass Shade**

Raise the glass shade/cover and align it with the mounting hardware.

- **Step 6: Lock the Fixture**

Rotate the upper connector to secure the fixture to the ceiling mount.

- **Final Step**

Install light bulb (as shown in diagram) by inserting into the socket and turning clockwise until secure.

Final Check

Once installation is complete, restore power at the breaker panel and test the light fixture.