

亿威印刷 2022. 06.14

210.00 mm

IMPORTANT INSTRUCTIONS AND OPERATING MANUAL

ELECTRIC FIREPLACE HEATER



ITEM NO : 5215

MODE NO : YH-15 (1)



ITEM NO : 5220

MODE NO : YH-20-1C (1)

NO VENTING REQUIRED



Read and understand this manual thoroughly before plugging in or using the appliance. Failure to comply with these precautions could result in fire, electric shock, or serious personal injuries.

Address: ROWAN ELECTRIC APPLIANCE LLC 28407 Ascent Way, Santa Clarita, CA 91350
Phone: 213-4467172 or 661-4358826

290.00 mm

Specification

Model	Voltage	Frequency	Power
YH-15(1)	120V	60Hz	1500W
YH-20-1C(1)	120V	60Hz	1500W

Parts List

- 1 Electric heater
- 1 User manual
- 4 Legs

Important Instructions

PLEASE READ ALL INSTRUCTIONS BEFORE USING THIS HEATER.

WHEN USING ELECTRICAL APPLIANCES, BASIC PRECAUTIONS SHOULD ALWAYS BE FOLLOWED TO REDUCE THE RISK OF FIRE, ELECTRIC SHOCK AND PERSONAL INJURY, INCLUDING THE FOLLOWING:

When switching on the appliance for the first time, allow it to run at full power for about two hours to get rid of the unpleasant smell. Make sure that the room in which the appliance is located is well ventilated during this operation. It is normal for the appliance to emit small cracking sounds when you turn it on for the first time.

Security Advice

1. Read all instructions before using this heater.
2. This heater is hot when in use. To avoid burns, do not let bare skin touch hot surfaces. Use a handle when moving the unit. Keep flammable materials such as furniture, pillows, bedding, papers, clothes, and curtains at least 3 feet (0.9 m) from the front and top of the heater and keep them away from the sides and the rear of the heater. Keep the rear grille away from walls or drapes so as not to block the air intake.
3. Extreme caution and supervision are necessary when any heater is used near children or the invalids and whenever the heater is left operating and unattended.
4. Always unplug the heater when not in use.
5. Do not use any heater when it has a damaged cord or plug, it malfunctions, or it has been dropped or damaged in any manner. Discard the heater or return it to an authorized service facility for examination and/or repair.
6. Do not use it outdoors.
7. This heater is not intended for use in bathrooms, laundry areas or other similar indoor locations. Never locate the heater where it may fall into a bathtub or other water containers.
8. Do not run the cord under carpeting. Do not cover the cord with throw rugs, runners, or similar coverings. Do not lay out the cord under furniture or appliances. Arrange the cord away from traffic areas and place it where it will not be tripped over.
9. To disconnect the heater, turn off the control, and then remove the plug from the outlet.
10. This appliance has a polarized plug (one blade is wider than the other). This plug is intended to fit a polarized outlet only one way. If the plug does not fit fully in the outlet, reverse the plug. If it still does not fit, consult a qualified electrician. Do not connect the heater to extension cords, surge protectors, timers, direct breakers, or an outlet with other appliances connected to the same outlet. **Risk of fire, overheat, malfunction, property damage, injury, or even death may result if not adhered to!**

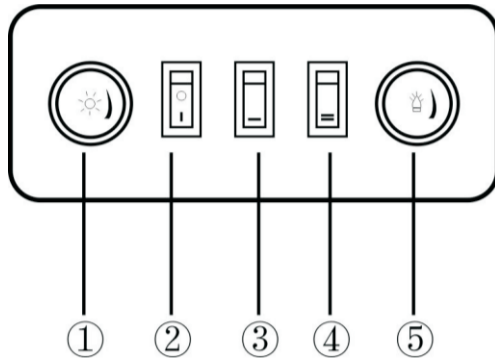
11. Only connect to properly polarized outlets.
12. Do not insert or allow foreign objects to enter ventilation or exhaust openings, as this may cause an electric shock or fire, or damage the heater.
13. To prevent a possible fire, do not block air intakes or exhaust in any manner. Do not use on soft surfaces, like a bed, where openings may become blocked.
14. A heater has hot and arcing or sparking parts inside. Do not use it in areas where gasoline, paint, or flammable liquids are used or stored.
15. Use this heater only as described in this manual. Any other use not recommended by the manufacturer may cause fire, electric shock, injury to persons or other damage to property.
16. This heater must be plugged into a 120V, 15 amp (or more) circuit of its own. Nothing else can be plugged into the same circuit. If you are unsure whether the circuit in your home meets this specification, consult a certified electrician prior to use. **Risk of fire, overheat, malfunction, property damage, injury, or even death may result if not adhered to!**
17. To prevent overload and blown fuses, be sure that no other appliance is plugged into the same outlet or into another outlet wired into the same circuit.
18. It is normal for the heater's plug and cord to feel warm to the touch. A plug or cord that becomes hot to the touch or becomes distorted in shape may be a result of a worn electrical outlet. Worn outlets or receptacles should be replaced prior to the further use of the heater. Plugging the heater into a worn outlet/receptacle may result in overheating of the power cord or fire.
19. Ensure the heater is on a stable, secure surface to eliminate the potential of tipping over.
20. Always plug the heater directly into a wall outlet/receptacle. Never use with an extension cord or relocatable the power tap (outlet /power strip).
21. Be sure that the plug is fully inserted into an appropriate receptacle. Please remember that receptacles also deteriorate due to aging and continuous use: check periodically for signs of overheating or deformations evidenced by the plug. Do not use the receptacle and CALL your electrician.
22. Check that neither the appliance nor the power cable has been damaged in any way during transportation.
23. Make sure that no pieces of polystyrene or other packaging material have been left between elements of the appliance. It may be necessary to pass over the appliance with a vacuum cleaner.
24. This appliance is not intended for use by persons (including children) with reduced physical, sensory or mental capabilities, or lack of experience and knowledge, unless they have been given supervision or instruction concerning use of the appliance by a person responsible for their safety. Children should be supervised to ensure that they do not play with the appliance.





CAUTION: To prevent electric shock, match and fully insert the wide blade of the plug to the wide slot.

SAVE THESE INSTRUCTIONS

User Guide

Location of Controls



1. Thermostat control knob (**TEMPERATURE SETTING**) – Adjust to maintain the room temperature
2. Flame switch – Switch the flame effect and turn the power on/off
3. Heating setting – Please press “” for 1000W
4. Heating setting – Please press “” and “” at the same time for 1500W (it can not operate without pressing “” first)
5. Flame dimmer control – Adjust to set the flame intensity

BEFORE CALLING FOR SERVICE

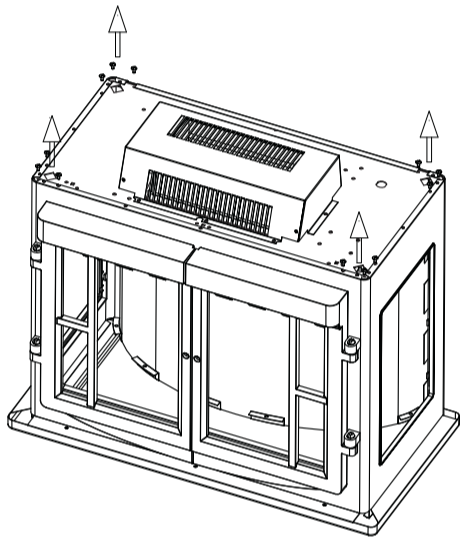
Before contacting professional service please review the trouble shooting list that includes common occurrences that are not the result of a defect in workmanship or materials

Problem	Possible Cause	Solution
The door handle is loose	The screw fixing the door handle is loose	Tighten the fixing screws of the door handle on the inside of the door
Burnt smell when opening	There are dust and other attachments on the heating wire	Place the heater in an open place, and then run the heater at maximum power for 10-30 minutes
Has a flame effect, but does not heat	1.Heating switch is off 2.Adjustable temperature control is not turned on	1.Turn on the heating switch 2.Turn on the adjustable temperature control (turn it to the right)
The heater will not work after heating for a period of time	1.There are many shelters around the heater 2.Start using without feet installed 3.Adjustable temperature control is not turned to the maximum	1.The heater should be placed in a relatively open place, and there should be no shelter within 1 meter in front 2.The heater should be installed with 4 legs before use 3.Turn the adjustable temperature control to the right to the maximum

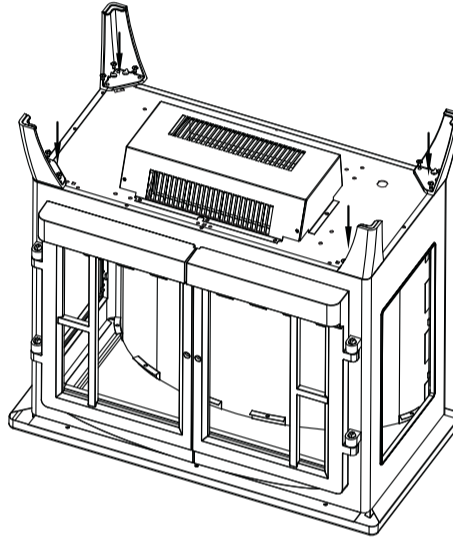
Attaching The Legs

1. Turn the product upside down to start attaching legs.
 2. Screw out the screws on each corner (3 screws on each corner)
 3. Place a leg on each corner and use 3 screws for each leg.
 4. Tighten the screws clockwise until each leg is tightened.
 5. Turn the unit back up to standing position and make sure it is stable.
 6. Place the unit on the required location and plug in. It is now ready for use.
- NOTE: The drawing below is for illustration purposes only. Your product may be slightly different in appearance but the operations are the same.

Screw out the screws



Install the legs and tighten the screws



Overheating Safe Device

If the heater stops working, turn off the heater and inspect the blockage of the inlet or outlet. **Disconnect the plug and wait at least 10 minutes** for the protection system to reset before attempting to restart the heater. If the safe device still switches off the heater and makes the heater fail to operate, contact us via Amazon Message, or call customer service number: 213-4467172 and/or 661-4358826.

Attention: Before restarting the heater, **the plug must be disconnected for at least 10 minutes**

Cleaning

1. Always disconnect the appliance from the main supply before cleaning.
2. Clean the outside of the heater by wiping with a damp or dry cloth.
3. Do not use petroleum, any other detergent or chemical solvent to clean the heater.
4. When the heater is not used for a long time, it should be protected from the dust and stored in a clean and dry place.

Disposal



Environmental Protection

Waste electrical products should not be disposed of with household waste. Please recycle where facilities exist. Check with your Local Authority or retailer for recycling advice.

Thank you for purchasing this product! If you have any questions about the product, such as the missing parts, product damage, product assembly, and operation, please contact us via **Amazon Message** or customer service number: **213-4467172 or 661-4358826**

IMPORTANT

Please call our customer service department for any consulting:

213-4467172

661-4358826

(8:30am - 5:30pm PST)

DATED PROOF OF PURCHASE IS REQUIRED FOR WARRANTY SERVICE.

AVIS

Veillez appeler le service à la clientèle pour toutes questions au:

213-4467172

661-4358826

(8:30am - 5:30pm PST)

PREUVE D'ACHAT ORIGINALE REQUISE POUR SERVICE DE GARANTIE.

IMPORTANTE

Sólo hay que llamar nuestro departamento de servicio al cliente en caso de tener preguntas o inquietudes:

213-4467172

661-4358826

(8:30am - 5:30pm PST)

SE REQUIERE PRUEBA DE COMPRA CON FECHA PARA SERVICIO BAJO GARANTÍA.

Address: ROWAN ELECTRIC APPLIANCE LLC 28407 Ascent Way, Santa Clarita, CA 91350

Phone: 213-4467172 or 661-4358826

