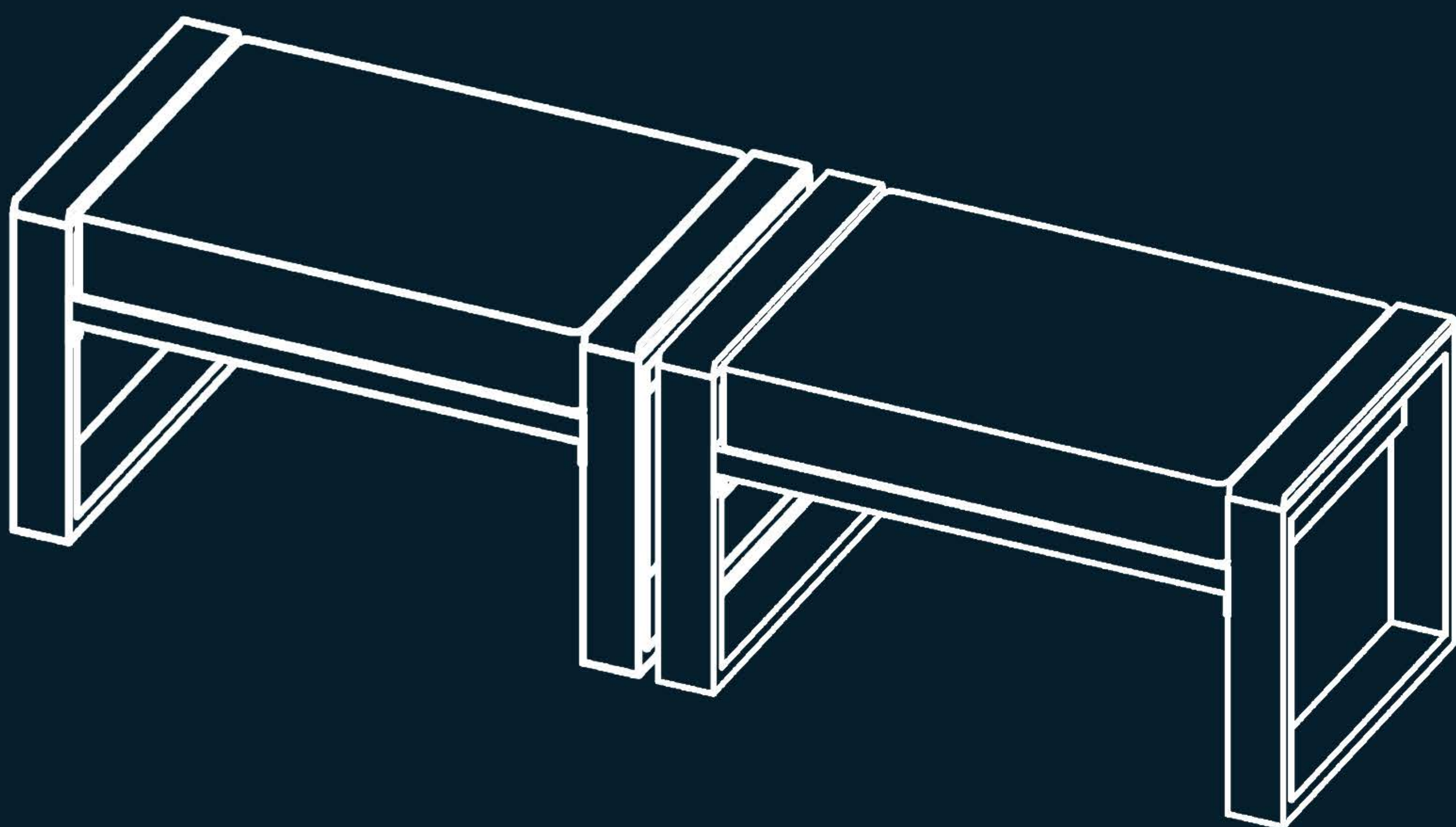


INSTRUCTION MANUAL



Ottoman



READ & SAVE BELOW INSTRUCTIONS BEFORE ASSEMBLY

- Please separate and identify all parts, making sure that you have all of the parts listed.
- To avoid any scratch during assembly, please assemble on a soft mat or similar.
- Please assemble step by step and follow the instructions.
- Washers must be used.
- Do not completely fasten each screw and nut until all the screws are properly fixed.

WARRANTY

- Thank you for purchasing our outdoor furniture, We are pleased to offer a one-year warranty on the quality of the product. This warranty covers any manufacturing defects or malfunctions that may occur within the first year of ownership.
- Exclusions: The warranty does not cover damages resulting from misuse, negligence, accidents, normal wear and tear, unauthorized repairs or modifications, improper assembly, or failure to adhere to the care and maintenance guidelines provided.

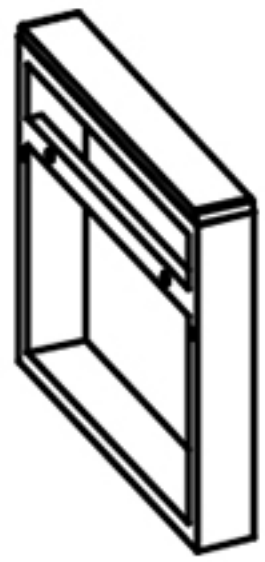
MAINTENANCE AND CARE

- Protect it from extreme weather by moving it to a covered area or using furniture covers.
- Avoid dragging heavy objects on the furniture to prevent damage.
- Regularly inspect for wear or damage and address any issues promptly.
- Check and tighten hardware connections periodically.
- Keep packaging until assembly is complete to avoid losing small parts.
- Use a damp cloth with warm soapy water or a suitable cleaning product to clean the furniture.
- Ensure proper drying after cleaning to prevent mold growth.

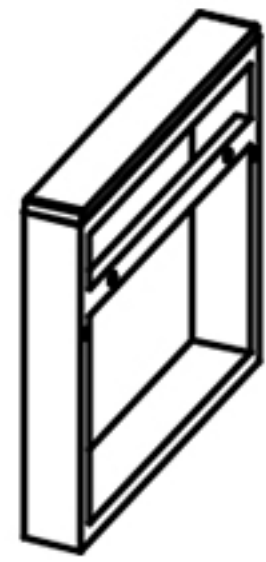
PARTS

- Carefully unpack all components and verify that all necessary parts are included in the package before assembling. Assemble the furniture in the order specified to ensure proper alignment and installation.
- If any difficulty occurs during assembly, please contact our customer support.

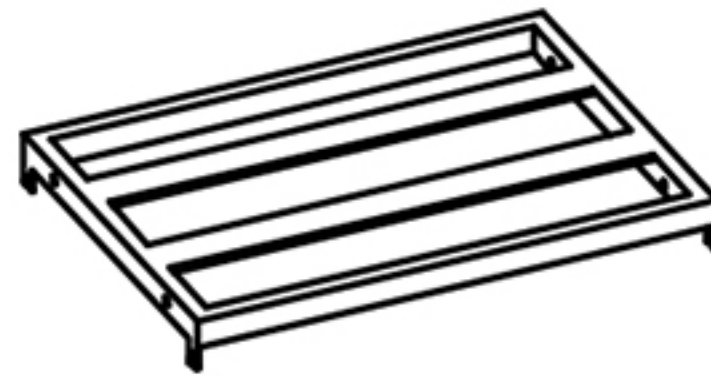
PARTS



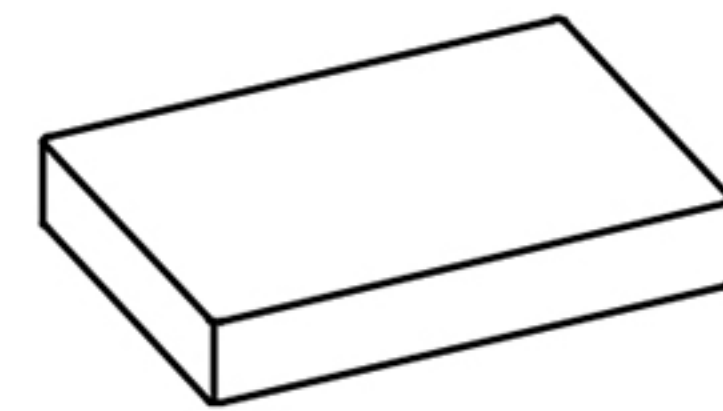
Left Leg
Lx2



Right Leg
Ox2



Base
Mx2

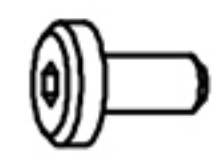


Seat Cushion
Nx2

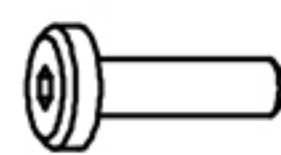
HARDWARE



Height Adjustment
Screw
Qx8



Bolt M6*15MM
Rx8



Bolt M6*32MM
Sx8

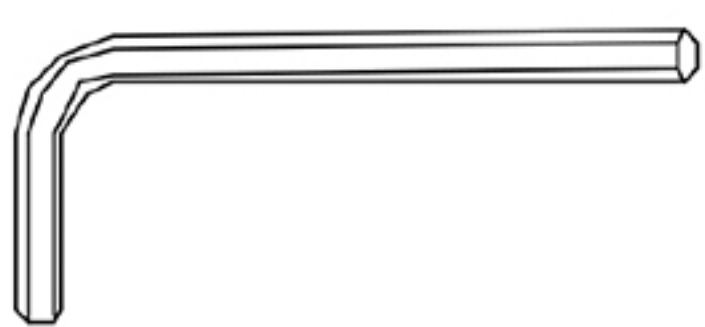


Washer
Ux16



Cap
Vx16

TOOL



Allen Wrench



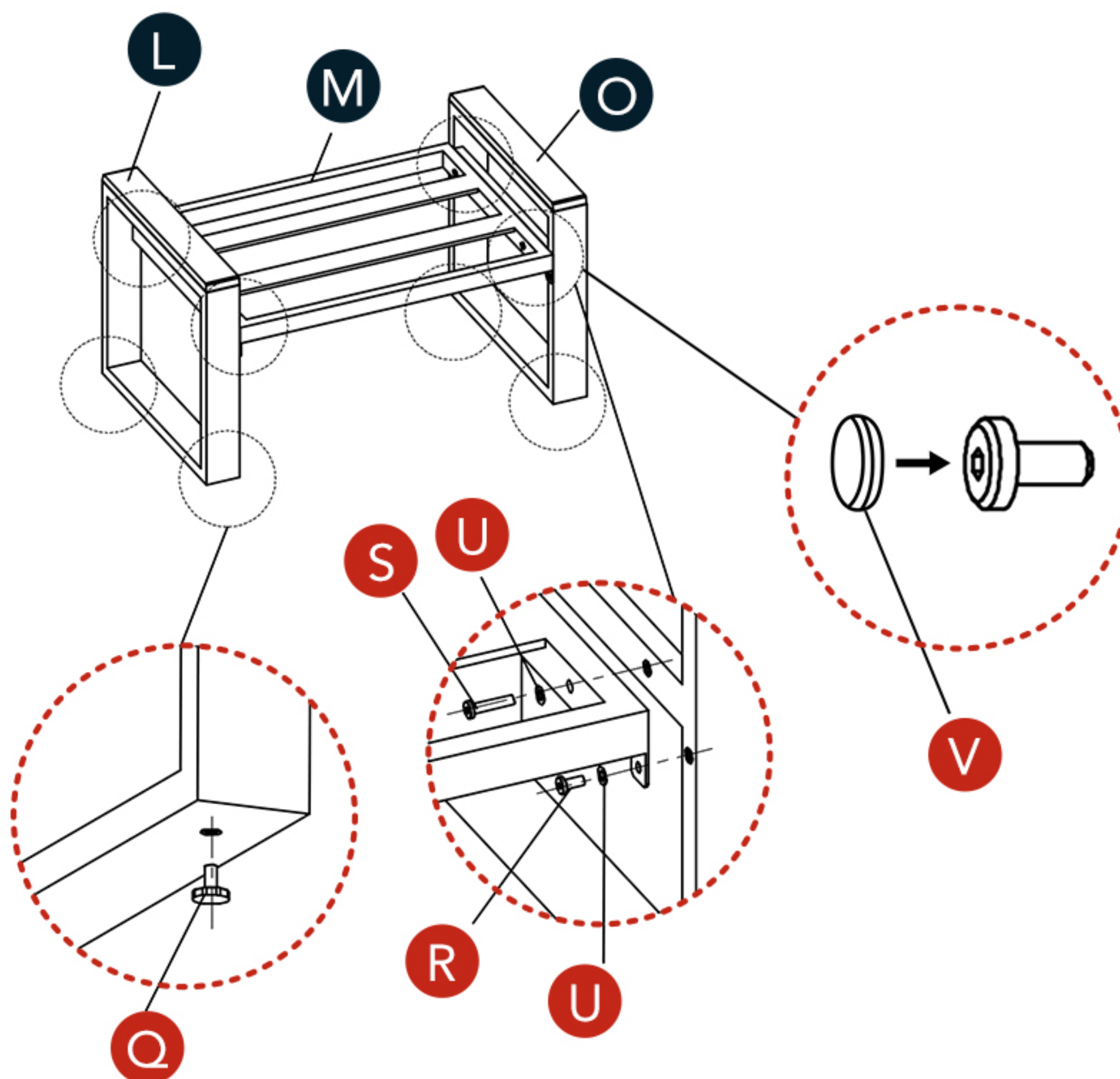
1 PERSON
ASSEMBLY



UP TO 15 MIN.
ASSEMBLY

ASSEMBLY

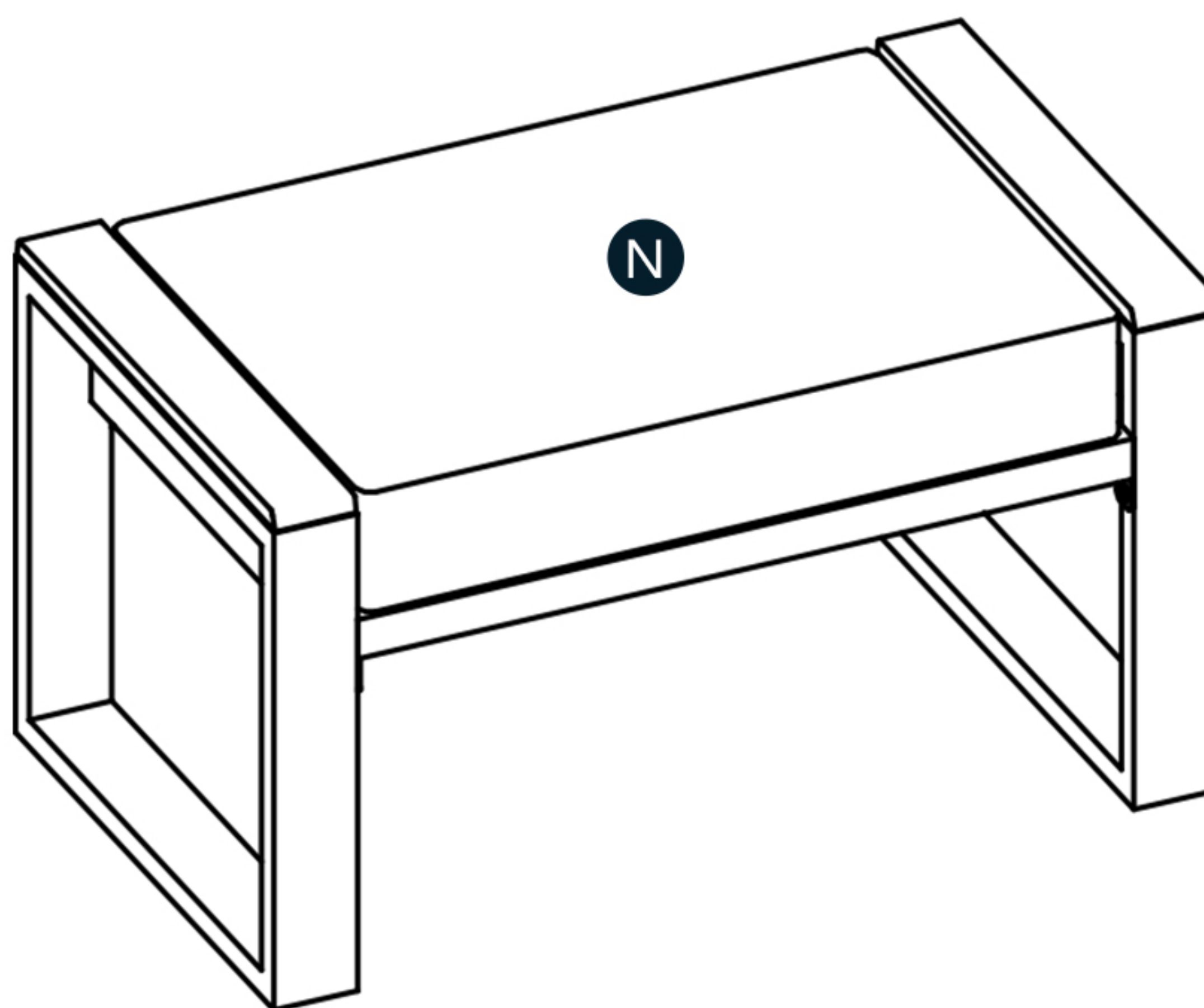
Note: Do not fully tighten screws, tighten the screws only after all components are installed.



1

- Attach the Seat Plate to the Left/Right Seat Leg using Bolt M6*32MM[S] & Bolt M6*15MM[R] & Washer[U].
- Install the Height Adjustment Screw[Q].
- Attach the Cap[V].

U x8	V x8	Q x4	R x4
S x4	M x1	L x1	O x1



2

Put the Seat Cushion[N]

N x1
