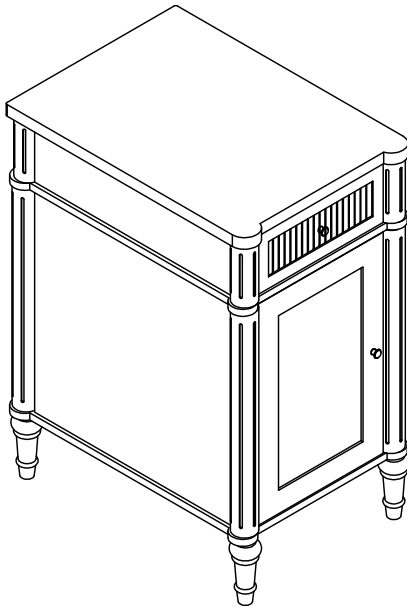


# HULALA

HOME



**ITEM NO. ETKL1731**



Weight Limitation

**150 LBS**



Installation:  
40 minutes.



Two Person

Thank You For Choosing Our Furniture

- ▣ If you have any questions or concerns, don't hesitate to reach out to us. ▣

Contact us: +1(833)324-2464  
Email: [Customerservice@hulalahome.com](mailto:Customerservice@hulalahome.com)

**NOTE:**

This brochure contains IMPORTANT safety info. Please read and keep it for future reference.

# MAINTENANCE AND WARNINGS



## Before You Start

### ***Please follow the steps below:***

- ⚠ Check the packaging for any damage, deformation, or water stains. If there is significant damage, please contact us promptly.
- ⚠ Unpack the box and compare the contents with the parts list and hardware list to ensure all components and accessories are present and complete.
- ⚠ Please read the installation instructions carefully to understand the installation steps and precautions to ensure proper installation.
- ⚠ Clean the installation area in advance and ensure the ground is level and there is enough space to avoid damaging the furniture or making installation difficult.
- ⚠ Lay a protective mat on the ground to prevent scratching the floor during installation.

### ***After-Sales Service***

- If you encounter any issues or need technical support during use, please contact our after-sales team. We offer long-term maintenance and warranty services.



## Precautions

- ⚠ This product is for indoor use only. Do not expose it to outdoor elements or high-humidity environments.
- ⚠ Keep the product away from high heat or open flames to prevent fire hazards.
- ⚠ Do not allow children to climb on the product, as this may cause tipping and result in personal injury.



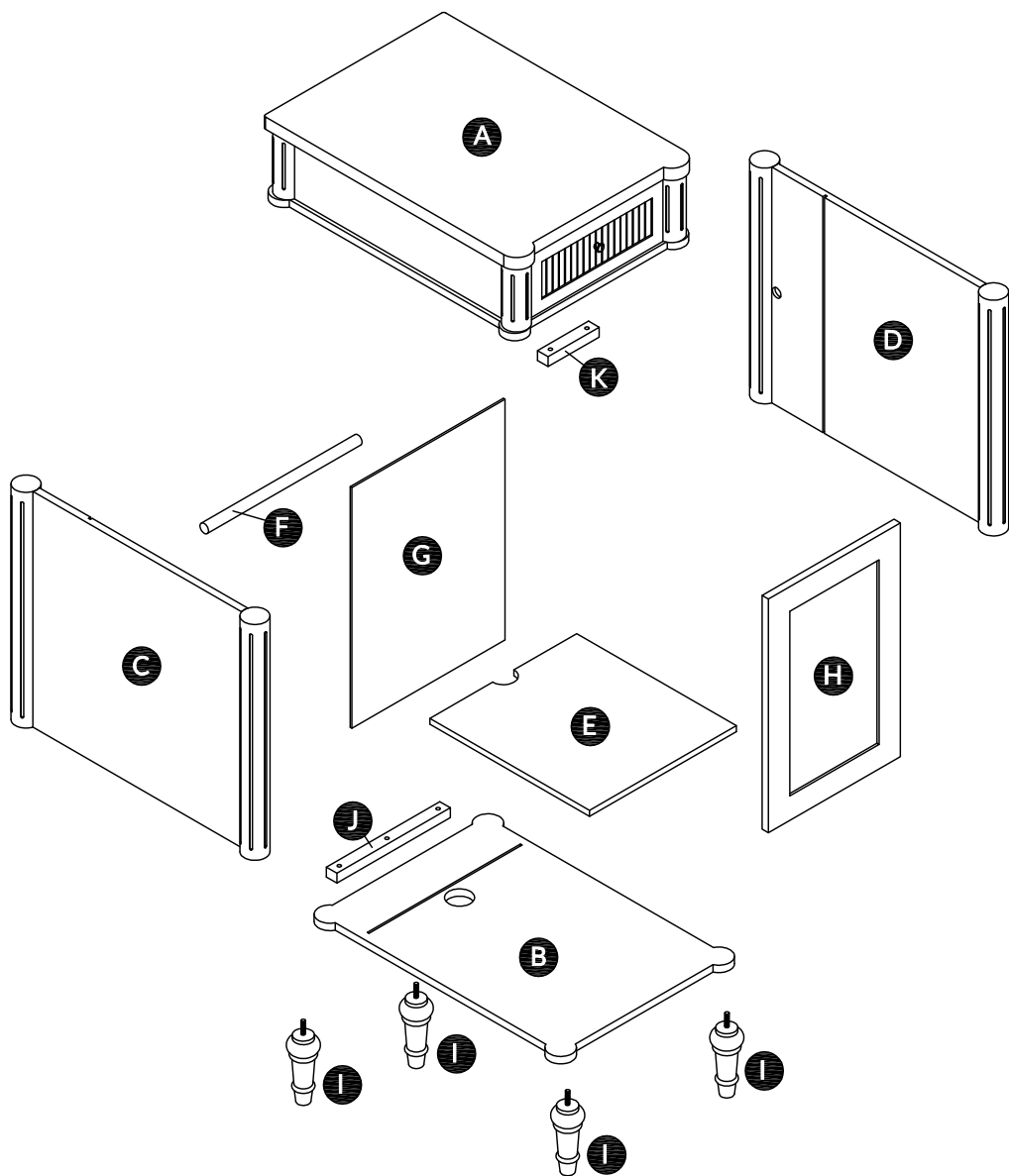
## Safety Warnings

- ⚠ If you notice any loose or damaged parts, stop using the product immediately and contact customer service.
- ⚠ Do not attempt to disassemble or replace any components yourself, as this may affect the stability and safety of the product.

### ***Daily Maintenance***

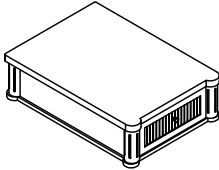
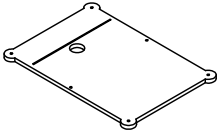
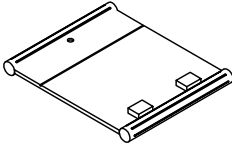
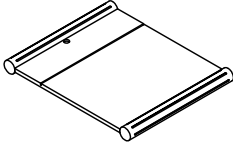
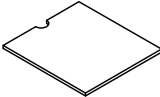
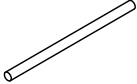
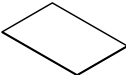
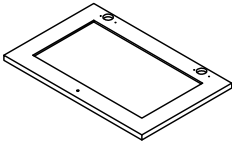

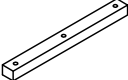
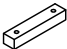

- Regularly clean the surface with a soft cloth to prevent dust accumulation.
- Do not use cleaning agents containing acids, alkalis, or corrosive substances, as they may damage the surface. It is recommended to use neutral cleaning agents or specialized furniture cleaners.
- Avoid exposing furniture to humid environments for extended periods. Use a dehumidifier or desiccant during humid weather.
- Avoid direct contact of furniture with water. If water is accidentally spilled, wipe it dry immediately.
- Avoid placing excessively heavy objects on the furniture: ensure the weight is within a reasonable load-bearing range.
- Avoid using sharp or rough items on the furniture surface to prevent scratches. Handle items gently when moving them.

**Explosive view**

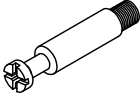

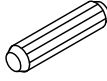
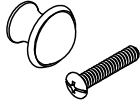

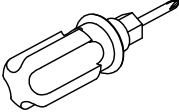




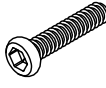
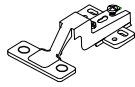




# Parts list

## Box A

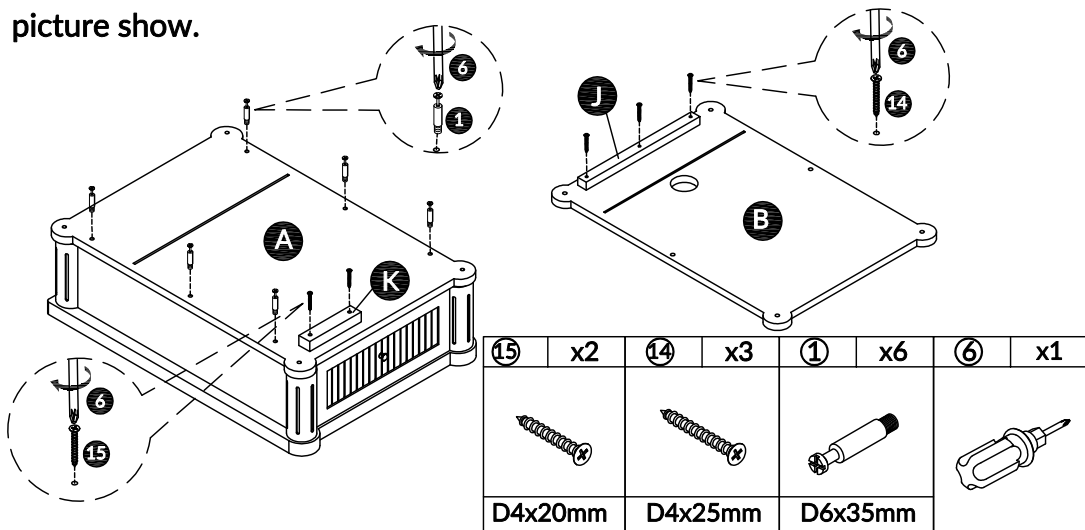
<b>A x1 Top panel</b> 		<b>B x1 Bottom board</b> 	
<b>C x1 Side panel</b> 	<b>D x1 Side panel</b> 	<b>E x1 Clapboard</b> 	<b>F x1</b> 
<b>G x1 Back panel</b> 	<b>H x1 Door</b> 	<b>I x4 Leg</b> 	<b>J x1</b> 
<b>K x1</b> 	<b>Hardware Pack</b> 		

# Hardware List

<p>① x6+1</p>  <p>D6*35mm</p>	<p>② x6+1</p>  <p>D15*11mm</p>	<p>③ x4+1</p>  <p>D8*30mm</p>	<p>④ x1</p>  <p>D4*25mm</p>
<p>⑤ x1</p>  <p>M4</p>	<p>⑥ x1 Screw driver</p> 	<p>⑦ x4</p> 	<p>⑧ x1</p> 
<p>⑨ x4+1</p> 	<p>⑩ x12+2</p>  <p>D4*16mm</p>	<p>⑪ x2</p>  <p>D6*30mm</p>	<p>⑬ x2 Insert</p> 
<p>⑭ x3</p>  <p>D4*25mm</p>	<p>⑮ x2</p>  <p>D4*20mm</p>		

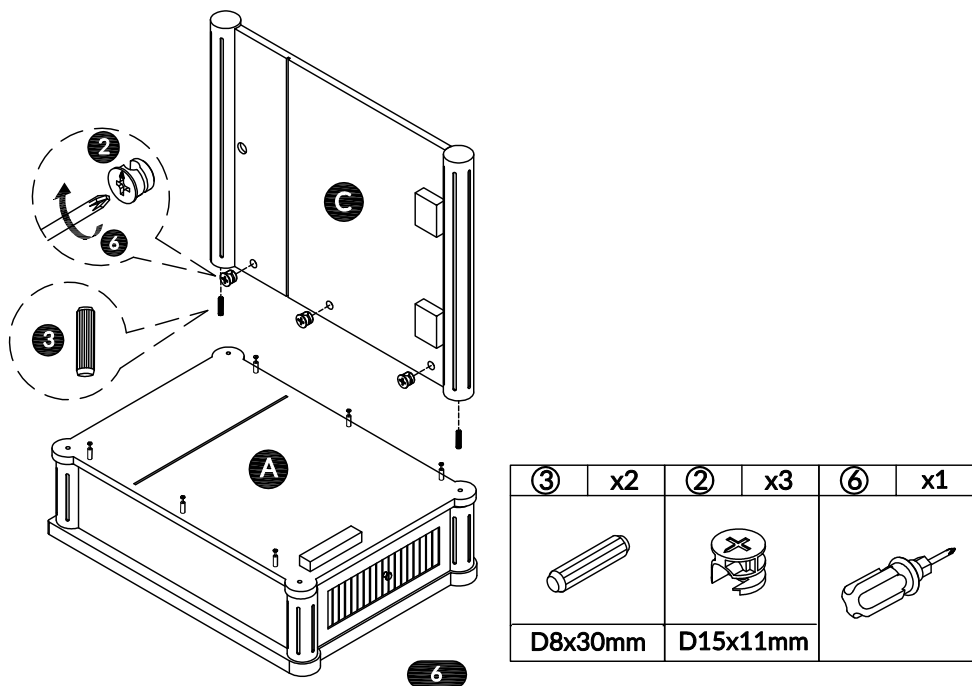
## Step 1

Insert 1 into the side panel A , make sure all holes aligned as picture show.



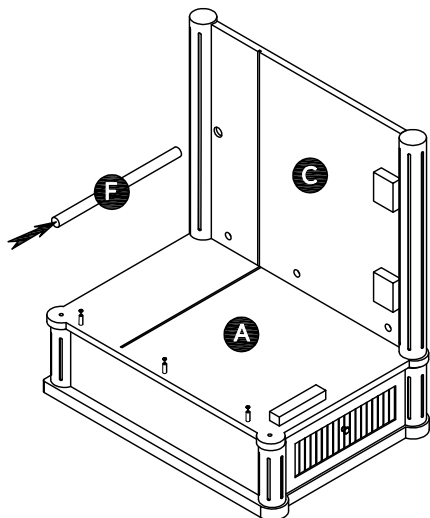
## Step 2

Insert side panel C into the corresponding hole of panel (A) , make sure all holes aligned and use 2 and 3 to tighten it as picture show.



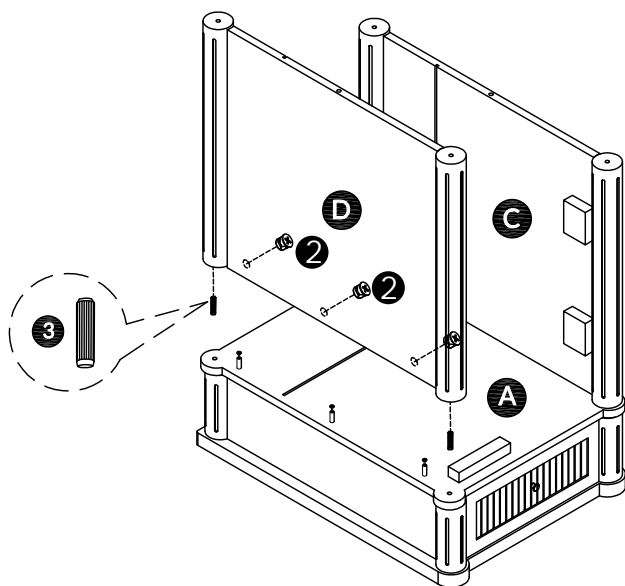
### Step 3

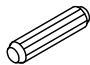
Attach F side panel(C) to it.


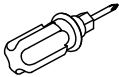


### Step 4

Insert side panel D into the corresponding hole of panel (A) , make sure all holes aligned and use 2 and 3 to tighten it as picture show.

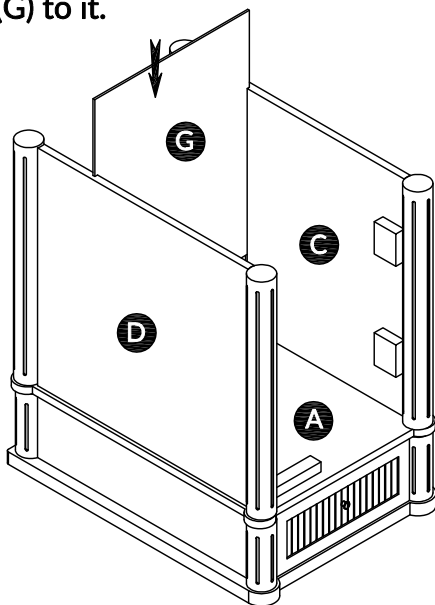


③	x2
	
D8x30mm	

②	x3	⑥	x1
			
D15x11mm			

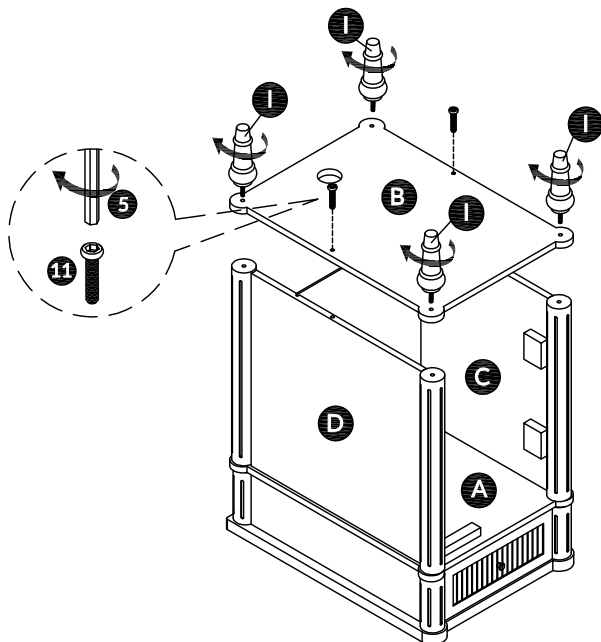
### Step 5



Attach back panel(G) to it.



### Step 6

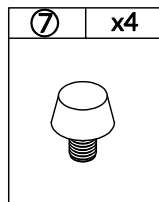
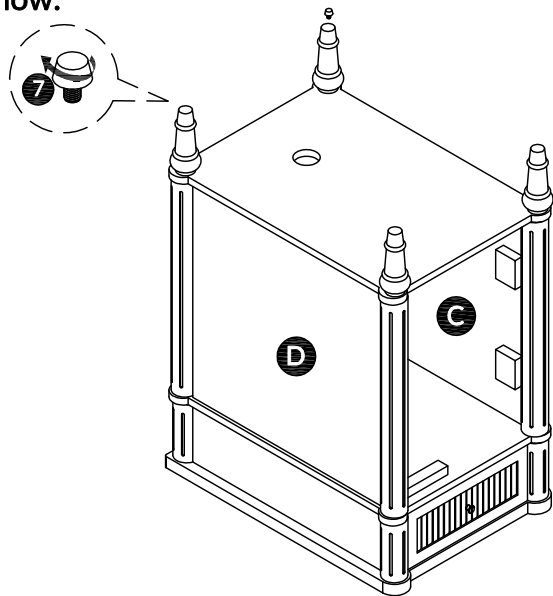
Attach Leg I bottom panel(B) to it.



(11)	x2	(5)	x1
			
D6x30mm		M4	

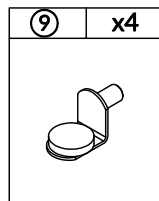
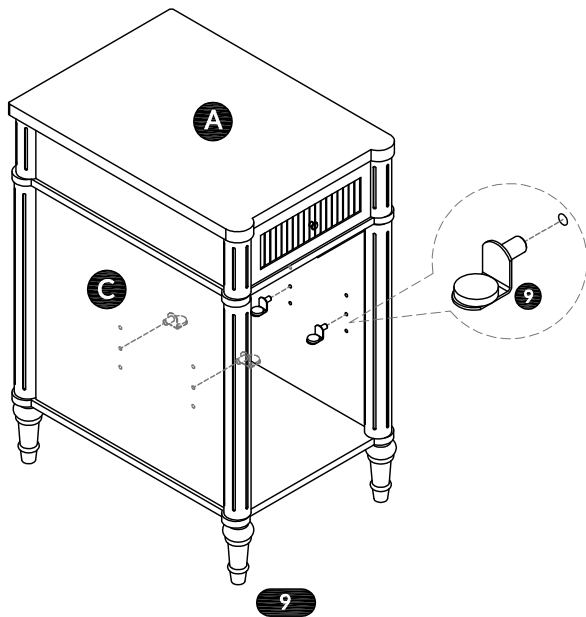
### Step 7

Use (7) into the corresponding hole of Leg (I) , make sure all holes aligned as picture show.

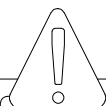
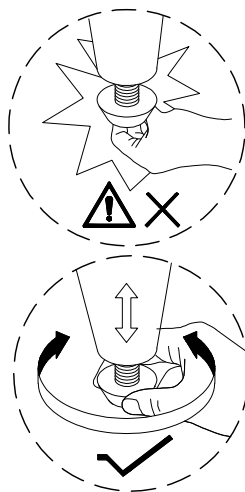
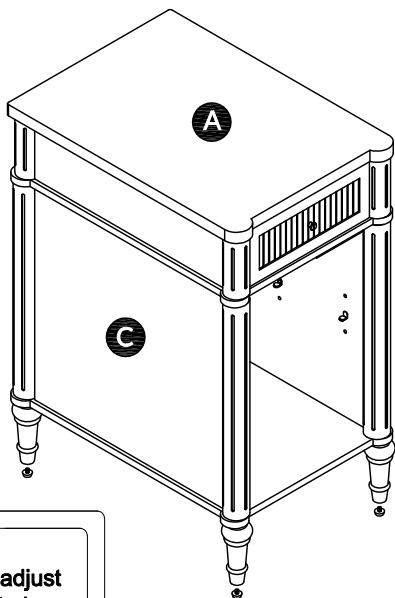


### Step 8

Use (9) into the corresponding hole of panel (C/D), make sure all holes aligned as picture show.



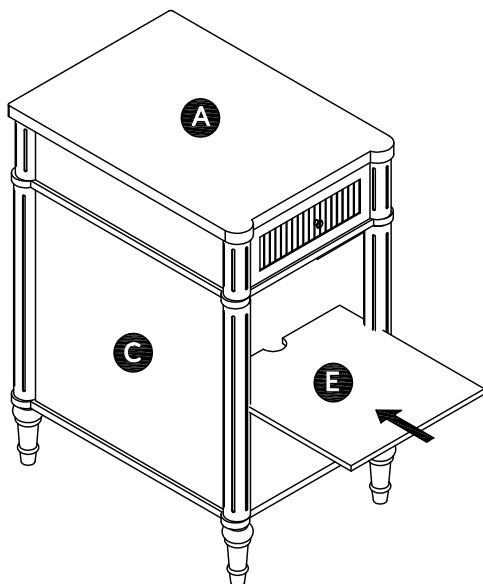
## Step 9



**Attention:**  
Before the next step, adjust  
the feet of the locker to keep  
it level.

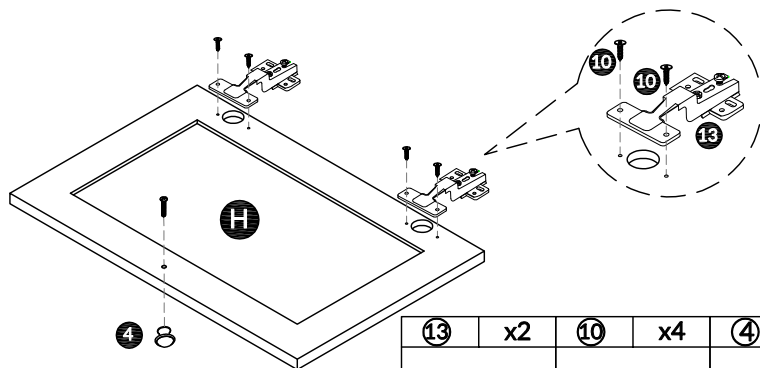
## Step 10

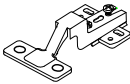

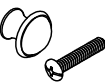
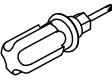
Attach panel (E) to it.



## Step 11

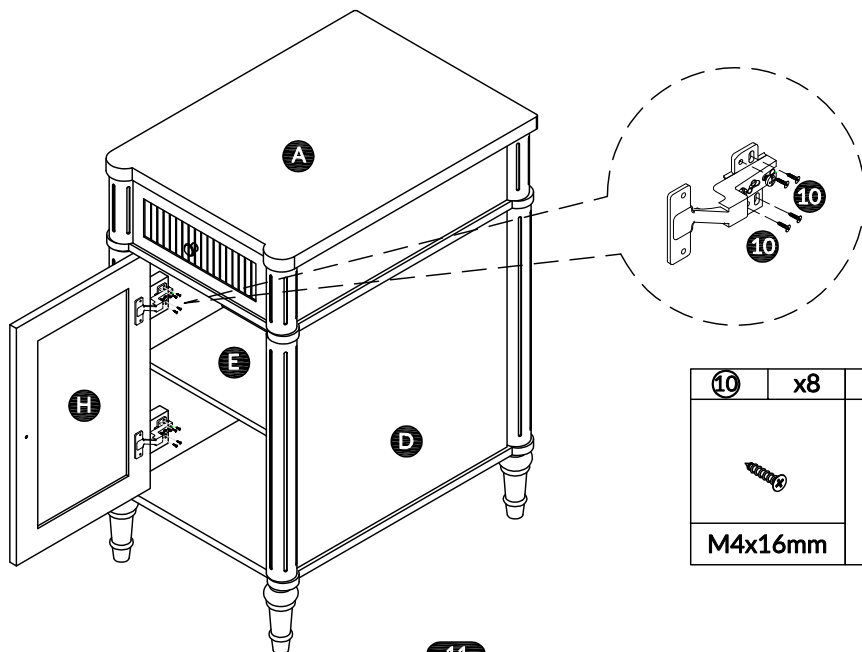
Install hinges 13 use screw 10 and handles 4 on the door panel (H), as picture show.


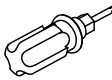


13	x2	10	x4	4	x1	6	x1
							
		M4x16mm		M4x25mm			

## Step 12

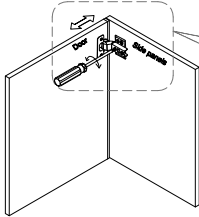
Attach panel H to panel C, as picture show.



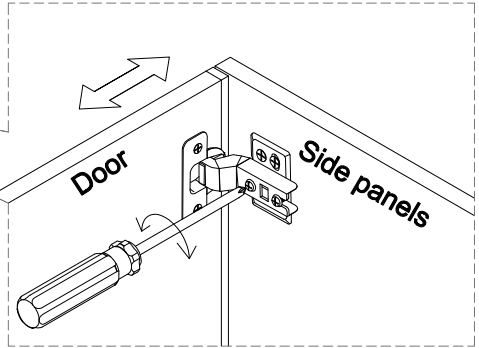
10	x8	6	x1
			
	M4x16mm		

# Door Hinge Adjustment Instructions

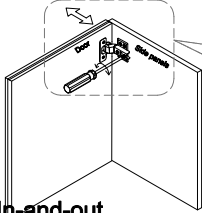
Concealed hinges are three-way adjustable:



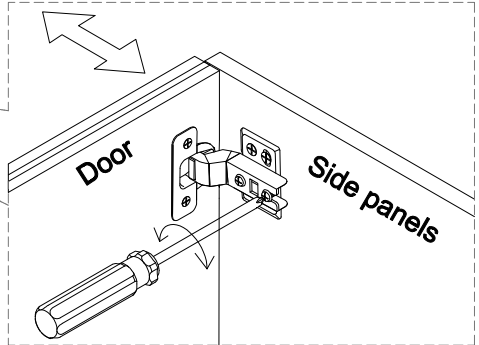
Horizontal  
by screw adjustment!



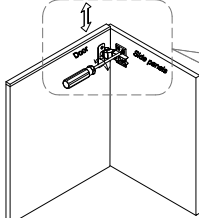
Concealed hinges are three-way adjustable:



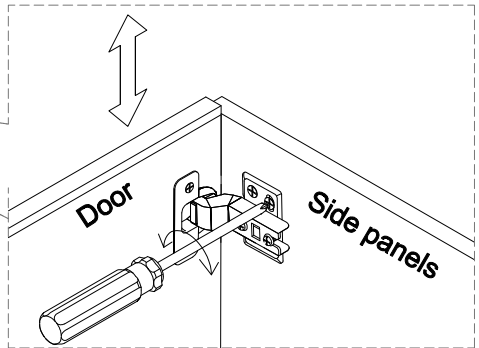
In-and-out  
by loosening the hinge arm  
mounting screw or via cam  
adjustment!



Concealed hinges are three-way adjustable:

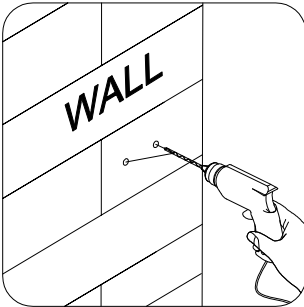
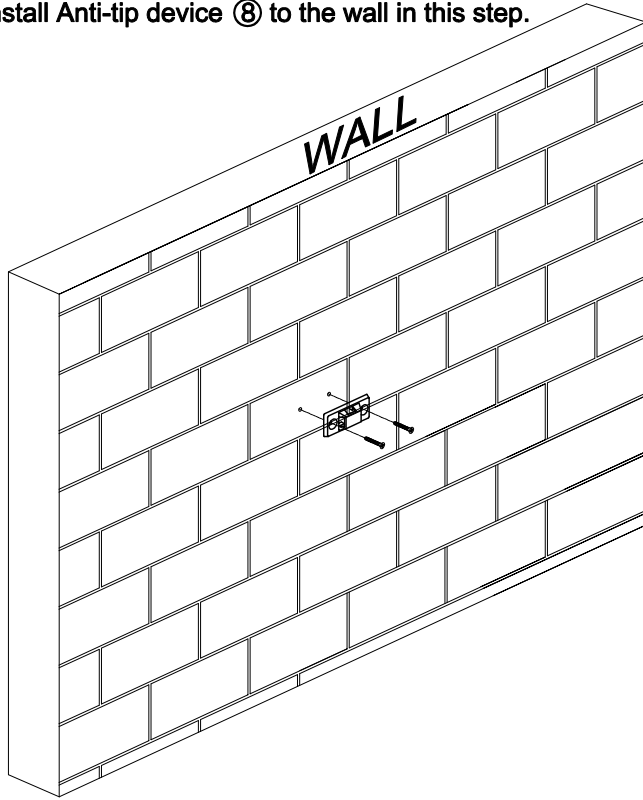


Vertical via slots in  
the mounting plate  
or via cam adjustment!

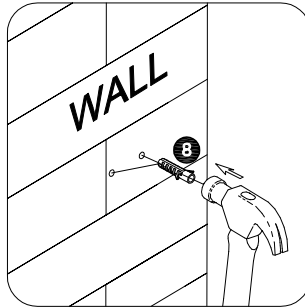


# Step 13

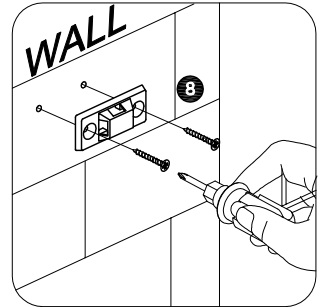
Install Anti-tip device ⑧ to the wall in this step.






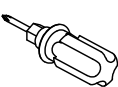
1. Drill a hole in the wall with an electric drill.



2. Tap the plastic wall anchor into the hole with a hammer.



3. Secure the Anti-tip device to the wall with screws

	⑧ x1		⑥ x1
	D4x39mm		

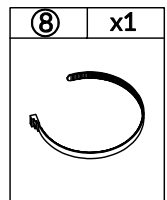
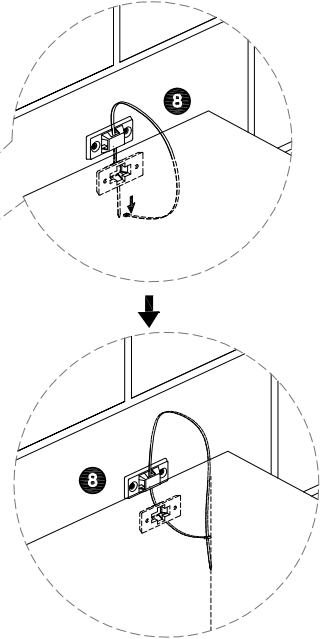
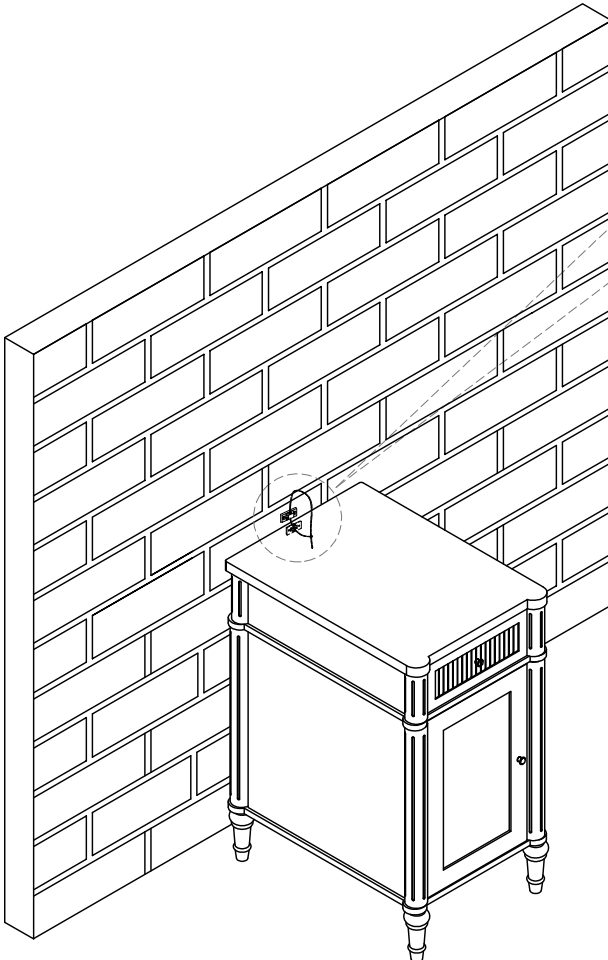
## Step 14

### WARNING

**Children have died from furniture tipover.**

**To reduce the risk of furniture tipover:**

- ALWAYS install Anti-tip device provided.
- For use with televisions weighing 35 lb or less. Use with heavier televisions may result in instability causing tip-over resulting in death or serious injury.
- NEVER allow children to stand, climb or hang on drawers, doors, or shelves.
- NEVER open more than one drawer at a time.
- Place heaviest items in the lowest drawers.



# WARRANTY

- We strive to offer quality products, and we also try our best to satisfy every customer who orders from us with products or services as needed.
- Replacement parts can be purchased from our company if available.
- For returns, please check the return policy with the retailer or marketplace where you purchased the item.

## ***Are you having difficulty***

With assembly? Missing parts?  
Please send an email with your order No. to  
[Customerservice@hulalahome.com](mailto:Customerservice@hulalahome.com)

We appreciate your purchase.  
Brighten your life with our furniture!