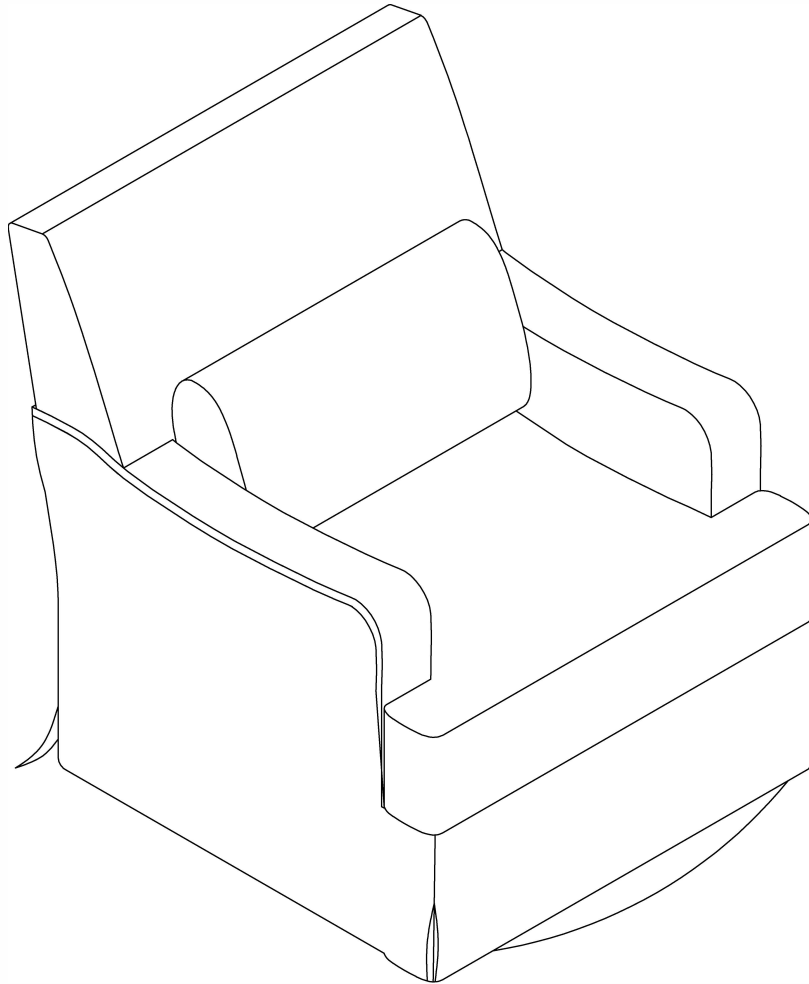


Owner Manual



Per Seat Weight Limitation
850LBS



Installation:
45 minutes.



Two Person

Thank You For Choosing Our Furniture
If you have any questions or concerns,
don't hesitate to reach out to us.

NOTE:

This brochure contains
IMPORTANT safety info.
Please read and keep it
for future reference.

MAINTENANCE AND WARNINGS



Before You Start

Please follow the steps below:

- ⚠ Check the packaging for any damage, deformation, or water stains. If there is significant damage, please contact us promptly.
- ⚠ Unpack the box and compare the contents with the parts list and hardware list to ensure all components and accessories are present and complete.
- ⚠ Please read the installation instructions carefully to understand the installation steps and precautions to ensure proper installation.
- ⚠ Clean the installation area in advance and ensure the ground is level and there is enough space to avoid damaging the furniture or making installation difficult.
- ⚠ Lay a protective mat on the ground to prevent scratching the floor during installation.

After-Sales Service

- If you encounter any issues or need technical support during use, please contact our after-sales team. We offer long-term maintenance and warranty services.



Precautions

- ⚠ This product is for indoor use only. Do not expose it to outdoor elements or high-humidity environments.
- ⚠ Keep the product away from high heat or open flames to prevent fire hazards.
- ⚠ Do not allow children to climb on the product, as this may cause tipping and result in personal injury.

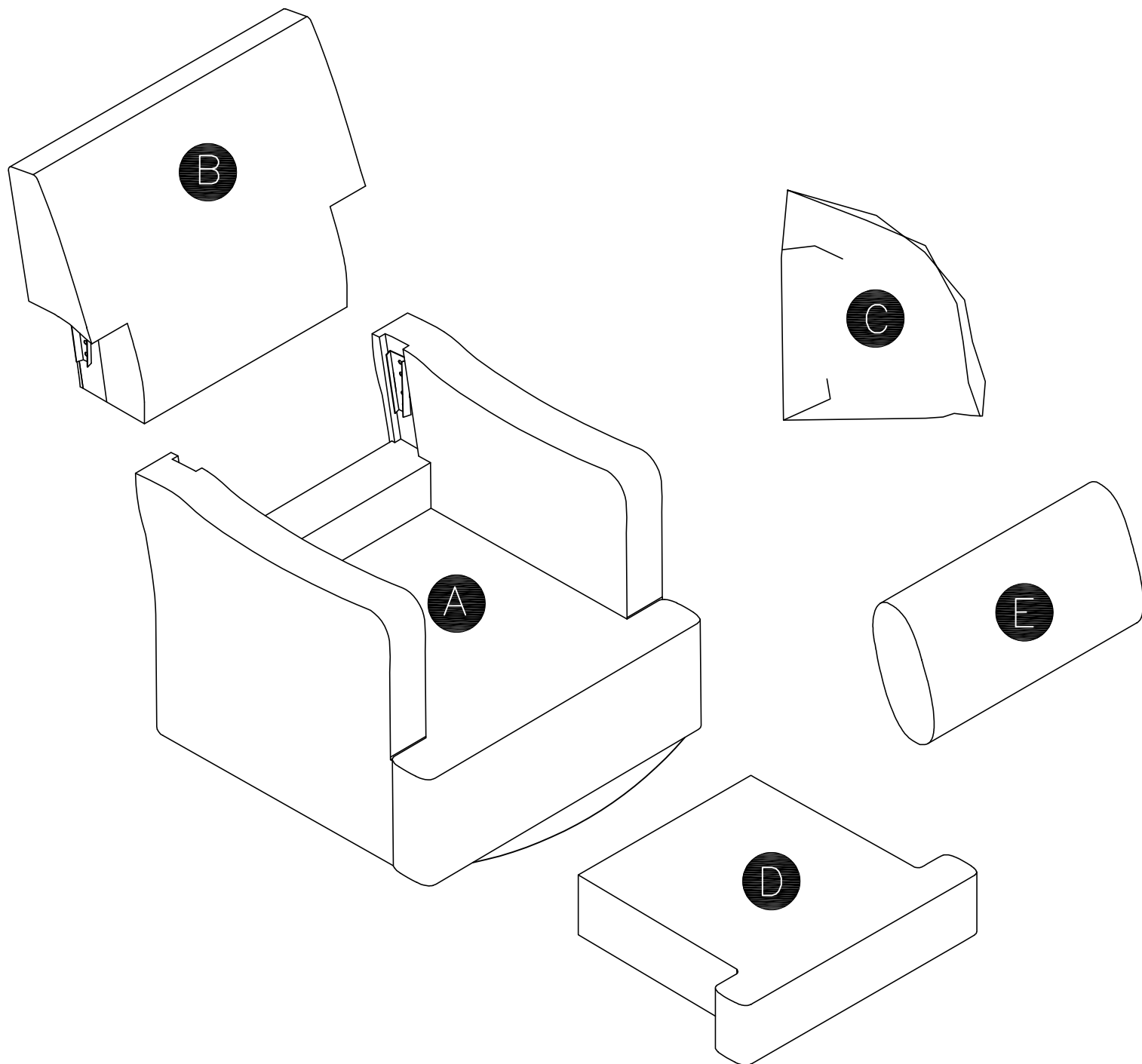


Safety Warnings

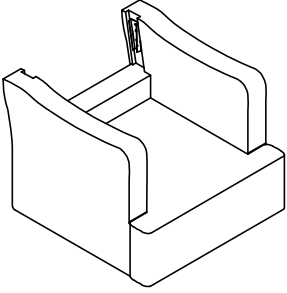
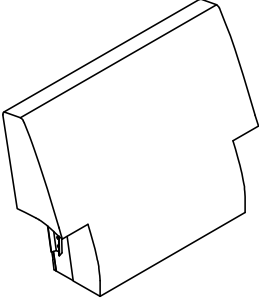
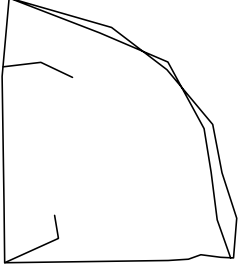
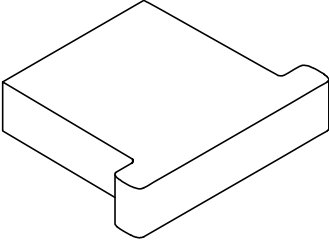
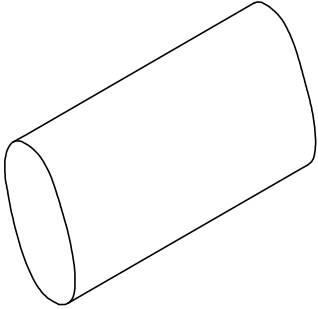
- ⚠ If you notice any loose or damaged parts, stop using the product immediately and contact customer service.
- ⚠ Do not attempt to disassemble or replace any components yourself, as this may affect the stability and safety of the product.

- Daily Maintenance
Regularly clean the surface with a soft cloth to prevent dust accumulation.
- Do not use cleaning agents containing acids, alkalis, or corrosive substances, as they may damage the surface. It is recommended to use neutral cleaning agents or specialized furniture cleaners.
- Avoid exposing furniture to humid environments for extended periods. Use a dehumidifier or desiccant during humid weather.
- Avoid direct contact of furniture with water. If water is accidentally spilled, wipe it dry immediately.
- Avoid placing excessively heavy objects on the furniture: ensure the weight is within a reasonable load-bearing range.
- Avoid using sharp or rough items on the furniture surface to prevent scratches. Handle items gently when moving them.

Explosive view

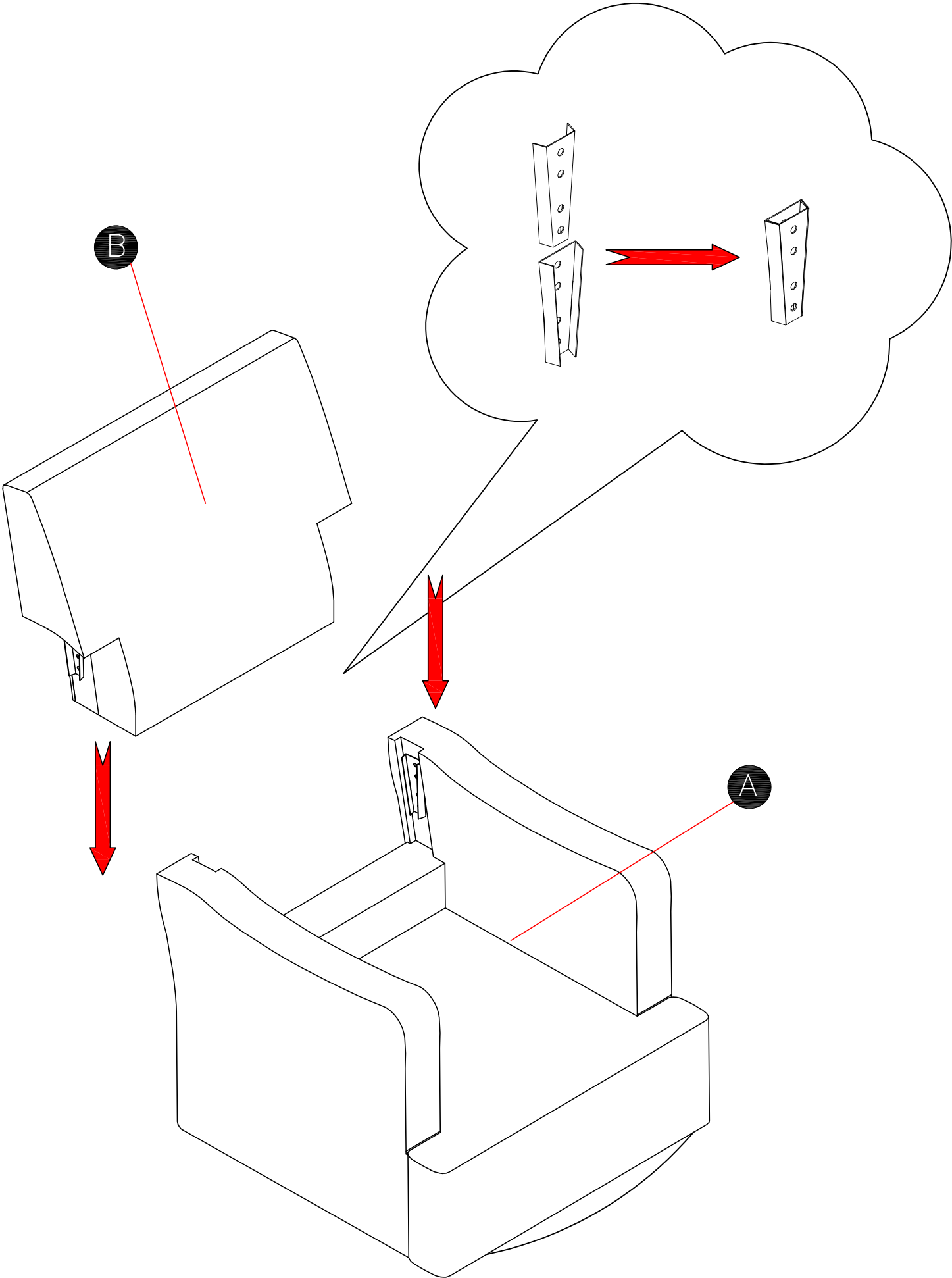


Parts list

A x1 Seat frame 	B x1 Back frame 	C x1 Case chair 
D x1 Seat cushion 	E x1 Pillow 	

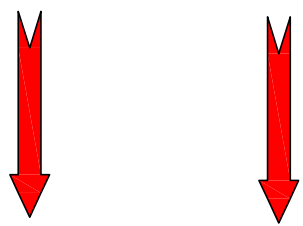
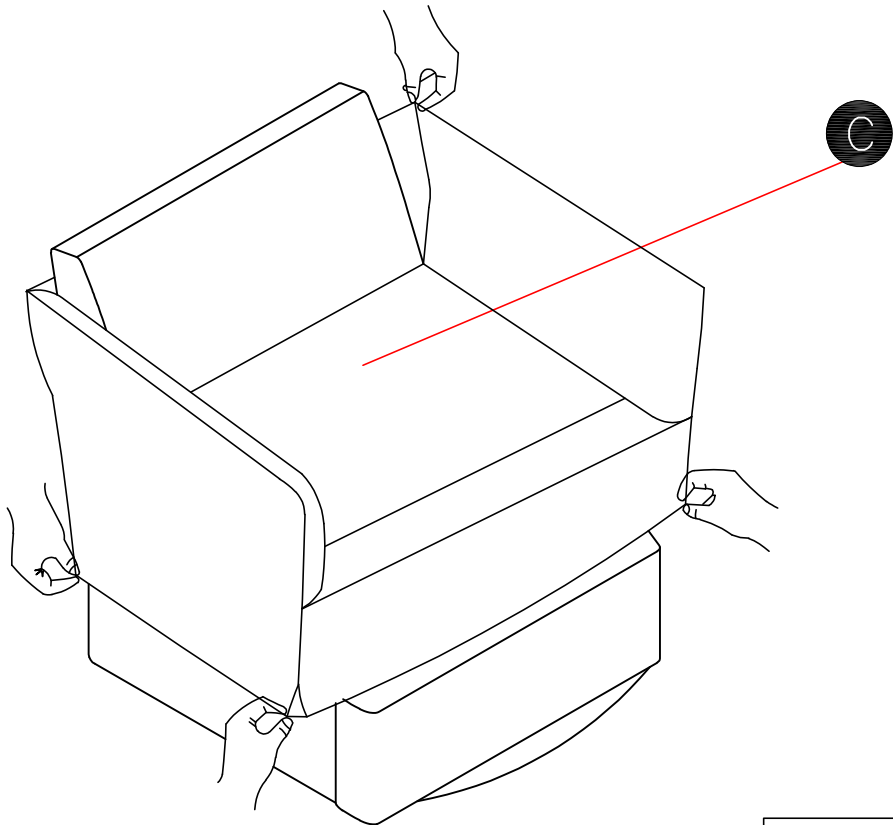
Step 1

Insert A and B by mental bass

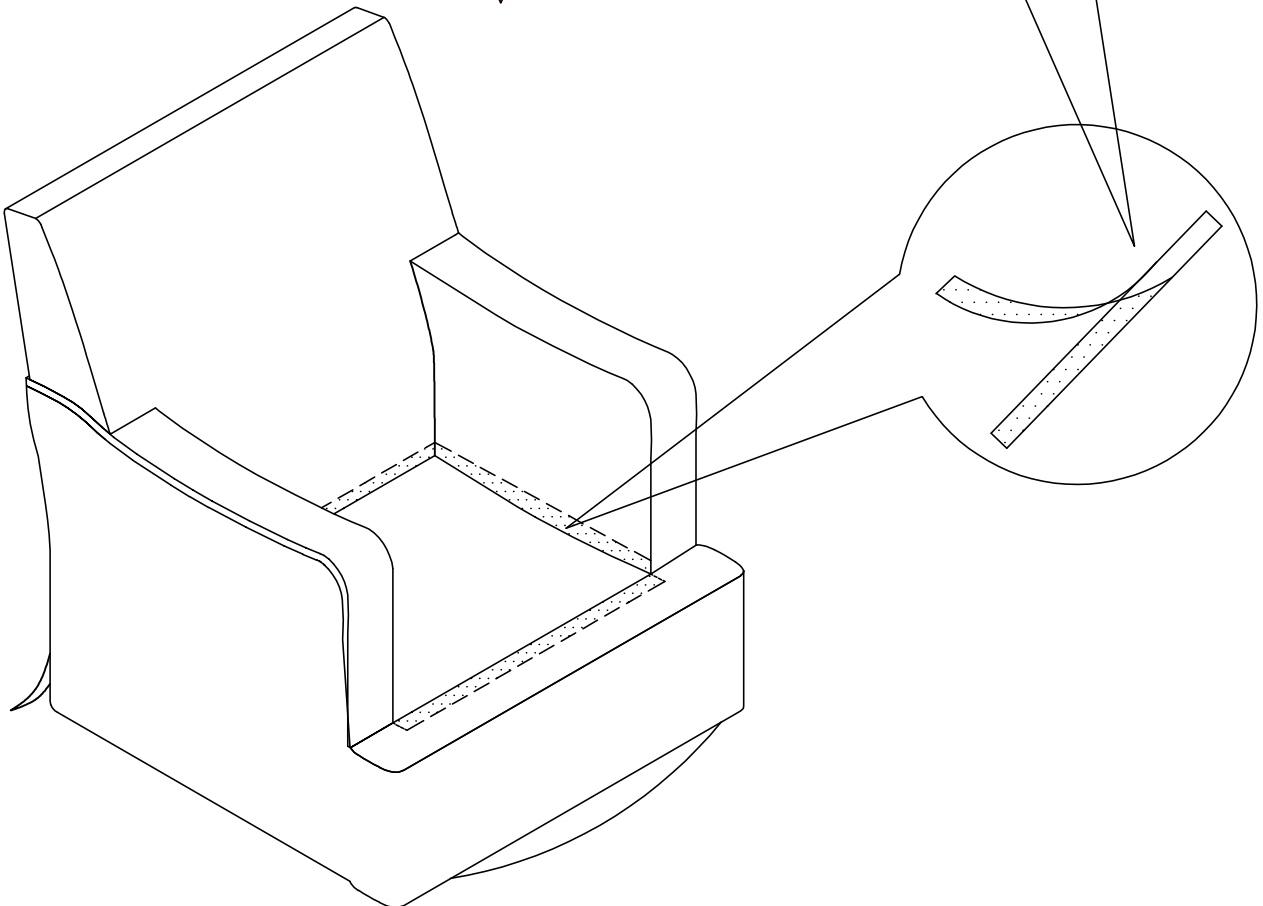


Step 2

Cover chair by case chair (C)

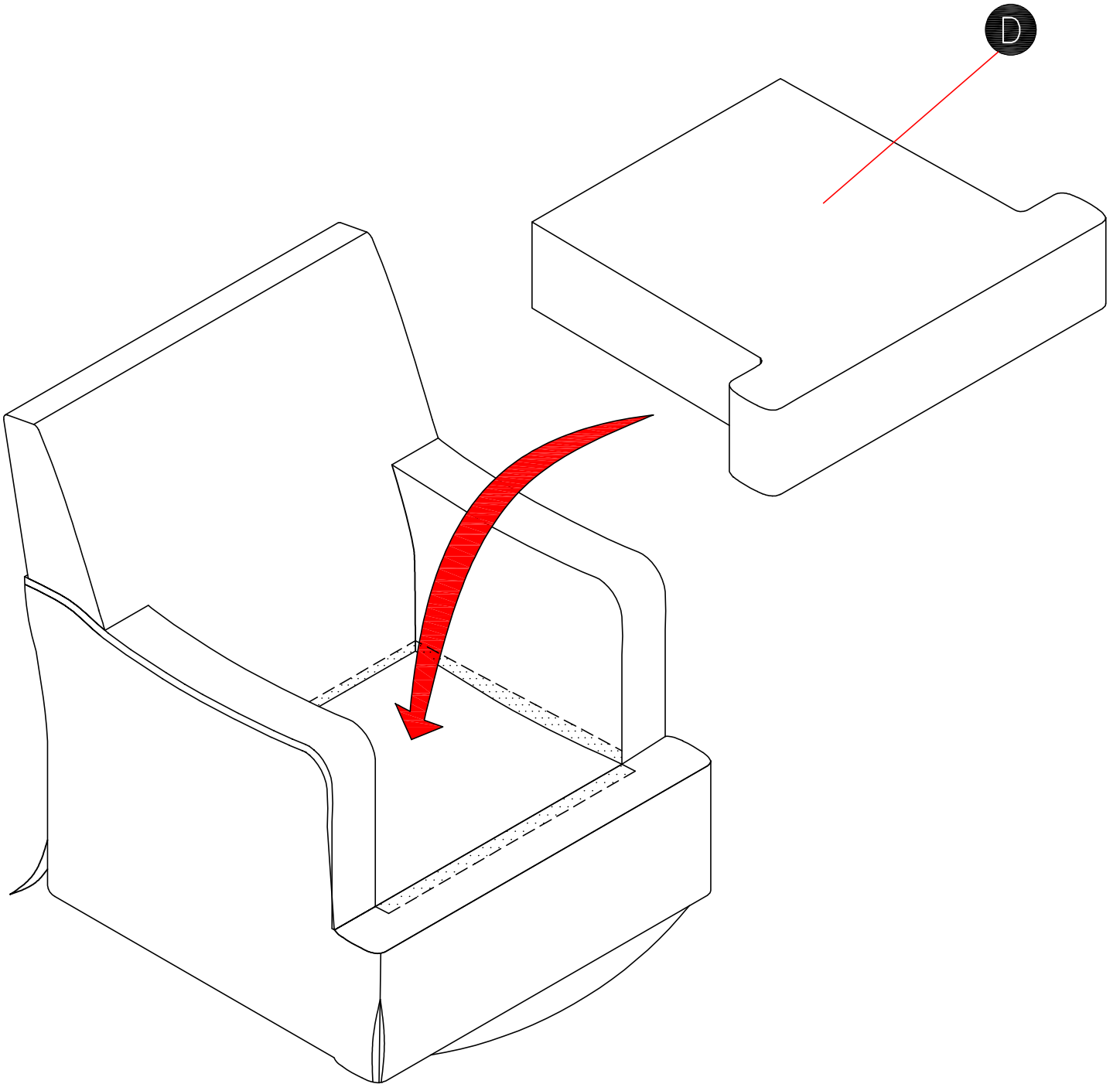


Use velcro to secure the chair cover



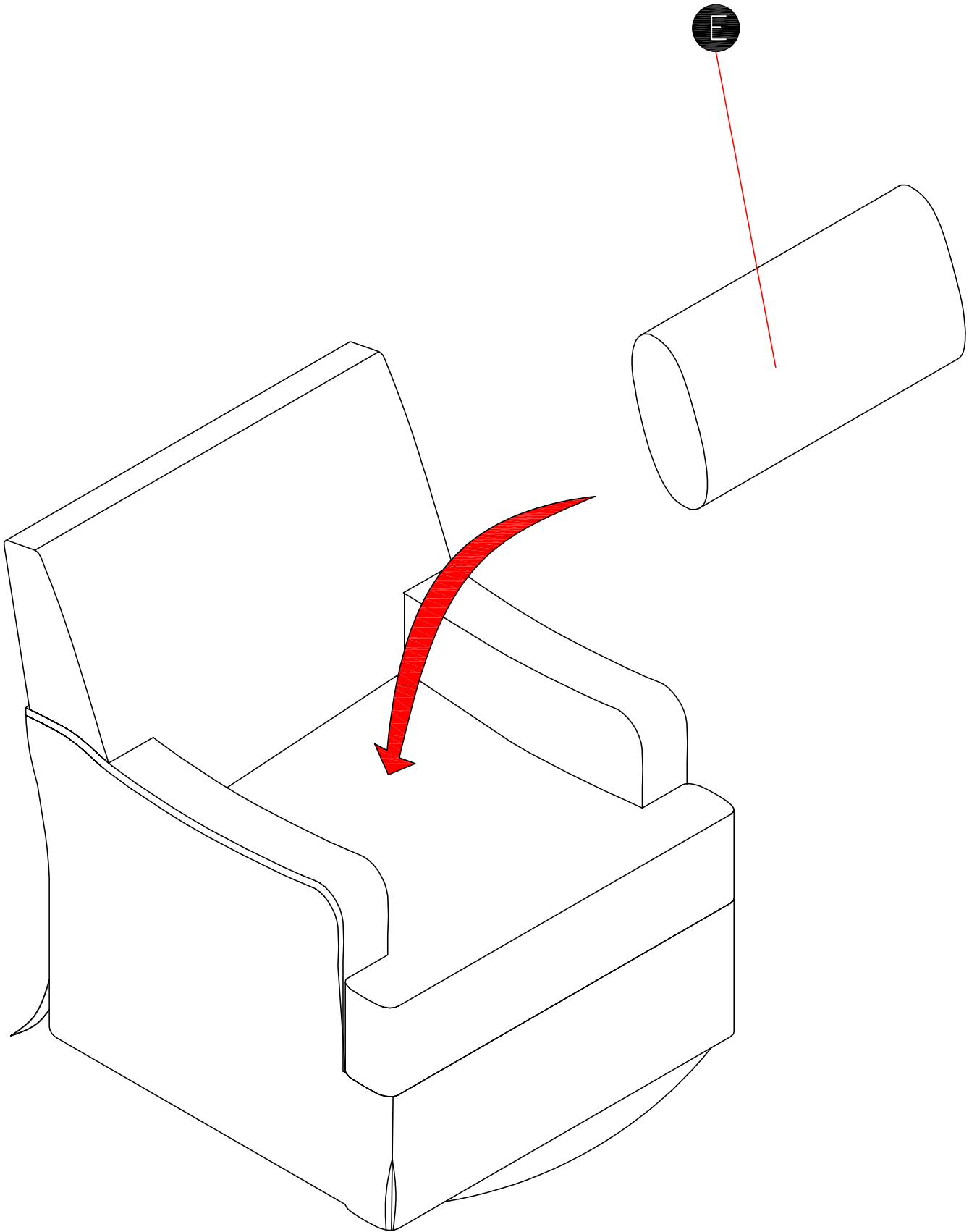
Step 3

Insert D

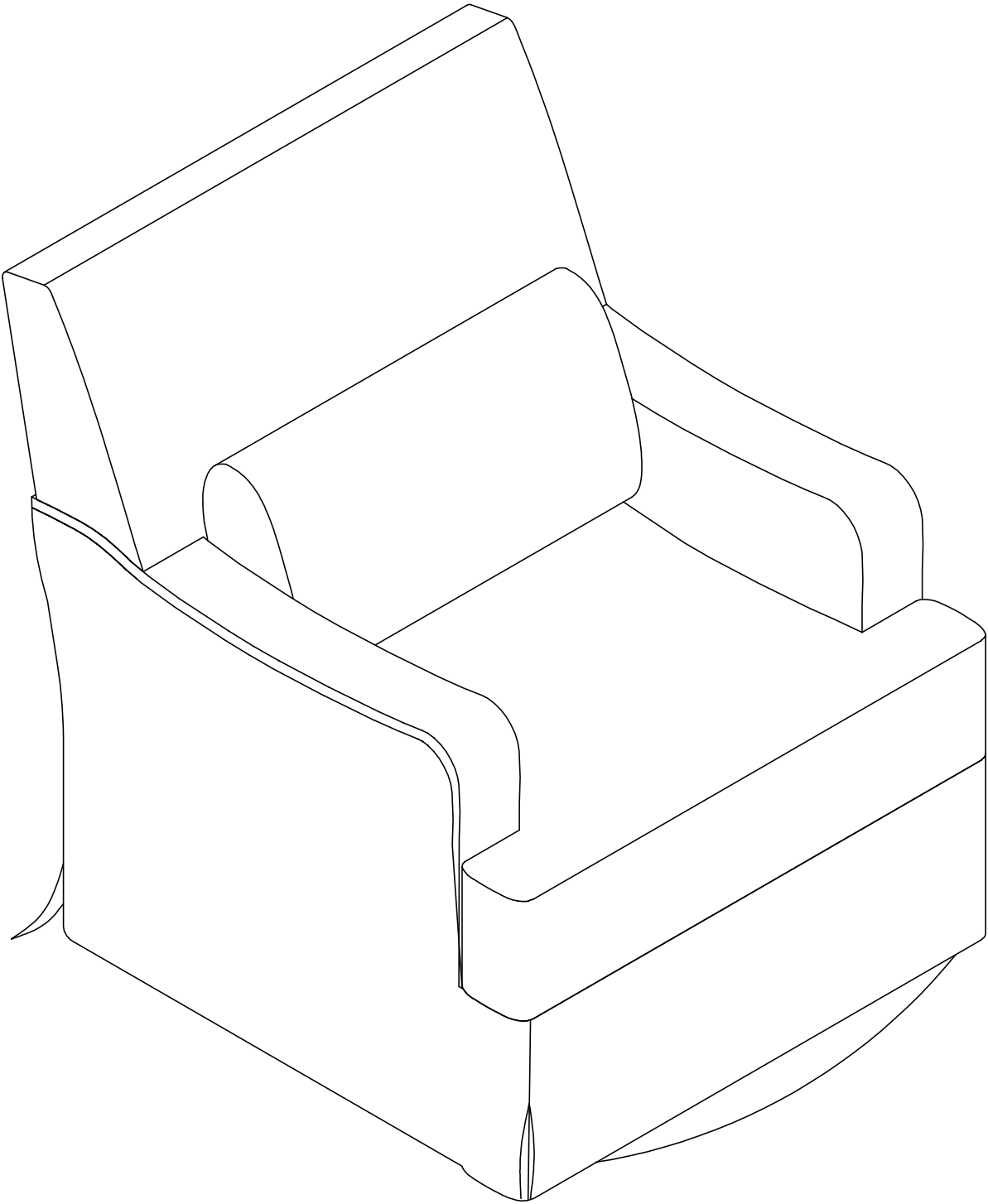


Step 4

Insert E



Step 5



Assembly completed.

WARRANTY

We strive to offer quality products, and we also try our best to satisfy every customer who orders from us with products or services as needed.

○

Replacement parts can be purchased from our company if available.

○

For returns, please check the return policy with the retailer or marketplace where you purchased the item.