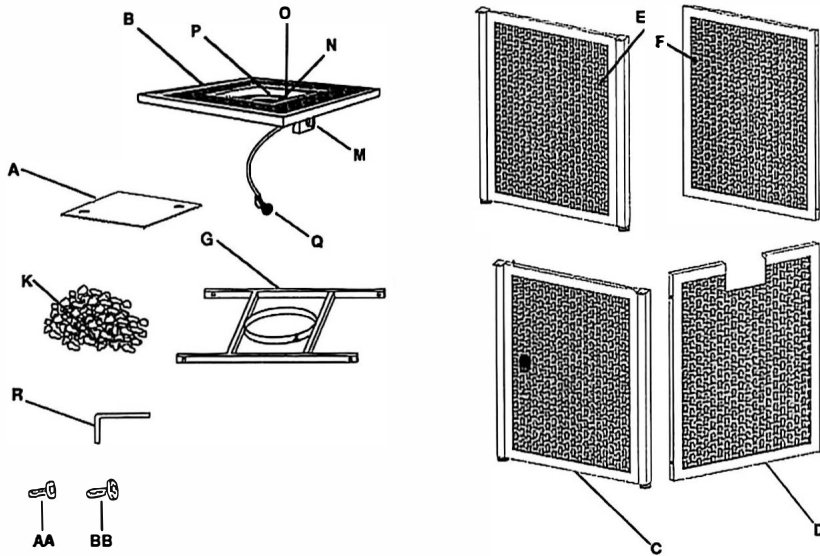


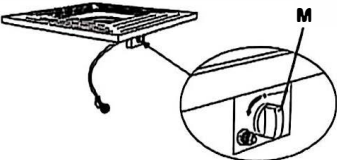
Parts list



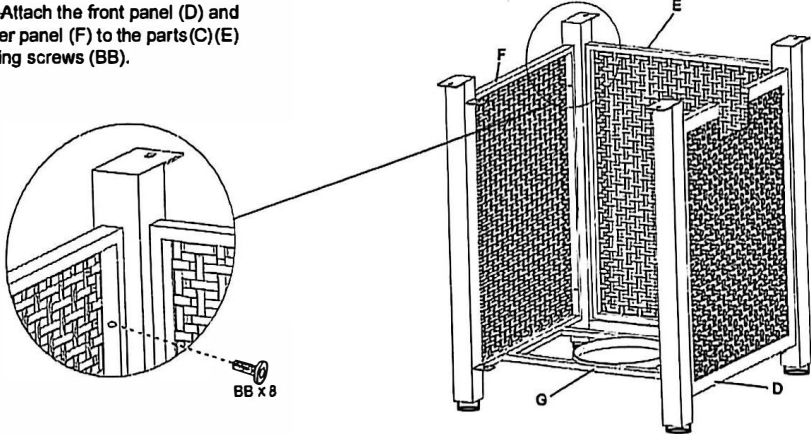
Item	Description	Qty
A	Lid	1
B	Table Top	1
C	Door	1
D	Front Panel	1
E	Slide Panel	2
F	Later Panel	1
G	Metal Stand	1
K	Glass Beads	1
M	Control Knob (preassembled)	1
N	Guard (preassembled)	1
O	Firebowl (preassembled)	1
P	Burner (preassembled)	1
Q	Regulator Hose (preassembled)	1
R	Screwdriver	1
AA	M6 x 15 Screw	4
BB	M6 x 30 Screw	12

Assembly instructions

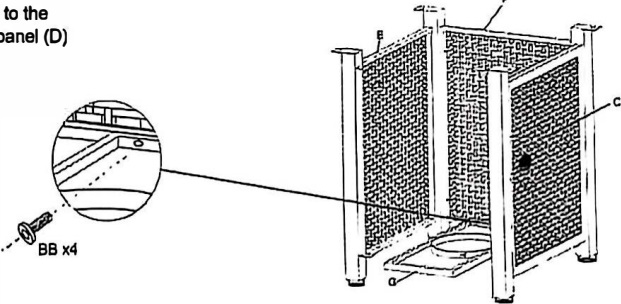
1—Check that the control knob (M) for the gas supply system is turned to the "OFF" position before starting any assembly.



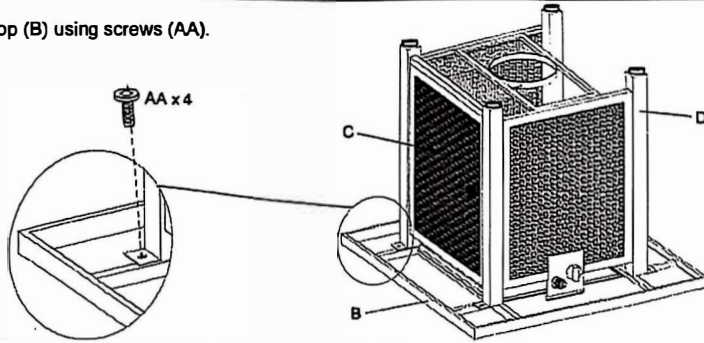
2—Attach the front panel (D) and later panel (F) to the parts (C)(E) using screws (BB).



3—Attach metal stand (G) to the later panel (F) and front panel (D) using screws (BB).



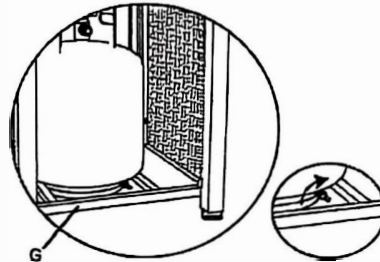
4--Attach the table top (B) using screws (AA).



5--Put the lid(A)

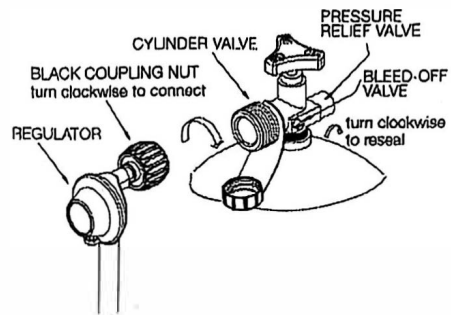


6--Place propane gas tank (not included) into the metal stand (G). Make sure the gas tank sits on the metal stand (G) completely. Turn the preassembled wing screw on the outer part of metal stand(G) clockwise to secure the propane gas tank tightly.



Assembly instructions

7--Turn the cylinder valve on the tank clockwise to close the propane tank. Attach the preassembled regulator from the table top to the cylinder valve by turning the regulator coupling nut clockwise. Make sure it is fastened securely and tighten connections by hand only.



8--Pour the box of glass beads (K) into the firebowl.

CAUTION

To ensure proper function, the guard on this burner should be free of lava rocks at all times.

