









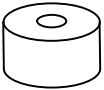
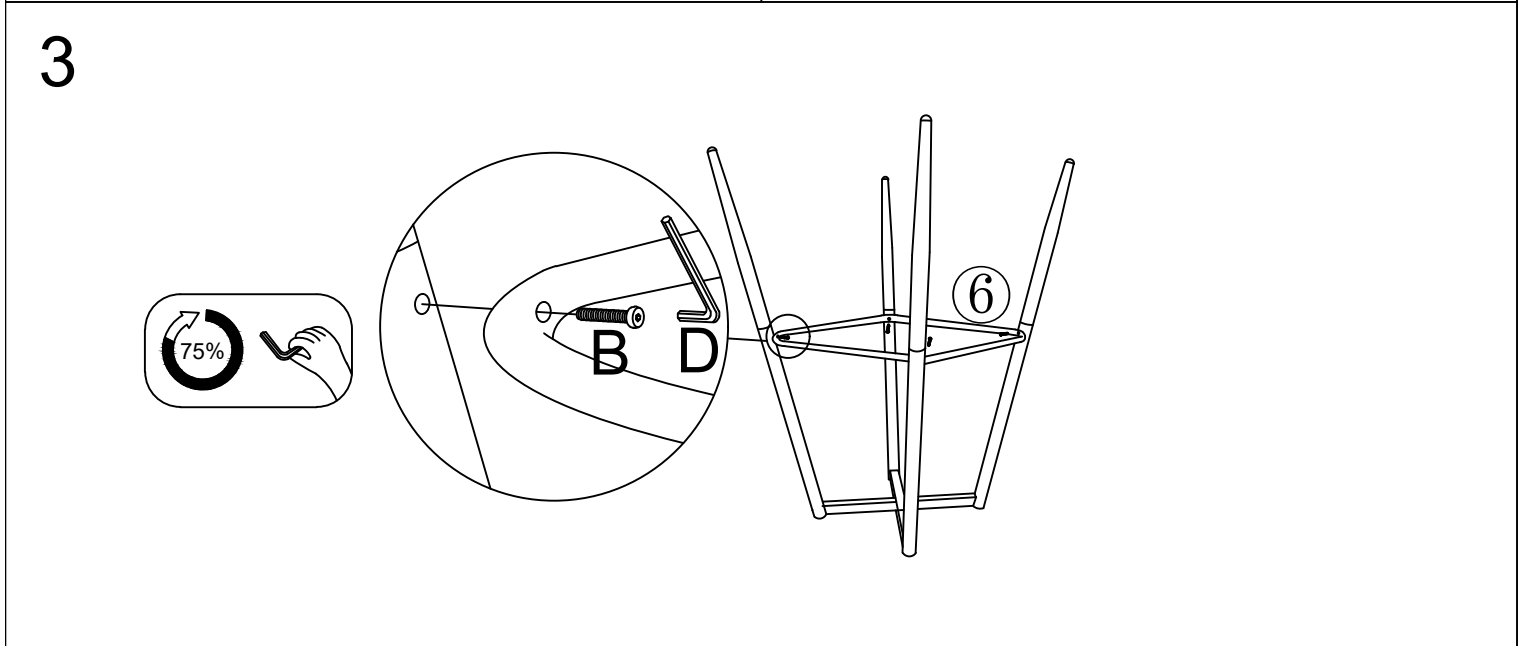
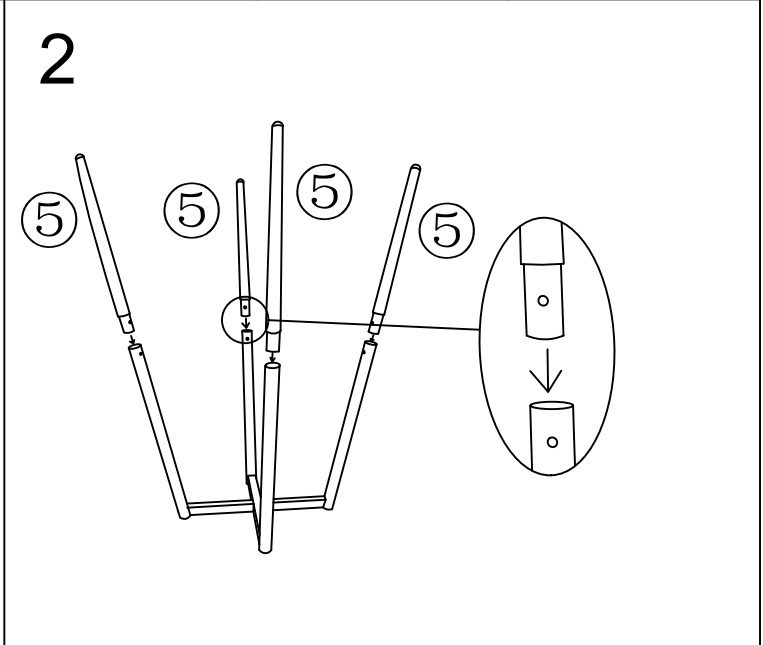
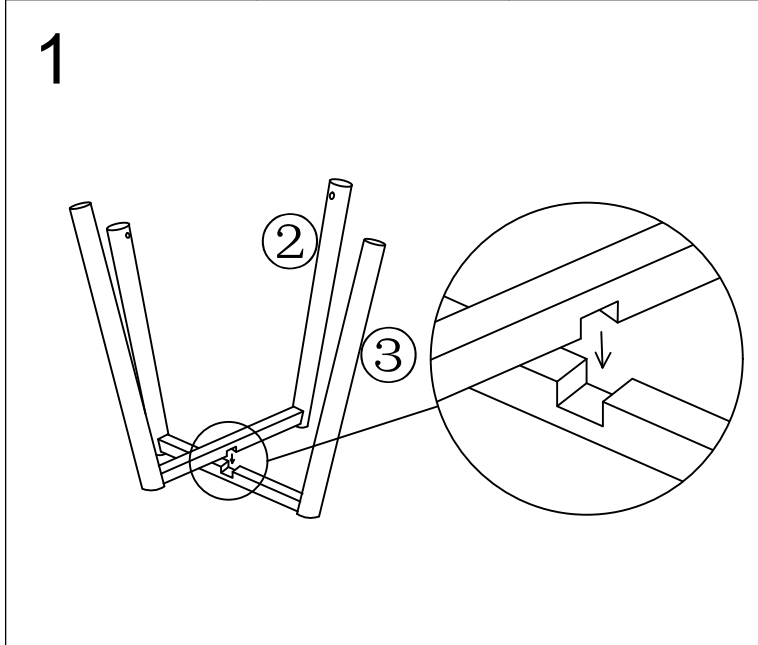
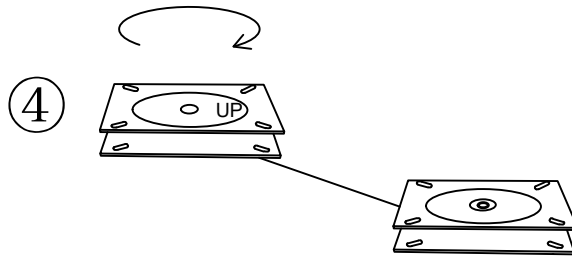


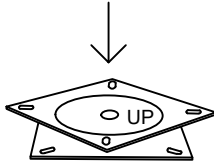
①X1	②X1	③X1	④X1	⑤X4	⑥X1
					
AX6	BX6	CX8	DX1	EX2	
 M6X16mm	 M6X25mm	 M6X18mm	 5#		



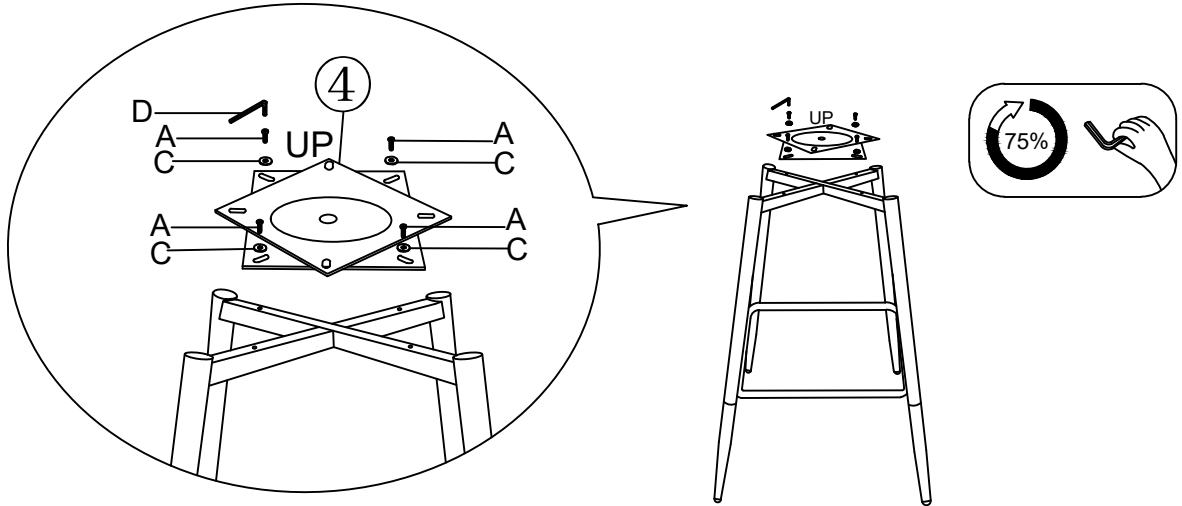
4



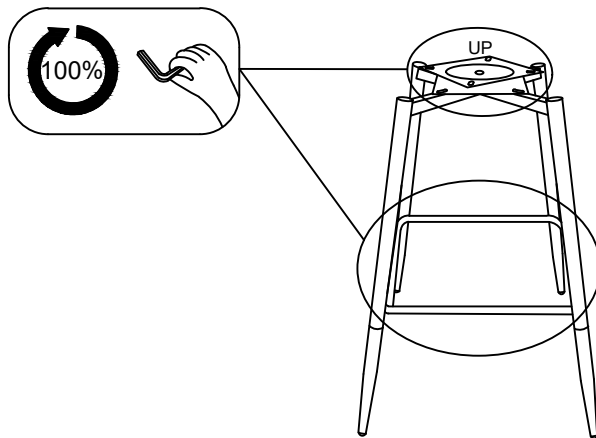
Rotate the top half of component 2 by 45°.



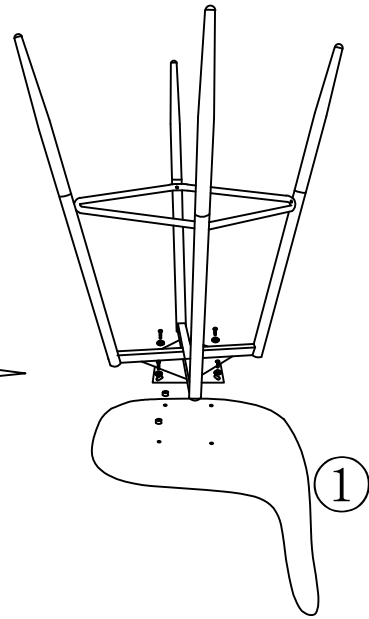
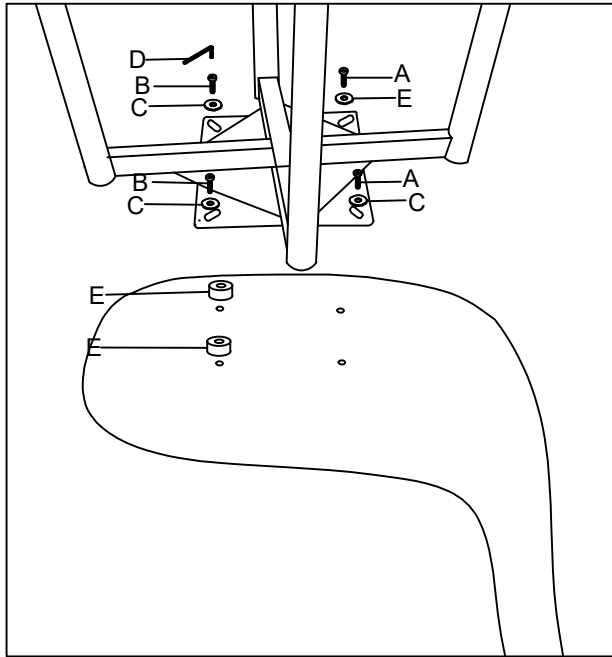
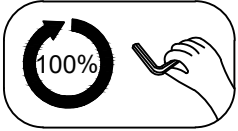
5



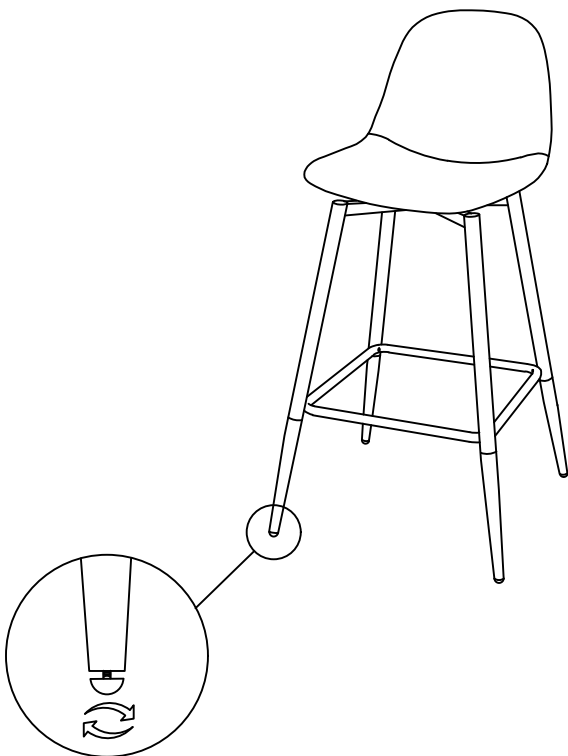
6



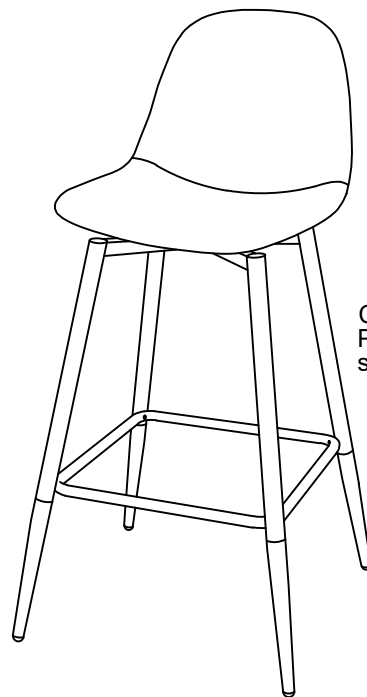
7



8



9



CAUTION: PINCH POINT.  
Please keep hands clear during swivel.