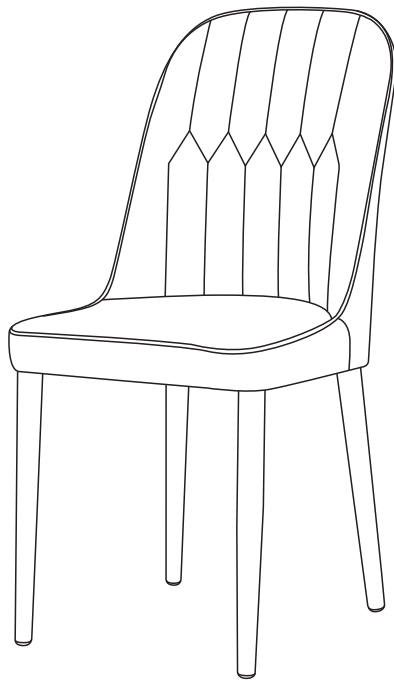
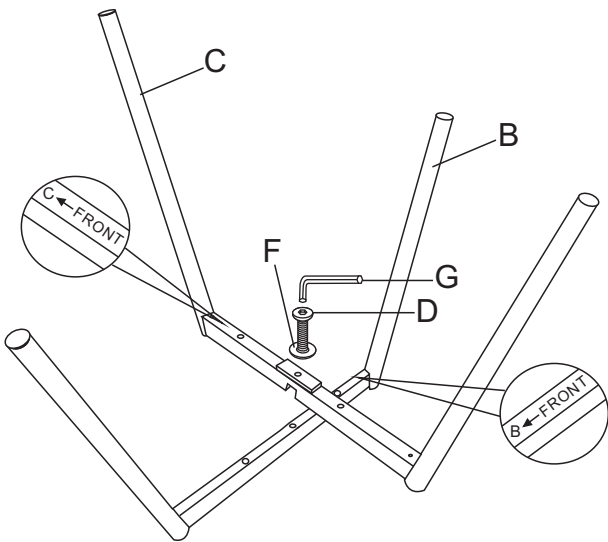


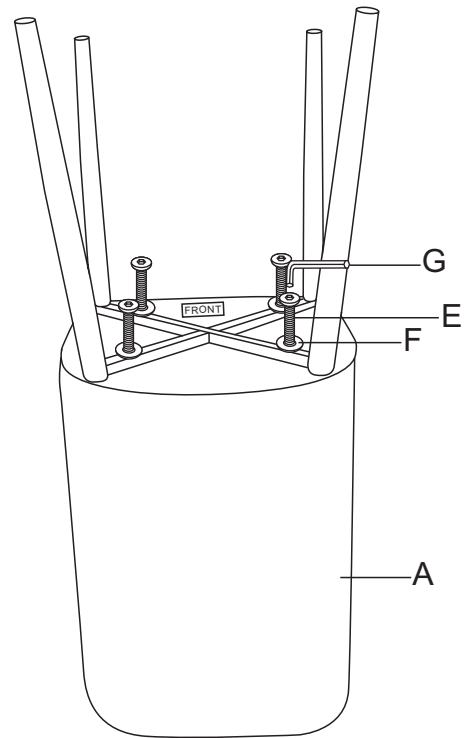
ASSEMBLY INSTRUCTIONS



1



2



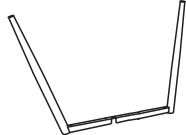
Ax1



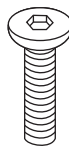
Bx1



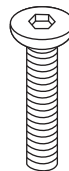
Cx1



Dx1



Ex4



Fx5



Gx1

