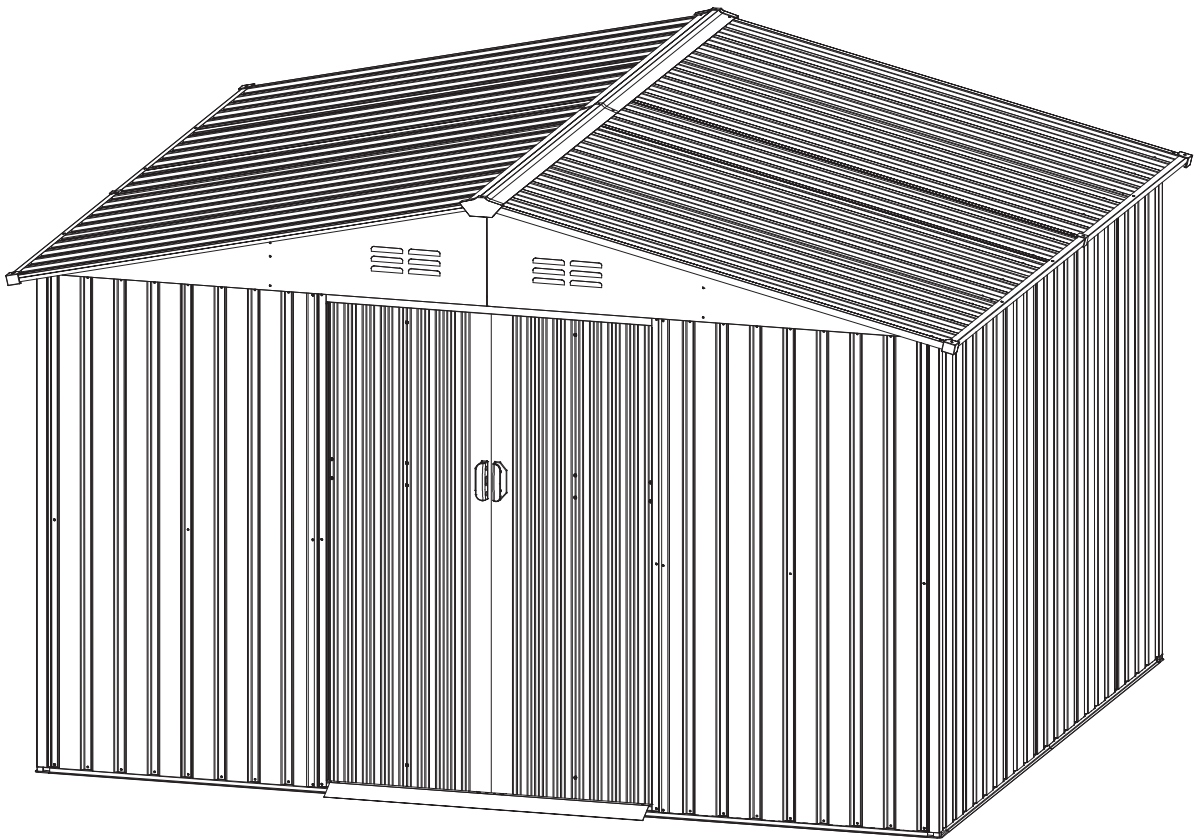


**NUU**  **GARDEN**®

———— ENJOY LIFE · SHARE HAPPINESS ————

## INSTRUCTION MANUAL



**Galvanized Sheet Tool Room**

GS001-02

## INTRODUCTION



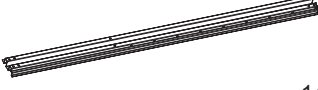
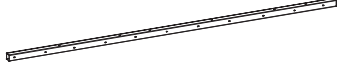


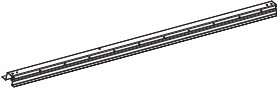
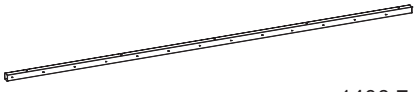
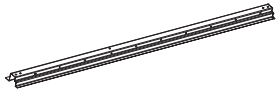
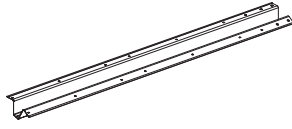

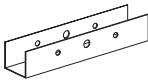

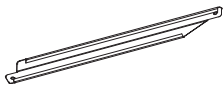

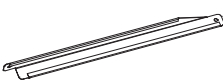
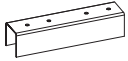
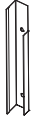
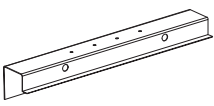
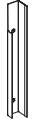

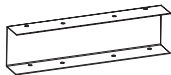
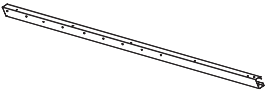
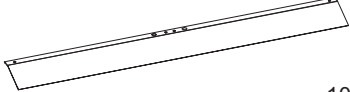
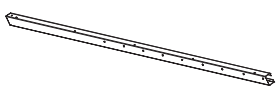
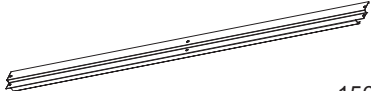
Thanks for purchasing and trusting NUUGARDEN with your home decorating plans. This product is a piece of furniture designed and made by NUUGARDEN Corp.



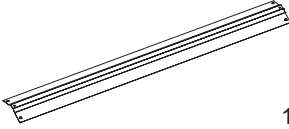





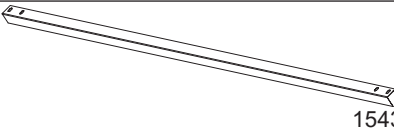
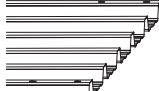

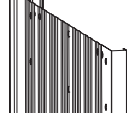

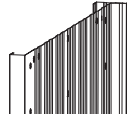
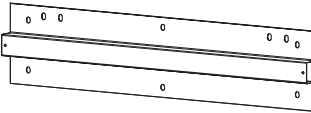
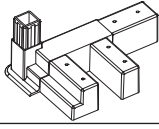
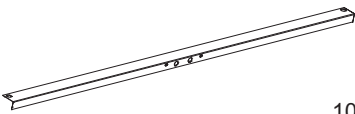
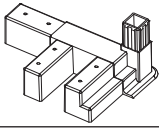

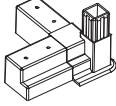
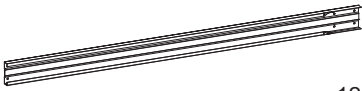
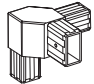

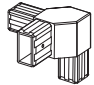
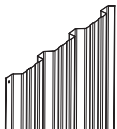
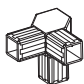
We are committed to R&D and innovation and creating the most exquisite and diverse outdoor series.

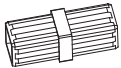
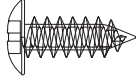
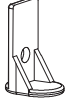

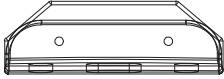
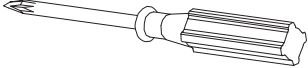
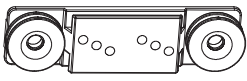
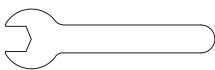

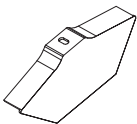

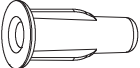

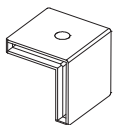
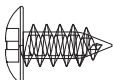
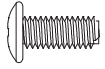

After unpacking and before every use, check whether the item shows any damage. In addition, check that you have all parts and hardware before assembly. If there is any damage, please do not use it and call customer service at (800) 257-7108 or email [service@nuugarden.com](mailto:service@nuugarden.com). If you do not have all the parts lists, have your dealer contact us and we will send them to you immediately.

This furniture is for outdoor use only. Please take time to read and follow the instructions below. Then, use this item as described in this operating manual. We accept no liability for damage caused by improper use.



NO.	PART.	Qty.	NO.	PART.	Qty.
1L	 1403.6mm	1	7F	 1139.2mm	2
1R	 1403.6mm	1	7B	 1139.2mm	2
2LF	 1093.3mm	1	8L	 1406.7mm	1
2LB	 1136.1mm	1	8R	 1406.7mm	1
2RF	 1093.3mm	1	9	 1226mm	2
2RB	 1136.1mm	1	10	 100mm	3
3L	 1350.1mm	1	10F	 405mm	1
3R	 1457.1mm	1	10B	 405mm	1
4F	 120mm	2	11L	 320mm	2
4B	 200mm	3	11R	 320mm	2
5	 1510mm	4	12	 120mm	1
6L	 1410.2mm	1	15	 1020mm	2
6R	 1410.2mm	1	17L	 1560mm	1





NO.	PART.	Qty.	NO.	PART.	Qty.
17R	 1560mm	1	W5	 1560mm	13
18	 1250.5mm	2	W6	 1560mm	2
19L	 1072mm	2	W7	 1560mm	4
19R	 1393mm	2	W12	 1535mm	2
20	 1543mm	4	W15	 1535mm	8
21L		2	M1	 1560mm	1
21R		2	M2	 1560mm	1
22	 532mm	6	A		1
23	 1090mm	1	B		1
25	 1236mm	2	C		2
26	 1236mm	2	D		1
27	 165mm	4	E		1
W3	 1560mm	4	F		2

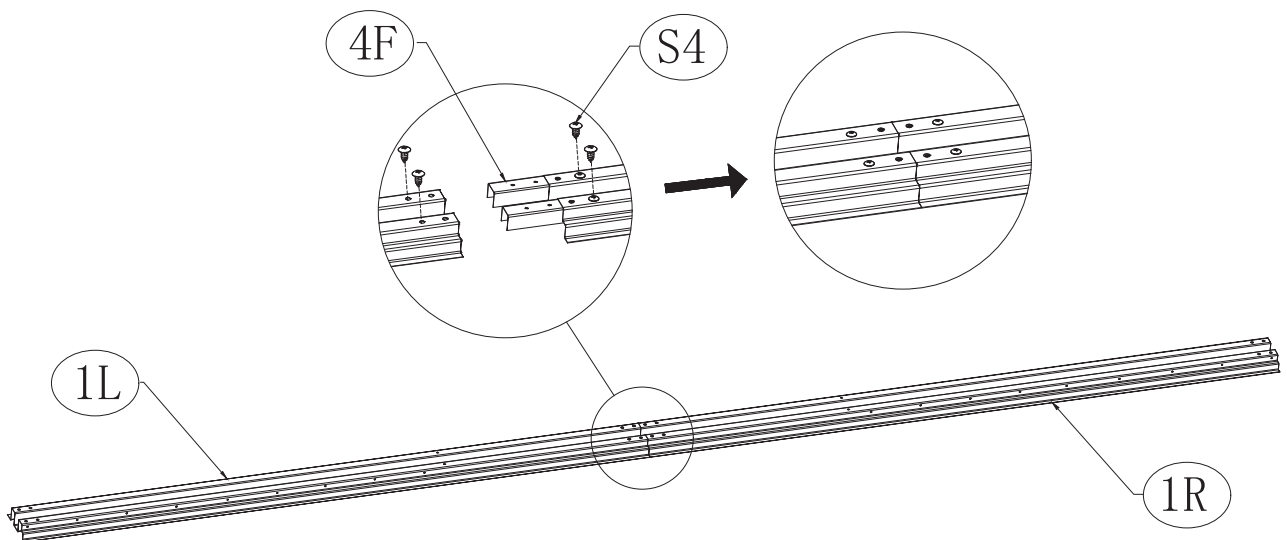
NO.	PART.	Qty.	NO.	PART.	Qty.
I		3	S8		12
F1		4	S9		4
F2		2	S12		1
F3		4	S15		1
F4		4			
F5		2			
F7		364			
F8		52			
F9		2			
F10		2			
S4		382			
S6		98			
S7		98			

ASSEMBLY INSTRUCTIONS

 **CAVEAT**

Note: Please tighten the bolts after each installation step.

NO.	PART.	Qty.
1L	 1403.6mm	1
1R	 1403.6mm	1
4F	 120mm	2
S4		4




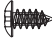
**STEP 1**

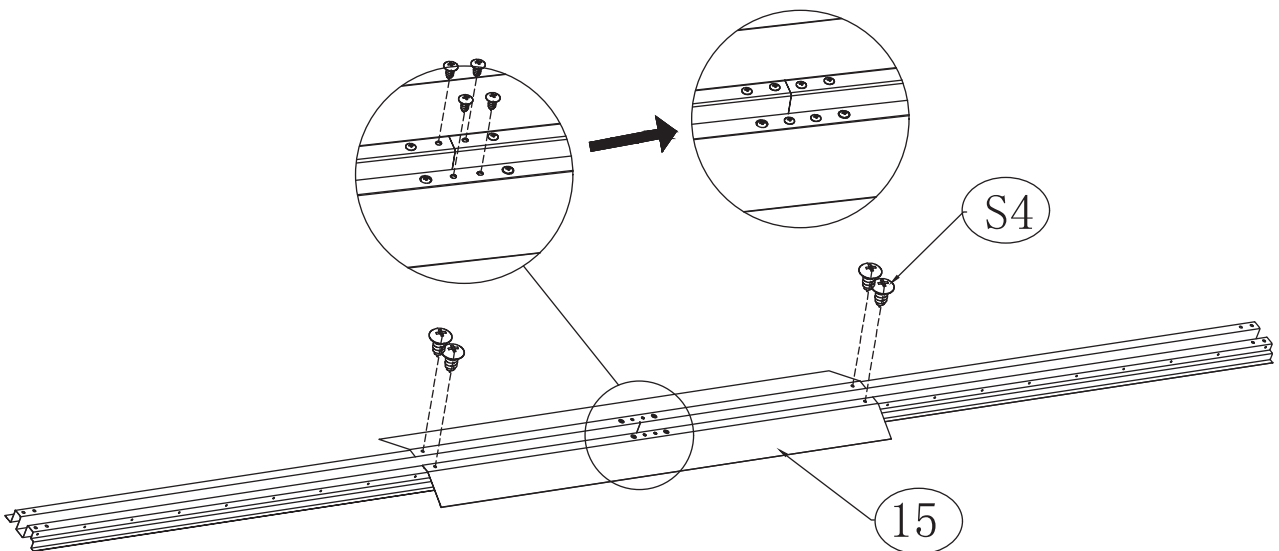
Attach frame (1L) to frame (1R) using 2 connectors (4F) and 4 screws (S4).

ASSEMBLY INSTRUCTIONS

**!** CAVEAT

Note: Please tighten the bolts after each installation step.

NO.	PART.	Qty.
15	 1020mm	2
S4		8



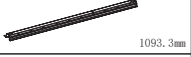

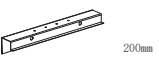

STEP 2

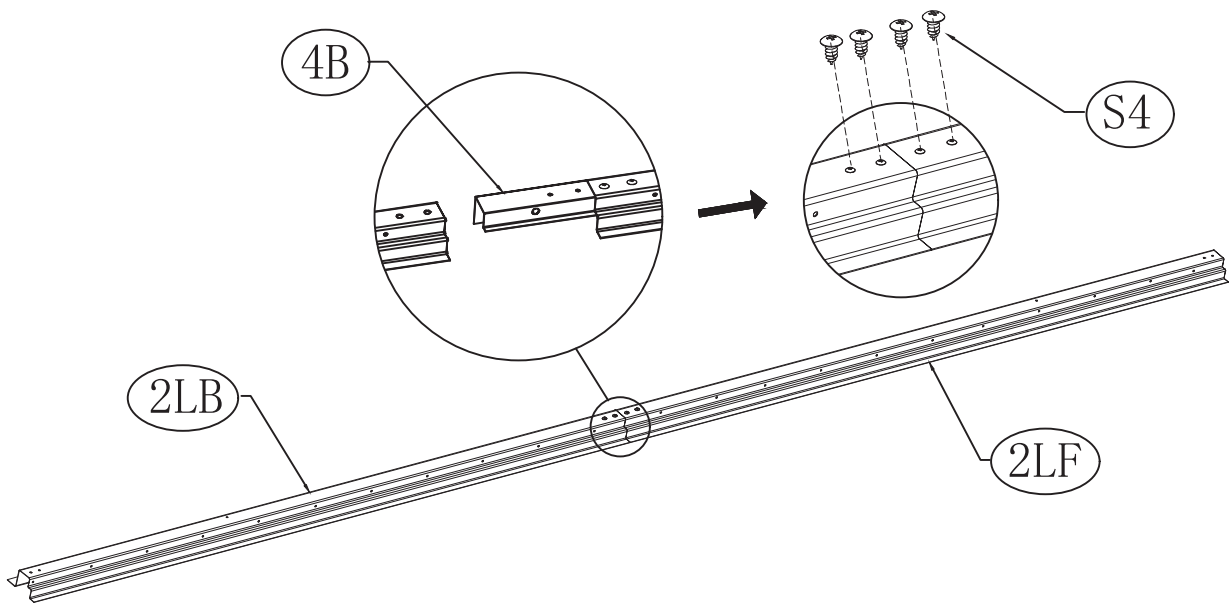
Install 2 pedals (15) to frame (1L&1R) using 8 screws (S4).

**ASSEMBLY INSTRUCTIONS**

**CAVEAT**

Note: Please tighten the bolts after each installation step.

NO.	PART.	Qty.
2LF	 1093.3mm	1
2LB	 1136.1mm	1
4B	 200mm	1
S4		4







**STEP 3**

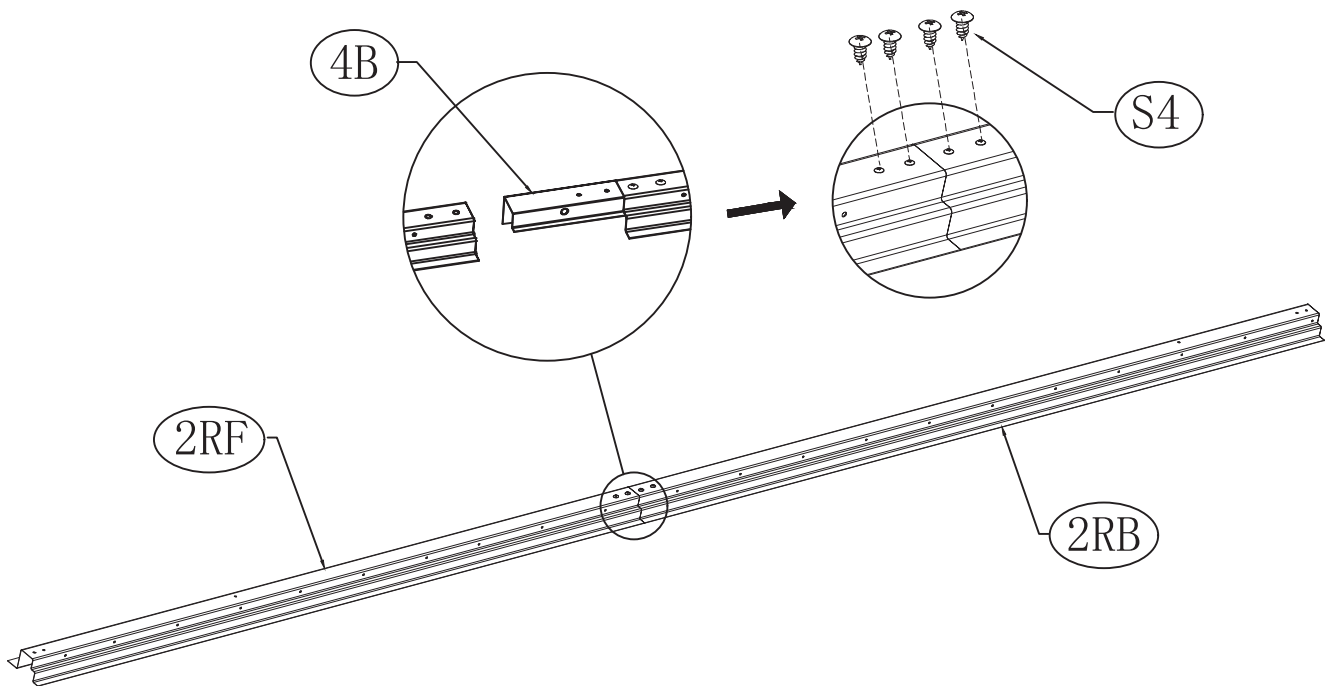
Attach frame (2LB) to frame (2LF) using 1 connector (4B) and 4 screws (S4).

ASSEMBLY INSTRUCTIONS

**CAVEAT**

Note: Please tighten the bolts after each installation step.

NO.	PART.	Qty.
2RF	 1093.3mm	1
2RB	 1136.1mm	1
4B	 200mm	1
S4		4







**STEP 4**

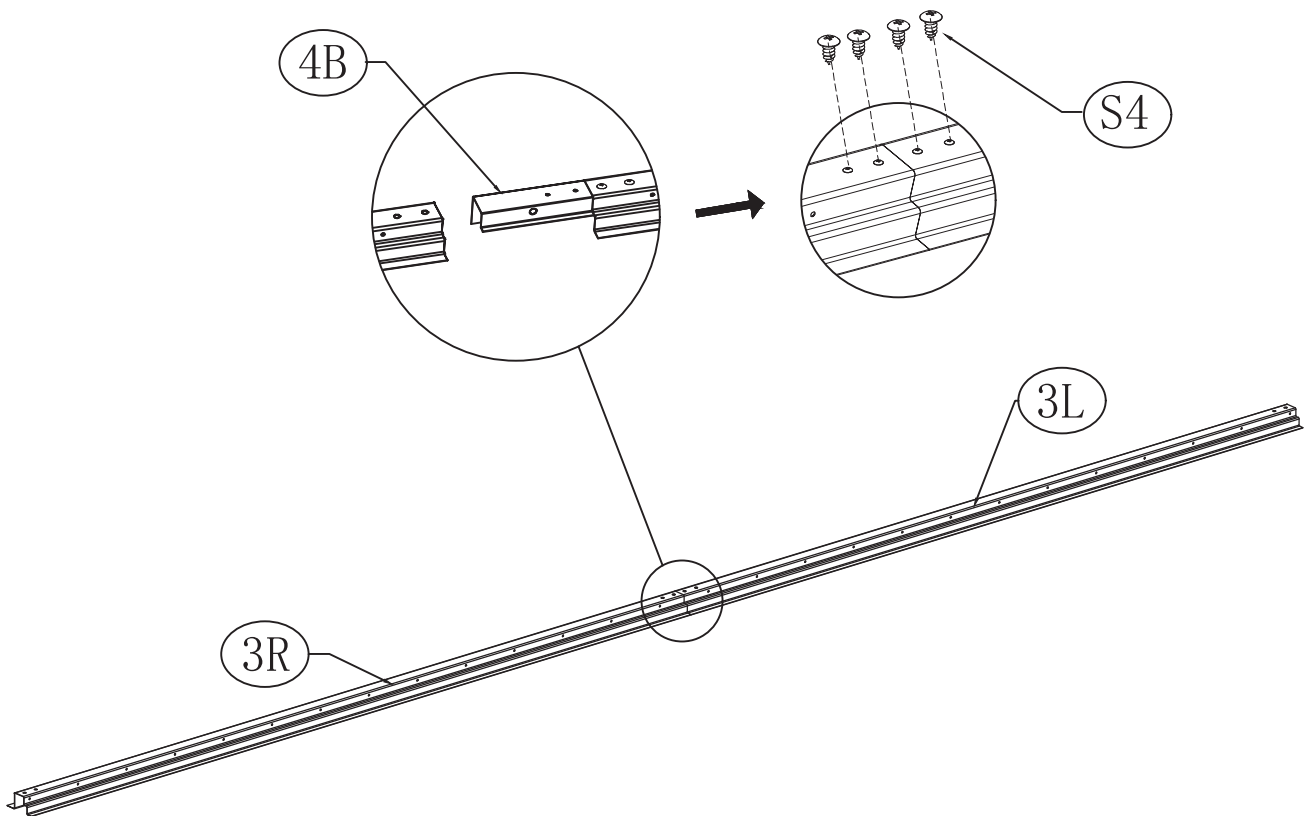
Attach frame (2RB) to frame (2RF) using 1 connector (4B) and 4 screws (S4).

ASSEMBLY INSTRUCTIONS

**CAVEAT**

Note: Please tighten the bolts after each installation step.

NO.	PART.	Qty.
3L	 1350.1mm	1
3R	 1457.1mm	1
4B	 120mm	1
S4		4



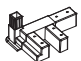
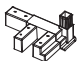


**STEP 5**

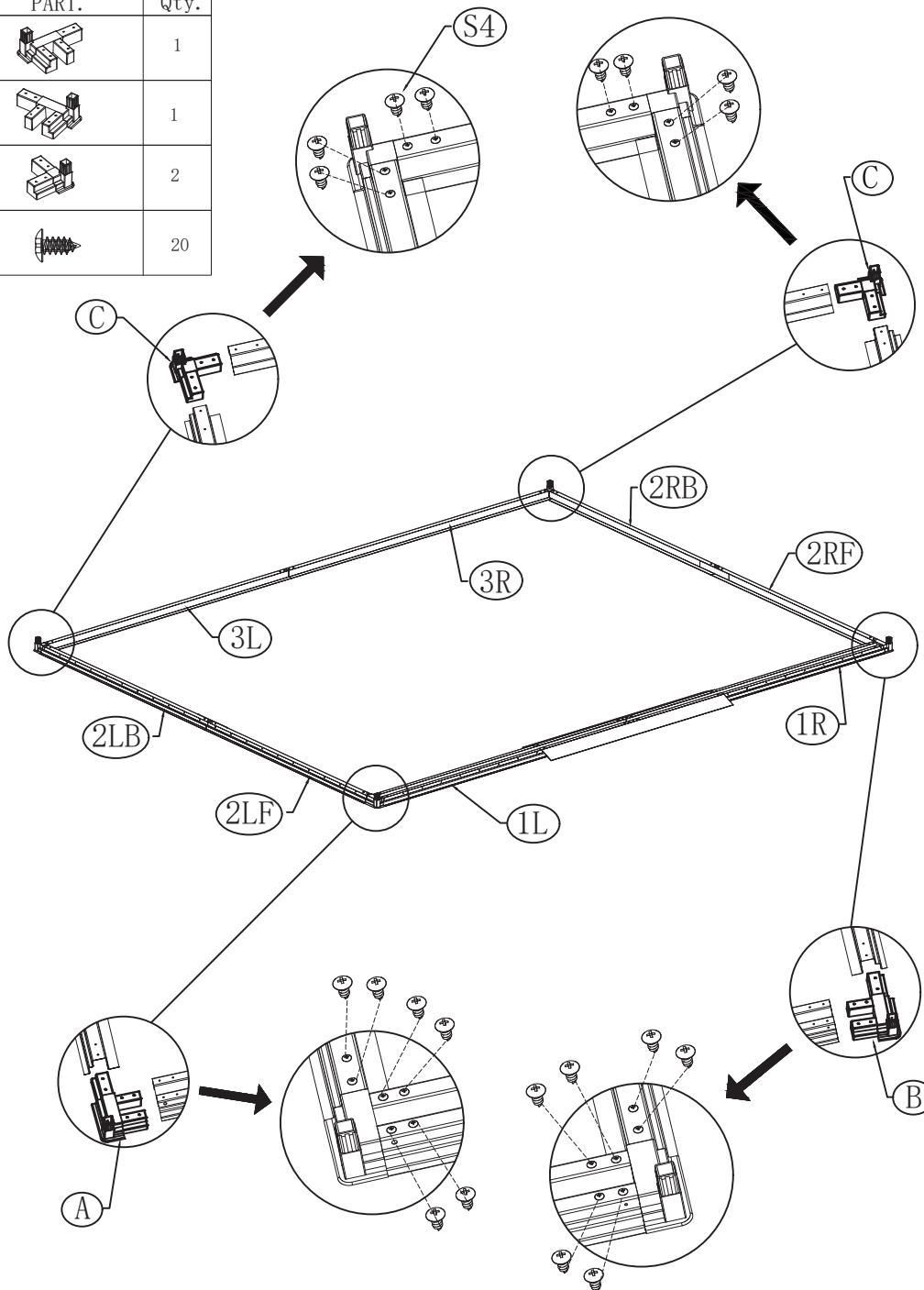
Attach frame (3R) to frame (3L) using 1 connector (4B) using 4 screws (S4).

ASSEMBLY INSTRUCTIONS

**CAVEAT**

Note: Please tighten the bolts after each installation step.

NO.	PART.	Qty.
A		1
B		1
C		2
S4		20




**STEP 6**

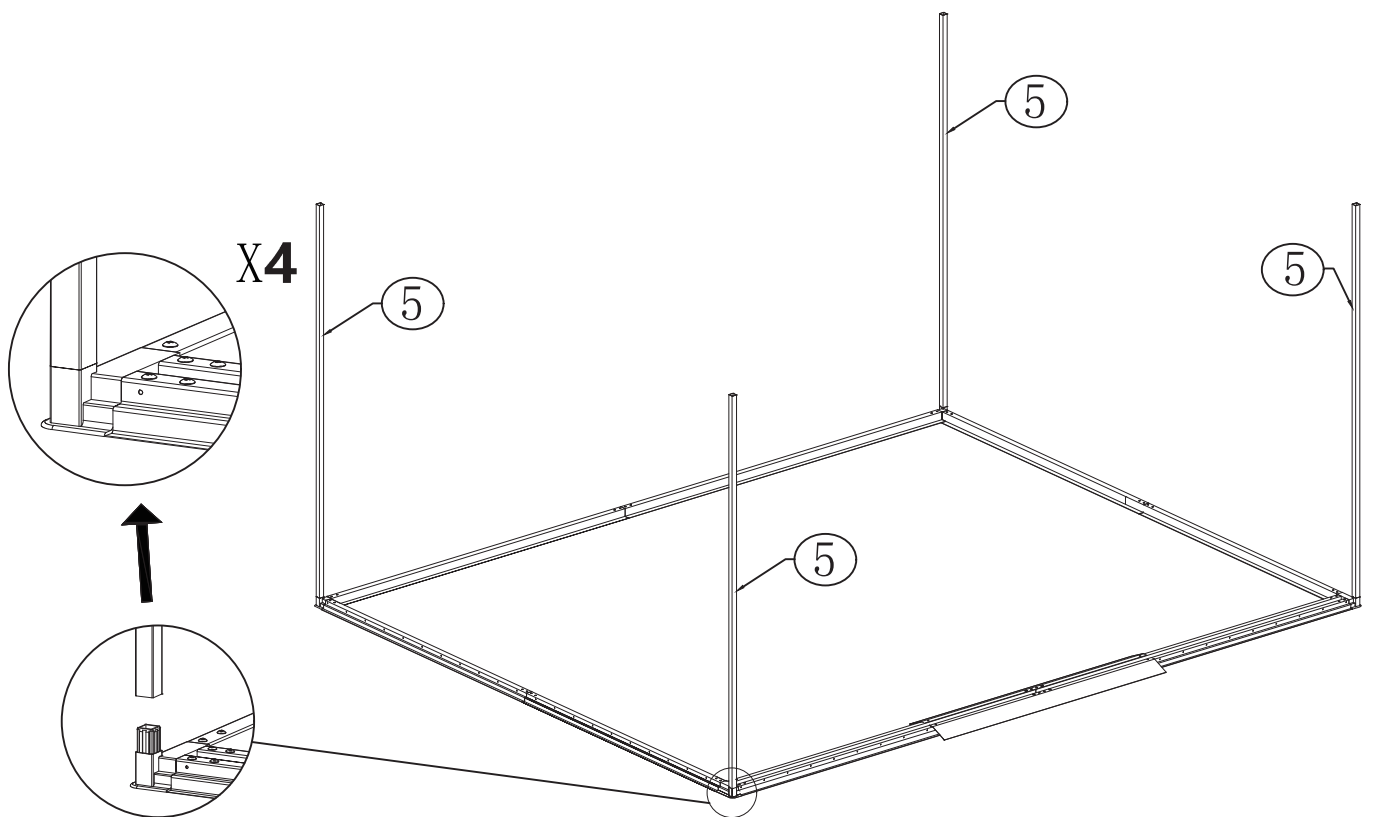
Connect the assembled frames with 1 connector (A), 1 connector (B), 2 connectors (C) and 20 screws (S4).

ASSEMBLY INSTRUCTIONS

 **CAVEAT**

Note: Please tighten the bolts after each installation step.

NO.	PART.	Qty.
5	 1510mm	4



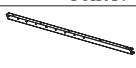

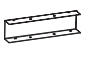
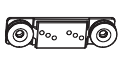

**STEP 7**

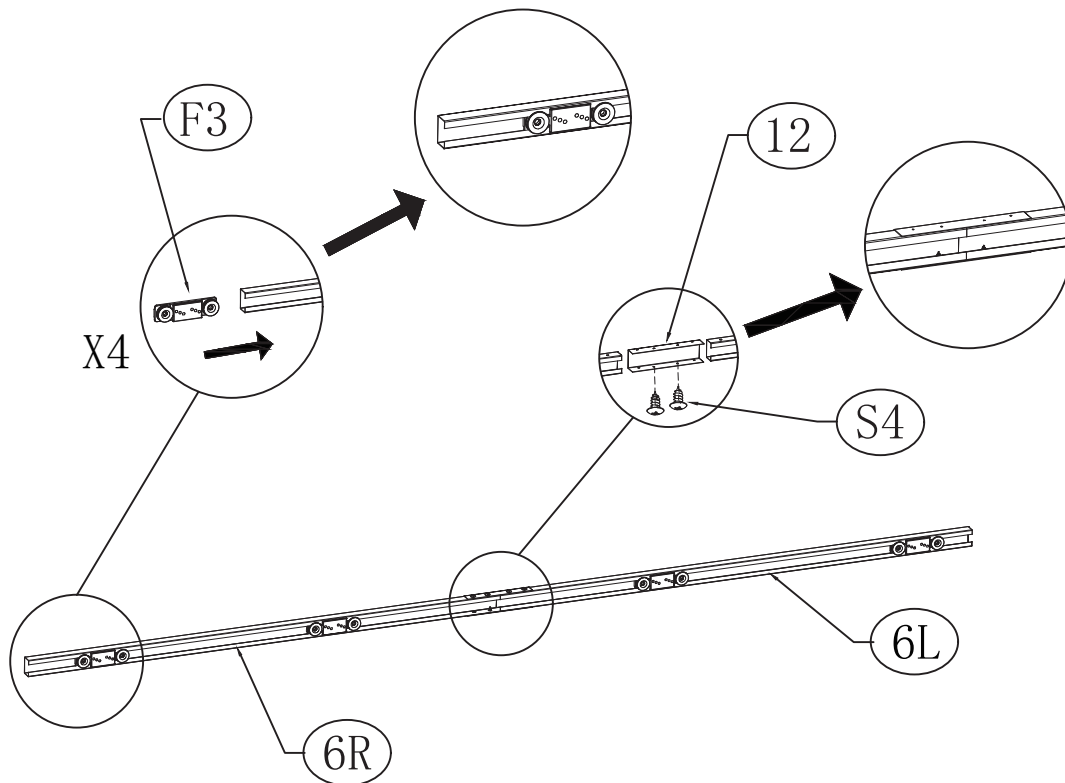
Insert support rods (5) at the four corners.

ASSEMBLY INSTRUCTIONS

**CAVEAT**

Note: Please tighten the bolts after each installation step.

NO.	PART.	Qty.
6L	 1410.2mm	1
6R	 1410.2mm	1
12	 120mm	1
F3		4
S4		2





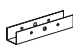


**STEP 8**

Attach frame (6L) to frame (6R) using 1 connector (12), 4 connectors (F3) and 2 screws (S4).

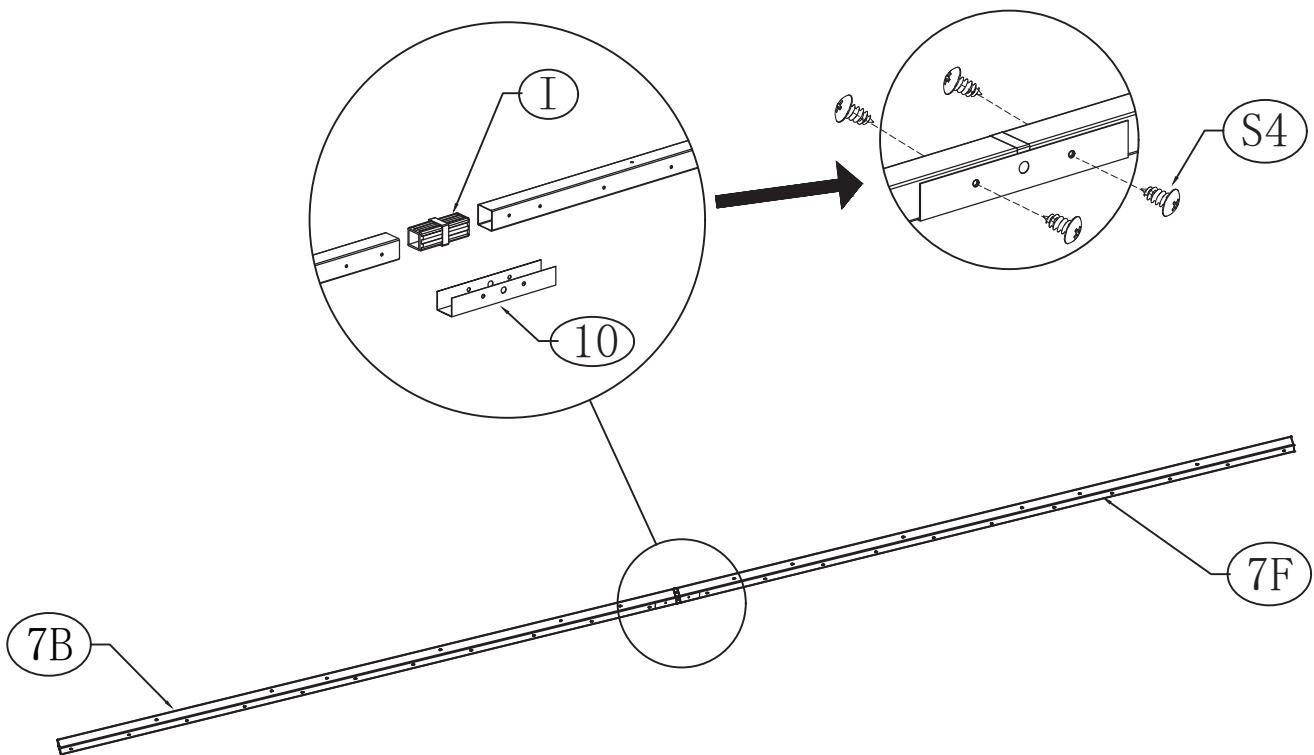
ASSEMBLY INSTRUCTIONS

**CAVEAT**

Note: Please tighten the bolts after each installation step.

NO.	PART.	Qty.
7F	 1139, 2mm	2
7B	 1139, 2mm	2
10	 100mm	2
I		2
S4		8

X2





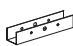


**STEP 9**

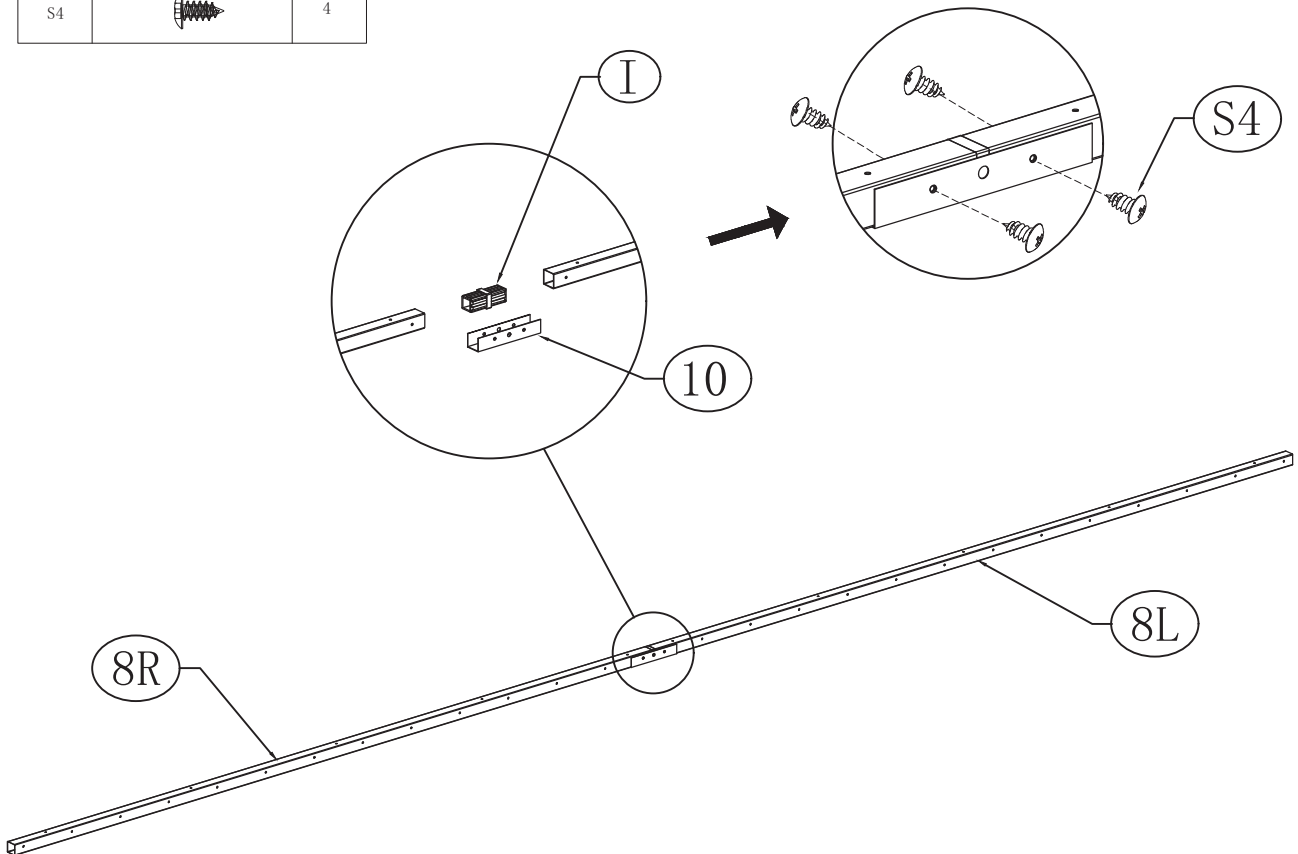
Attach frame (7B) to frame (7F) using 2 connectors (10), 2 connectors (I) and 8 screws (S4).

ASSEMBLY INSTRUCTIONS

**CAVEAT**

Note: Please tighten the bolts after each installation step.

NO.	PART.	Qty.
8L	 1406.7mm	1
8R	 1406.7mm	1
10	 100mm	1
I		1
S4		4






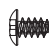
**STEP 10**

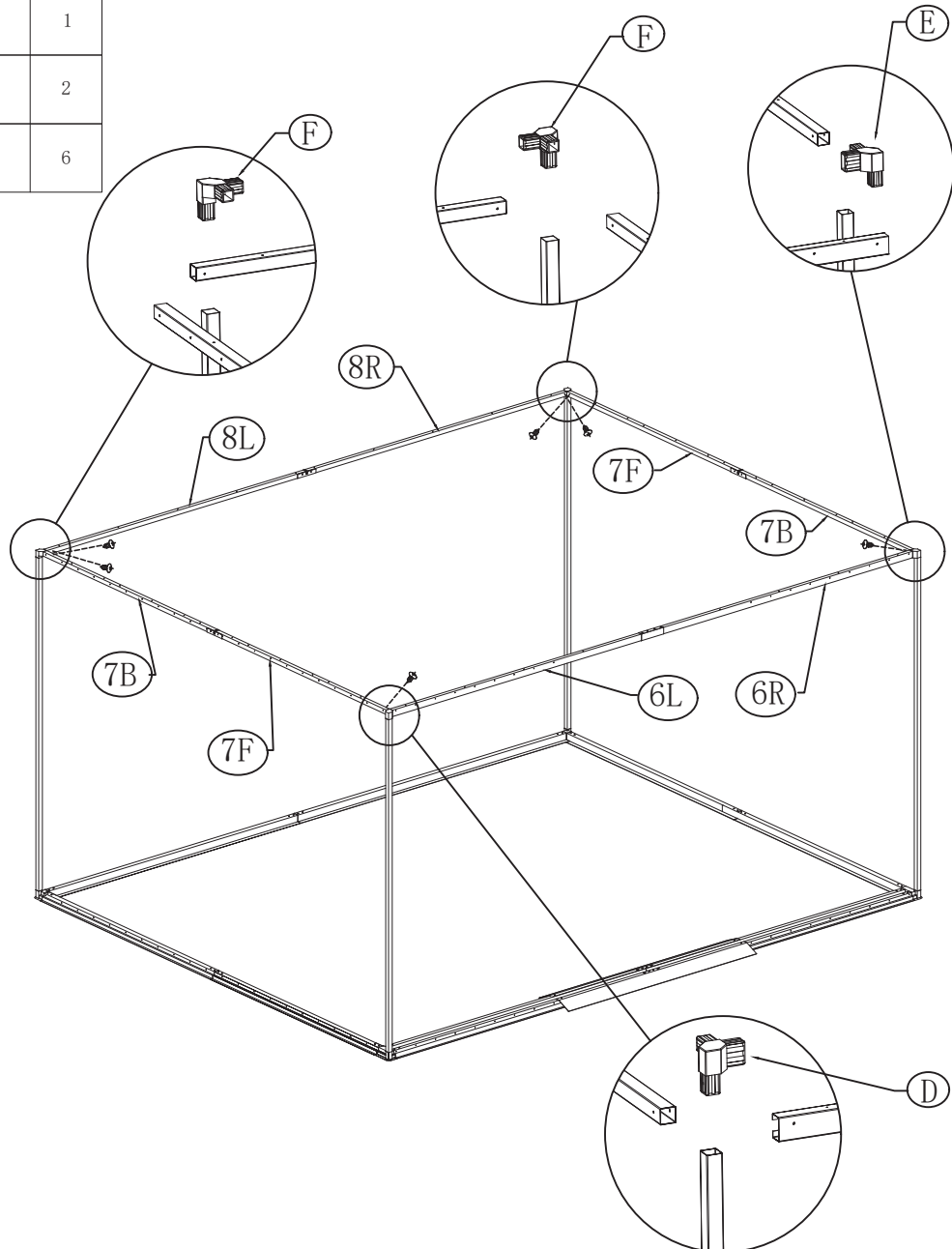
Attach frame (8R) to frame (8L) using 1 connector (10), 1 connector (I) and 4 screws (S4).

ASSEMBLY INSTRUCTIONS

**CAVEAT**

Note: Please tighten the bolts after each installation step.

NO.	PART.	Qty.
D		1
E		1
F		2
S4		6



**STEP 11**



Connect the assembled frames to the main frame with 1 connector (D), 1 connector (E), 2 connectors (F) and 6 screws (S4).

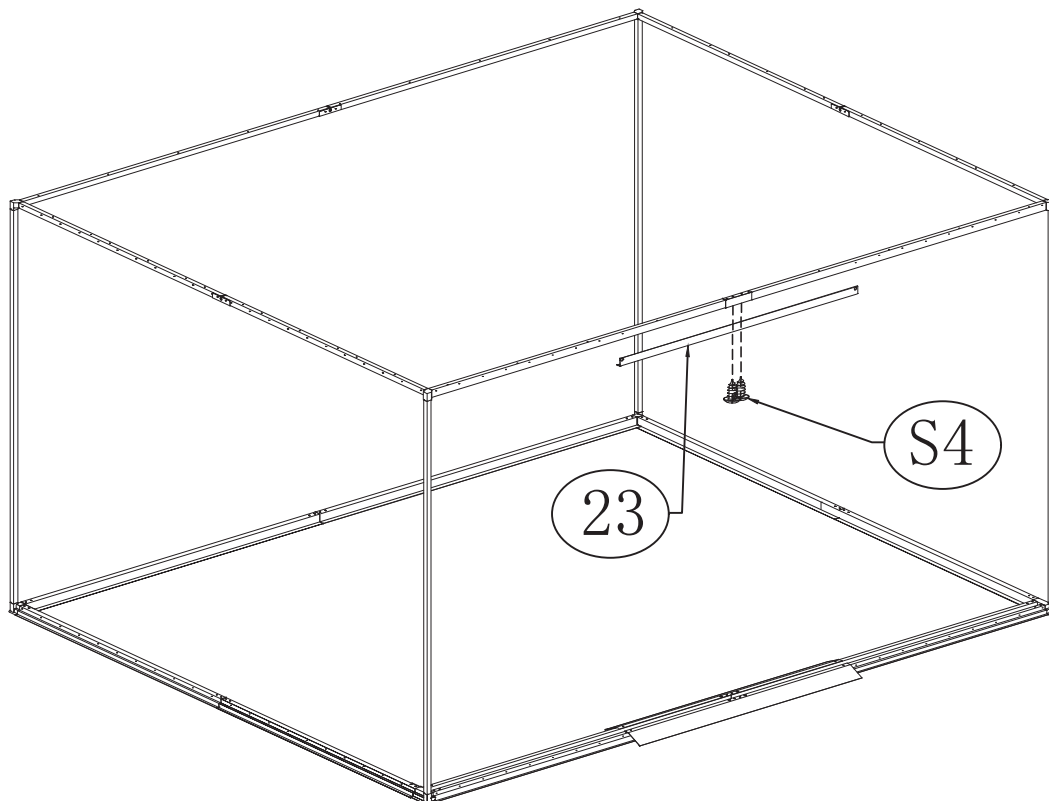
**ASSEMBLY INSTRUCTIONS**



**CAVEAT**

Note: Please tighten the bolts after each installation step.

NO.	PART.	Qty.
23	 1090mm	1
S4		2



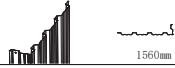


**STEP 12**

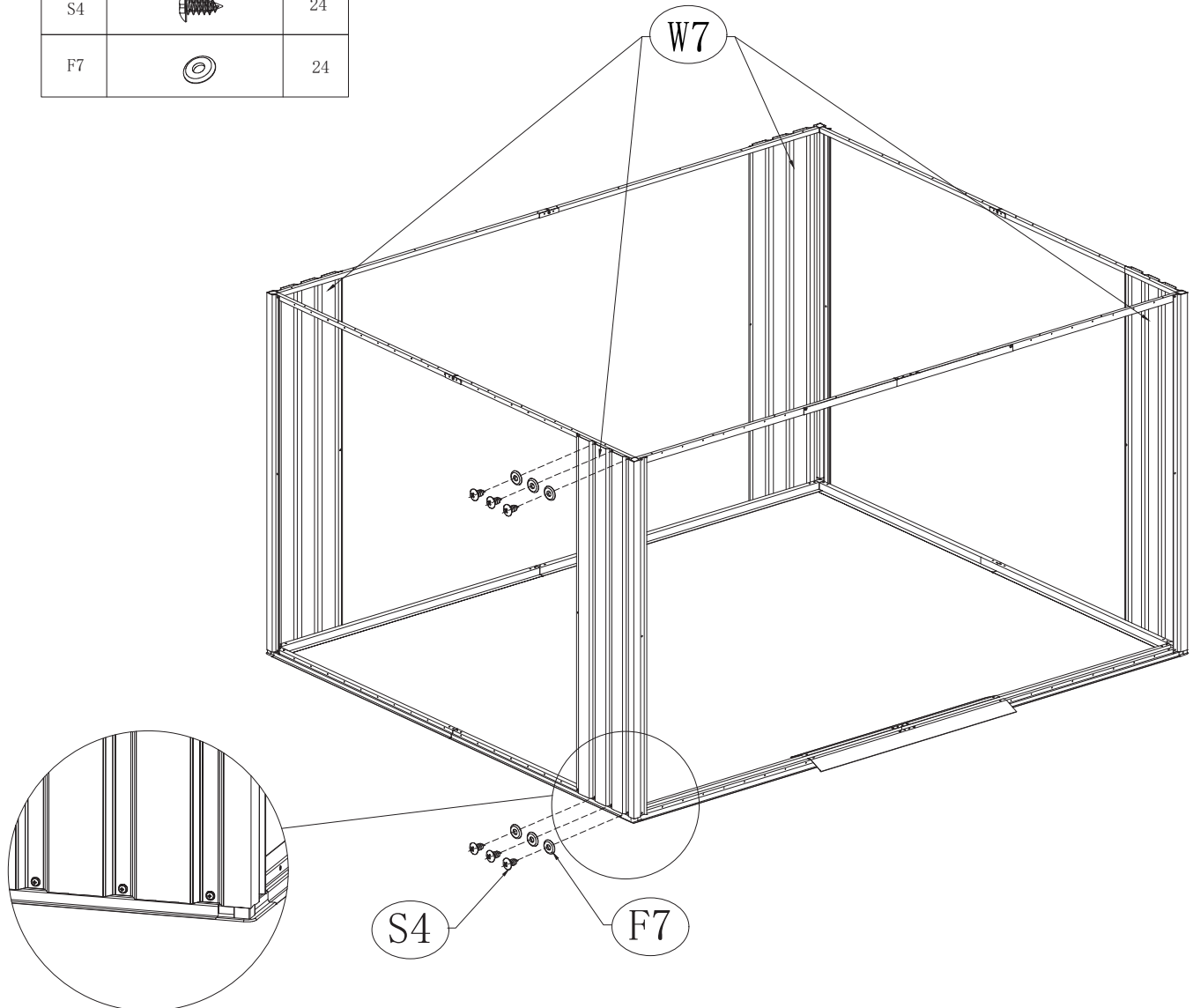
Install frame (23) to the main frame with 2 screws (S4).

ASSEMBLY INSTRUCTIONS

 **CAVEAT**

Note: Please tighten the bolts after each installation step.

NO.	PART.	Qty.
W7	 1560mm	4
S4		24
F7		24



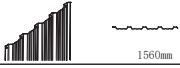




**STEP 13**

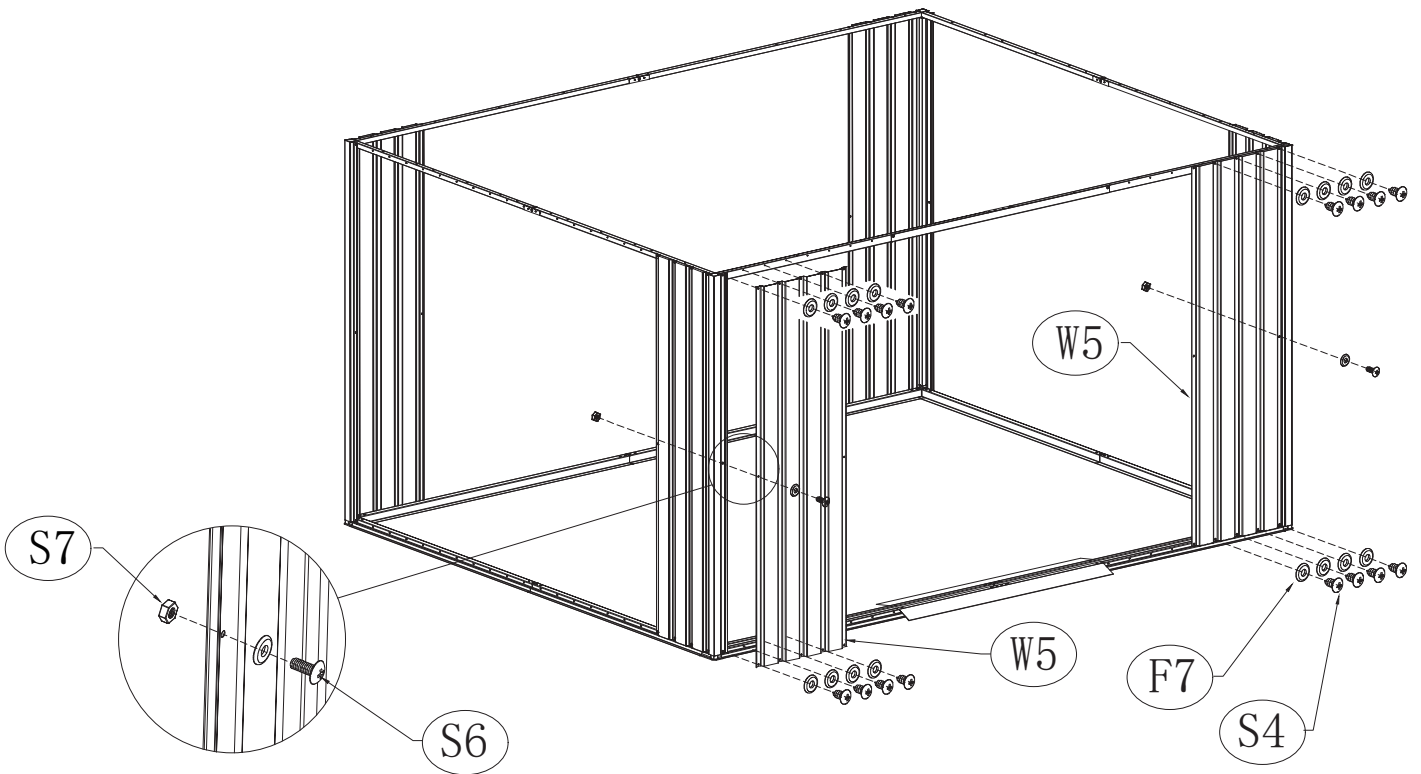
Install 4 frames (W7) using 24 screws (S4) and 24 washers (F7).

ASSEMBLY INSTRUCTIONS

**CAVEAT**

Note: Please tighten the bolts after each installation step.

NO.	PART.	Qty.
W5	 1560mm	2
S4		16
S6		2
S7		2
F7		18





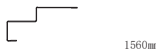



**STEP 14**

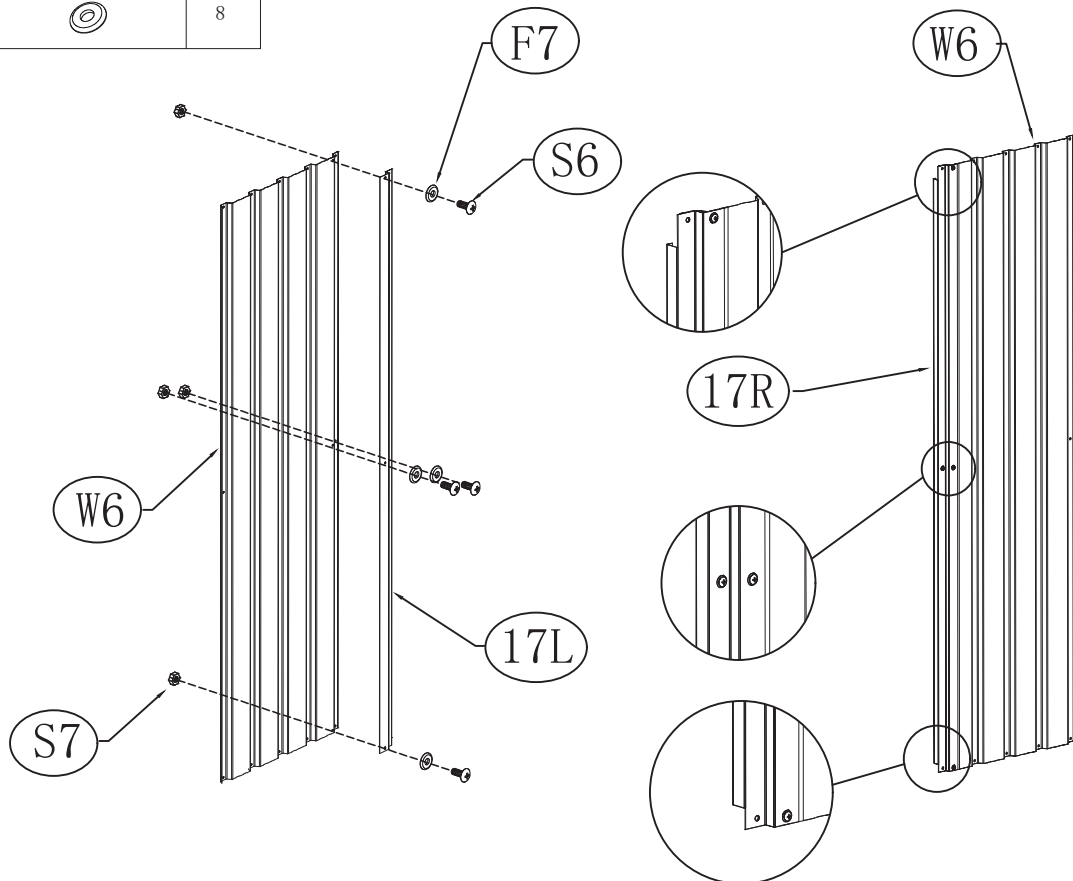
Install 2 frames (W5) using 16 screws (S4), 2 bolts (S6), 2 nuts (S7) and 18 washers (F7).

ASSEMBLY INSTRUCTIONS

**CAVEAT**

Note: Please tighten the bolts after each installation step.

NO.	PART.	Qty.
W6	 1560mm	2
17L	 1560mm	1
17R	 1560mm	1
S6		8
S7		8
F7		8







**STEP 15**

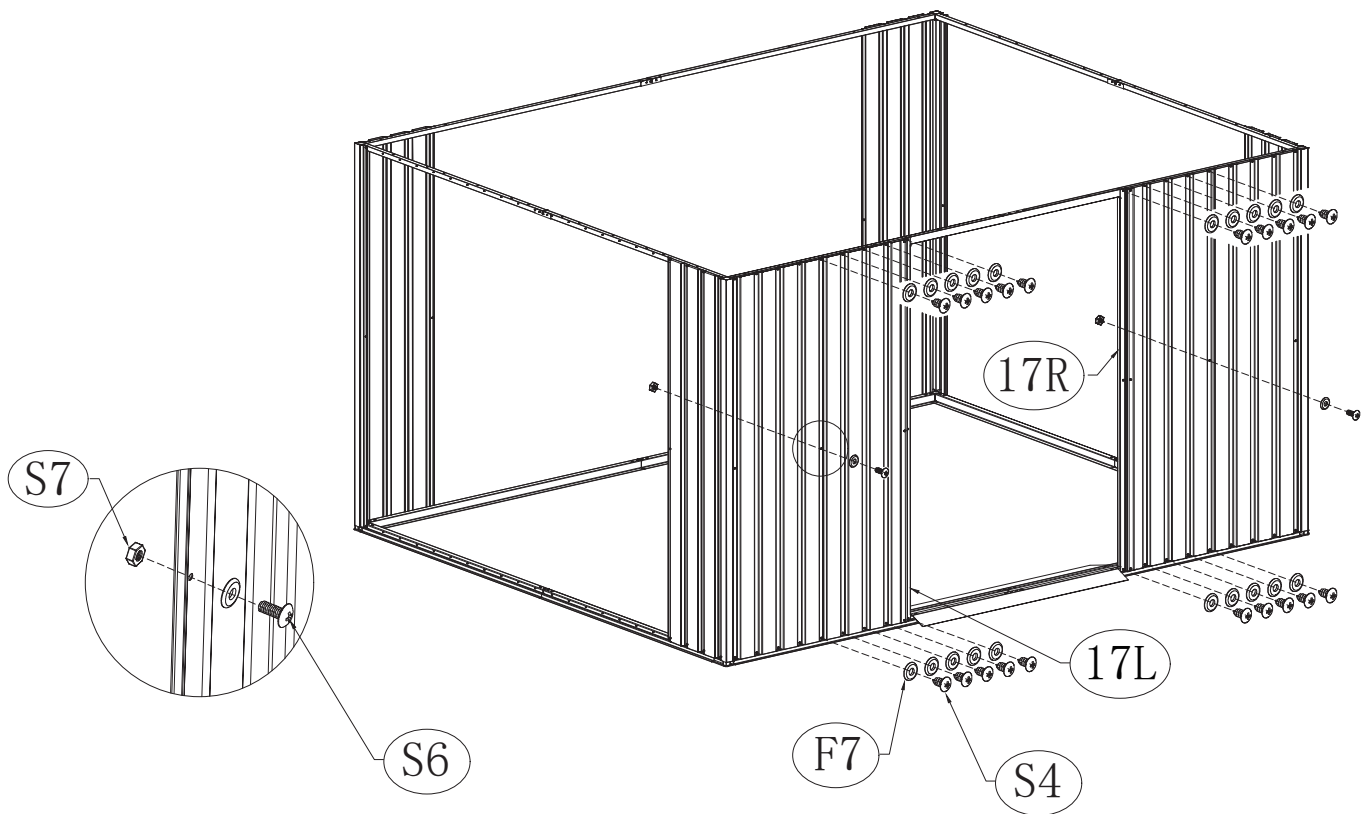
Connect 2 frames (W6) to frame (17L) and frame (17R) respectively with 8 bolts (S6), 8 nuts (S7) and 8 washers (F7).

ASSEMBLY INSTRUCTIONS

**CAVEAT**

Note: Please tighten the bolts after each installation step.

NO.	PART.	Qty.
S4		20
S6		2
S7		2
F7		22



**STEP 16**







Connect the frame connected in the previous step to the main frame using 20 screws (S4), 2 bolts (S6), 2 nuts (S7) and 22 washers (F7).

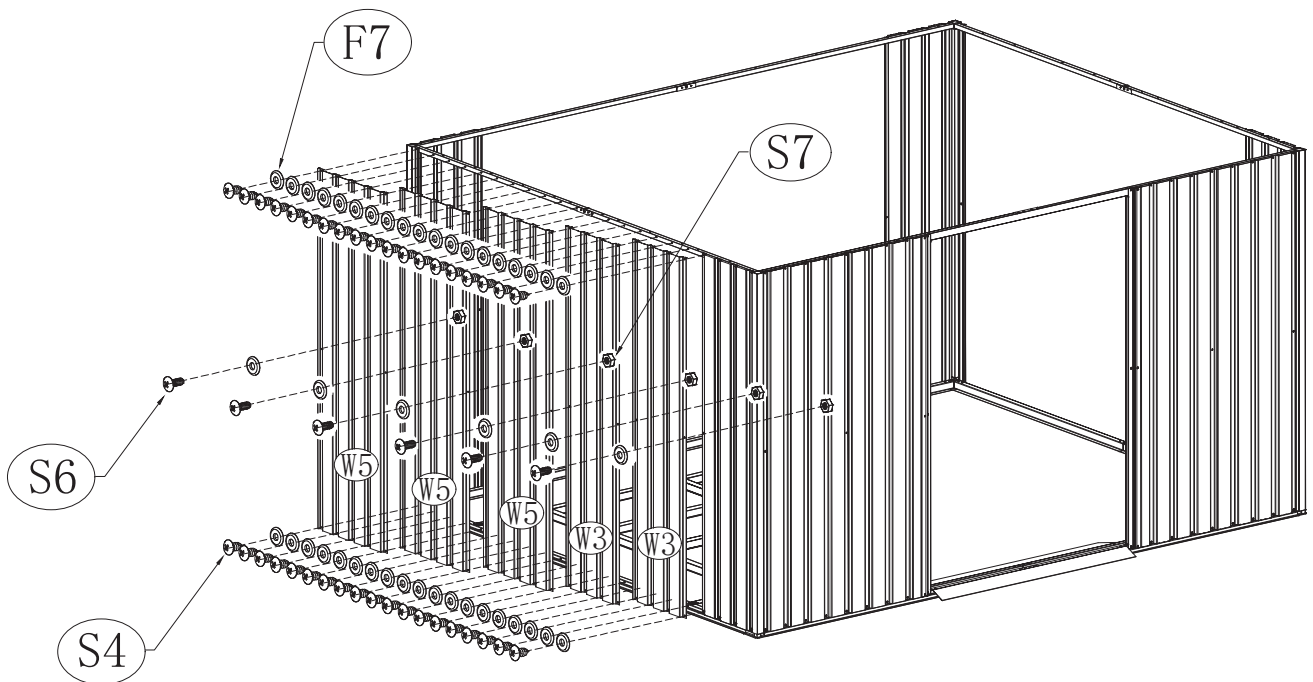
ASSEMBLY INSTRUCTIONS



**CAVEAT**

Note: Please tighten the bolts after each installation step.

NO.	PART.	Qty.
W3	 1560mm	2
W5	 1560mm	3
S4		38
S6		6
S7		6
F7		44









**STEP 17**

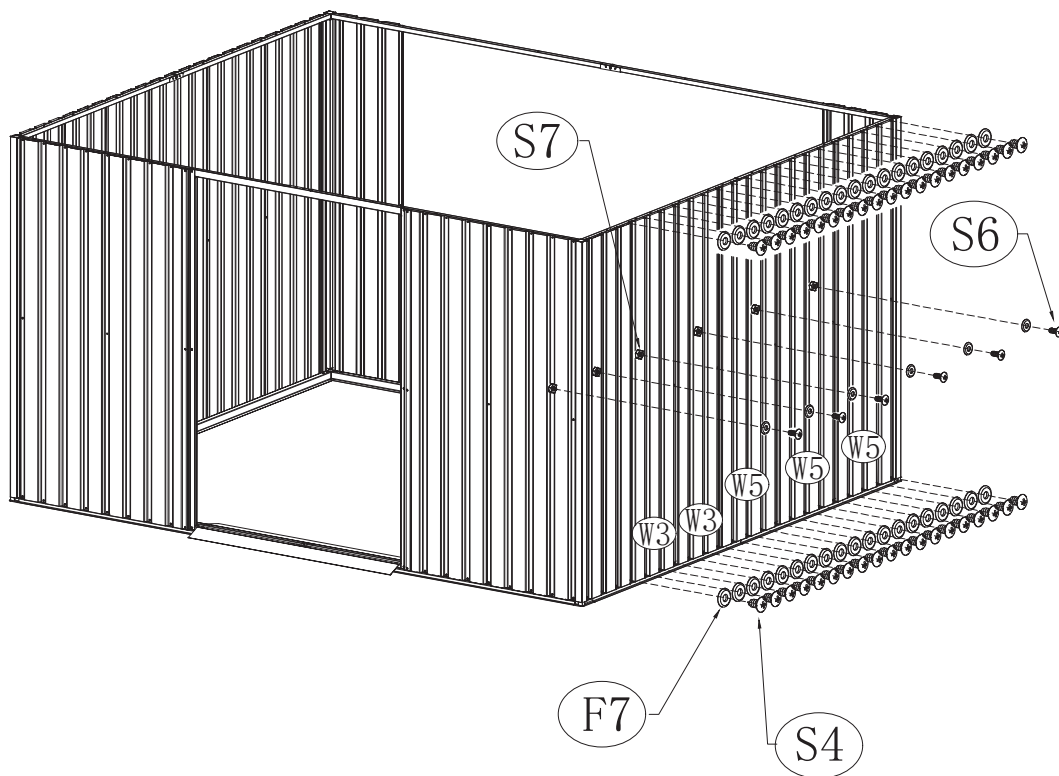
Attach 2 frames (W3) and 3 frames (W5) to the main frame using 38 screws (S4), 6 bolts (S6), 6 nuts (S7) and 44 washers (F7).

ASSEMBLY INSTRUCTIONS

**CAVEAT**

Note: Please tighten the bolts after each installation step.

NO.	PART.	Qty.
W3	 1560mm	2
W5	 1560mm	3
S4		38
S6		6
S7		6
F7		44



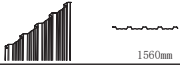




**STEP 18**

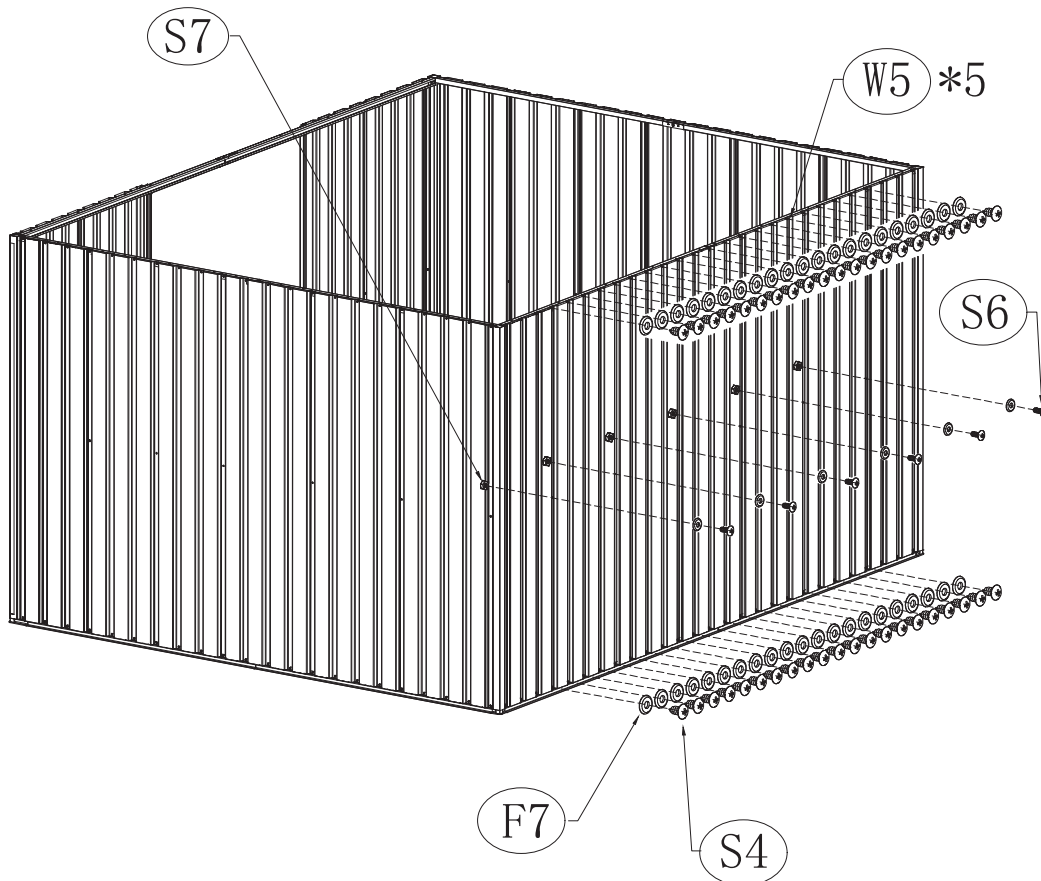
Install frames (W3&W5) on the other side in the same way.

ASSEMBLY INSTRUCTIONS

**CAVEAT**

Note: Please tighten the bolts after each installation step.

NO.	PART.	Qty.
W5	 1560mm	5
S4		42
S6		6
S7		6
F7		48











**STEP 19**

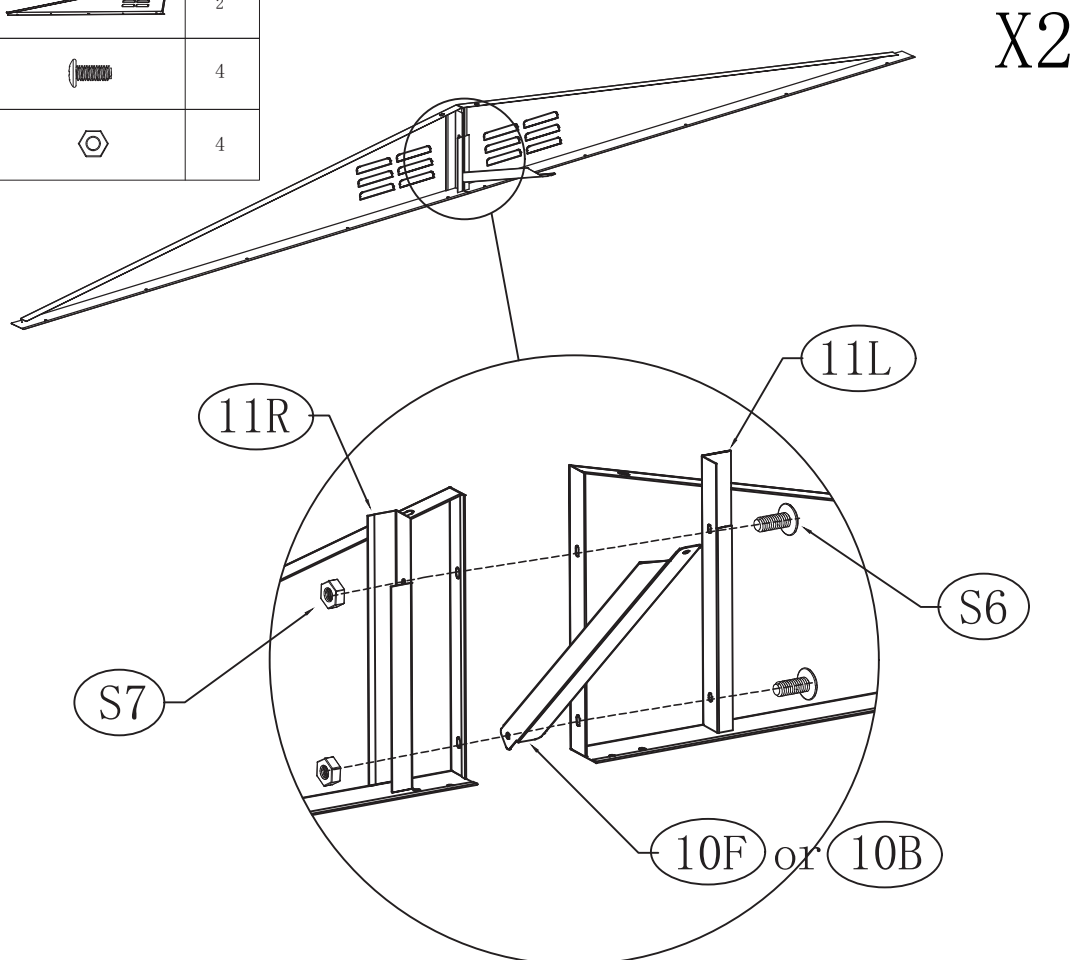
Install 5 frames W5 on the rear side using 42 screws (S4), 6 bolts (S6), 6 nuts (S7) and 48 washers (F7).

ASSEMBLY INSTRUCTIONS

**CAVEAT**

Note: Please tighten the bolts after each installation step.

NO.	PART.	Qty.
10F	 405mm	1
10B	 405mm	1
11L	 320mm	2
11R	 320mm	2
21L		2
21R		2
S6		4
S7		4




**STEP 20**

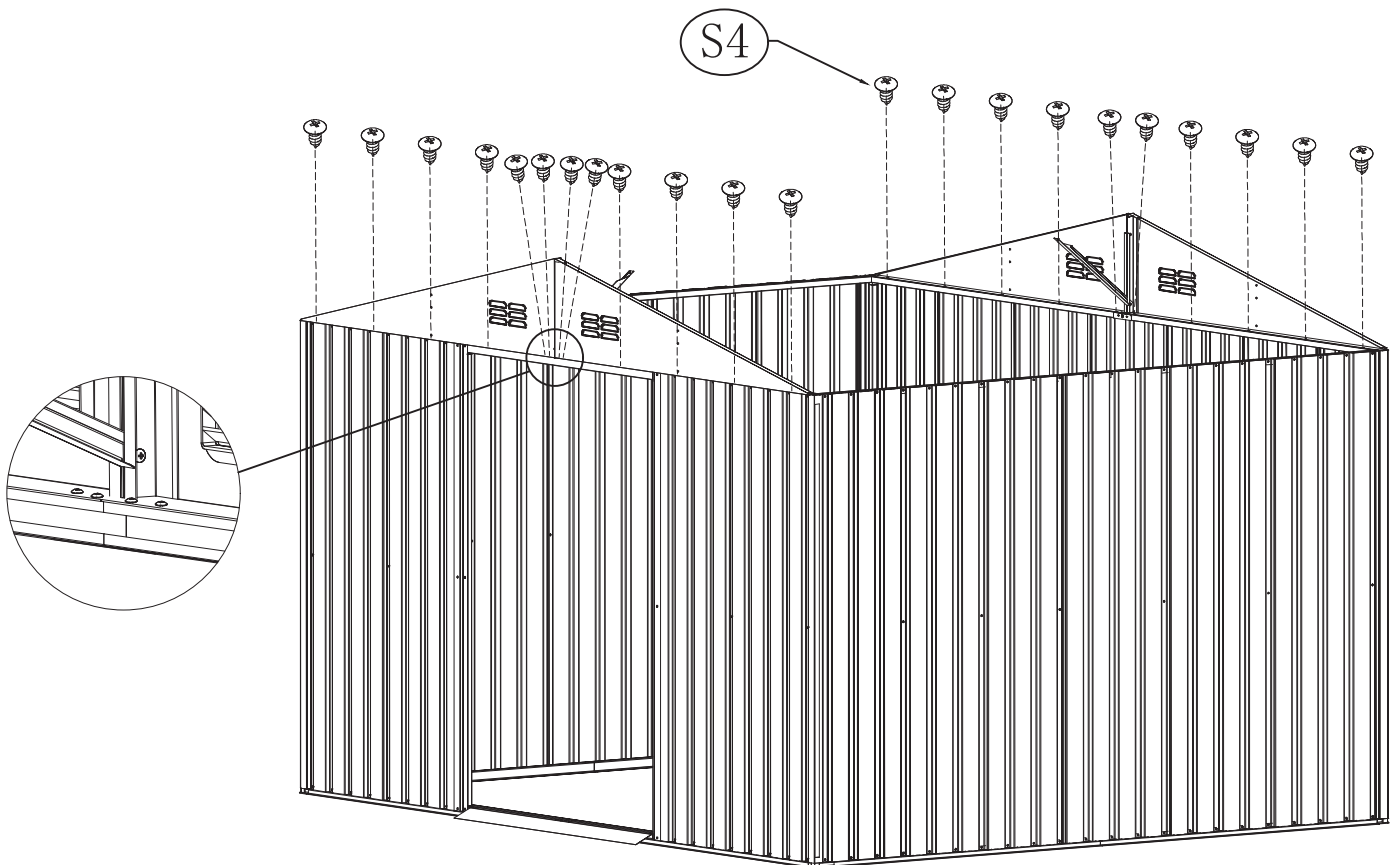
Attach windows (21R&21L) to frames (11R&11L) with connector (10F or 10B) using 4 bolts (S6) and 4 nuts (S7).

ASSEMBLY INSTRUCTIONS

 **CAVEAT**

Note: Please tighten the bolts after each installation step.

NO.	PART.	Qty.
S4		22






**STEP 21**

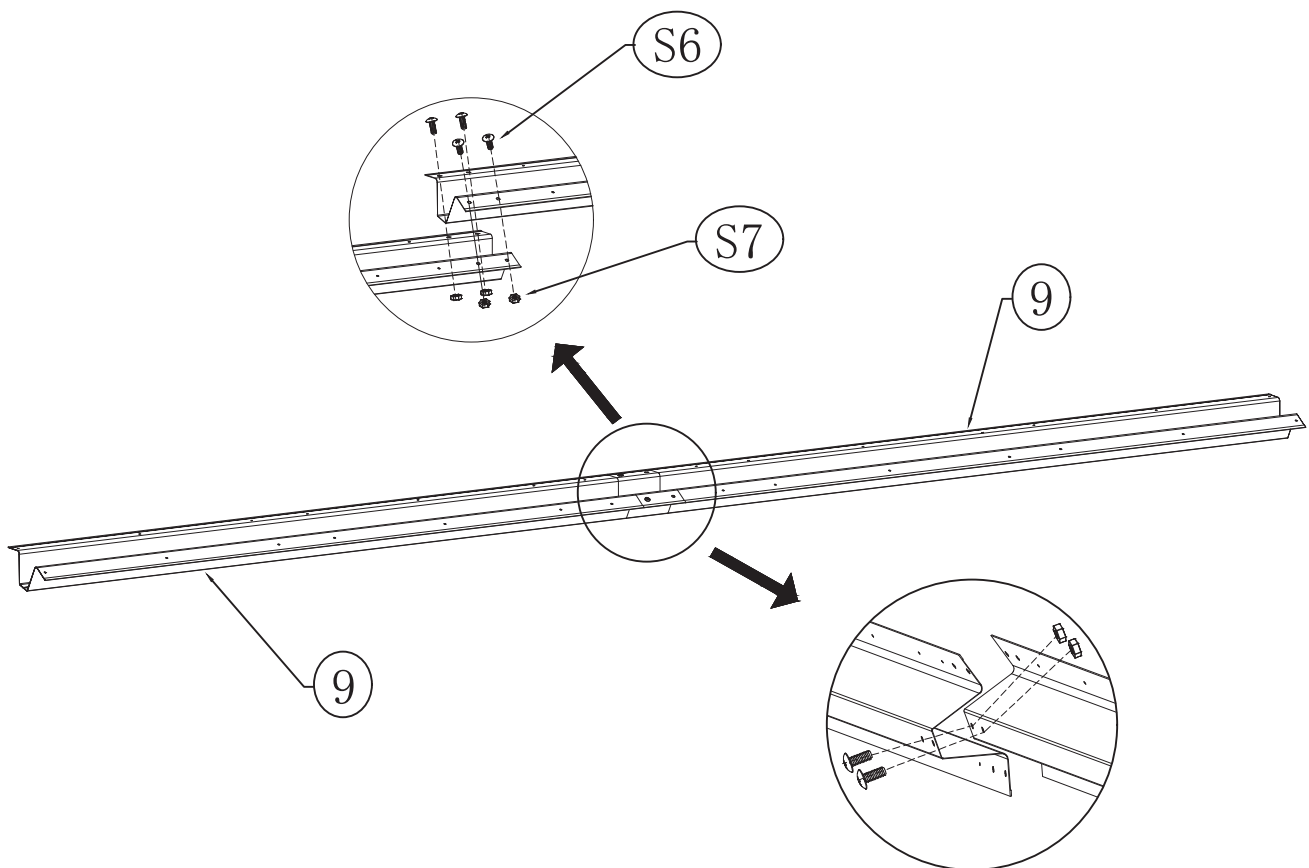
Install the spliced windows onto the main frame using 22 screws (S4).

ASSEMBLY INSTRUCTIONS

**CAVEAT**

Note: Please tighten the bolts after each installation step.

NO.	PART.	Qty.
9	 1226mm	2
S6		6
S7		6




**STEP 22**

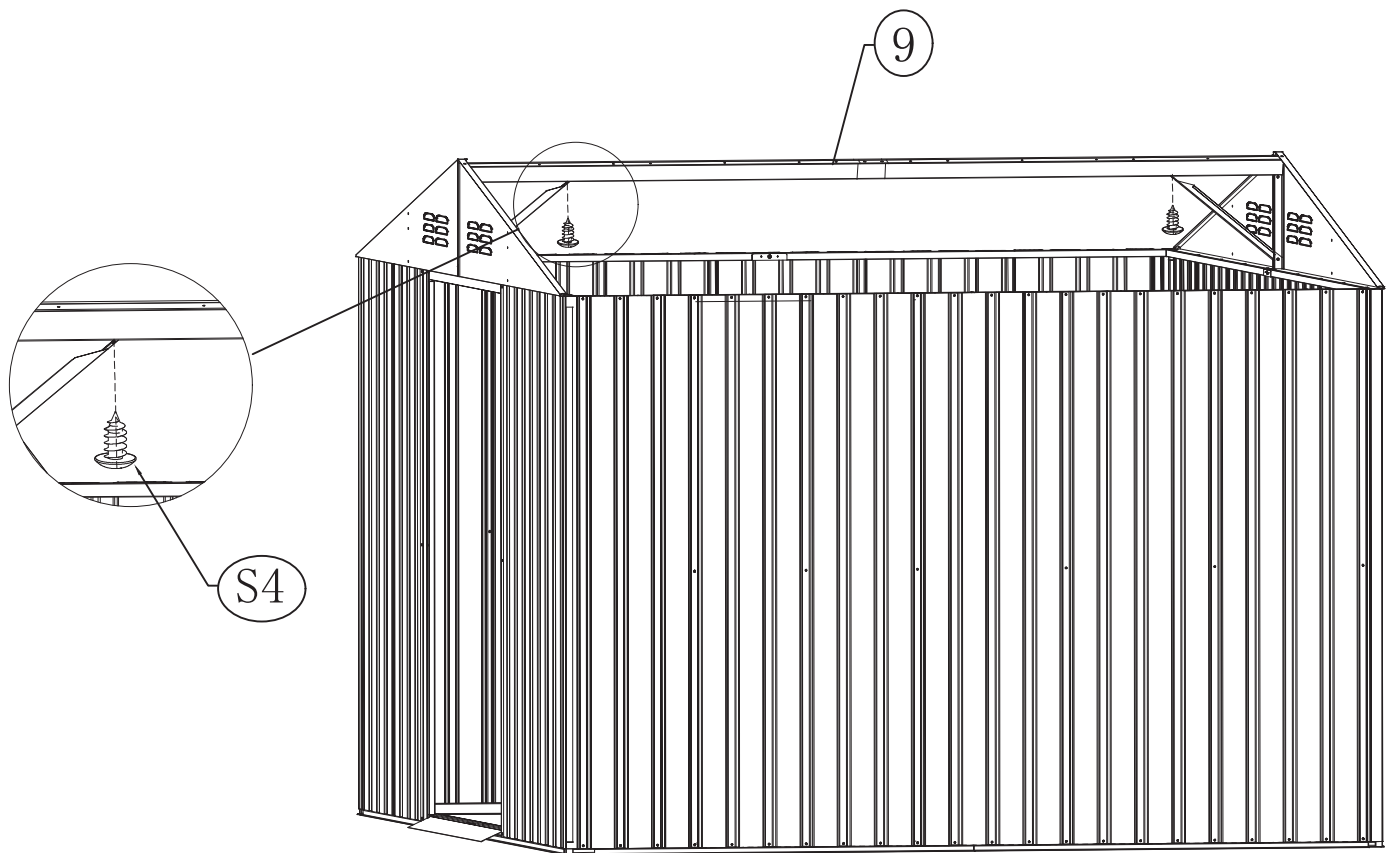
Connect 2 beams (9) with 6 bolts (S6) and 6 nuts (S7).

ASSEMBLY INSTRUCTIONS

**!** CAVEAT

Note: Please tighten the bolts after each installation step.

NO.	PART.	Qty.
S4		2





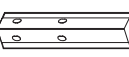


**STEP 23**

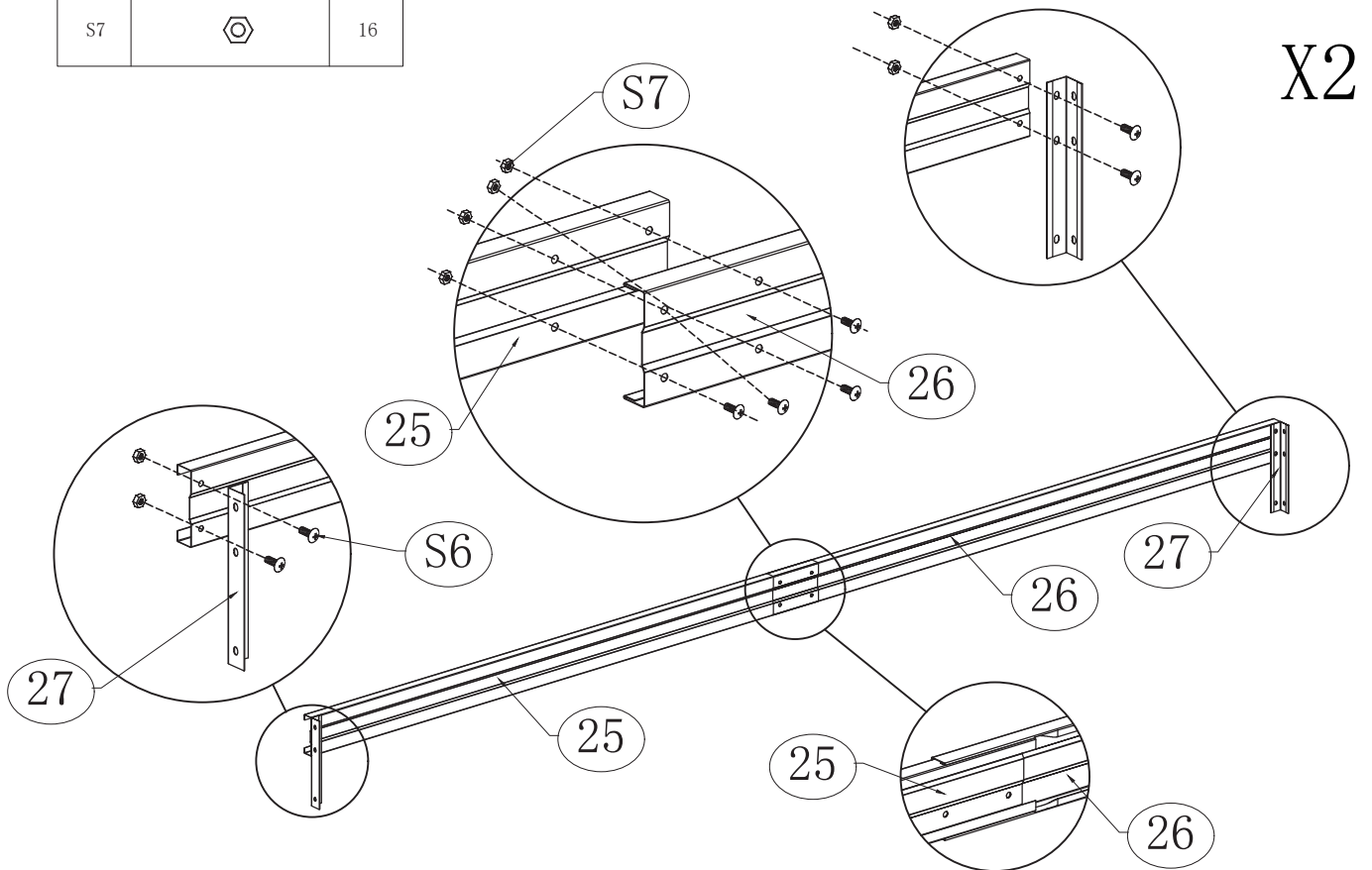
Attach the installed beams (9) to windows using 2 screws (S4).

ASSEMBLY INSTRUCTIONS

**CAVEAT**

Note: Please tighten the bolts after each installation step.

NO.	PART.	Qty.
25	 1236mm	2
26	 1236mm	2
27	 165mm	4
S6		16
S7		16






**STEP 24**

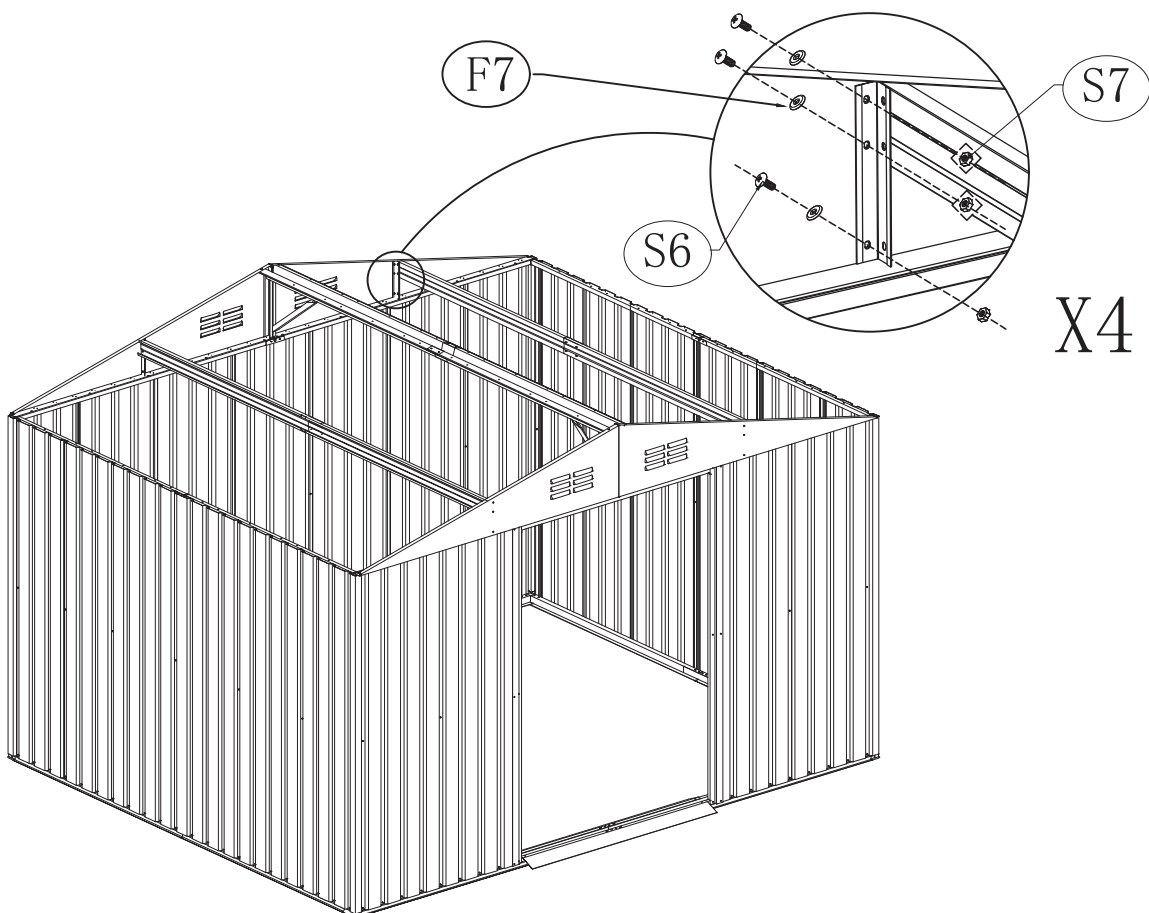
Attach beam (25) to beam (26) using 2 connectors (27), 8 bolts (S6) and 8 nuts (S7). Install twice.

ASSEMBLY INSTRUCTIONS

 **CAVEAT**

Note: Please tighten the bolts after each installation step.

NO.	PART.	Qty.
S6		12
S7		12
F7		12






**STEP 25**

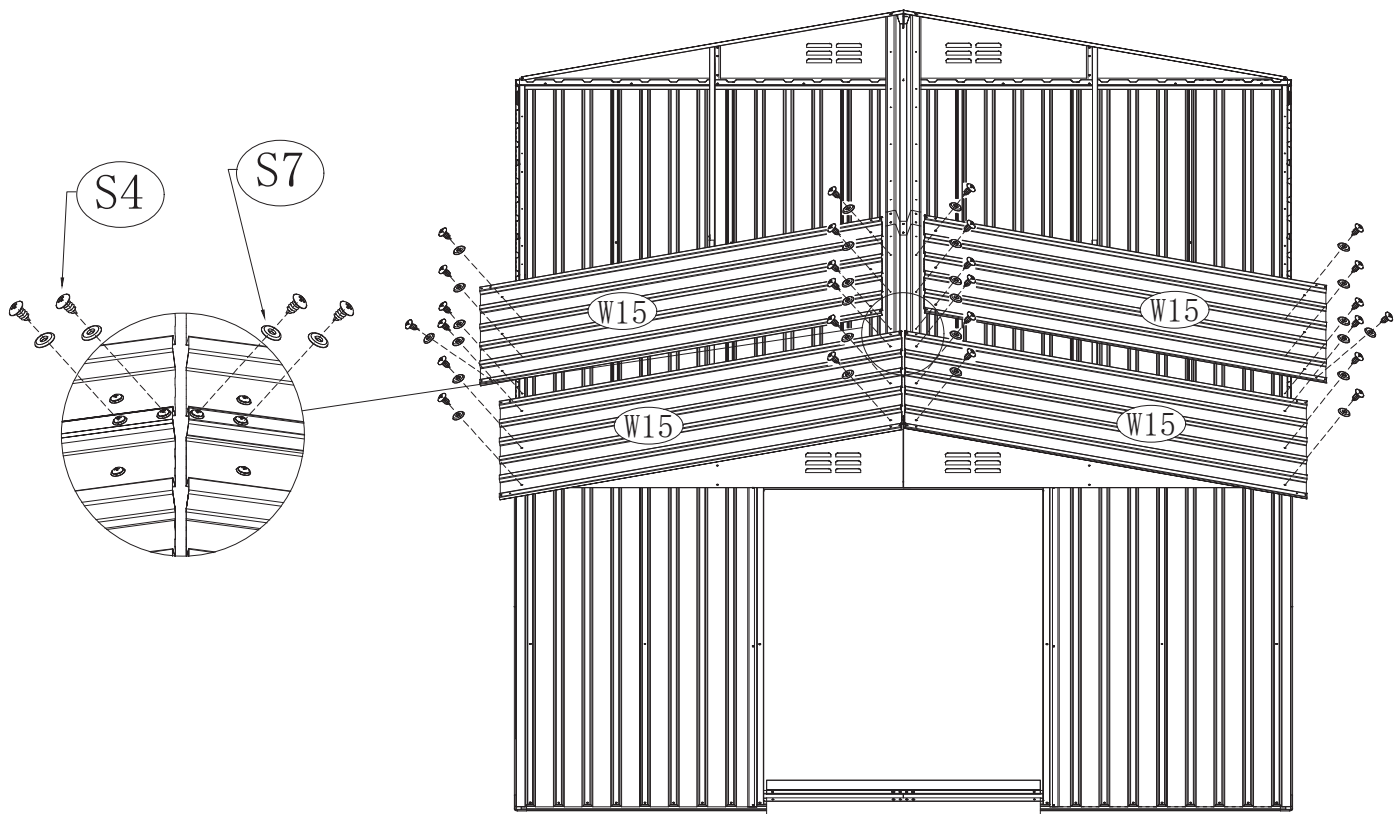
Install the connected beams onto the roof using 12 bolts (S6), 12 nuts (S7) and 12 washers (F7).

ASSEMBLY INSTRUCTIONS

**CAVEAT**

Note: Please tighten the bolts after each installation step.

NO.	PART.	Qty.
W15	 1535mm	4
S4		30
F7		30







**STEP 26**

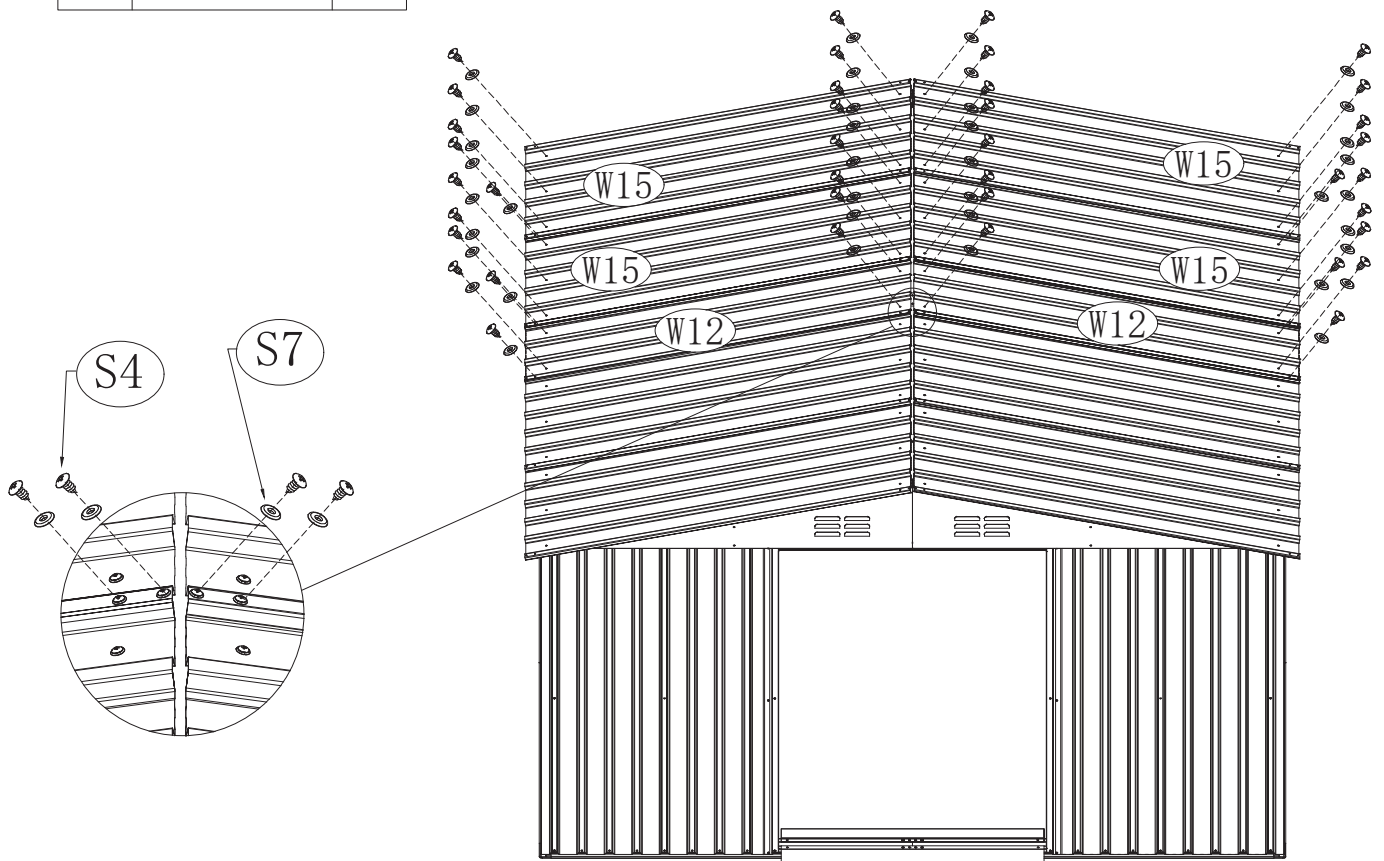
Install 4 roof frames (W15) using 30 screws (S4) and 30 washers (F7).

ASSEMBLY INSTRUCTIONS

**CAVEAT**

Note: Please tighten the bolts after each installation step.

NO.	PART.	Qty.
W12	 1535mm	2
W15	 1535mm	4
S4		50
F7		50




**STEP 27**

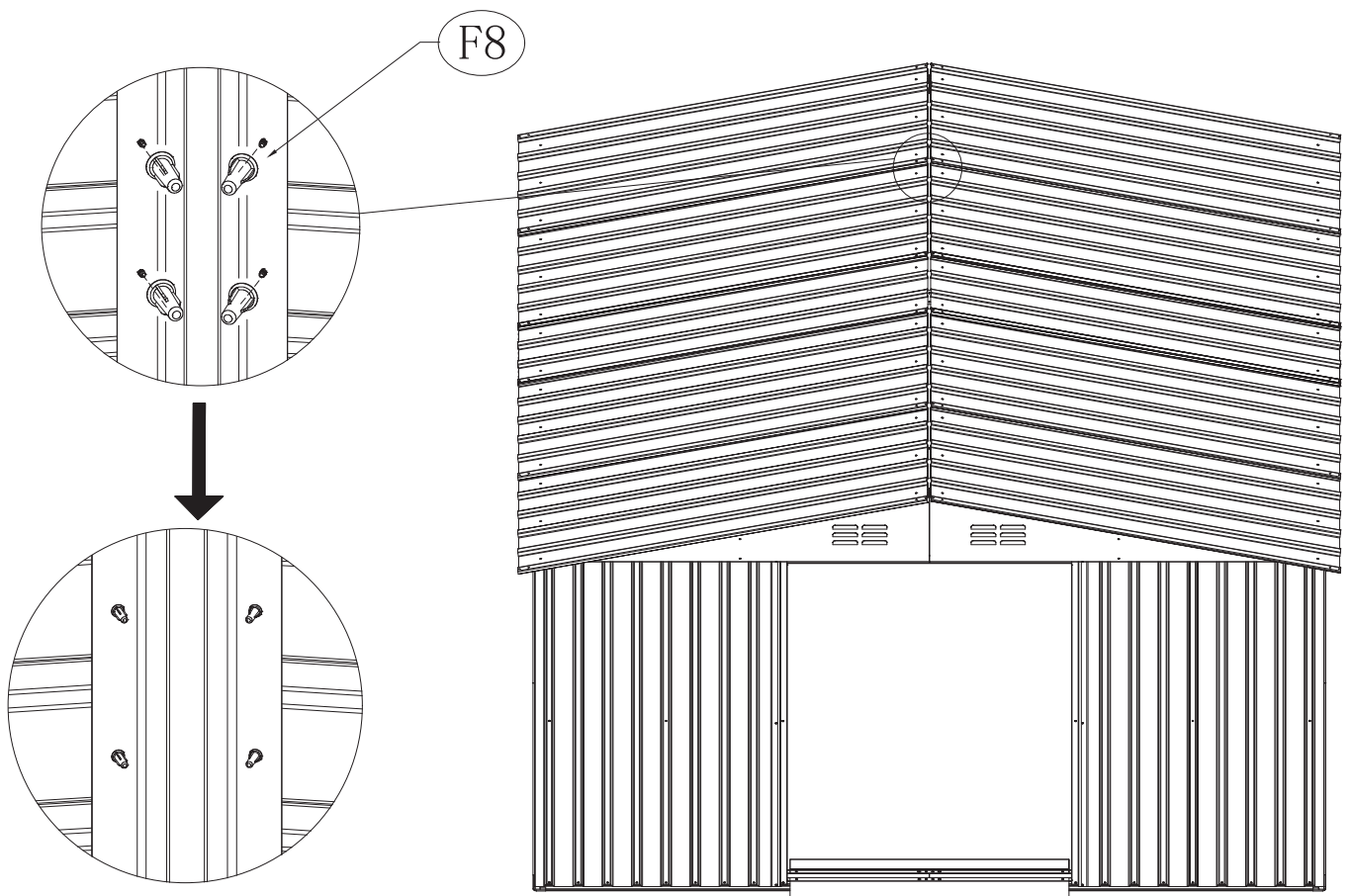
Install 2 roof frames (W12) and 4 roof frames (W15) using 50 screws (S4) and 50 washers (F7).

ASSEMBLY INSTRUCTIONS

 **CAVEAT**

Note: Please tighten the bolts after each installation step.

NO.	PART.	Qty.
F8		28






**STEP 28**

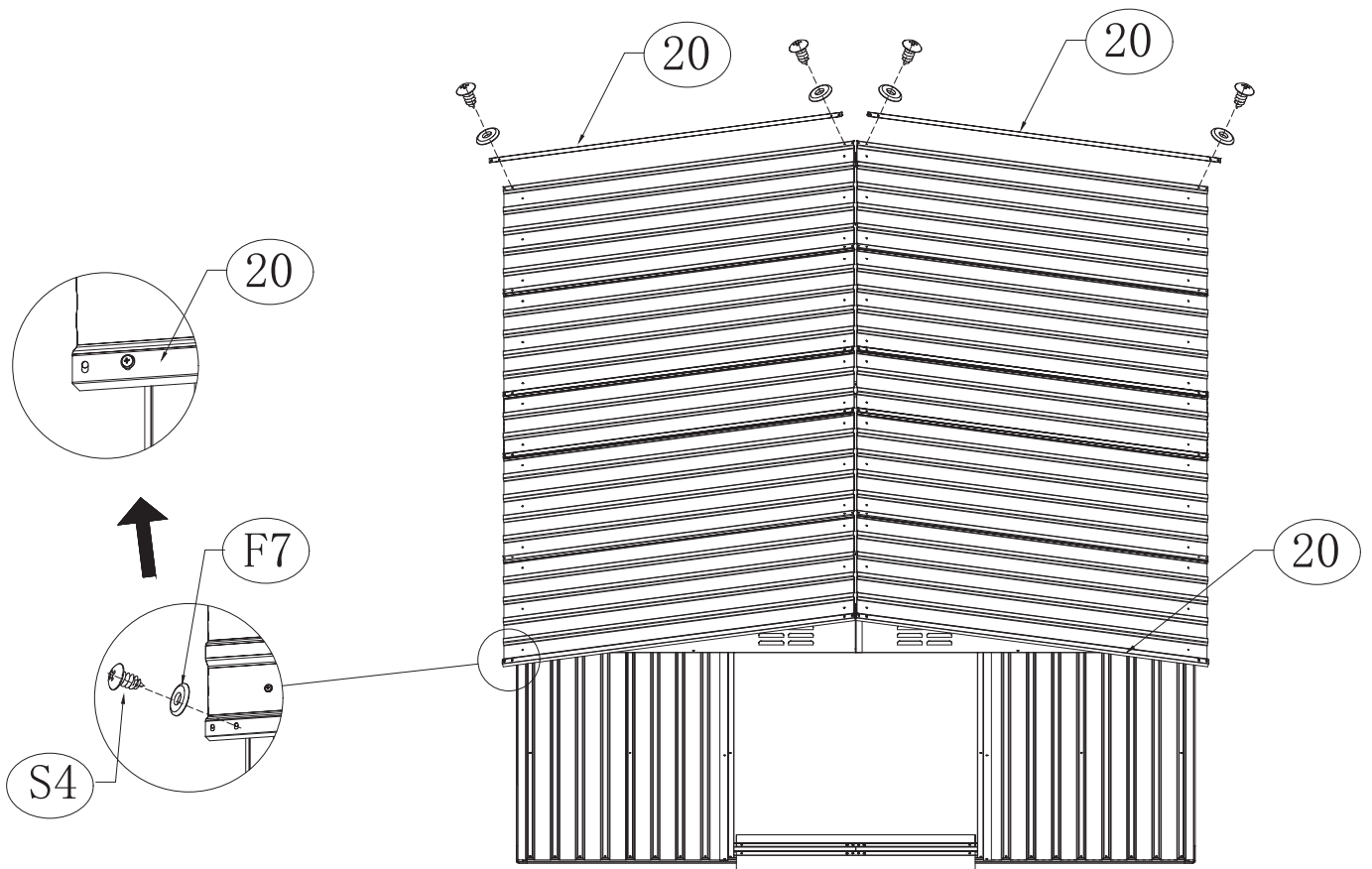
Install 28 roof screws (F8).

ASSEMBLY INSTRUCTIONS

**CAVEAT**

Note: Please tighten the bolts after each installation step.

NO.	PART.	Qty.
20	 1543mm	4
S4		8
F7		8










**STEP 29**

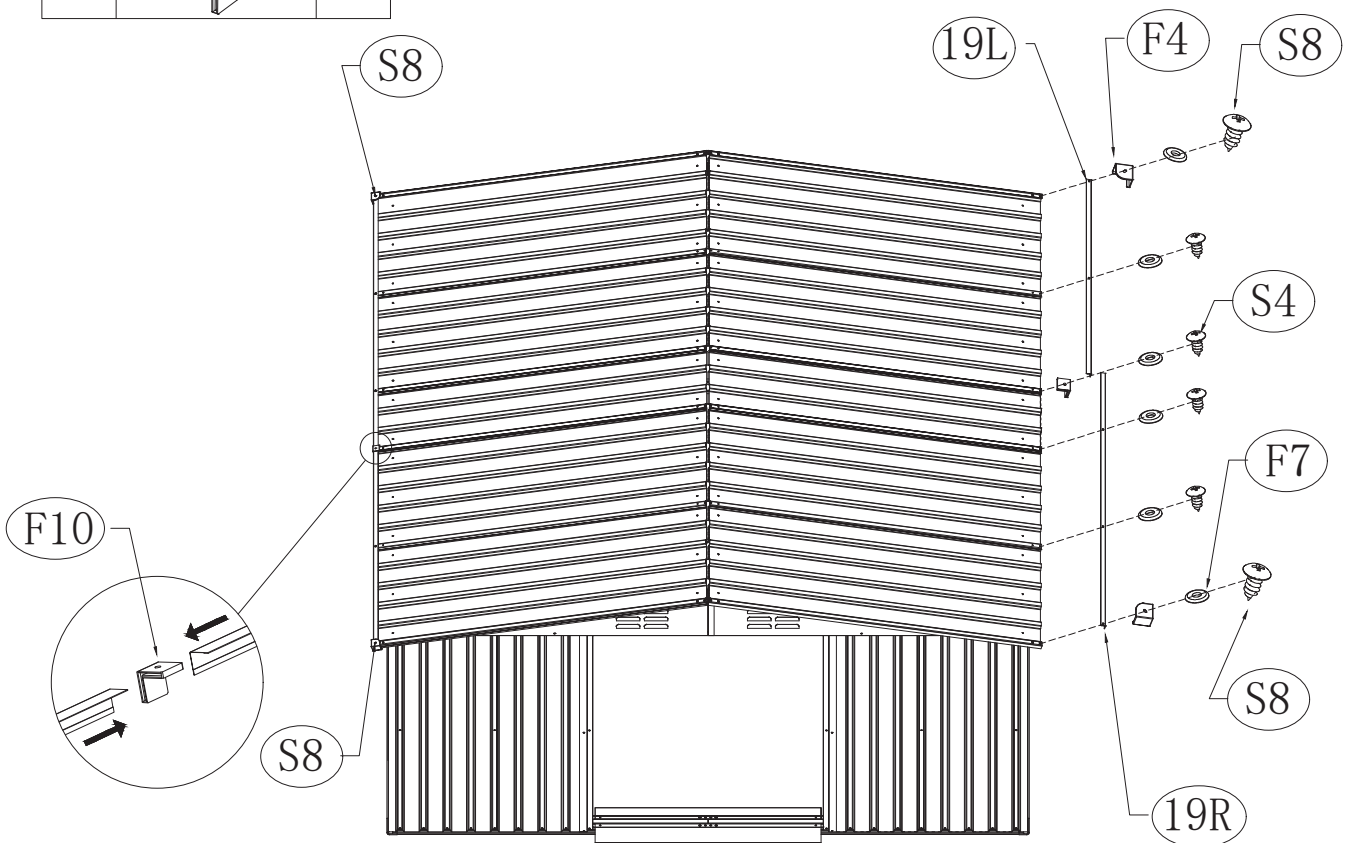
Install 4 roof frames (20) using 8 screws (S4) and 8 washers (F7).

ASSEMBLY INSTRUCTIONS

**CAVEAT**

Note: Please tighten the bolts after each installation step.

NO.	PART.	Qty.
19L	 1072mm	2
19R	 1393mm	2
F4		4
S4		8
S8		4
F7		12
F10		2




**STEP 30**

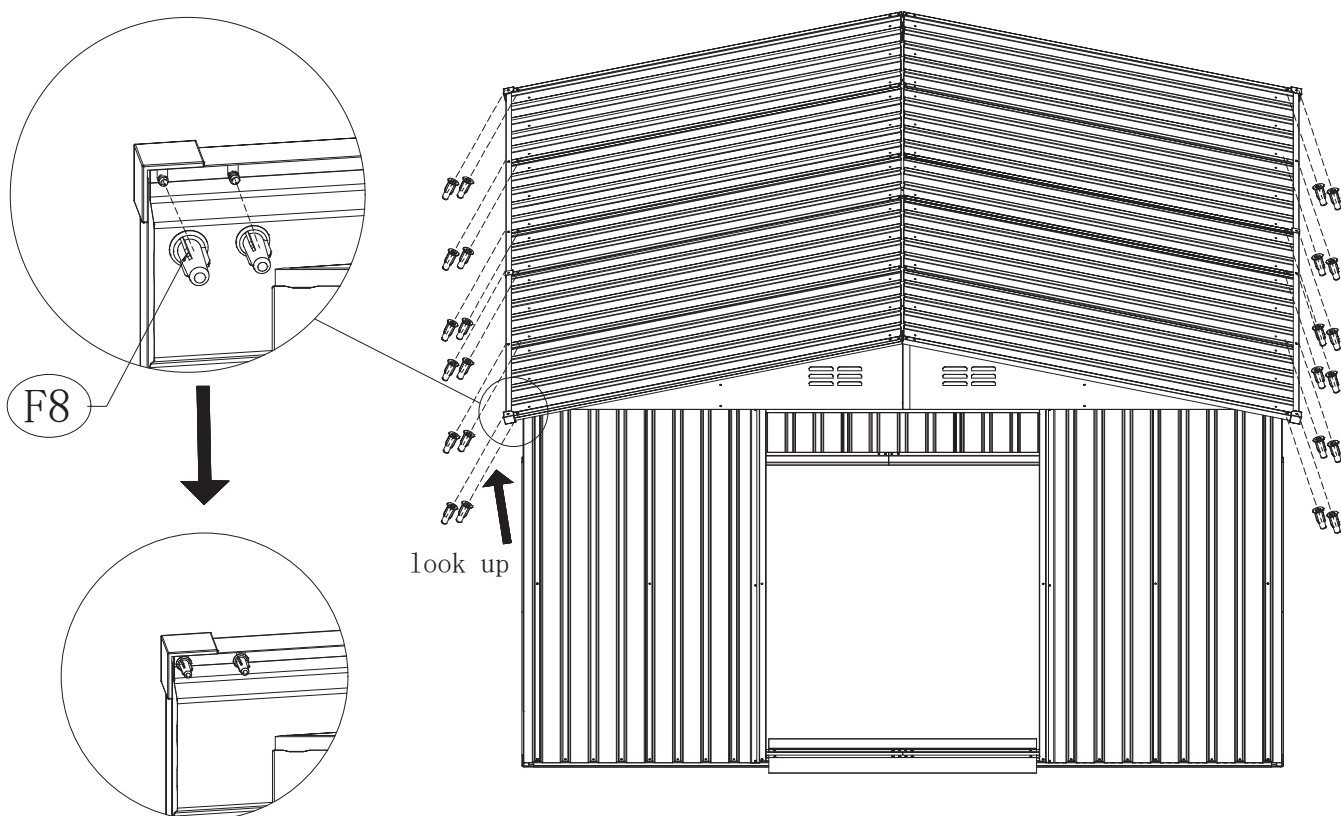
Install 4 eaves frames (19L&19R) using 4 connectors (F4), 8 screws (S4), 4 screws (S8), 12 washers (F7) and 2 connectors (F10).

ASSEMBLY INSTRUCTIONS

**!** CAVEAT

Note: Please tighten the bolts after each installation step.

NO.	PART.	Qty.
F8		24









**STEP 31**

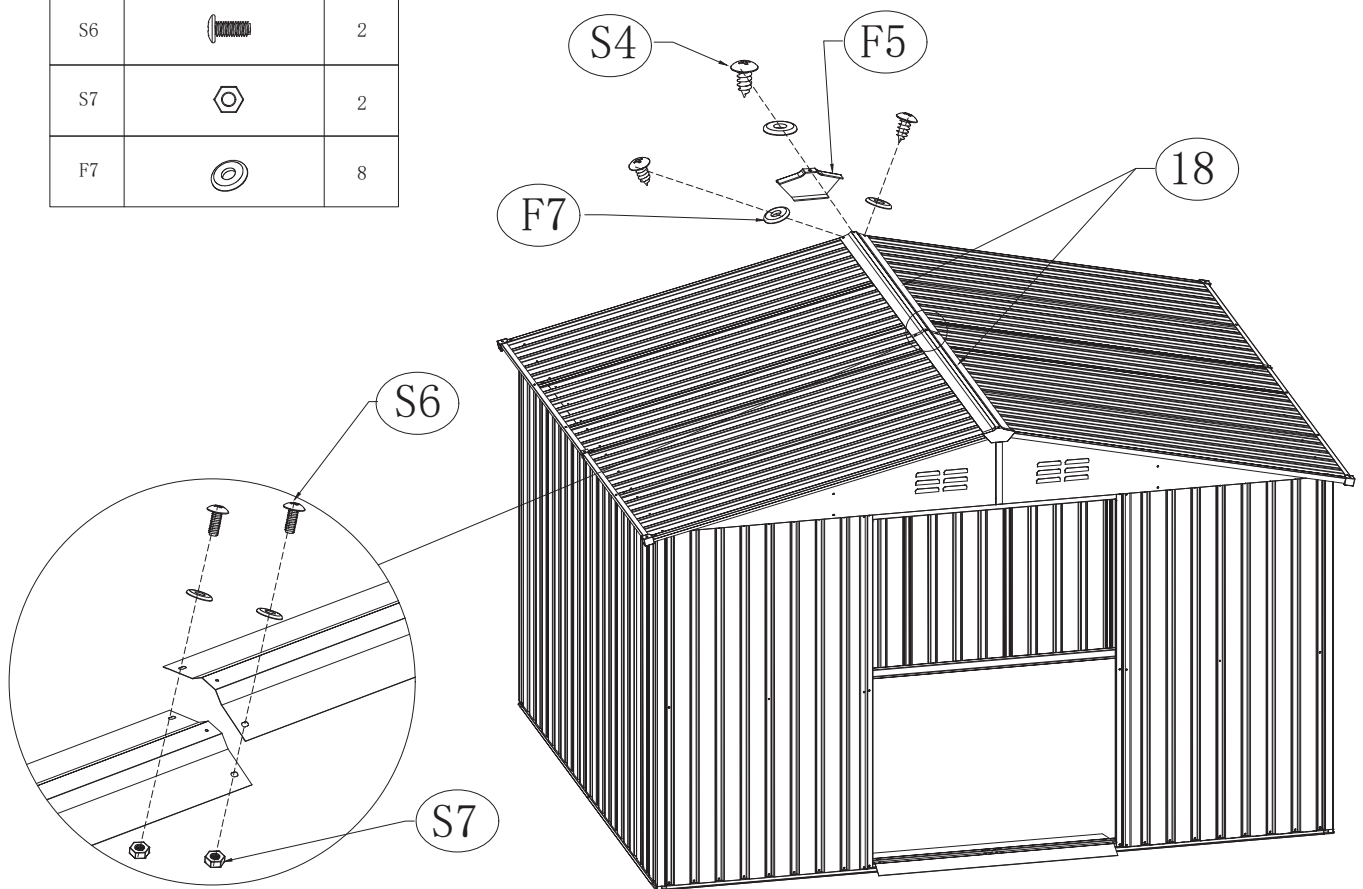
Install 24 bolts (F8) on the eaves.

ASSEMBLY INSTRUCTIONS

**CAVEAT**

Note: Please tighten the bolts after each installation step.

NO.	PART.	Qty.
18	 1250, 5mm	2
F5		2
S4		6
S6		2
S7		2
F7		8



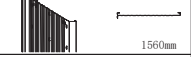







**STEP 32**

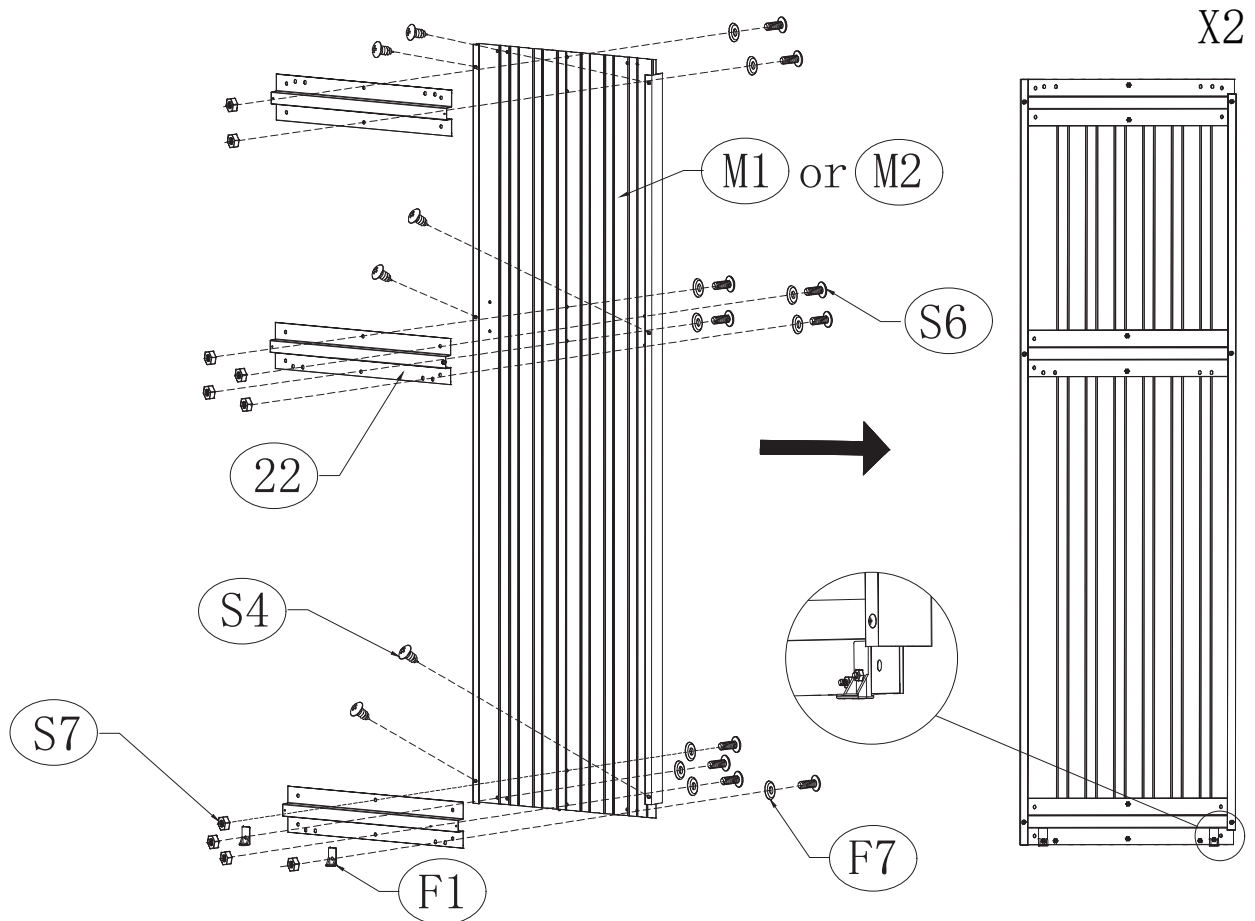
Attach 2 roof frames (18) and 2 plastic parts (F5) to the roof using 6 screws (S4), 2 bolts (S6), 2 nuts (S7) and 8 washers (F7).

ASSEMBLY INSTRUCTIONS

**CAVEAT**

Note: Please tighten the bolts after each installation step.

NO.	PART.	Qty.	NO.	PART.	Qty.
M1		1	S4		12
M2		1	S6		24
22		6	S7		24
F1		4	F7		36






**STEP 33**

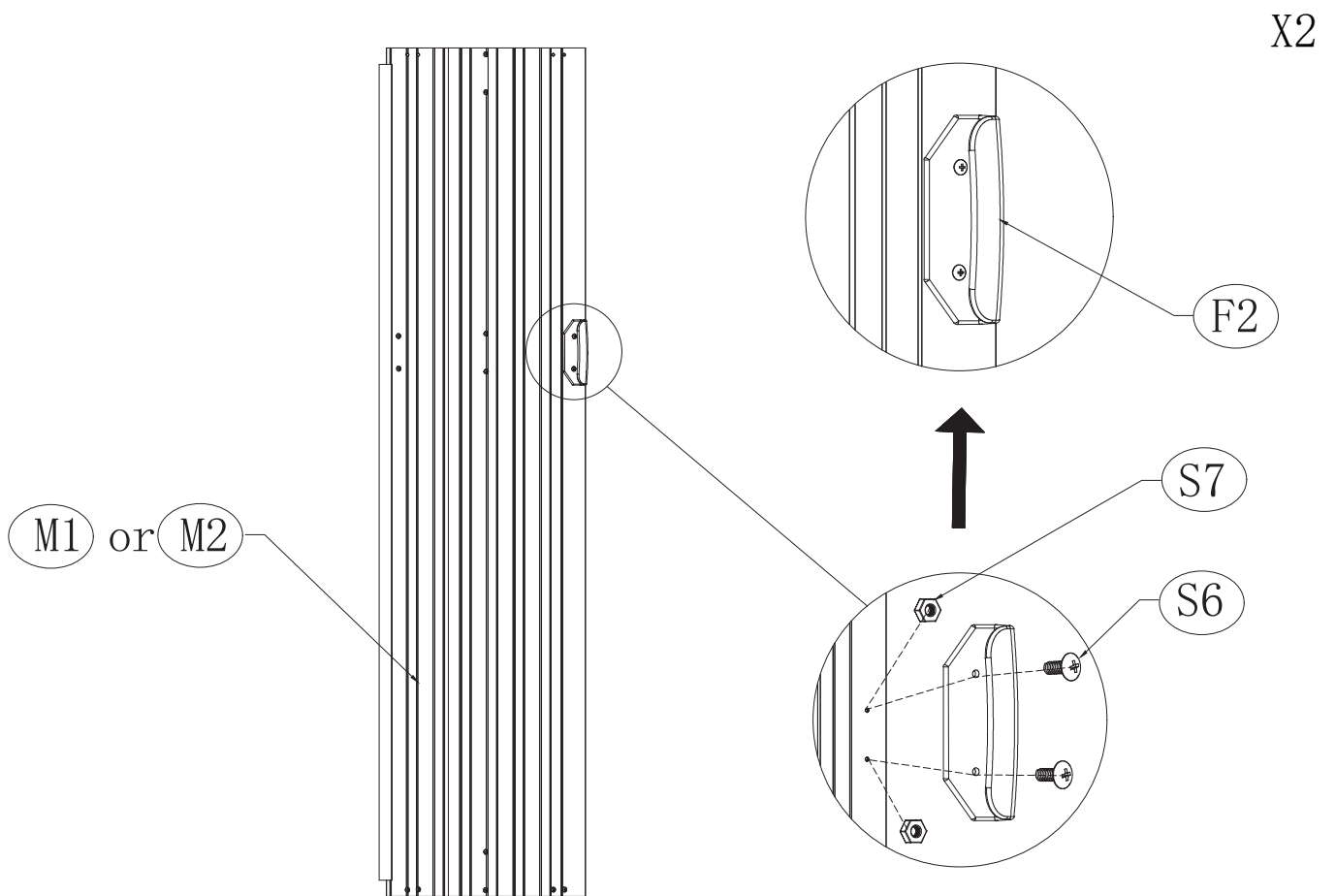
Attach 3 connectors (22) and 2 connectors (F1) to the door (M1) using 6 screws (S4), 12 screws (S6), 12 nuts (S7) and 18 washers (F7). Install the door (M2) in the same way.

ASSEMBLY INSTRUCTIONS

**CAVEAT**

Note: Please tighten the bolts after each installation step.

NO.	PART.	Qty.
F2		2
S6		4
S7		4




**STEP 34**

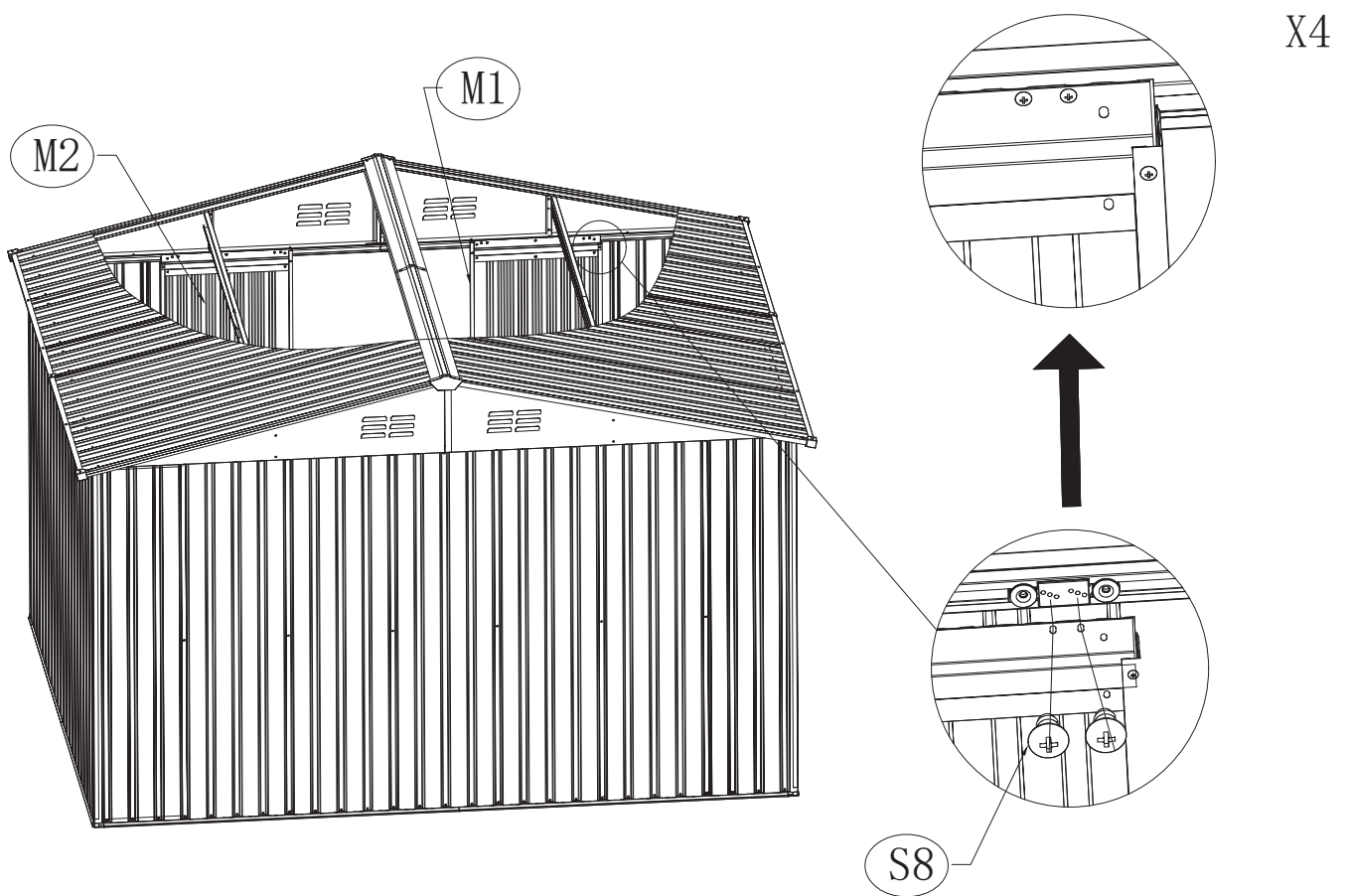
Install the 2 door handles (F2) on the doors (M1&M2) using 4 screws (S6) and 4 nuts (S7).

ASSEMBLY INSTRUCTIONS

**!** CAVEAT

Note: Please tighten the bolts after each installation step.

NO.	PART.	Qty.
S8		8




**STEP 35**

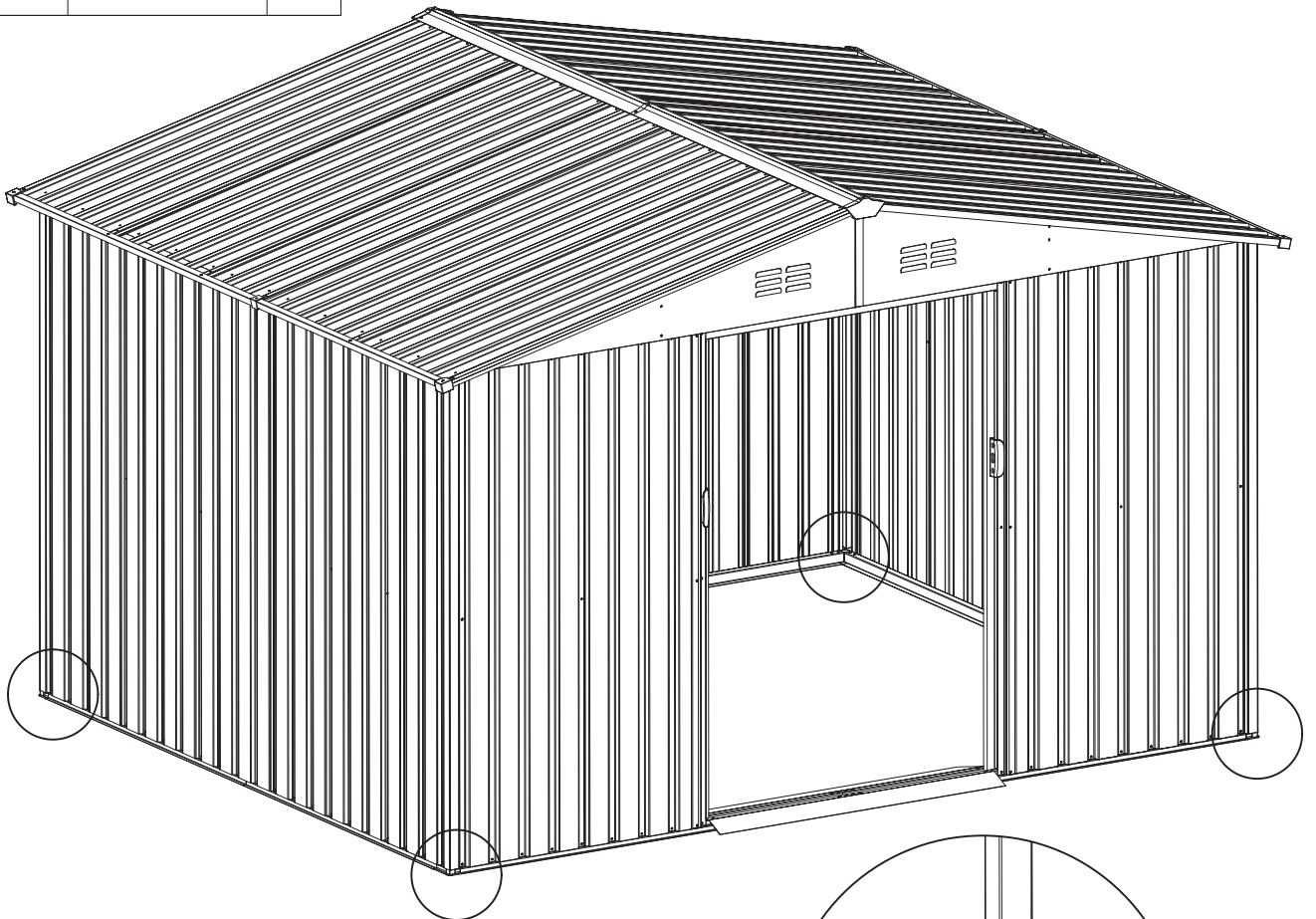
Install 8 screws (S8) on the top of the doors (M1&M2).

ASSEMBLY INSTRUCTIONS

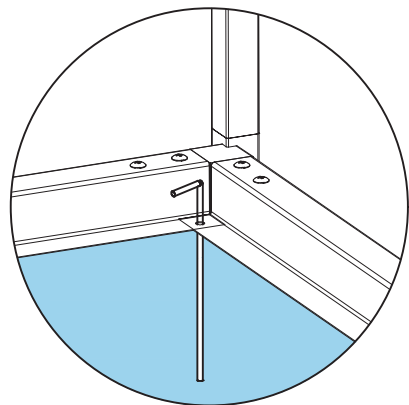
 **CAVEAT**

Note: Please tighten the bolts after each installation step.

NO.	PART.	Qty.
S9		4



If the shed is installed on grass, the [S9] can be used to increase the stability of the shed.



**STEP 36**

Insert 4 ground spikes (S9) at the four corners of the house.

## CARE AND MAINTENANCE

Follow the instructions for the product's material to ensure it stays in the best shape as long as possible. The information below is a general guideline.

Don't hesitate to get in touch with us to learn more.

- Only rinse it thoroughly with clean water to wash away dirt and grime. Never use abrasive cleansers on the furniture since they can attack the surface and leave behind scratch marks.

- For stubborn grime and stains, use a soft sponge and mild soapy water.

Then dry it with a cloth or paper towel.

- Check the stability of the screws, nuts, and nut caps before each use.

Then, tighten them up after one to two months' use whenever required.

- Avoid improper use, and be careful not to scratch or damage the surface with sharp objects.

- When you move your furniture, lift it rather than pulling or pushing it to avoid damaging the floor, legs, and mounting.

## CUSTOMER SERVICE

Thanks for purchasing NUUGARDEN furniture. We are here to help you maximize your enjoyment and appreciation of it.

Please do not hesitate to contact our customer service if you have any questions regarding assembly or accessories.

Add: 6366 Corley Road, Norcross, GA 30071.

Tel: (800) 257-7108

Web: <https://nuumart.com>

E-mail: [service@nuugarden.com](mailto:service@nuugarden.com)

Service time: Mon-Fri, 8:30 AM-5:30 PM, EST



NUUGARDEN USA



### **Nuu Garden Corp.**

Add: 6366 Corley Road, Norcross GA 30071.

Tel: (800) 257-7108

Web: <https://nuumart.com>

E-mail: [service@nuugarden.com](mailto:service@nuugarden.com)