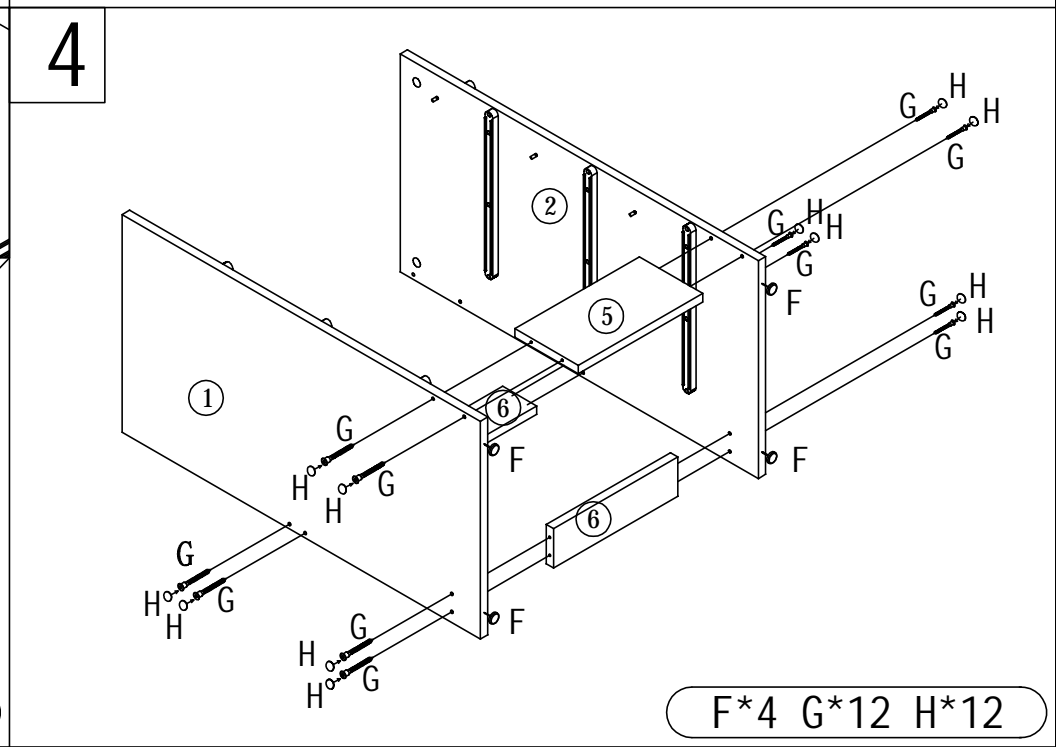
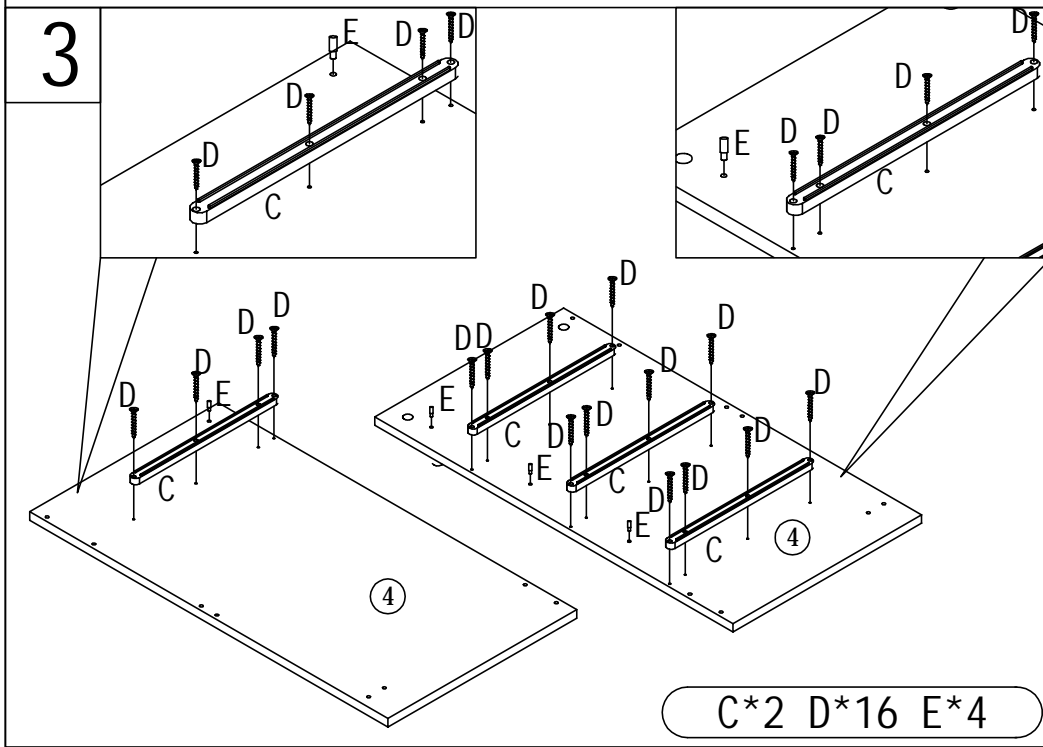
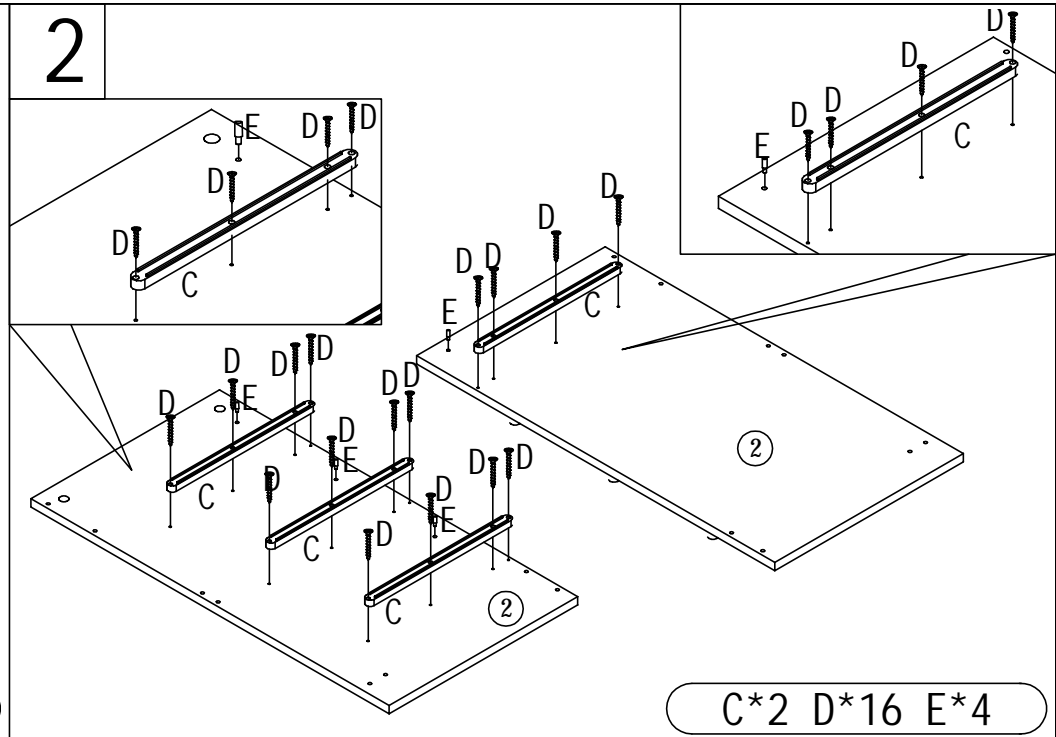
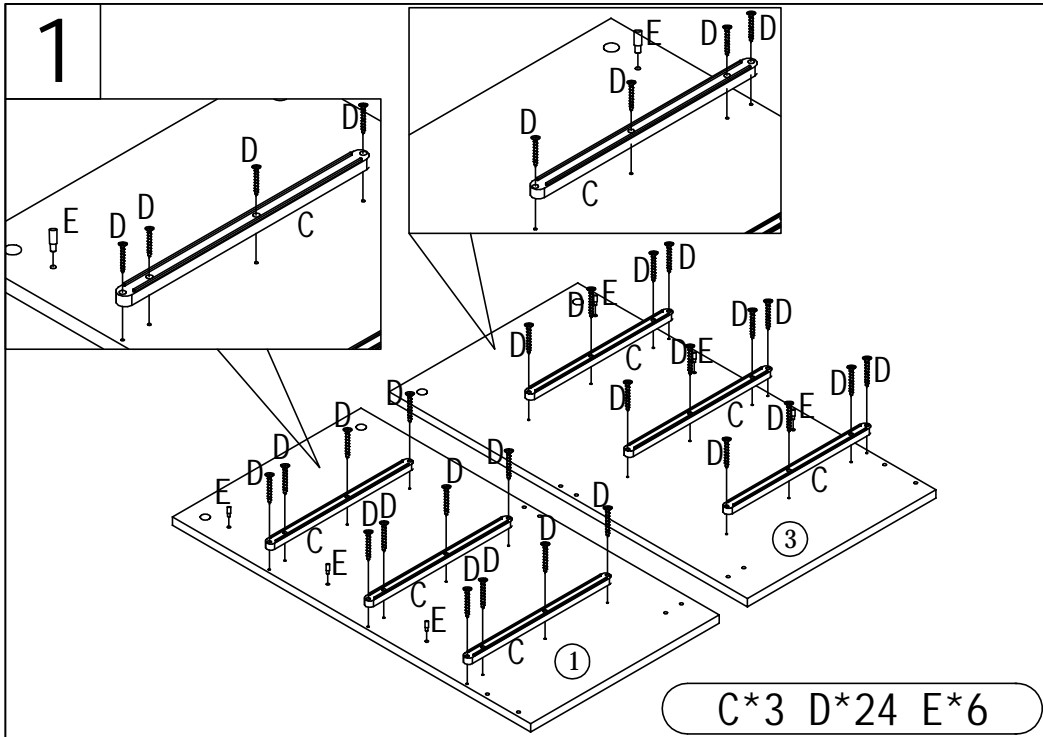
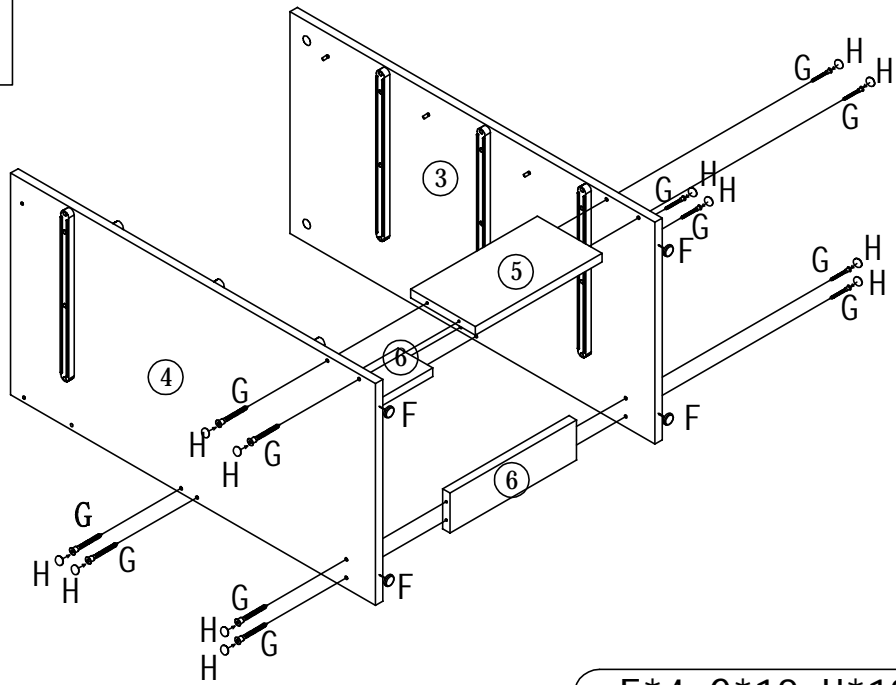


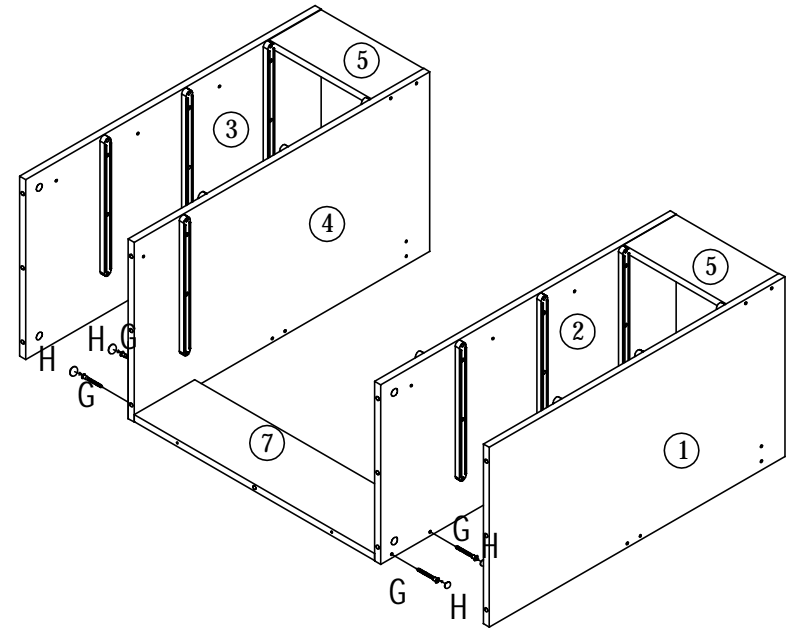
A 19pcs 15*34	B 12pcs 40*8mm	C 7pcs	D 56pcs 22*3.5mm	E 14pcs	F 12pcs	G 74pcs 40*5mm
H 113pcs φ20	I 40pcs	J 28pcs 15*34	K 6pcs 15mm	L 1pcs		



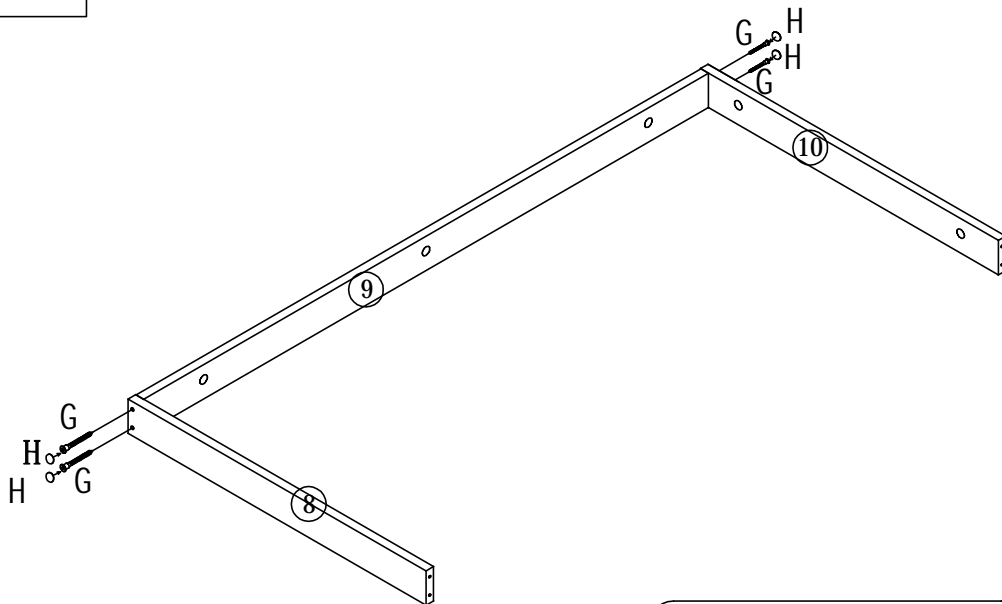
5


 $F*4 \quad G*12 \quad H*12$

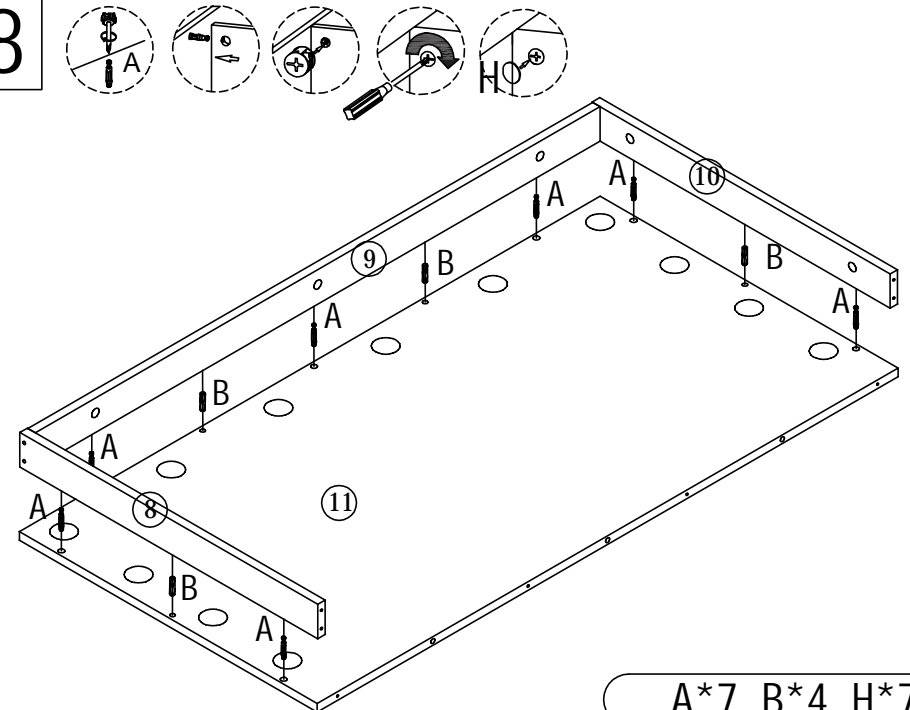
6


 $G*4 \quad H*4$

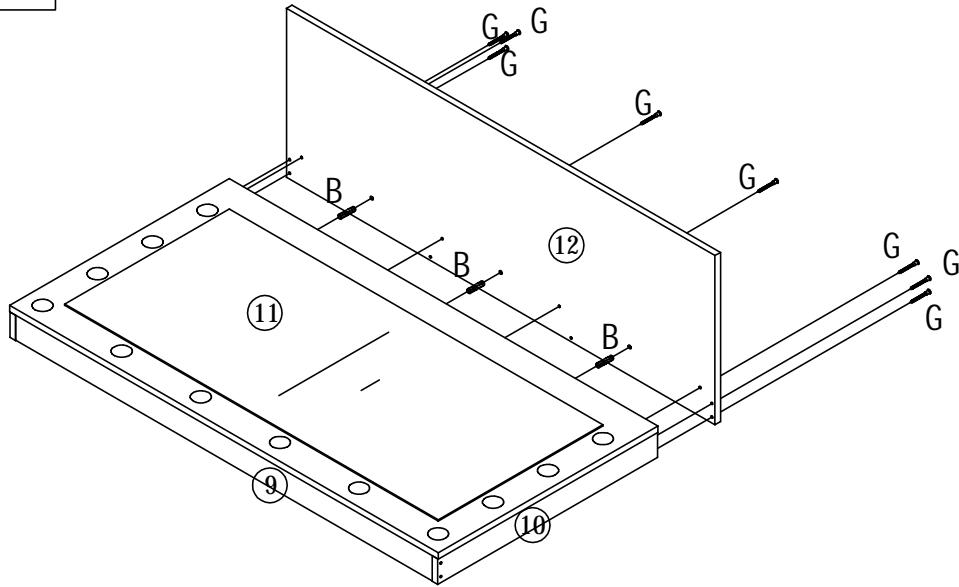
7


 $G*4 \quad H*4$

8

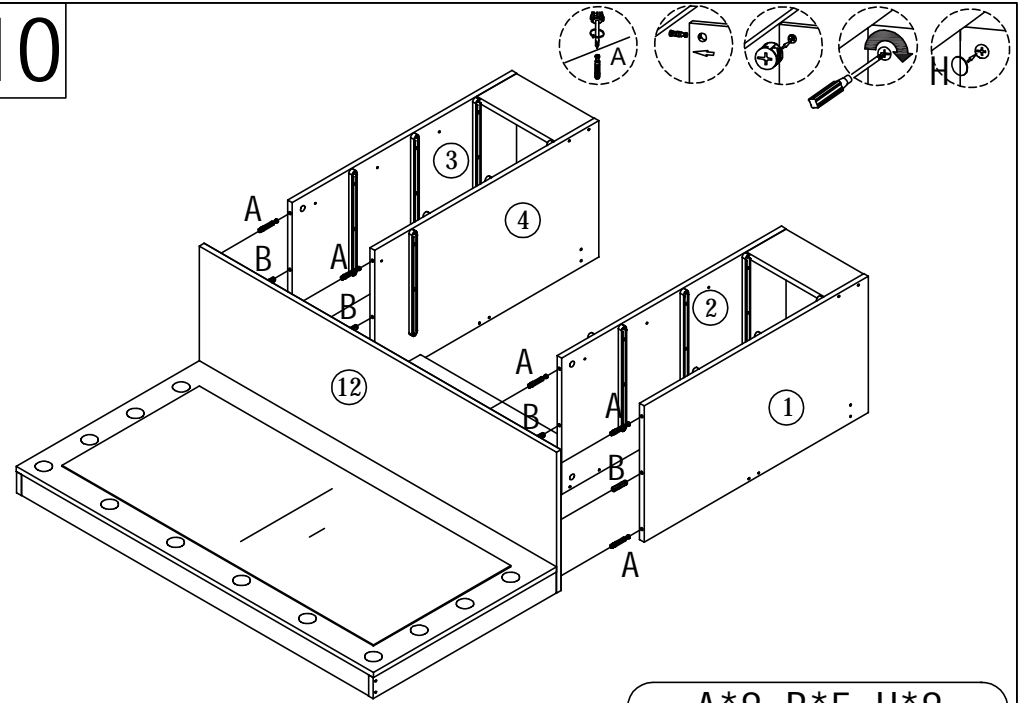

 $A*7 \quad B*4 \quad H*7$

9



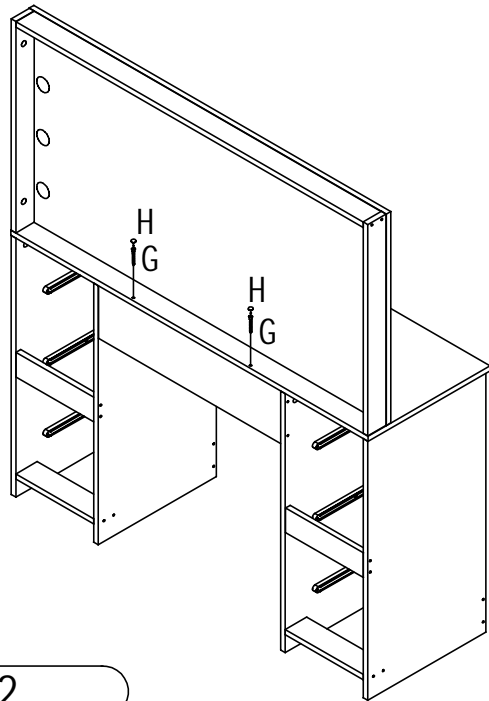
B*3 G*8

10



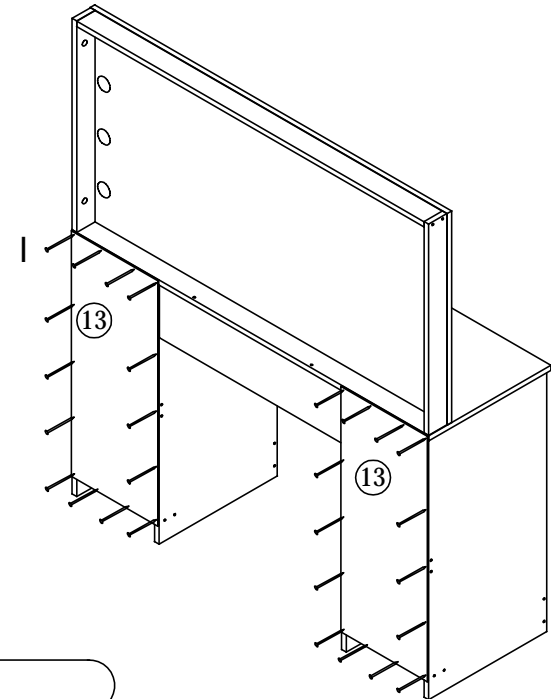
A*8 B*5 H*8

11



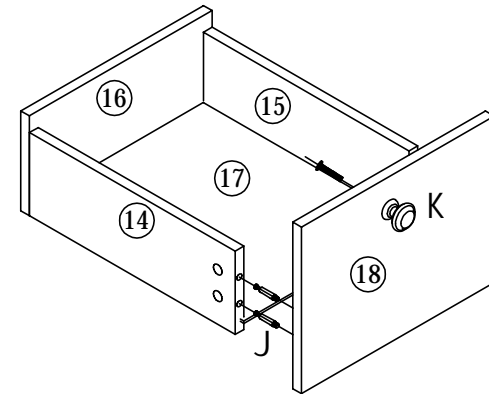
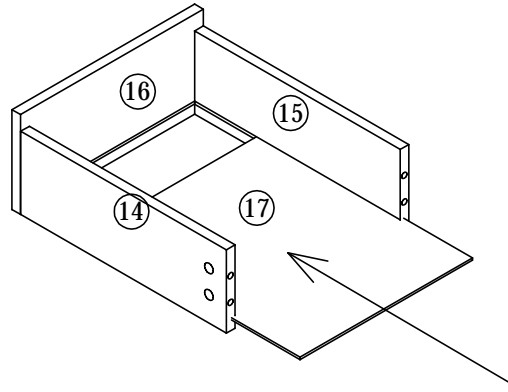
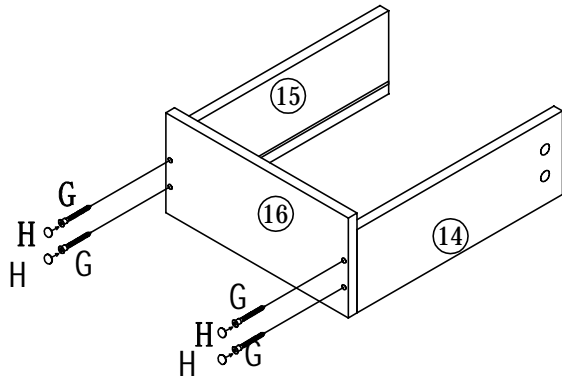
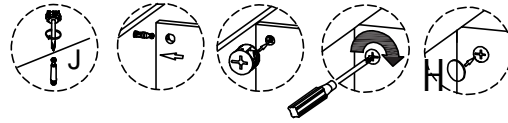
G*2 H*2

12



I*40

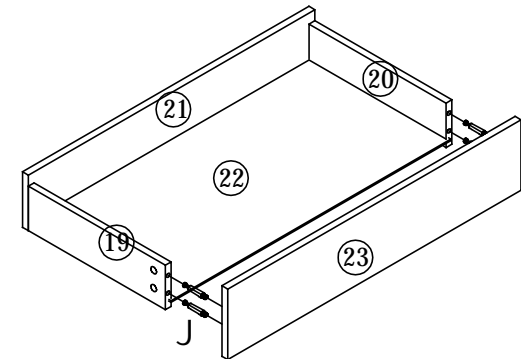
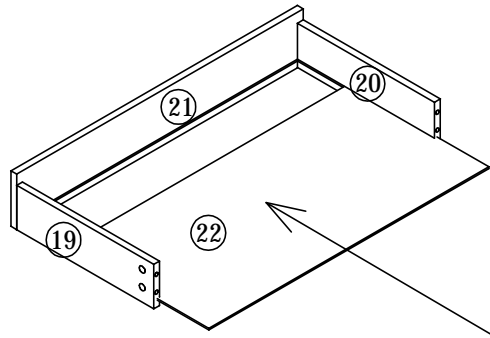
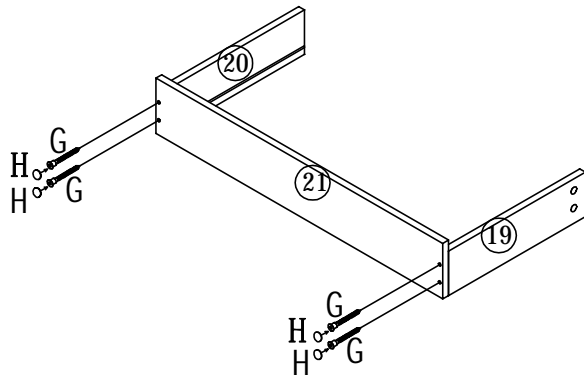
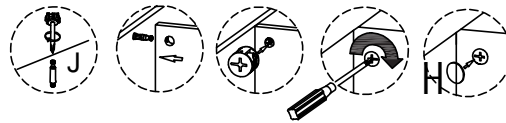
13



G*4 H*8 J*4 K*1

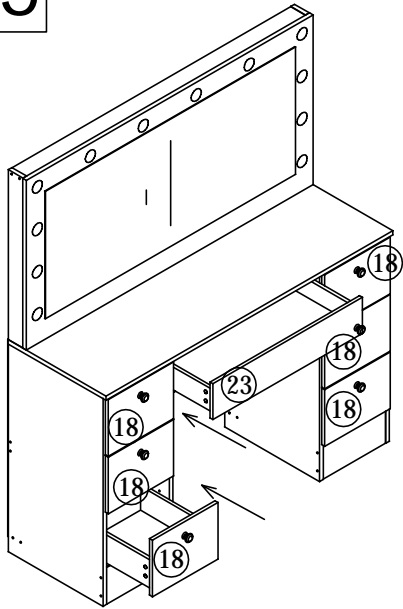
X6

14

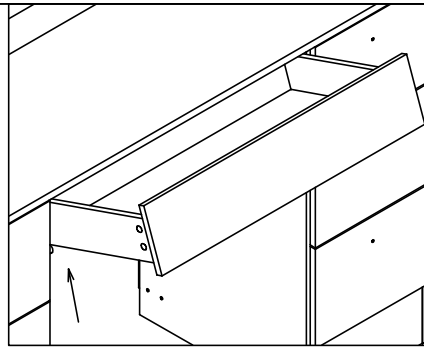


G*4 H*8 J*4

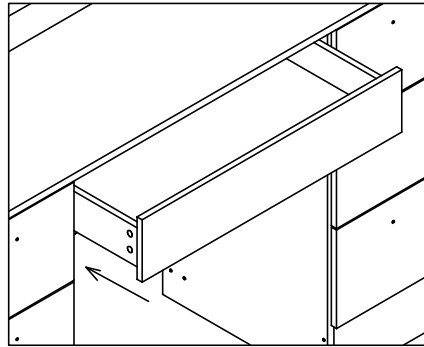
15



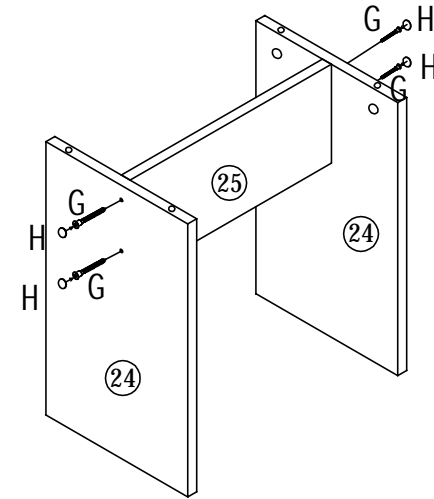
a:



b:

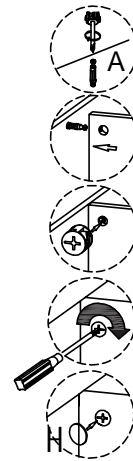
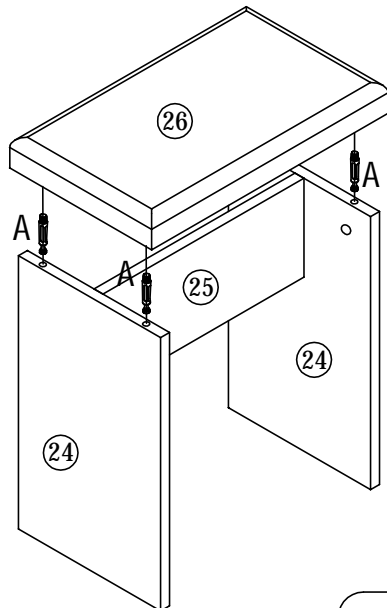


16



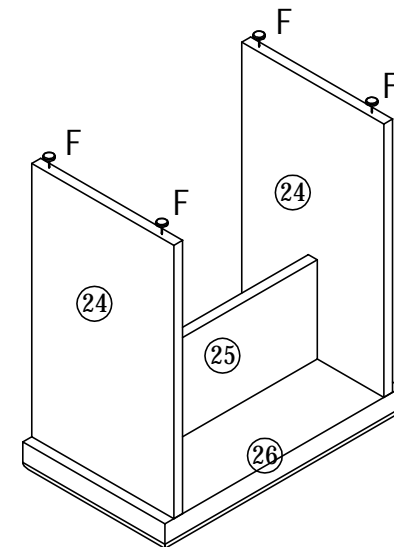
G*4 H*4

17



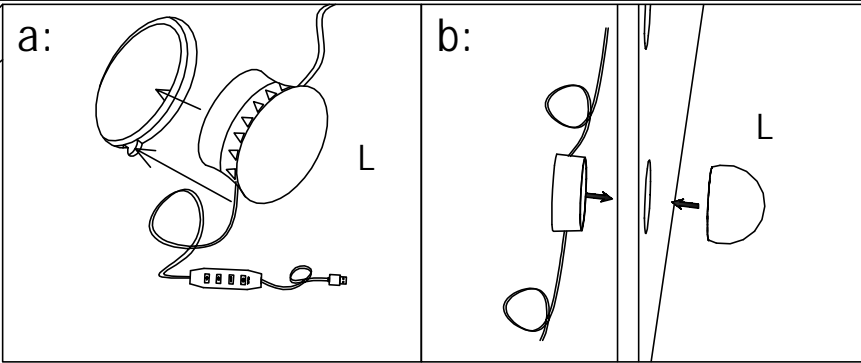
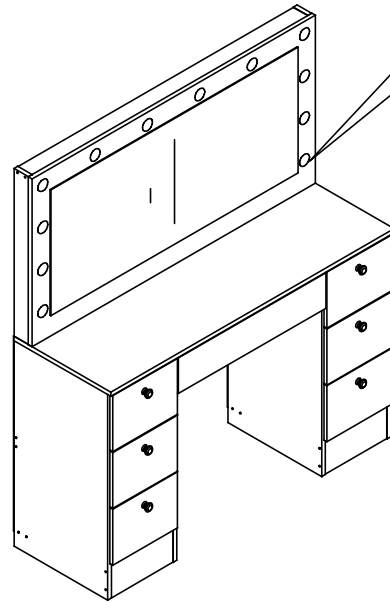
A*4 H*4

18



F*4

19



Please adjust the distance between the bulb and the bulb before installation

L*1

20

