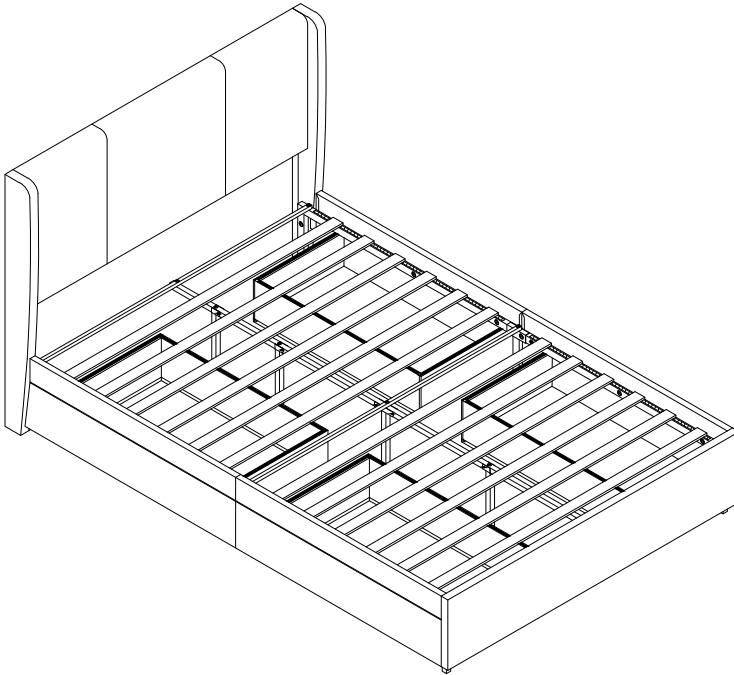


ASSEMBLY INSTRUCTION



Please **TEAR OFF** this shrink film from side!
DO NOT USE CUTTER!

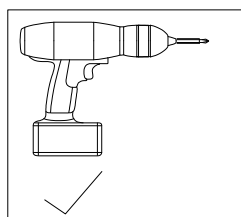
ITEM NUMBER:BD006

IMPORTANT NOTE

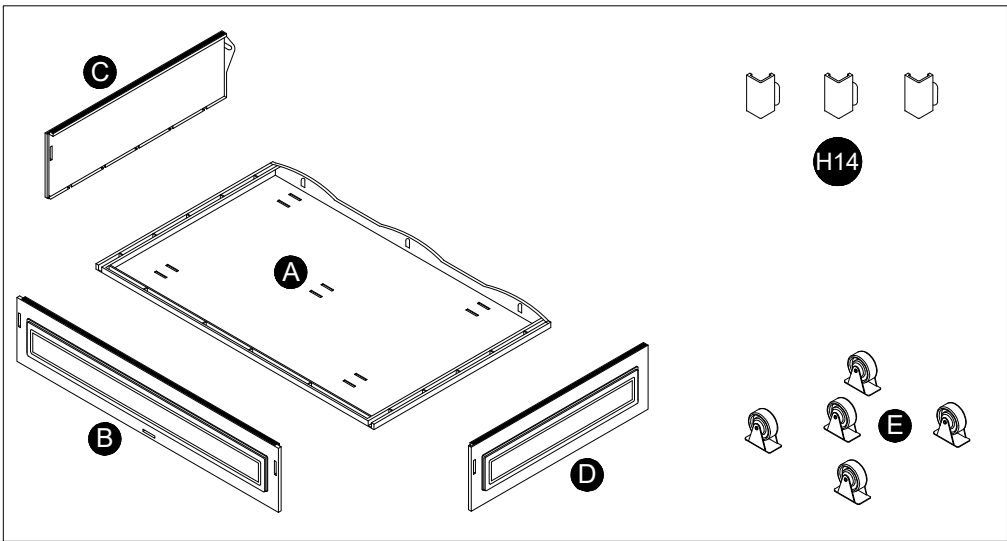
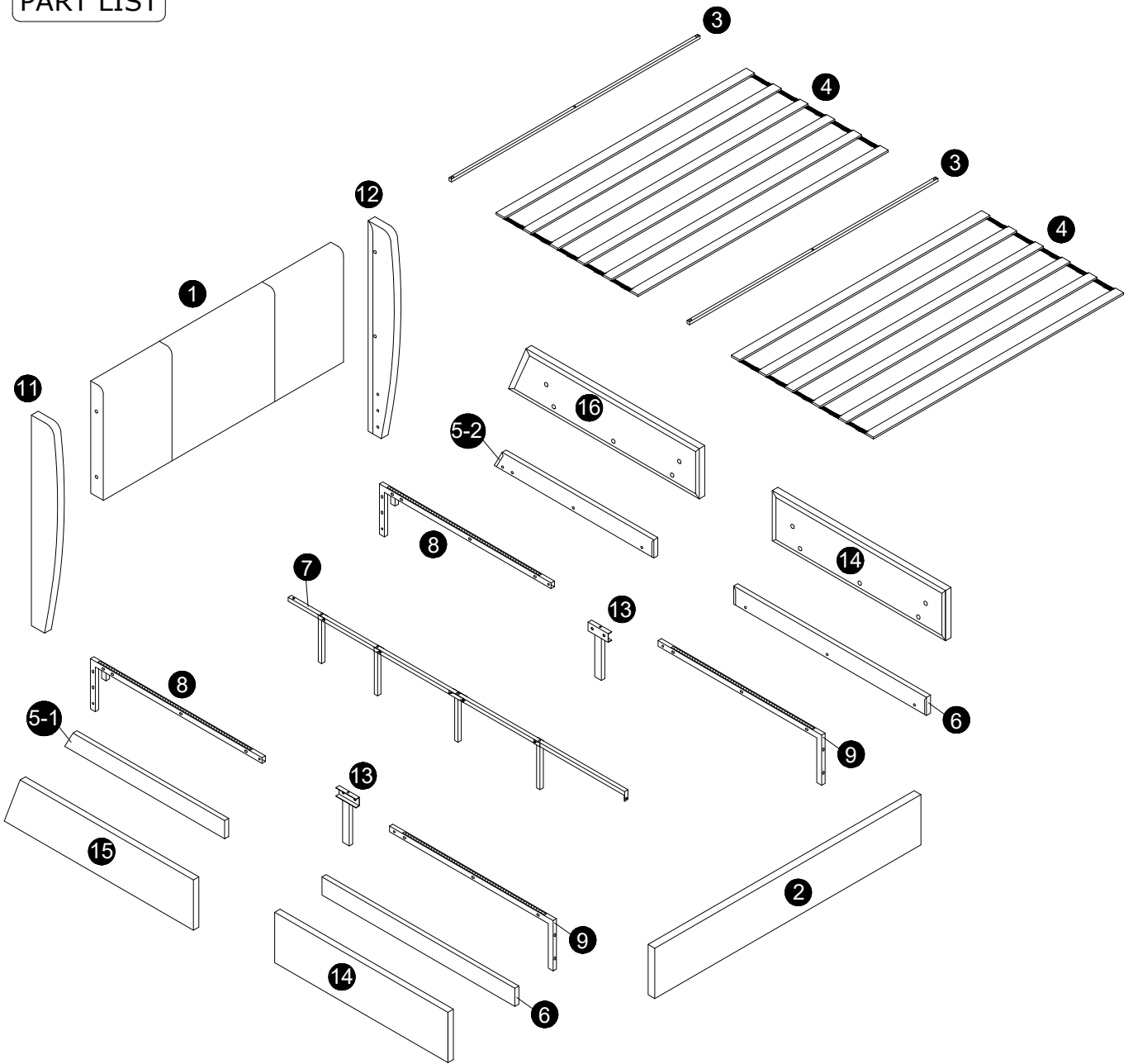
1. For the protection of your furniture, place all parts on a clean and smooth surface to prevent any damage.
2. Keep fittings out of children's reach and keep children well away from construction area.
3. When moving your assembled bed. it is best to lift the bed and never to drag it.
4. Do not use this product if parts are missing, damaged or worn.
5. This product should only be used on firm, level ground.
6. Please periodically check all fittings and re-tighten as necessary.
7. Do not use the bed unless all bolts and screws are firmly secured.
8. For further assistance, please provide a screenshot of your order and contact us via email at support@velocavabed.com



Minimum two
person assembly



PART LIST



x4

Components of Carton A

1 x 1pc 	2 x 1pc 	3 x 2pcs 	4 x 2pcs 	5-1 x 1pc
5-2 x 1pc 	6 x 2pcs 	7 x 1pc 	8 x 2pcs 	9 x 2pcs
11 x 1pc 	12 x 1pc 	13 x 2pcs 	E x 20pcs 	H14 x 12pcs

Components of Carton B

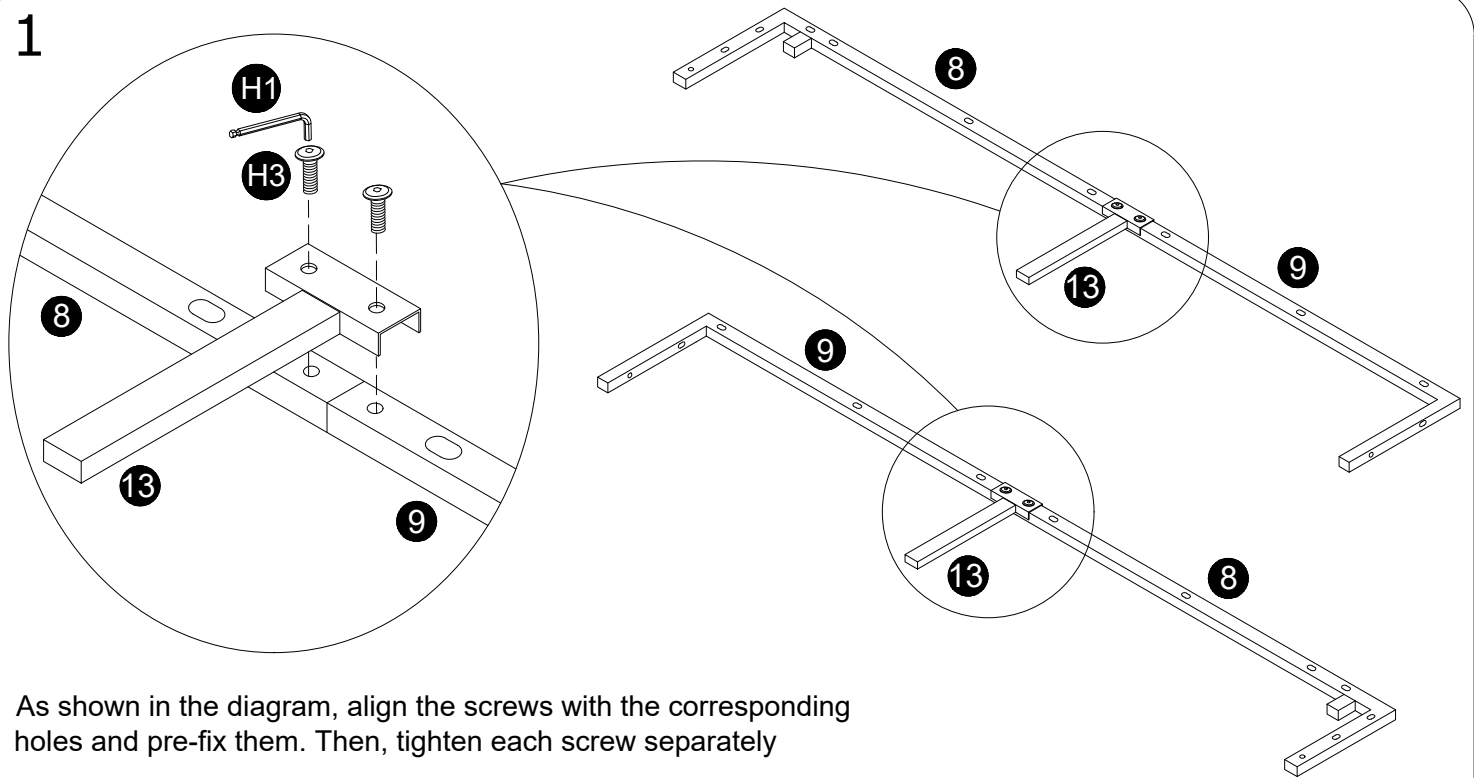
14 x 2pcs 	15 x 1pc 	16 x 1pc 	A x 4pcs
B x 4pcs 	C x 4pcs 	D x 4pcs 	

HARDWARE LIST

 H1 M5 x 1pc	 H2 M4 x 1pc	 H3 M8x30mm x 5pcs	 H4 M8x40mm x 7pcs
 H5 M8 x 11pcs	 H6 M8x22mm x 29pcs	 H7 M8x60mm x 8pcs	 H8 M6x35mm x 3pcs
 H9 M6x60mm x 1pc	 H10 M6x15mm x 20pcs	 H11 M8x50mm x 18pcs	

Please ensure to thoroughly inspect the small inner cardboard box containing the hardware, which are tied with a red string, before disposing of the box.

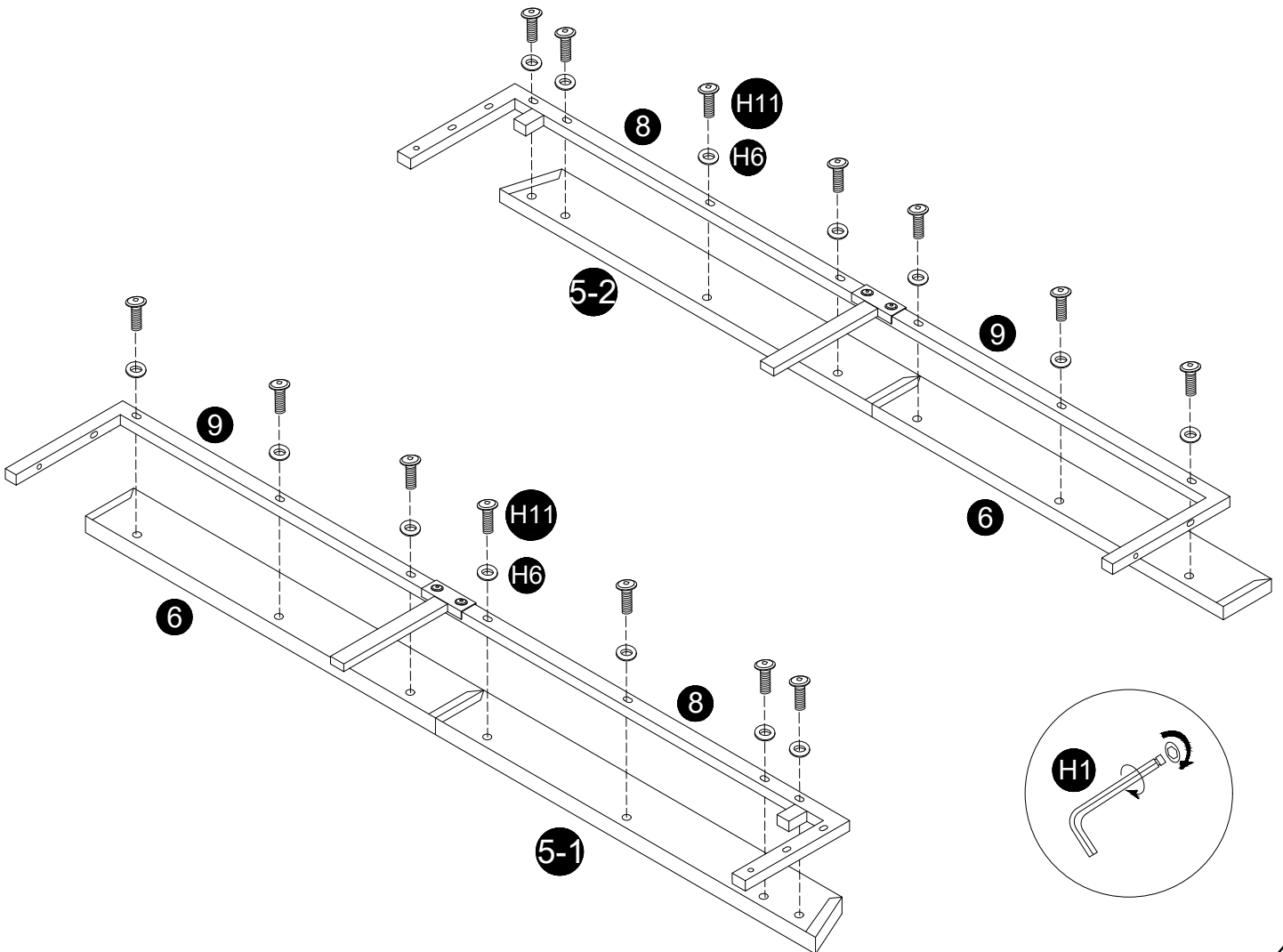
1



As shown in the diagram, align the screws with the corresponding holes and pre-fix them. Then, tighten each screw separately

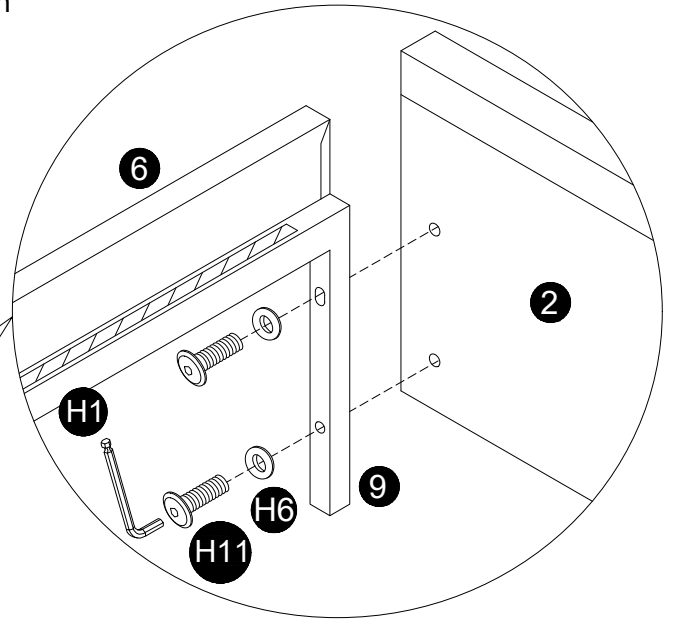
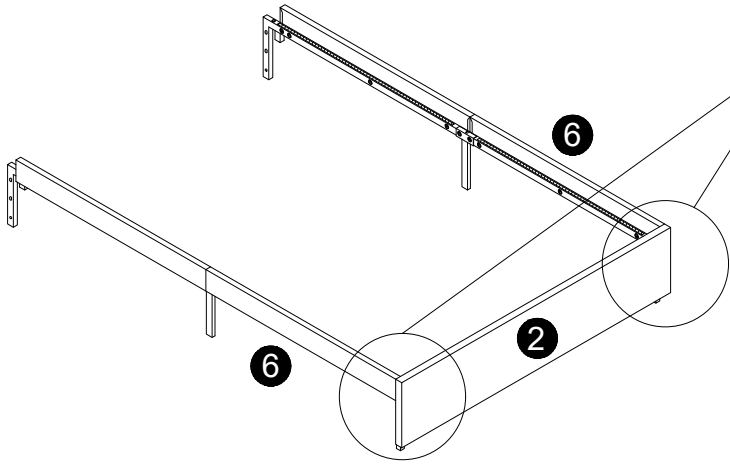
2

As shown in the diagram, align the screws with the corresponding holes and pre-fix them. Then, tighten each screw separately

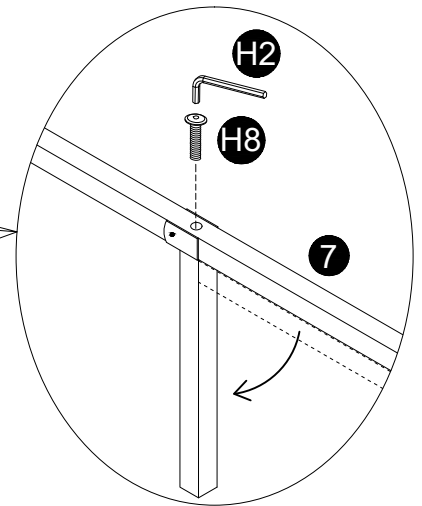
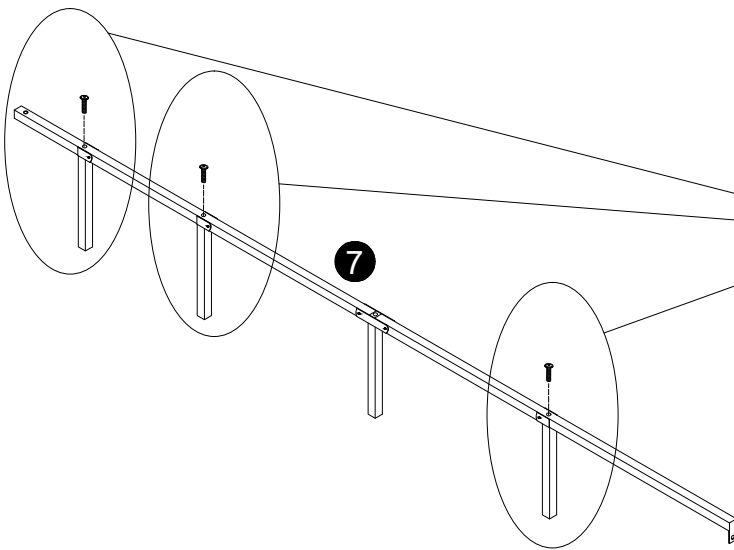


3

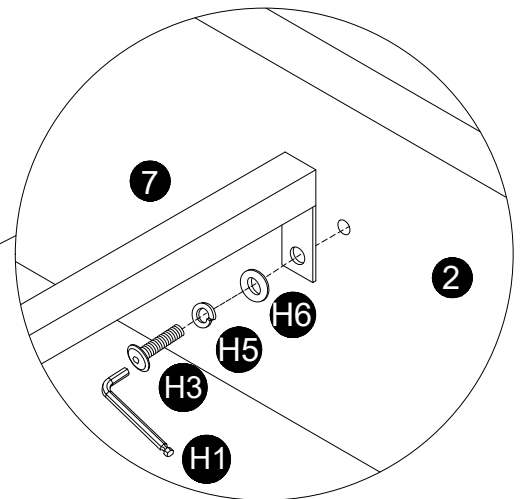
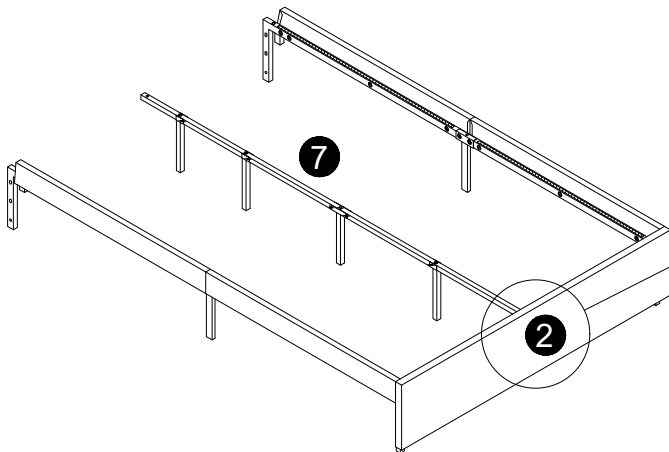
As shown in the diagram, align the screws with the corresponding holes and pre-fix them. Then, tighten each screw separately



4

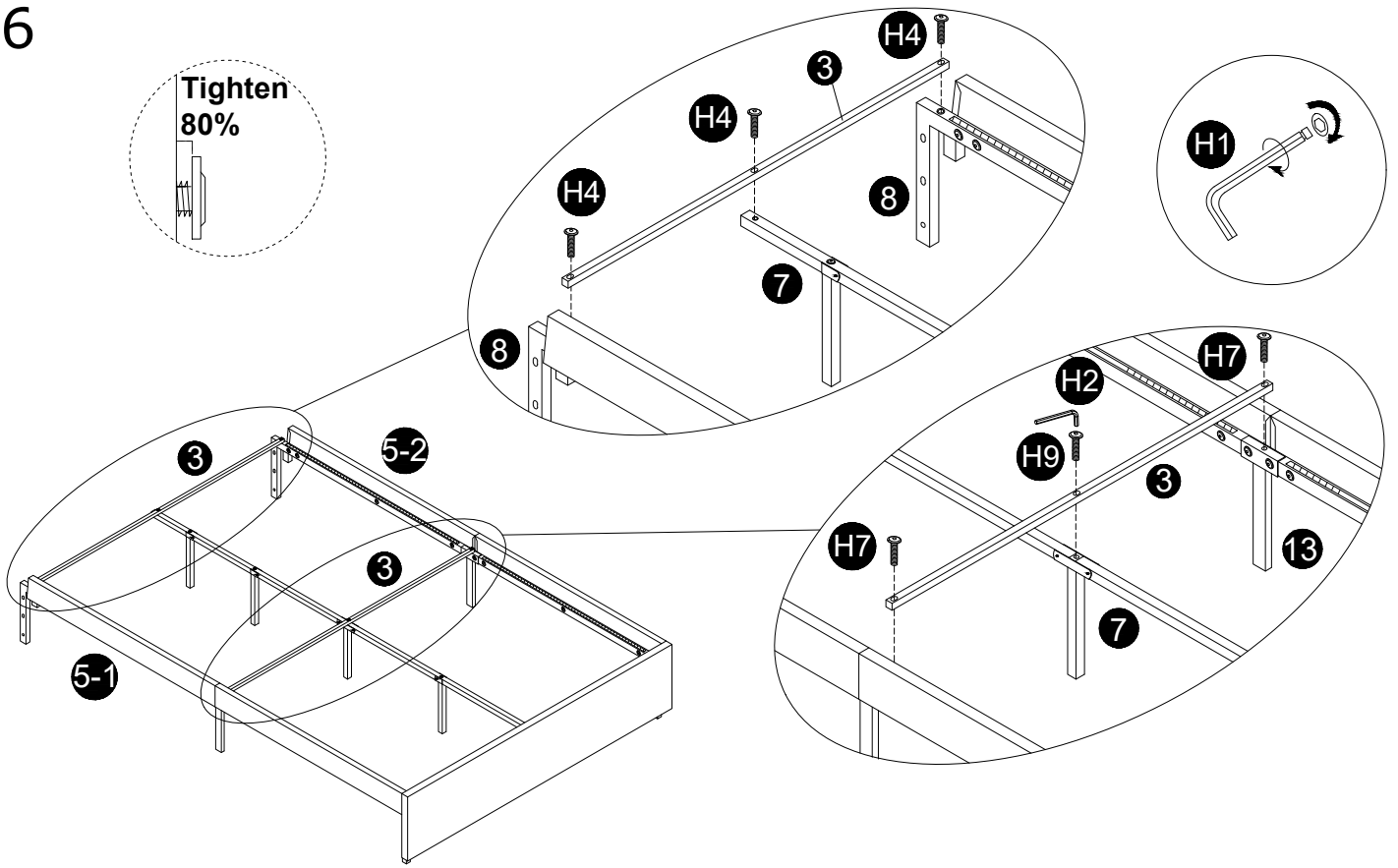


5



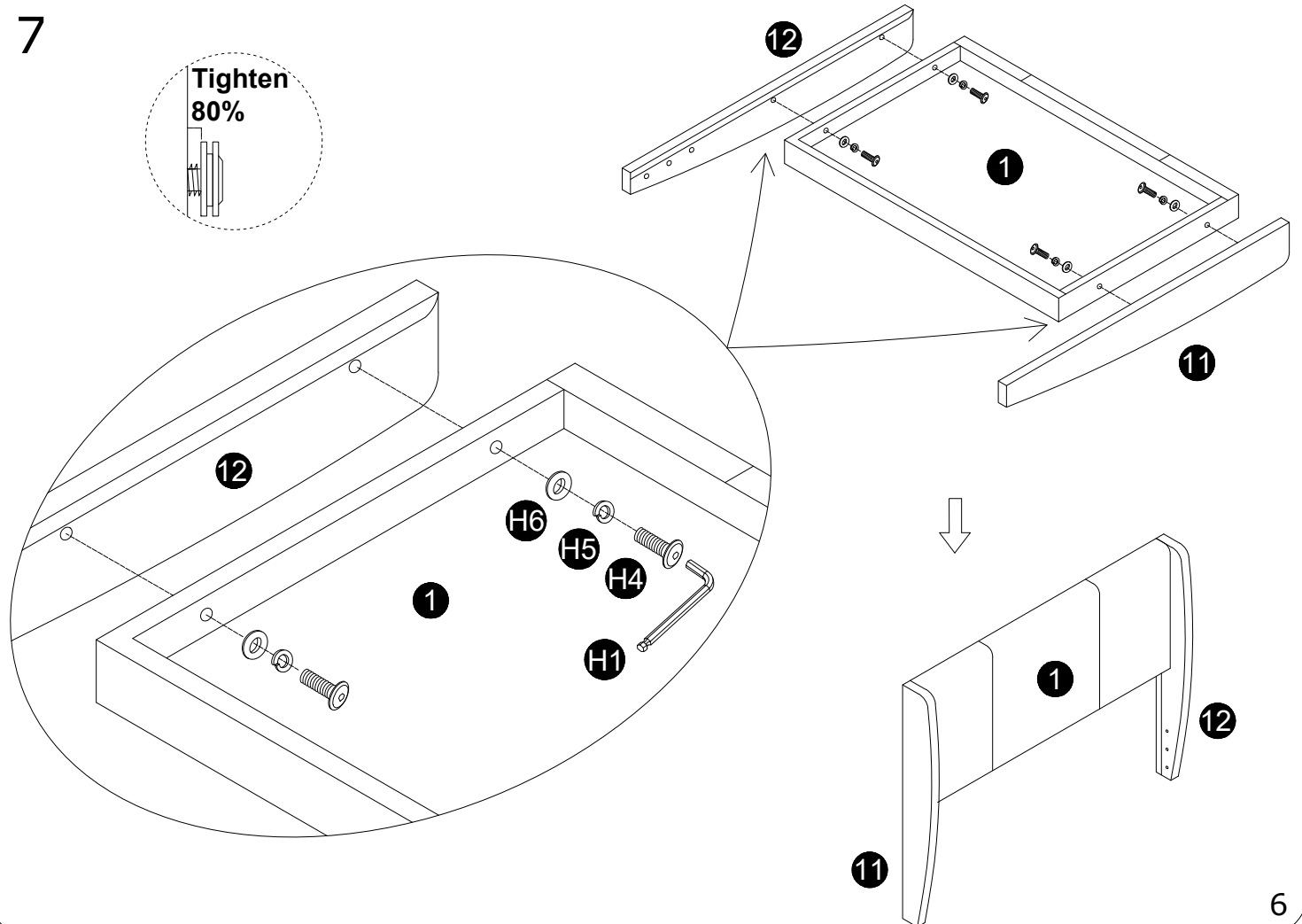
6

Tighten
80%



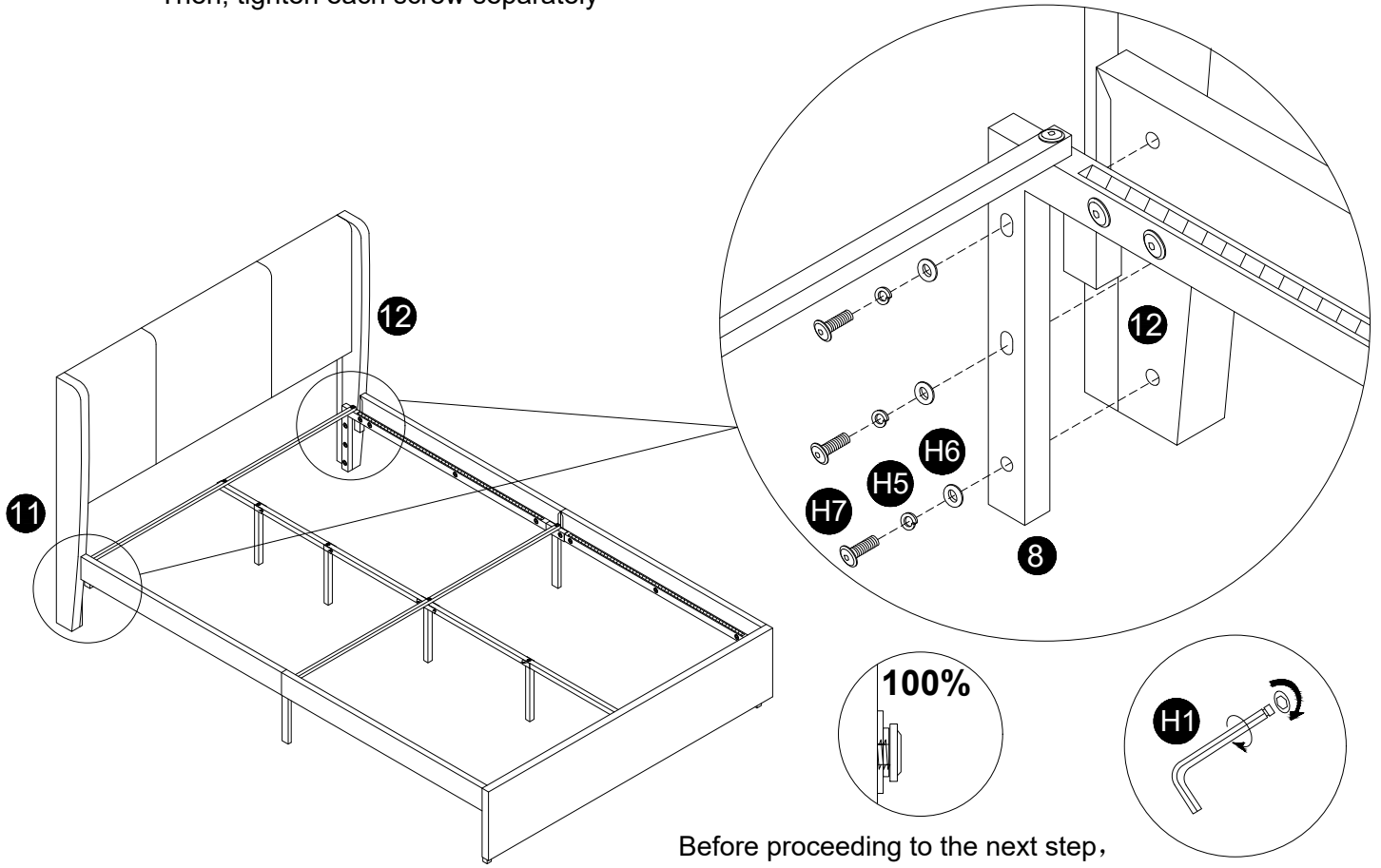
7

Tighten
80%



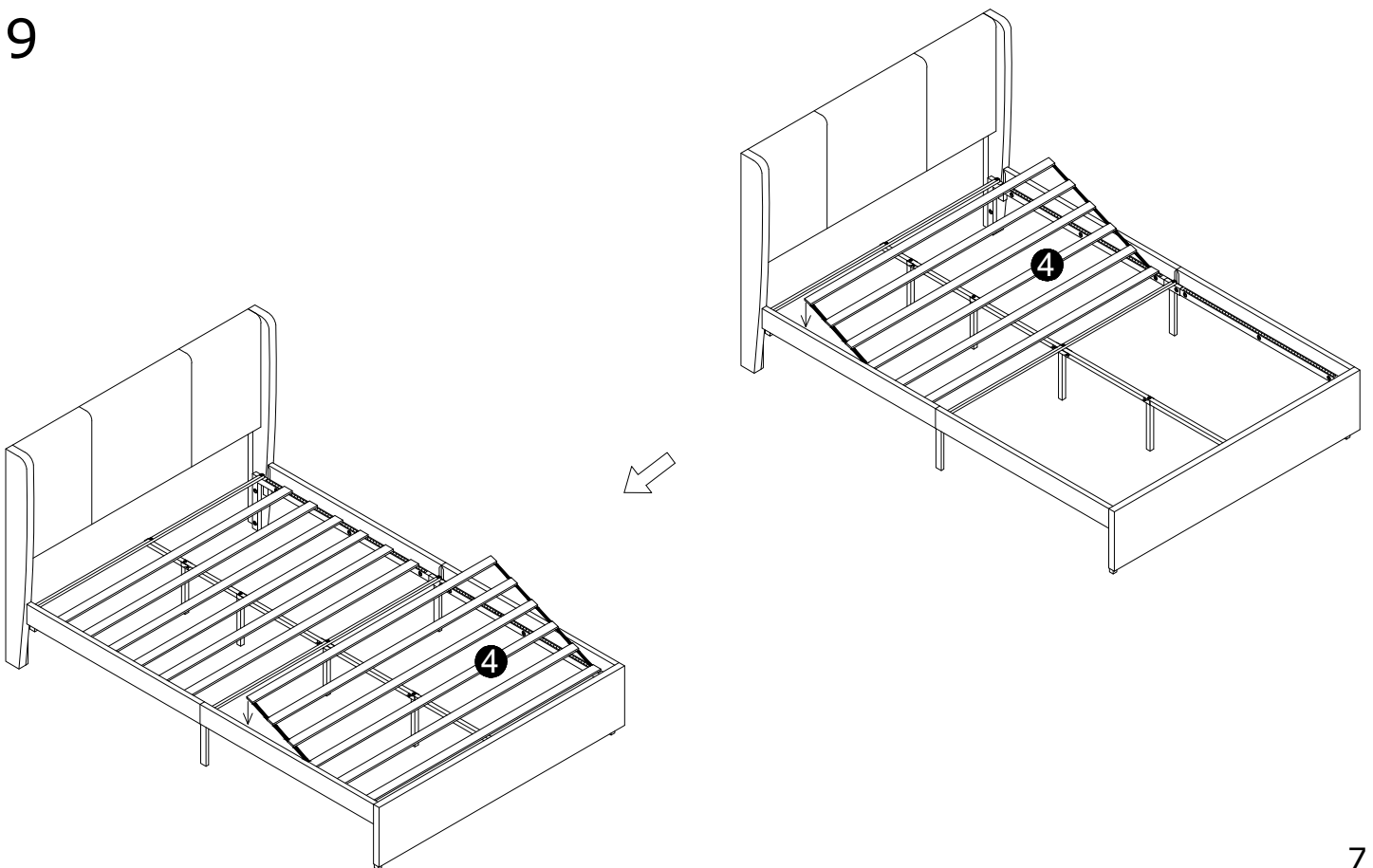
8

As shown in the diagram, align the screws with the corresponding holes and pre-fix them. Then, tighten each screw separately

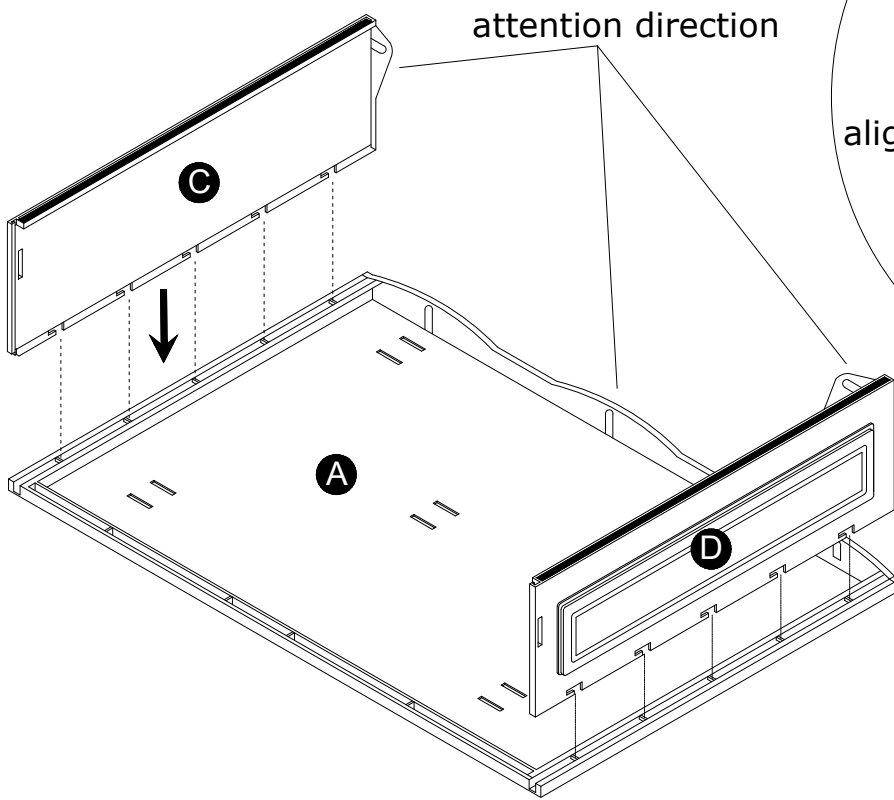


Before proceeding to the next step, Fully tighten step 6 and step 7 all fixings.

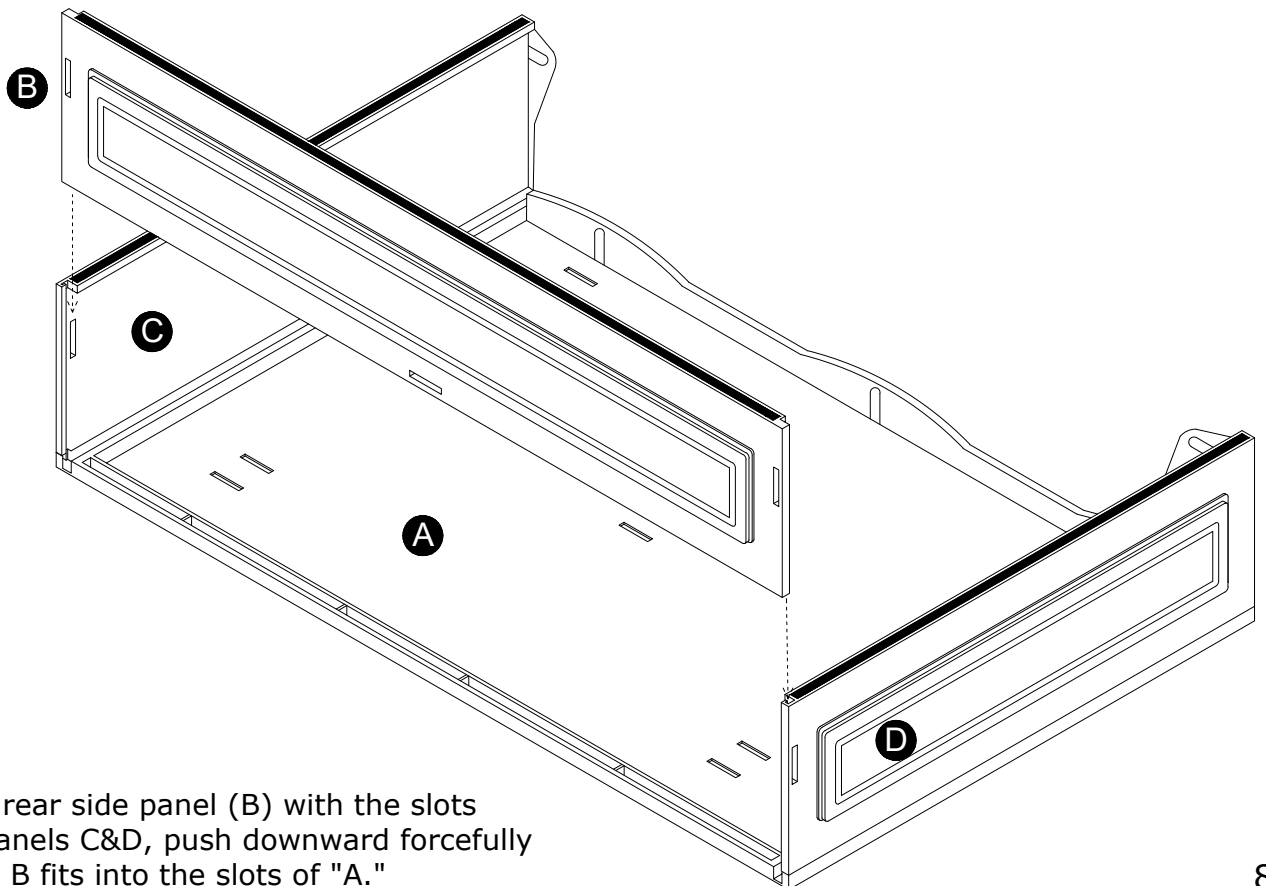
9



- 10** Put plastic baseboard (A) flat on the floor, assemble side baffles (C&D), following the assemble picture aligning them inward, ensuring all fit into all slots, and push forcefully until the side panels are flush with the baseboard.

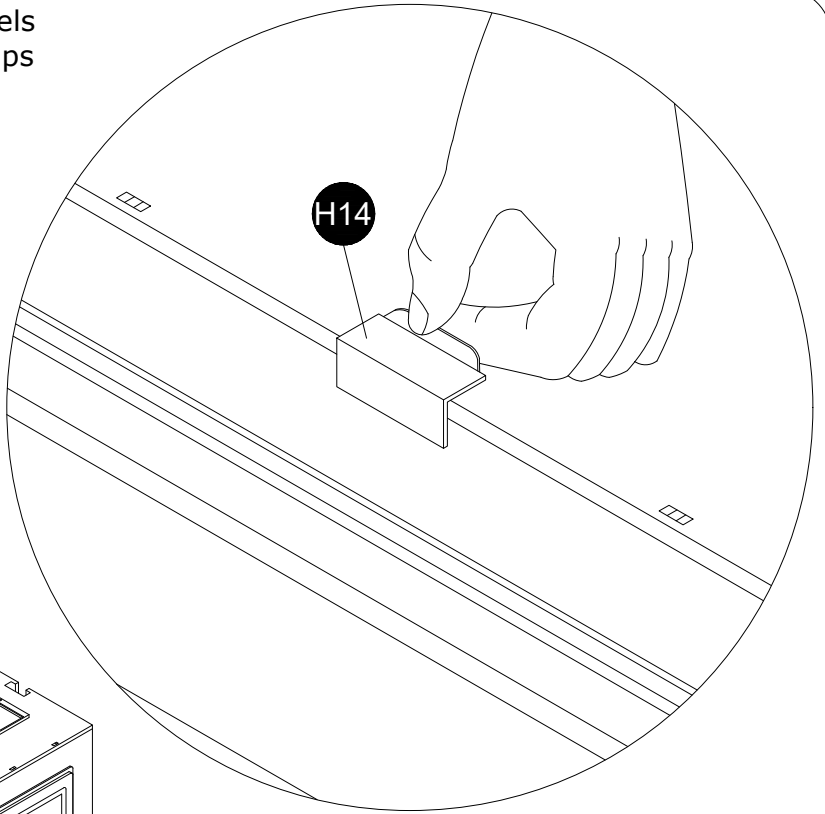
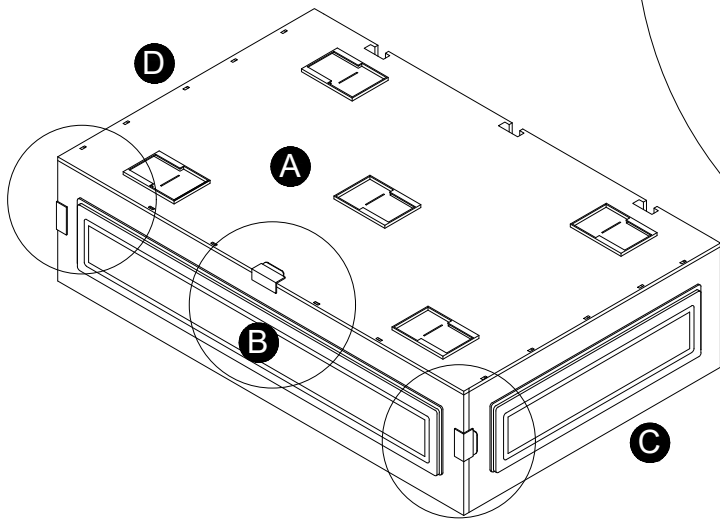


11

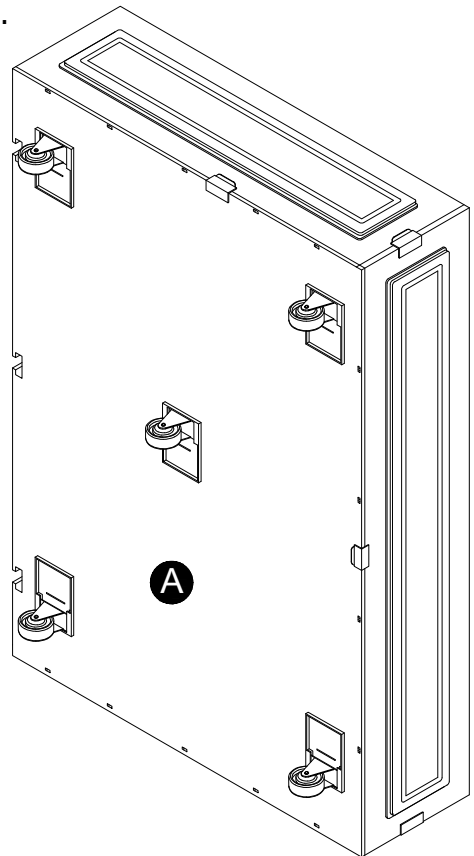
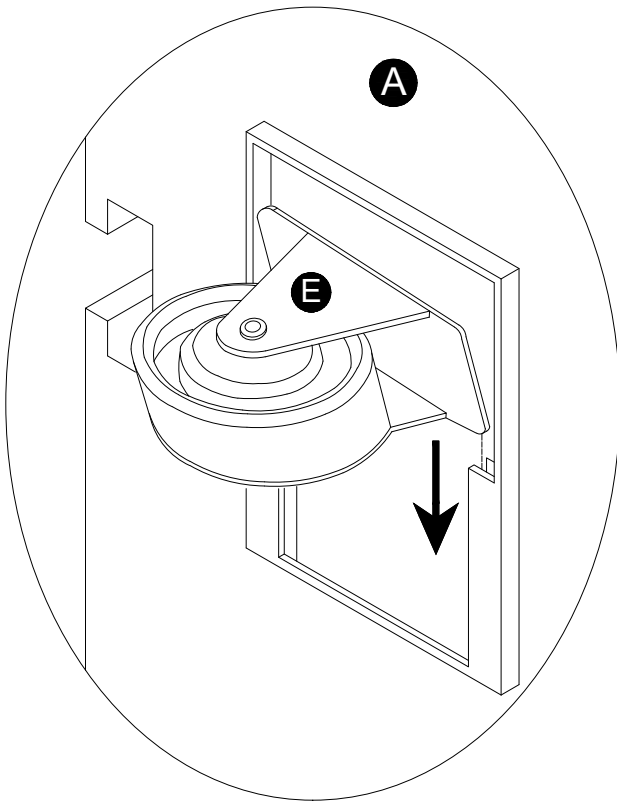


Align the rear side panel (B) with the slots on side panels C&D, push downward forcefully to ensure B fits into the slots of "A."

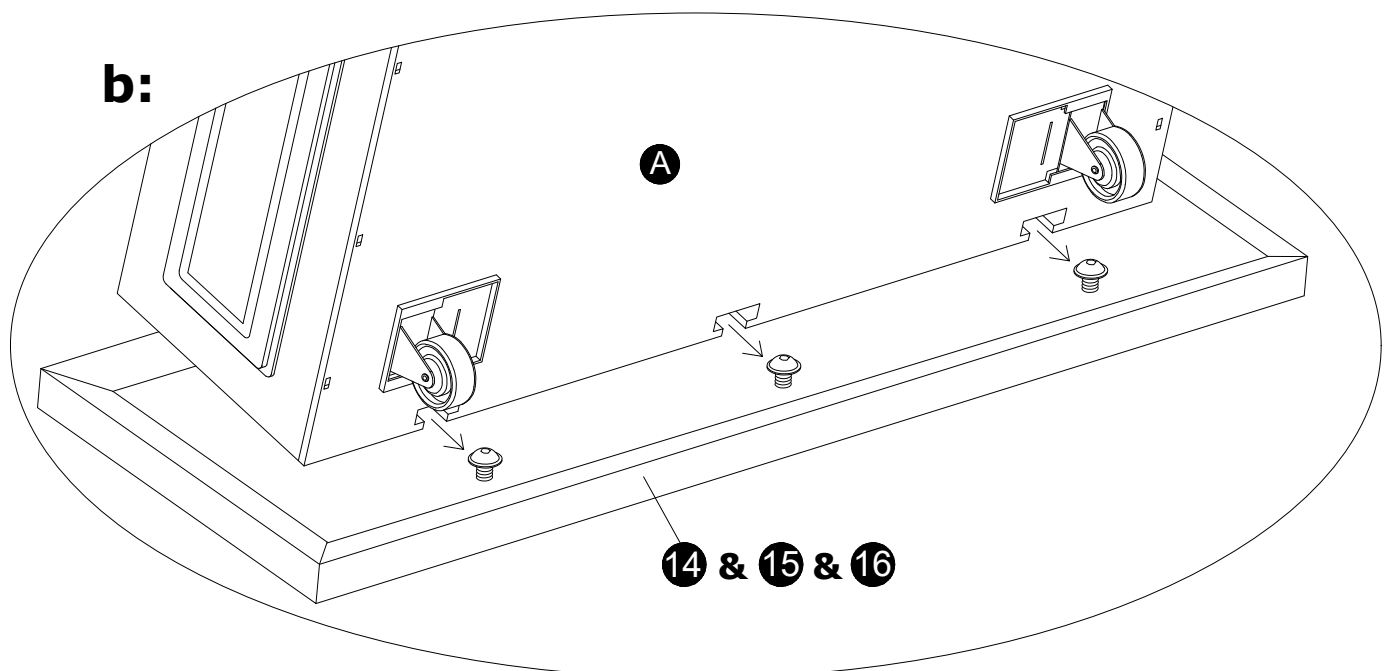
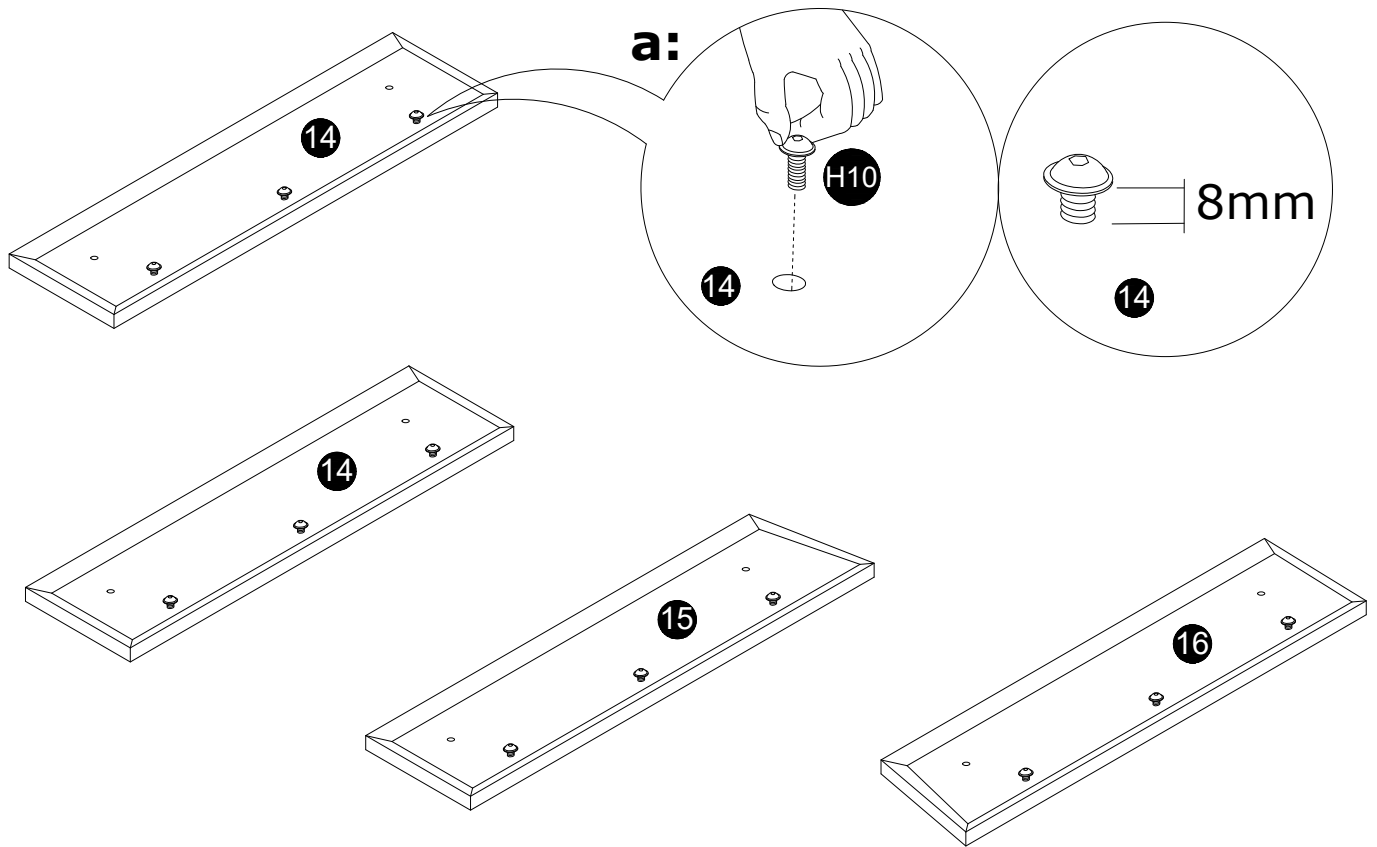
- 12** Take clip H14 and secure side panels D&B, B&C, and A&B, ensure the clips fully engage with the slots.



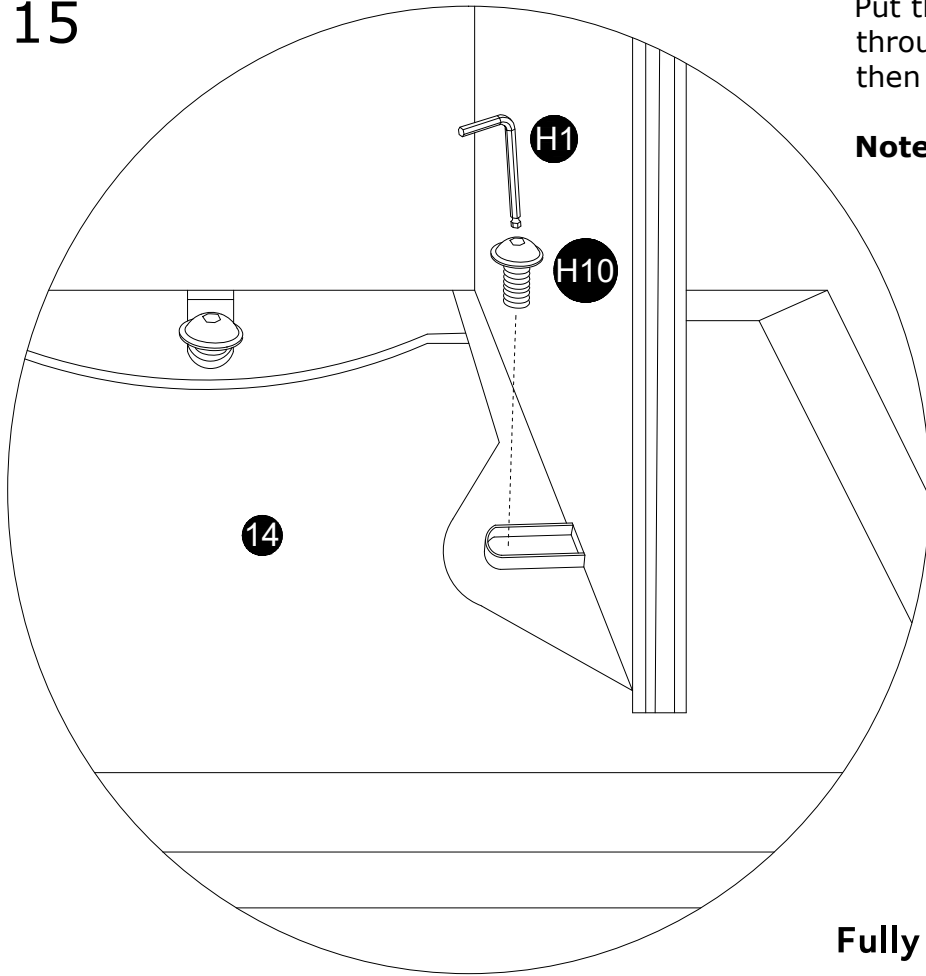
- 13** Install wheels "E" by forcefully pushing them into the slots; once pushed to the bottom, a protrusion will engage with the metal sheet to prevent them from easily coming off. All five part "E" wheels need to be installed correctly.



- 14** Take screw H10, first install it into drawer panel 14, panel 15 and panel 16, then screw in the bottom 3 screws partially leaving them protruding 8mm (for easy installation). Insert the drawer bottom A into the three screws of the panel, ensuring no distortion of the drawer and panel to prevent plastic parts from breaking during installation.

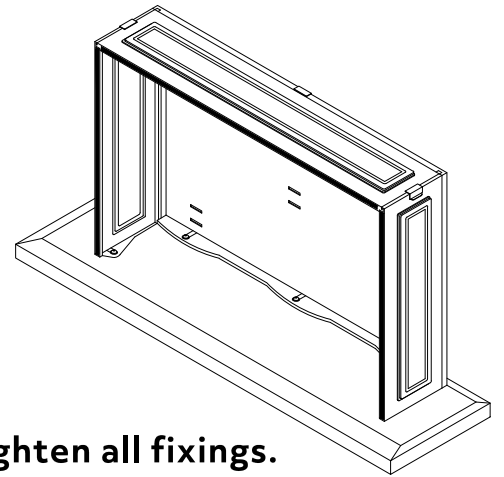


15



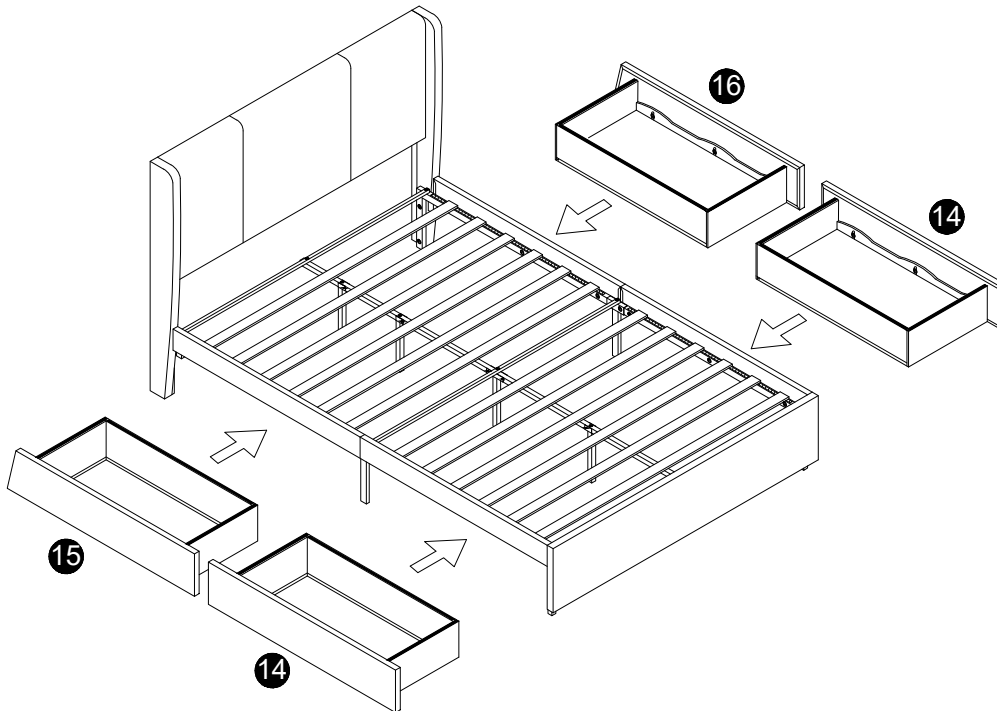
Put the drawer flat, install screw H10 through the holes in drawer sides C&D, then tighten all screws.

Note: Plastic drawers should not be installed with power tools; tightening manually is sufficient.



Fully tighten all fixings.

16



Job Complete !

In the interest of our environment please dispose of all packaging thoughtfully.