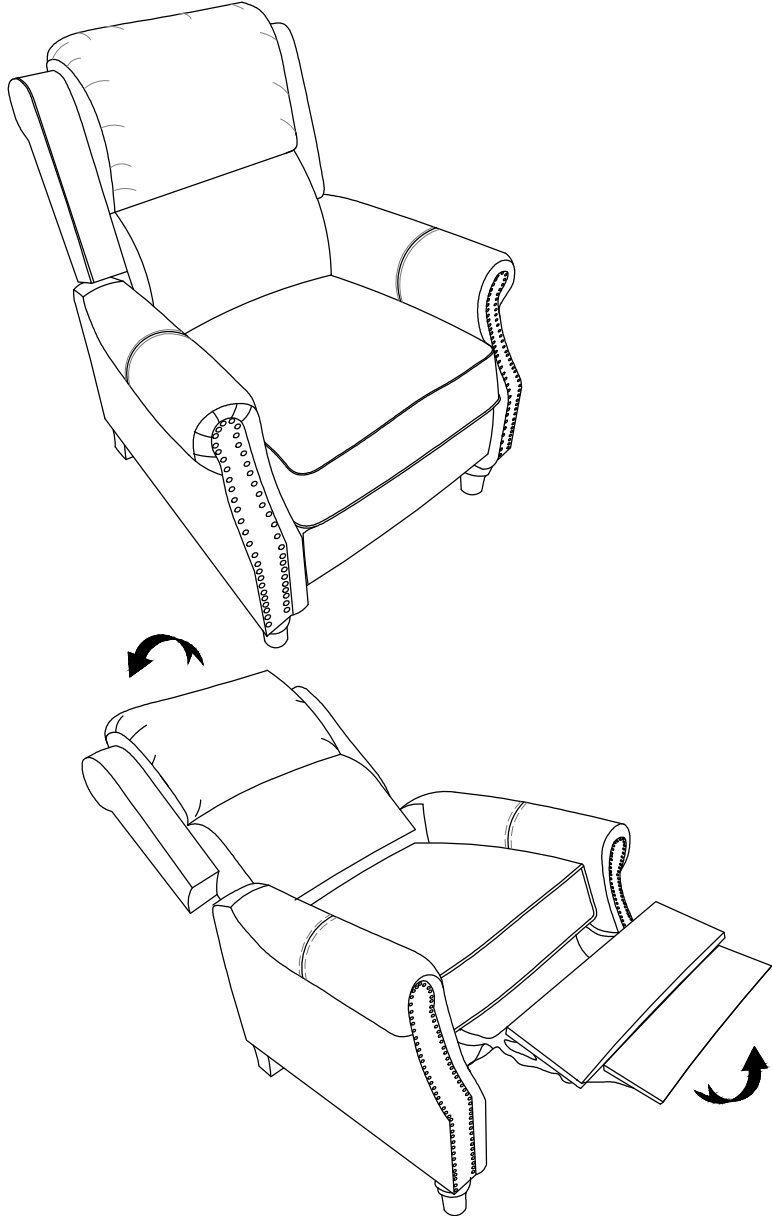


# User Manual

## Lean back to adjust the reclining angle

---



## Important Safety Instructions

---

When using an appliance, basic precautions should always be followed, including the following:

1. Do not use outdoors.
2. When moving the back, please ensure that there are no people, pets, or obstacles nearby, otherwise accidents such as collisions or crushing may occur.
3. Use this appliance only for its intended use as described in this manual. Do not use attachments not provided with the unit.

## Maintenance Instructions

---

### TO STORE:

Place unit in its box or safe, dry, cool place. Avoid contact with sharp edges or pointed objects which might cut or puncture the fabric.

### TO CLEAN:

1. Do not place in any liquid to clean. Clean fabric cover by wiping with a damp sponge, using a mild detergent or suds. Pat dry with clean, dry cloth.
2. Do not use abrasive cleaners, brushes, gasoline, kerosene, glass / furniture polish, paint thinner or water hotter than 120° to clean the unit.

## Warning

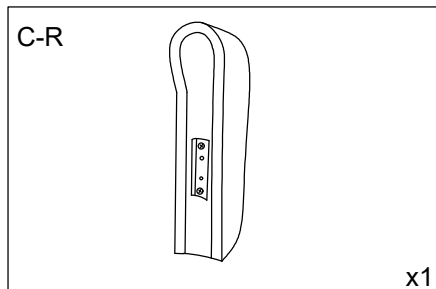
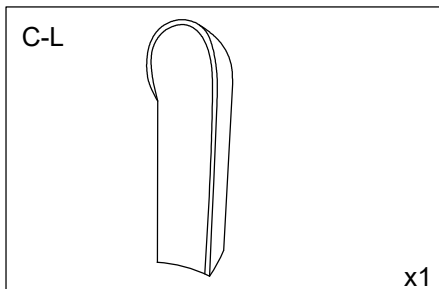
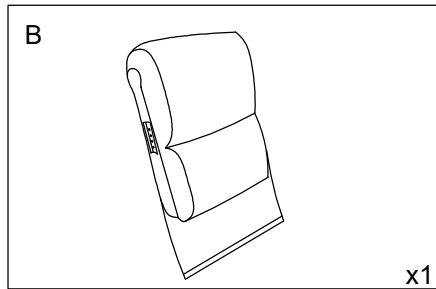
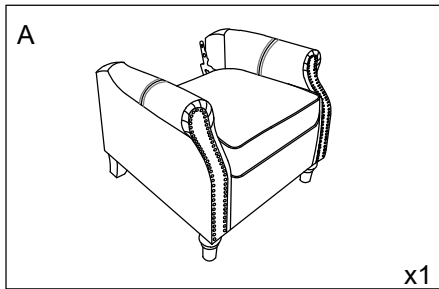
---

1. Do not stand on this chair. Do not use this chair as a step ladder.
2. Use this chair only for seating one person at a time.
3. Do not use this chair unless all bolts, back, and legs are firmly secured.
4. Check all bolts, arm, back and legs on a regular basis.
5. This chair should not be use with damaged or missing parts. Contact an authorized service provider to repair or replace parts damaged or missing.
6. Failure to follow these warnings could result in serious injury.

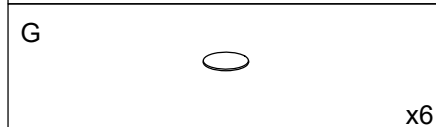
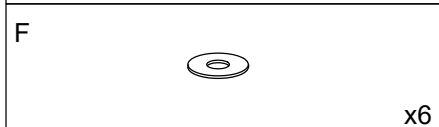
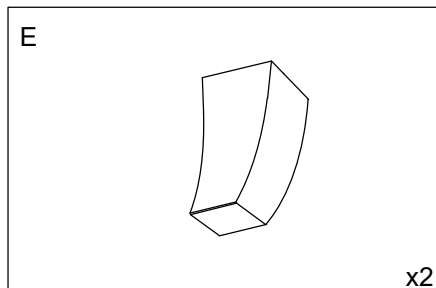
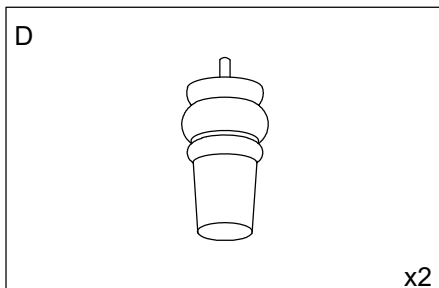
## Component List

### NOTICE:

The legs are placed in the small box under the chair bottom.



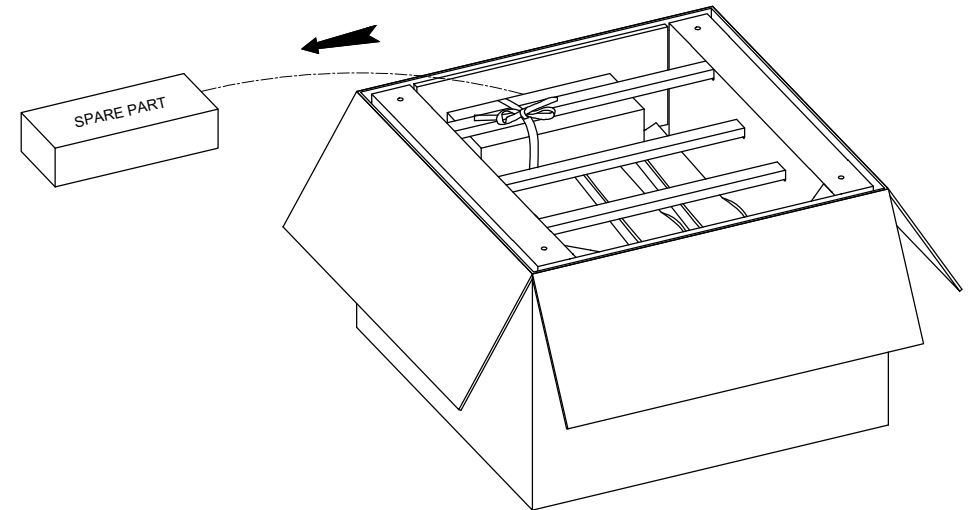
### IN THE SMALL BOX



## Assembly Instructions

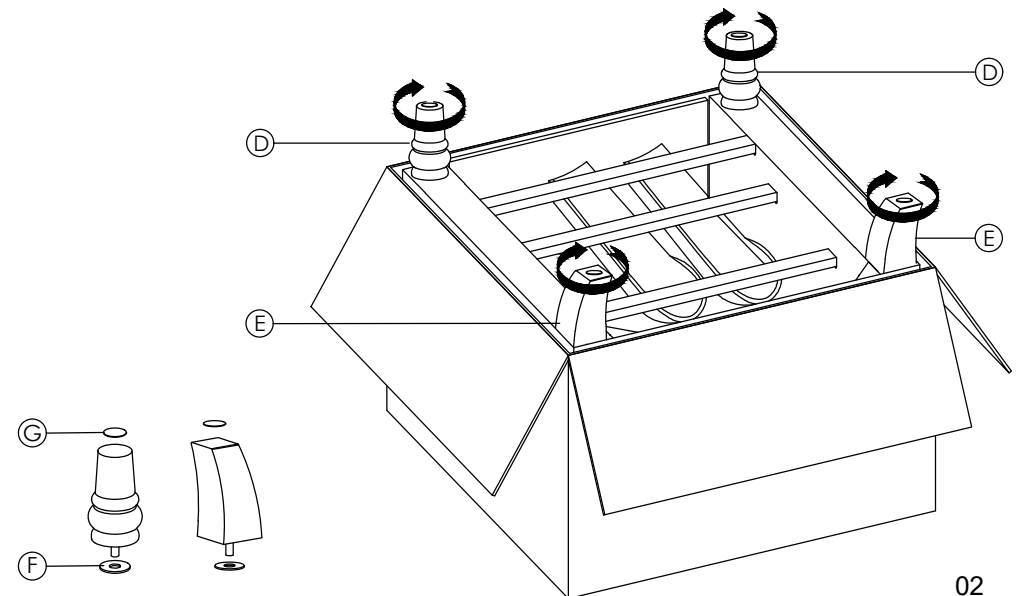
1

Open the box then remove the wing and small box at this position (see sketch as shown below) before assembly.



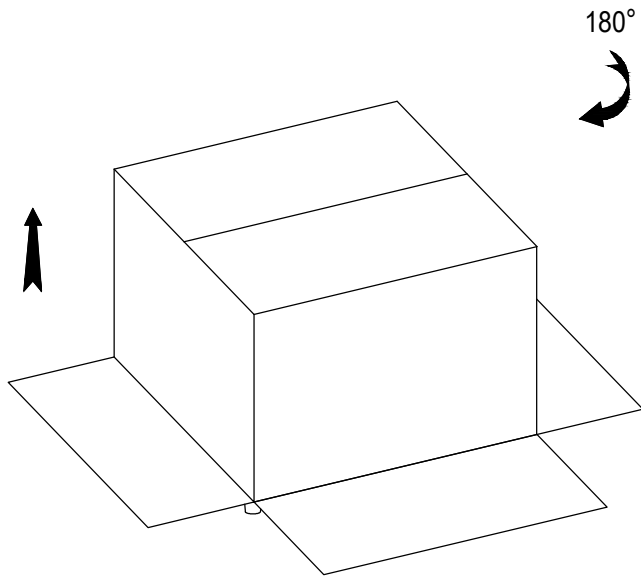
2

Open small box. Attach the legs



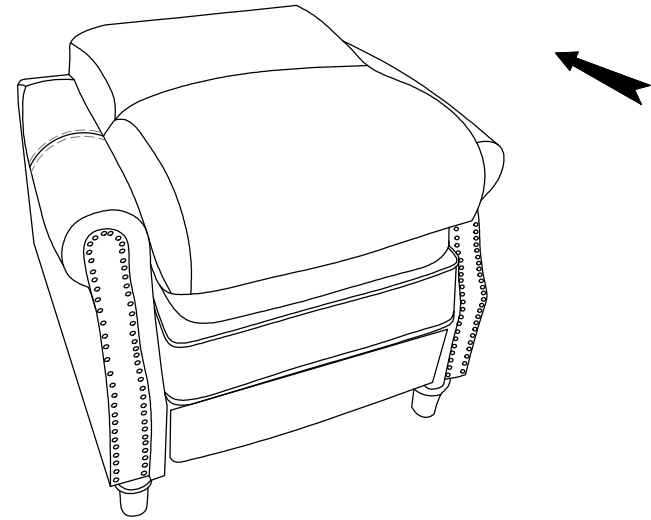
3

Turn over 180° the box and remove the box



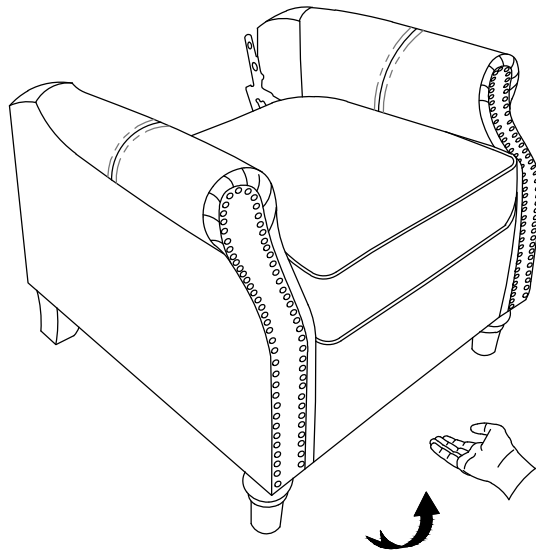
4

Take the backrest from seat



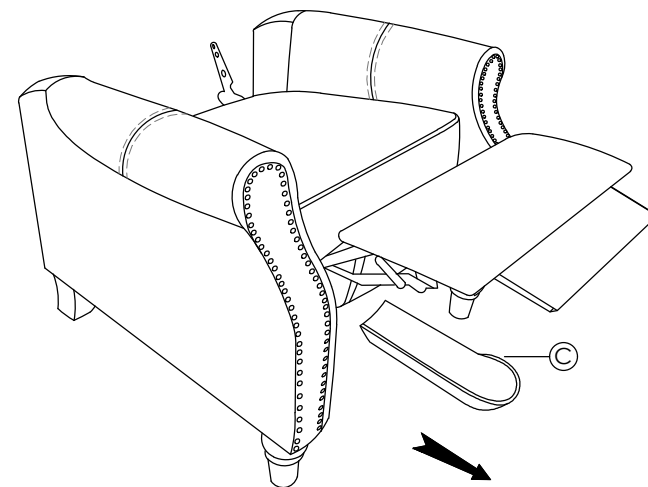
5

Moving the footrest



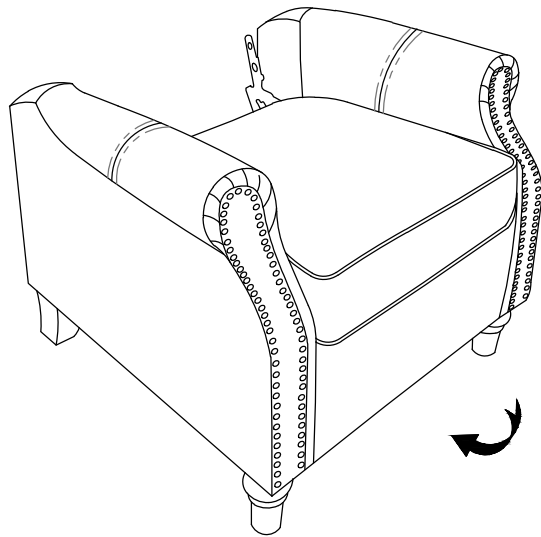
6

Take the wing under the chair bottom



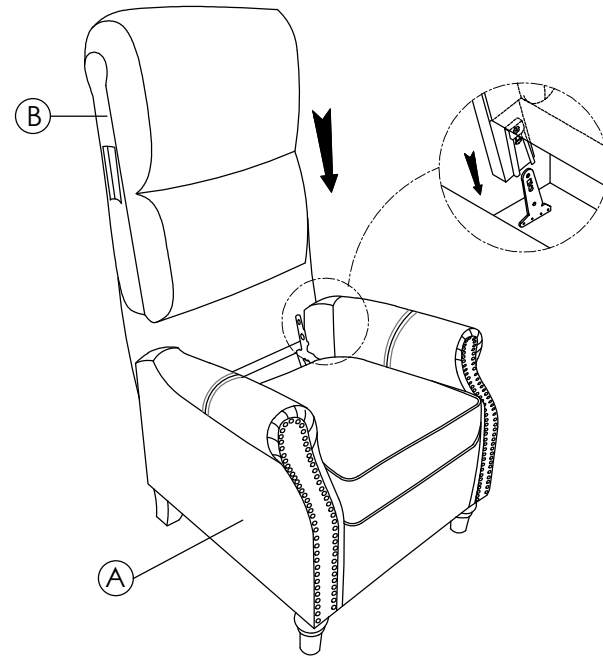
7

Closed the footrest



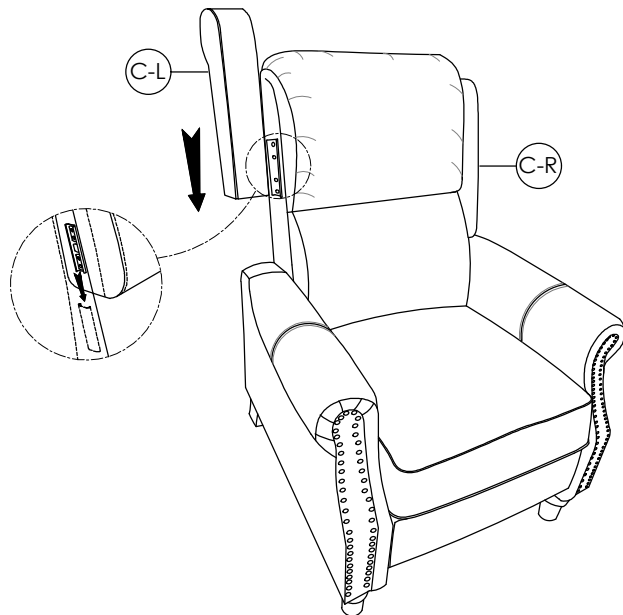
8

Get the backrest into the seat. Gently push down until the back locks into position.



9

Insert the left/right wing into the backrest gently push down until the back locks into position.



10

Attach the Velcro patch to the bottom of the seat.

