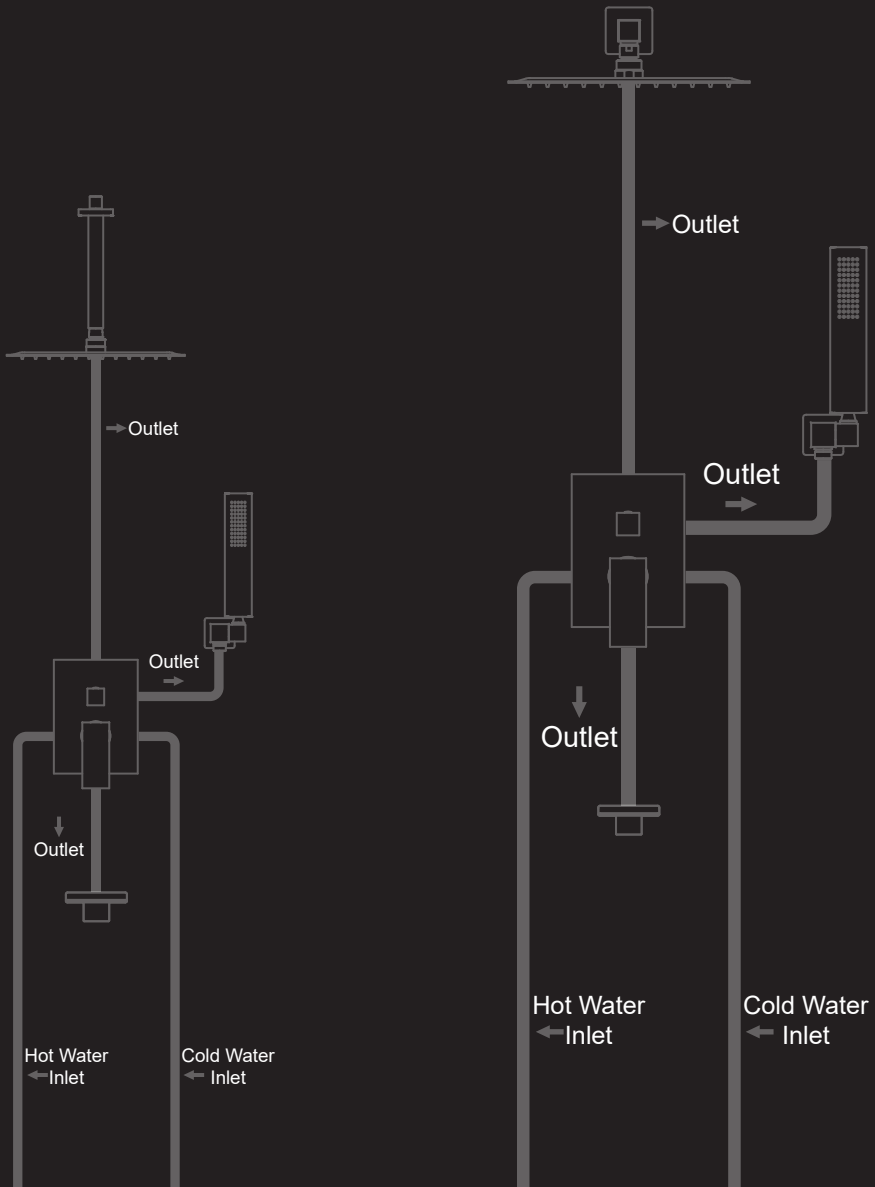


# Installation Manual

## 3-Way Wall Mounted Shower System



# 1. INSTALLATION PRECAUTIONS

1. When you open the product packaging, please check the product and accessories at first. If there is any discrepancy, please contact the company or our distributor immediately.
2. The hot and cold water supply pipe of the faucet must be properly connected. When facing the front of the faucet, the hot water supply is on the left and cold water supply is on the right. Incorrect connection will cause permanent damage to the cartridge.
3. If the accessories to be changed without affecting the use, we will not make a prior notice.
4. The impurities in the water supply pipe must be cleared before installation to avoid blockage.
5. The water pressure of the faucet is 0.05MPa -1.0MPa (including cold water and hot water pressure)  
Applicable water temperature range: 39°F- 194°F

## 2. PREPARATION BEFORE INSTALLATION

1. Please read the installation manual carefully before installation.
2. Installation work must be performed by a professional installer.
3. Installation tool :



Electric drill



Pencil



Screw drivers



Tape  
measure



Spirit level with horizontal  
and vertical indicators



Split ring pliers



Knife



Wrench



Sealant Tape

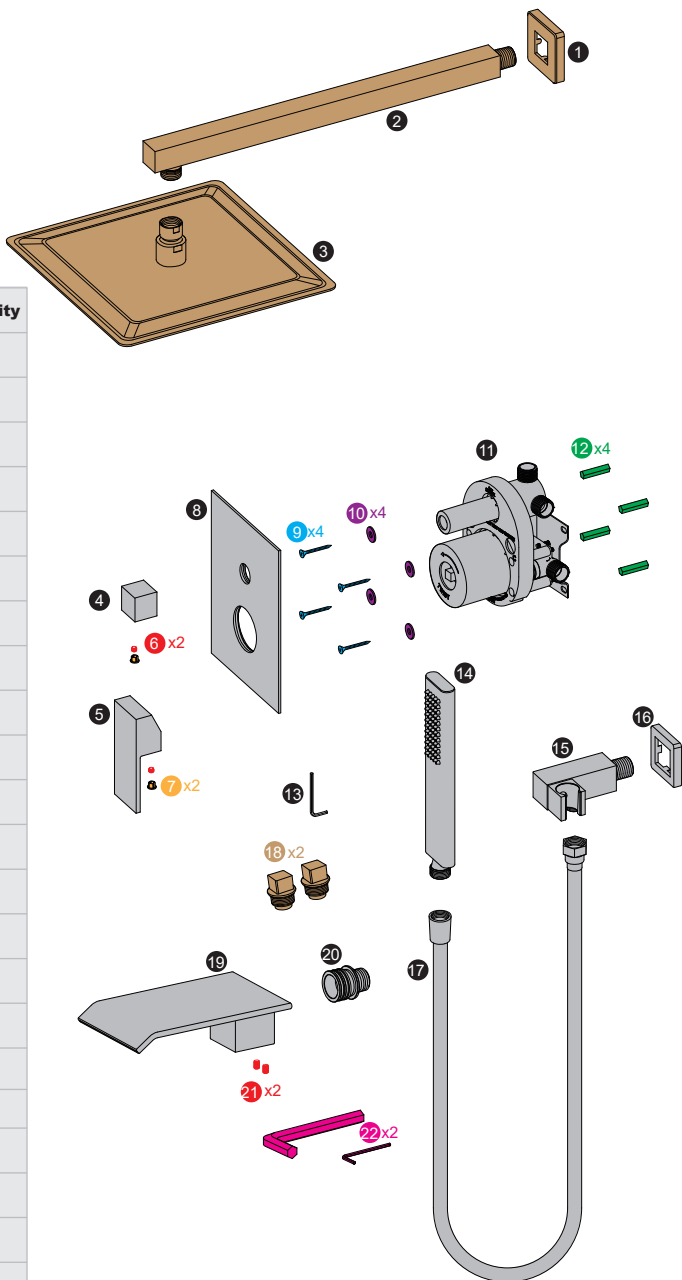


Hammer

# THREE FUNCTION CONCEALED FAUCET ACCESSORIES LIST

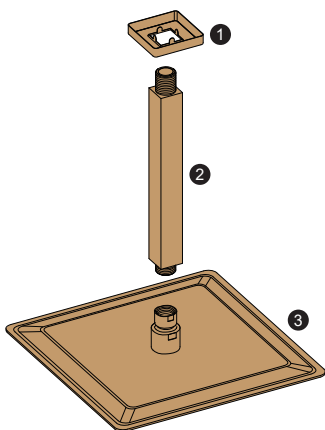
Wall mounted shower system

NO.	Name	Quantity
1	Cover	1pcs
2	Shower arm	1pcs
3	Shower head	1pcs
4	Knob	1pcs
5	Handle	1pcs
6	Hexagon screw	2pcs
7	Handle button	2pcs
8	Faceplate	1pcs
9	Screws	4pcs
10	Metal washer	4pcs
11	Shower valve body	1pcs
12	Plastic screw sleeve	4pcs
13	Allen Key	1pcs
14	Hand shower	1pcs
15	Shower holder	1pcs
16	Cover	1pcs
17	Shower hose	1pcs
18	Plastic stopper	2pcs
19	Waterfall spout	1pcs
20	Connector	1pcs
21	Hexagon screw	2pcs
22	Plastic stopper	2pcs

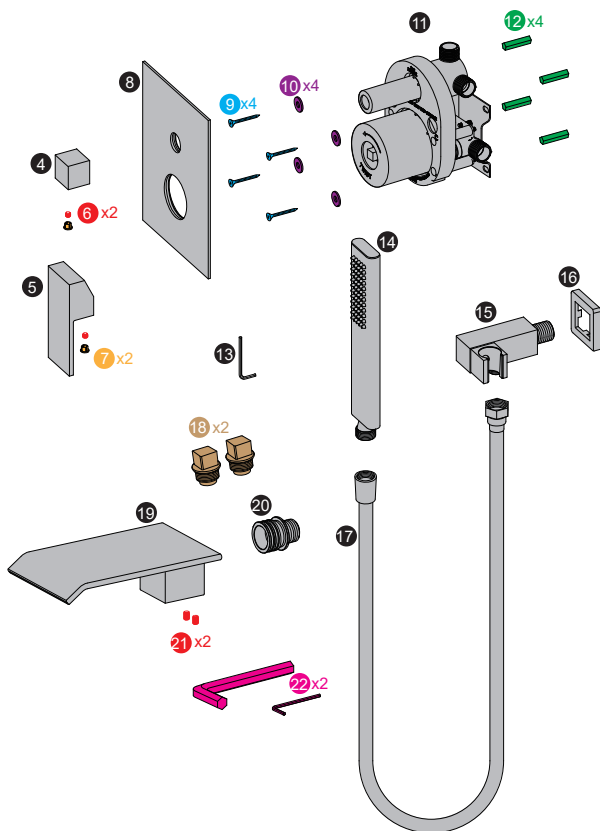


# THREE FUNCTION CONCEALED FAUCET ACCESSORIES LIST

## Ceiling mounted shower system

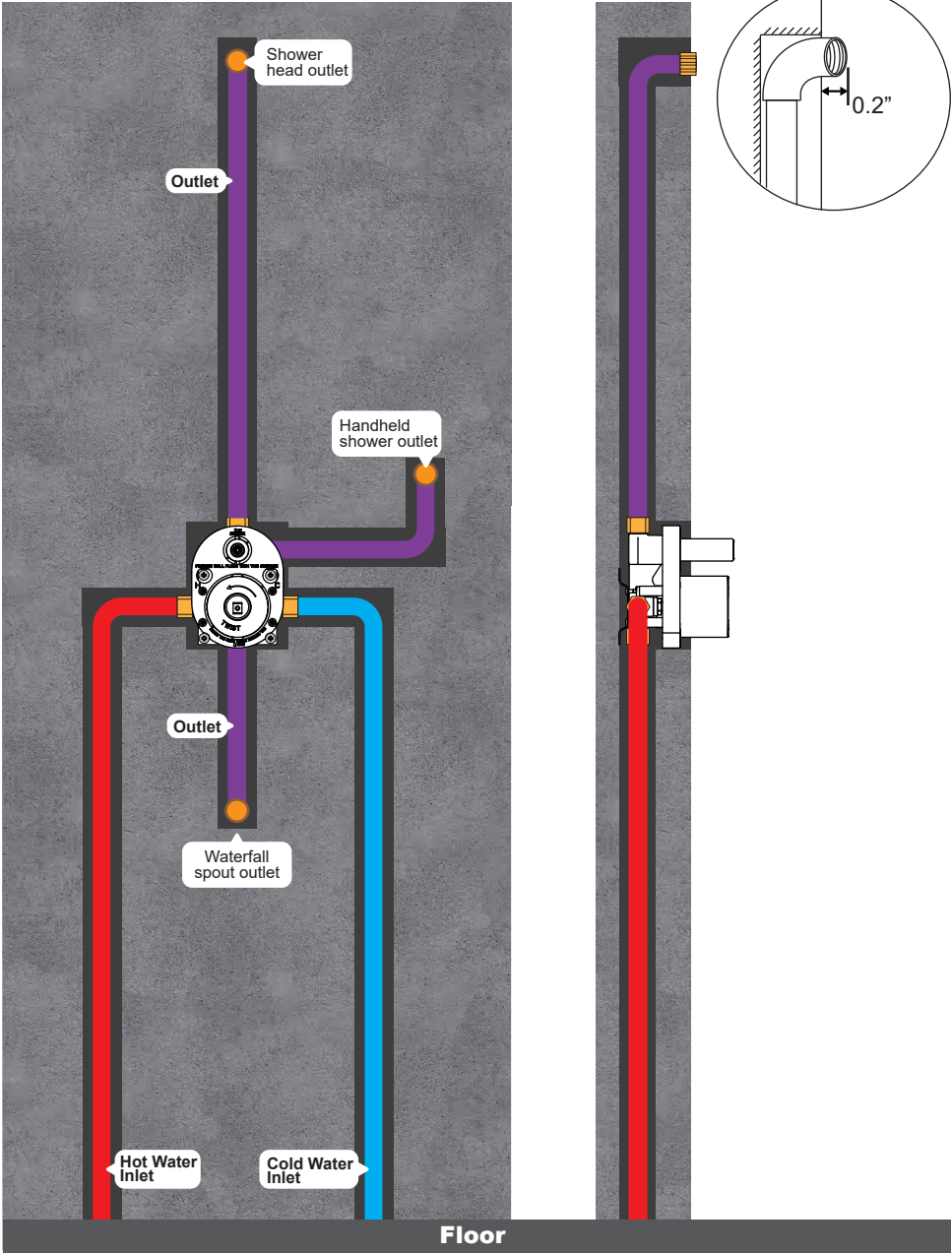


NO.	Name	Quantity
1	Cover	1pcs
2	Shower arm	1pcs
3	Shower head	1pcs
4	Knob	1pcs
5	Handle	1pcs
6	Hexagon screw	2pcs
7	Handle button	2pcs
8	Faceplate	1pcs
9	Screws	4pcs
10	Metal washer	4pcs
11	Shower valve body	1pcs
12	Plastic screw sleeve	4pcs
13	Allen Key	1pcs
14	Hand shower	1pcs
15	Shower holder	1pcs
16	Cover	1pcs
17	Shower hose	1pcs
18	Plastic stopper	2pcs
19	Waterfall spout	1pcs
20	Connector	1pcs
21	Hexagon screw	2pcs
22	Plastic stopper	2pcs

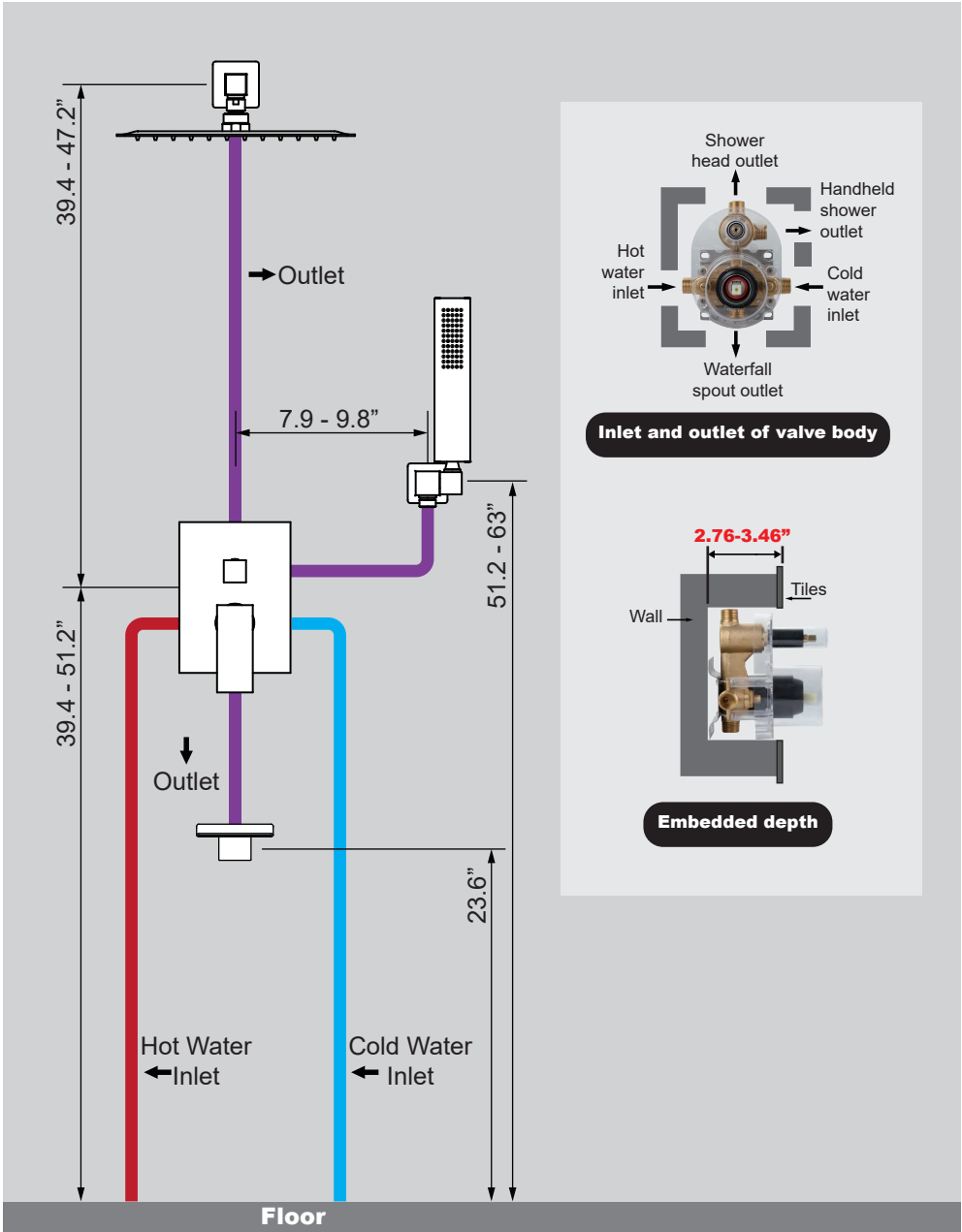


# PIPE CONNECTION

Wall mounted shower system

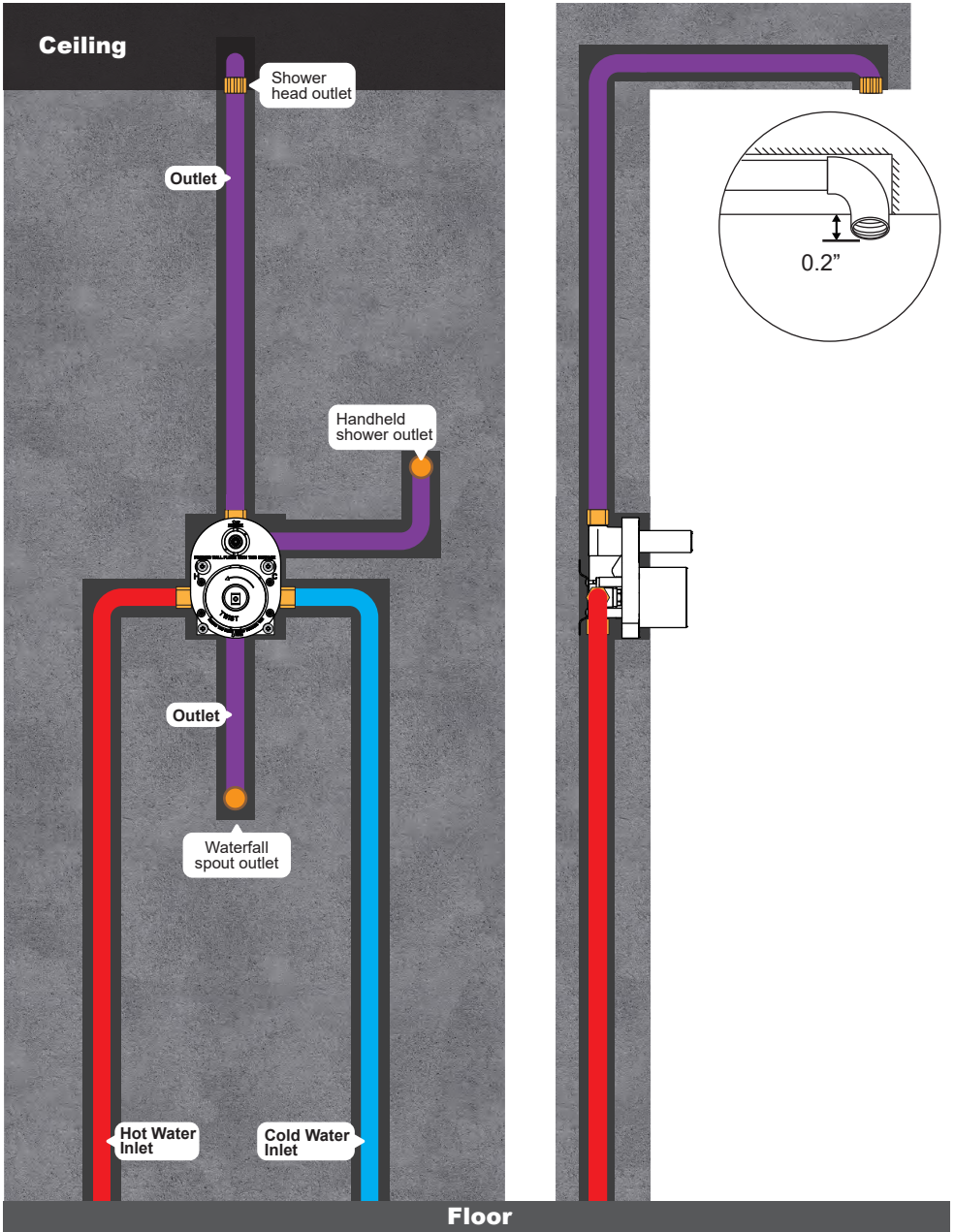


# RECOMMENDED DISTANCE FOR INSTALLATION.

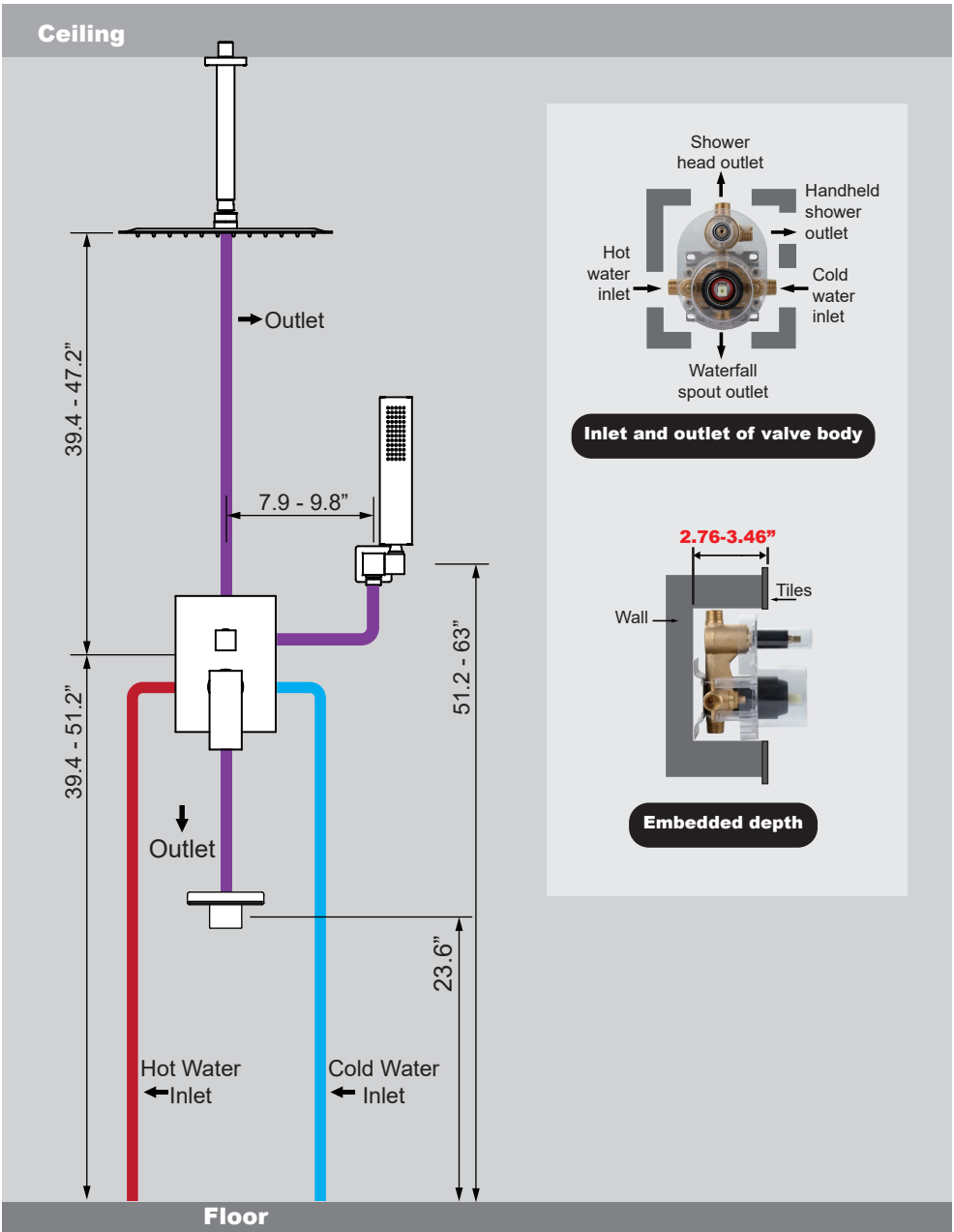


# PIPE CONNECTION

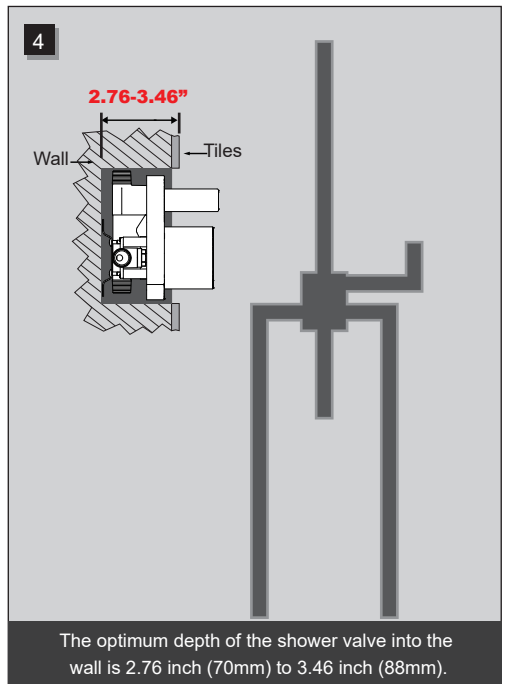
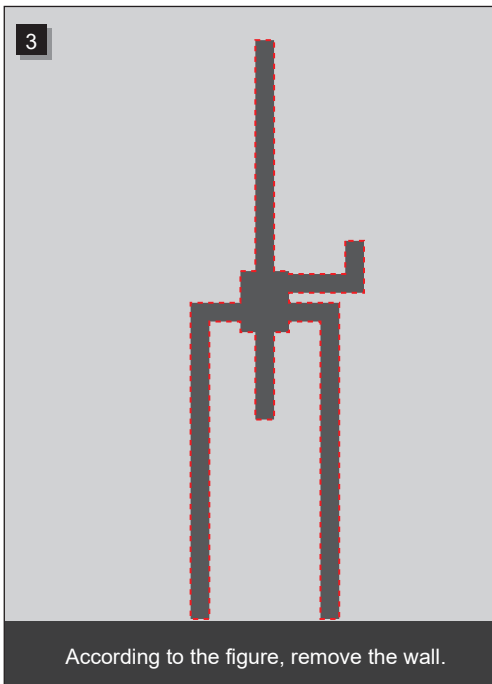
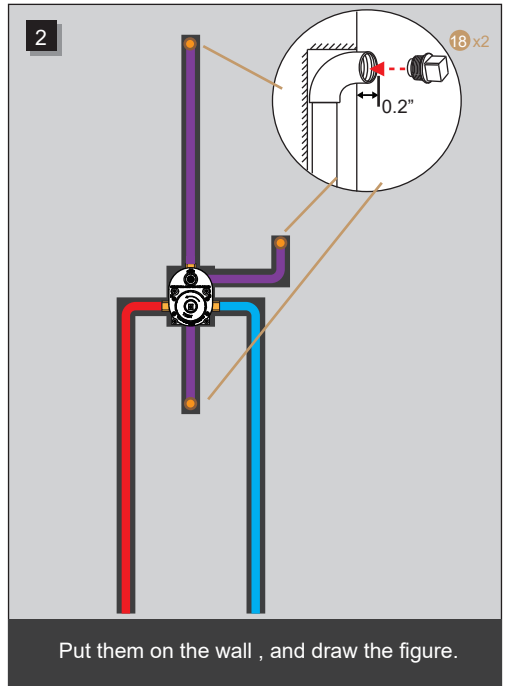
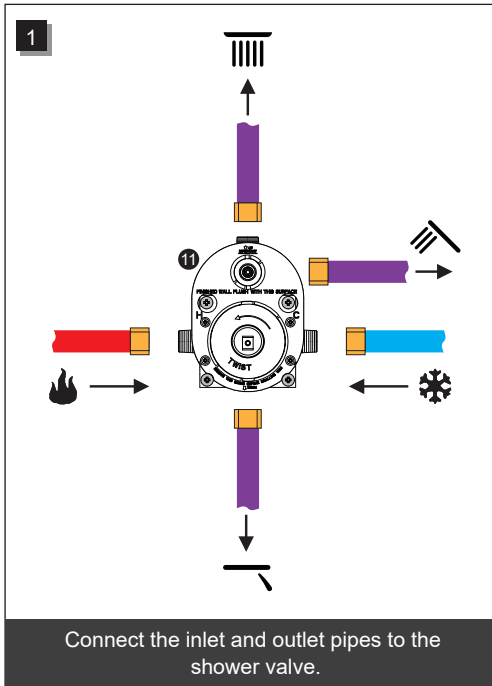
## Ceiling mounted shower system



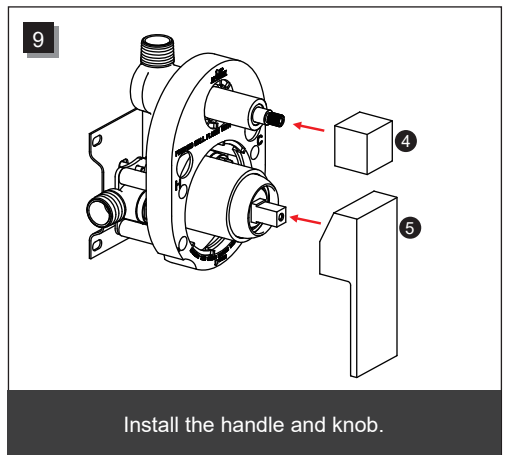
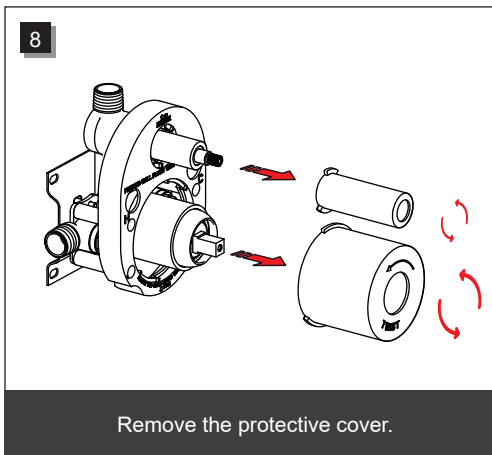
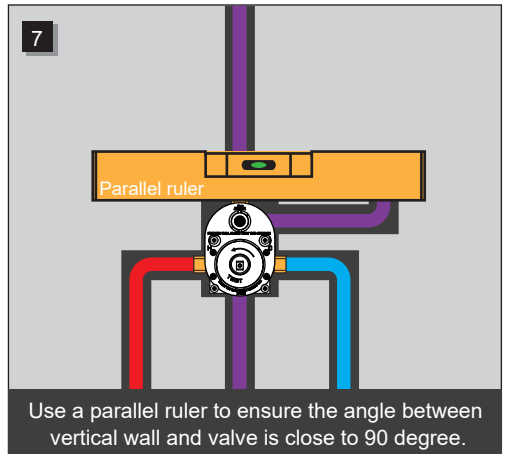
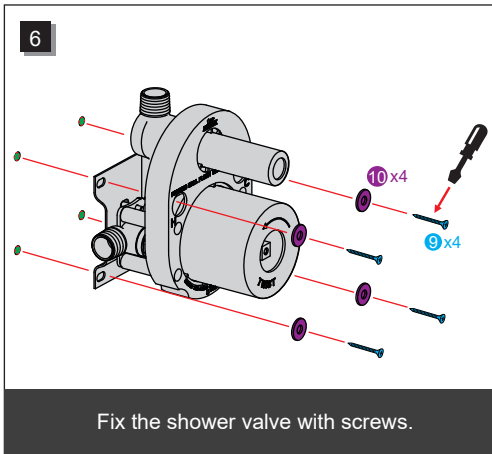
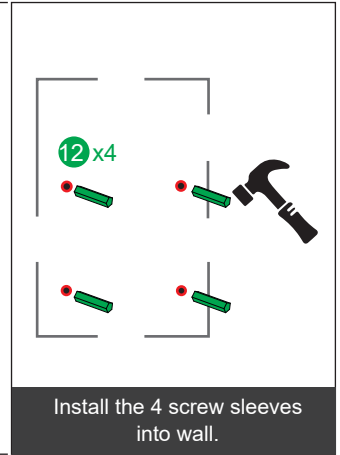
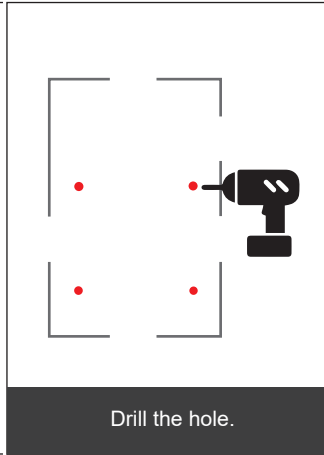
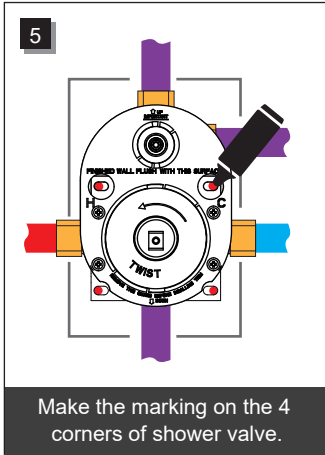
# RECOMMENDED DISTANCE FOR INSTALLATION.



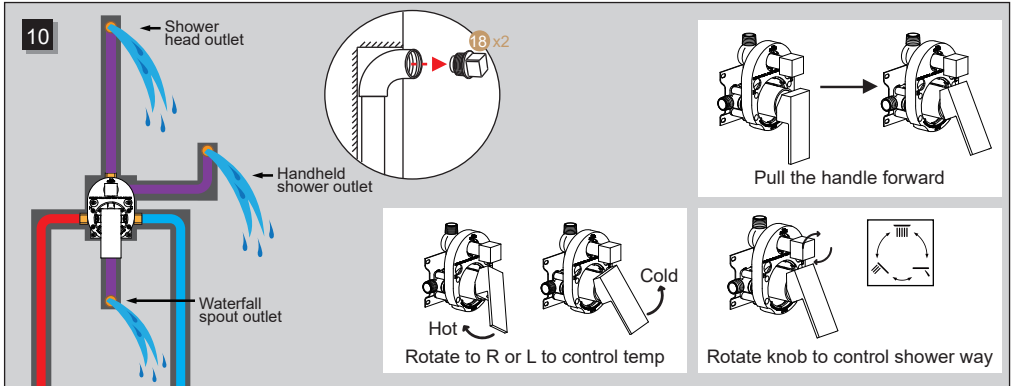
# Installation Process



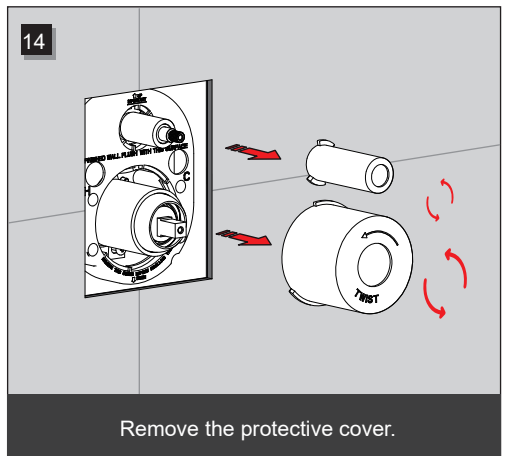
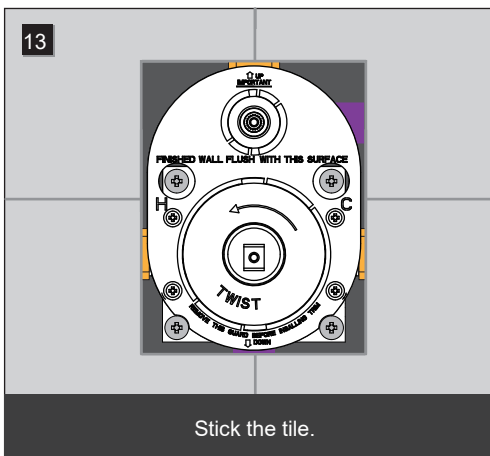
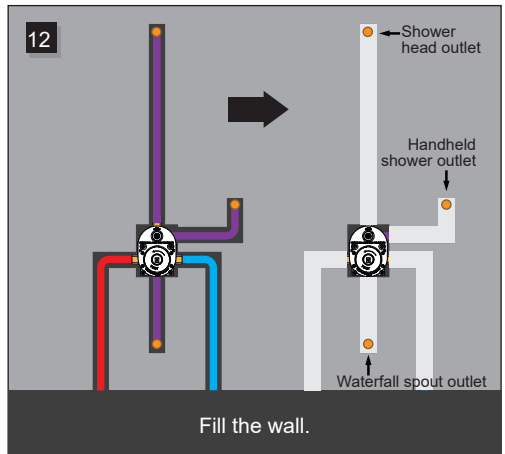
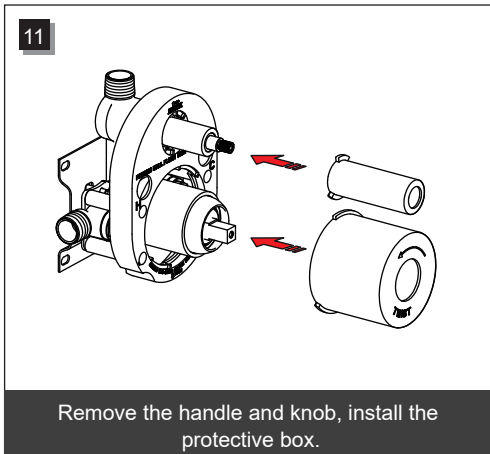
# Installation Process



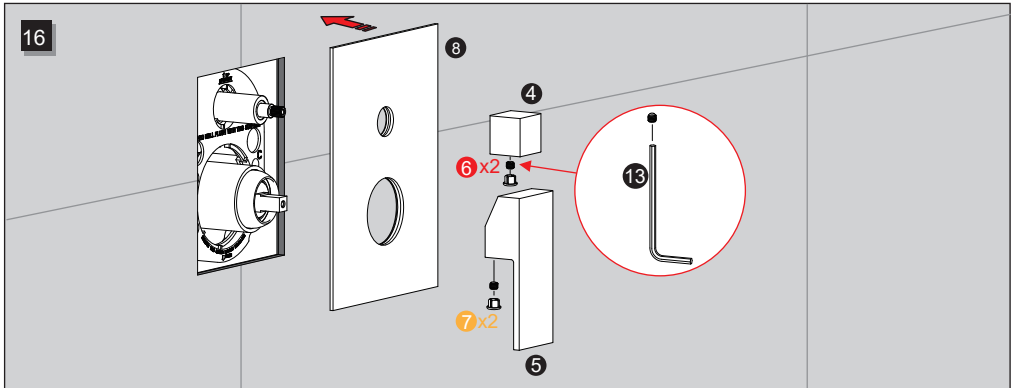
# Installation Process



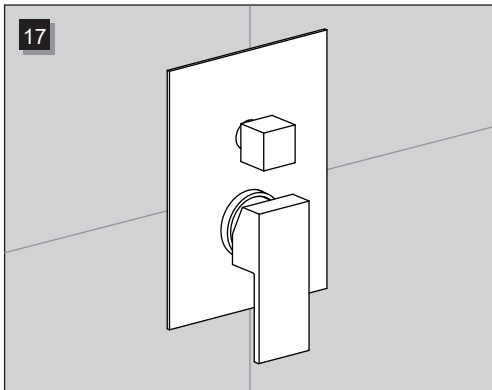
Remove the two stoppers, operate the handle and knob to test if the water pressure is appropriate. Plug all stoppers after test.



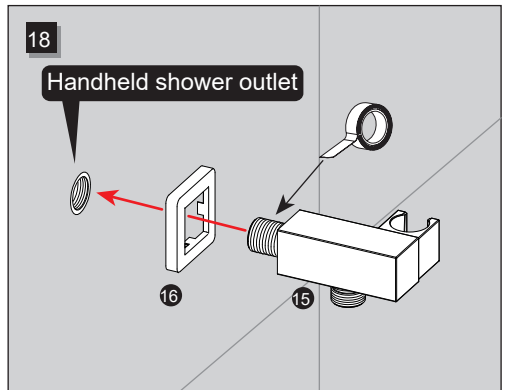
# Installation Process



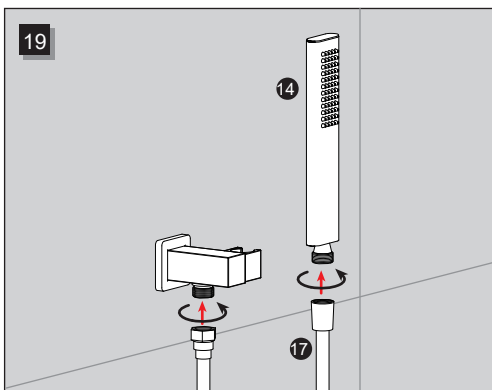
Install the faceplate, knob and handle in sequence.



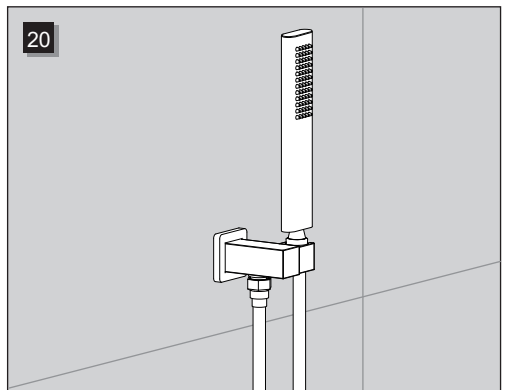
Mixing valve installation completed



Install the cover, shower holder in sequence.

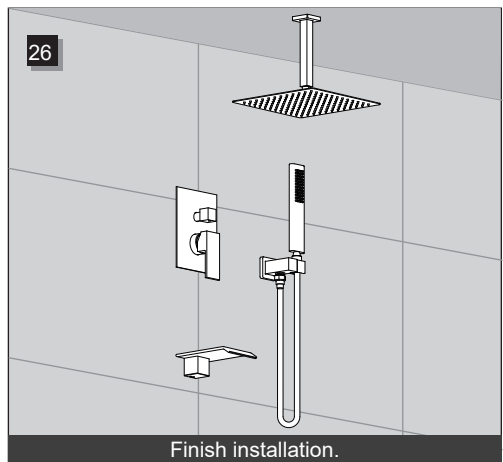
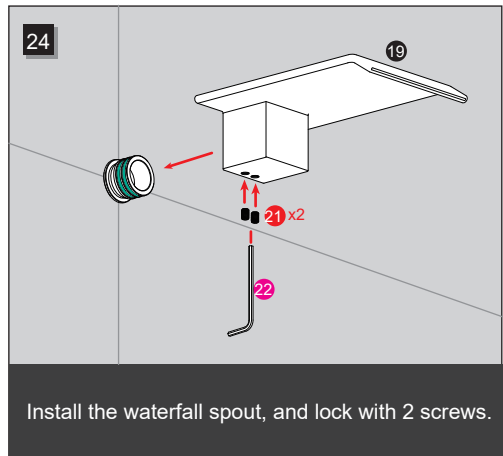
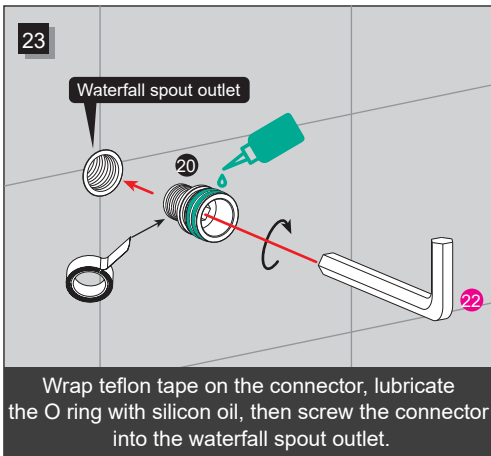
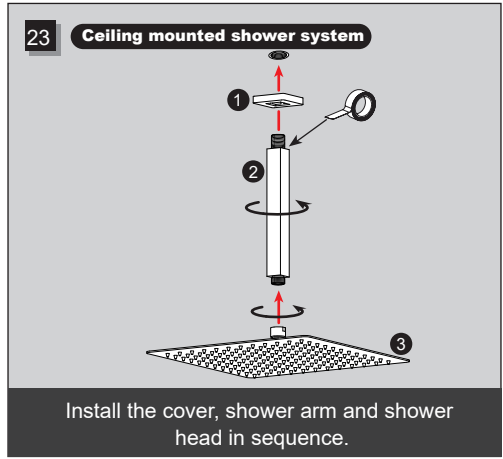
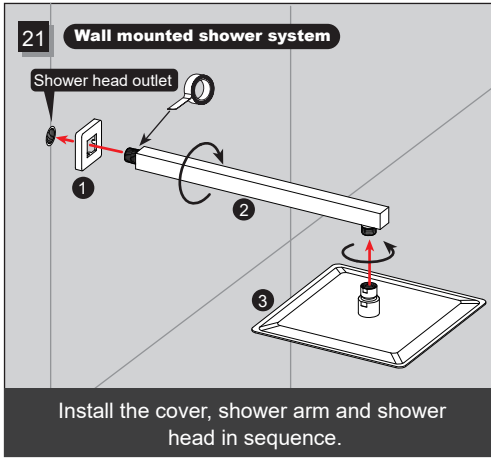


Install the hand held shower and shower hose



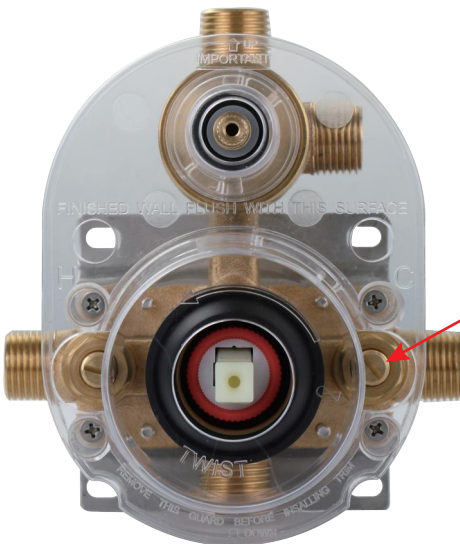
Hand held shower installation completed

# Installation Process



# ADJUSTMENT OF CHECK VALVES

The outlet water adjusting device of the left and right sides, it can adjust the water flow rate and close outlet water function when you need to repair/change cartridge.



*It can close water when you screw clockwise slotted screwdriver on both sides.*

**Note:** If only close one side that it will cause faucet abnormal outlet water, for normal outlet water please make sure the adjusting position on both sides is open (counterclockwise to open).



## **CLEANING AND MAINTENANCE**

**Please follow the cleaning material manufacturer's instructions. In addition, pay attention to the following points:**

- 1** Regular cleaning can prevent mineral build up on shower head and handheld shower.
- 2** Use a mild detergent such as liquid dishwashing soap and warm water for cleaning.
- 3** Do not use abrasive / harsh chemical when cleaning the fixture as they will damage and dull the finish.
- 4** Carefully read the cleaner product label to ensure the cleaner is safe for use on the material.
- 5** Test the cleaner on a small area before using on the entire surface.
- 6** Do not leave the cleaner on the fixture longer than necessary.
- 7** When using spray cleaners, spray first onto a soft cloth or sponge. Never spray directly onto the faucet as droplets can enter openings and gaps and cause damage.
- 8** After cleaning, rinse thoroughly with clean water to remove any cleaner residue.