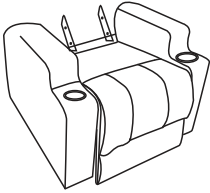


USE AND MAINTENANCE

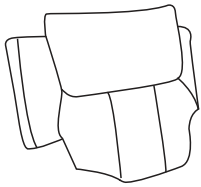
- Use on level surfaces only
- Because this product needs assembly, it is prone to working itself loose from time to time depending on the use. Please take the time to check that all connections are still tight and working properly for safety.
- Only clean using a damp cloth and mild detergent, do not use bleach or abrasive cleaners.

Kids Recliner

PART LIST



A - Chair Base x1



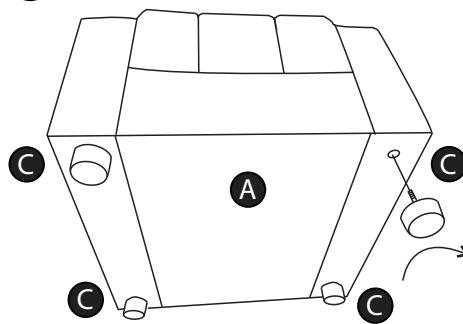
B - Back x1



C - Leg x4

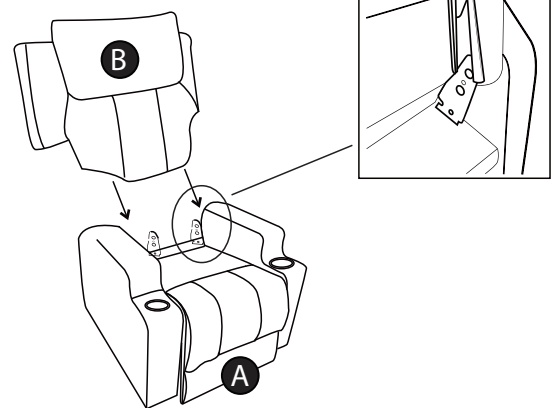
Assembly Instructions

①



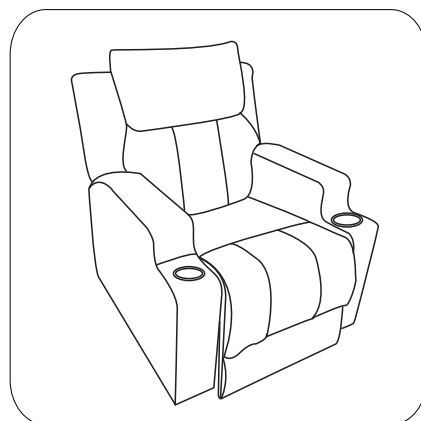
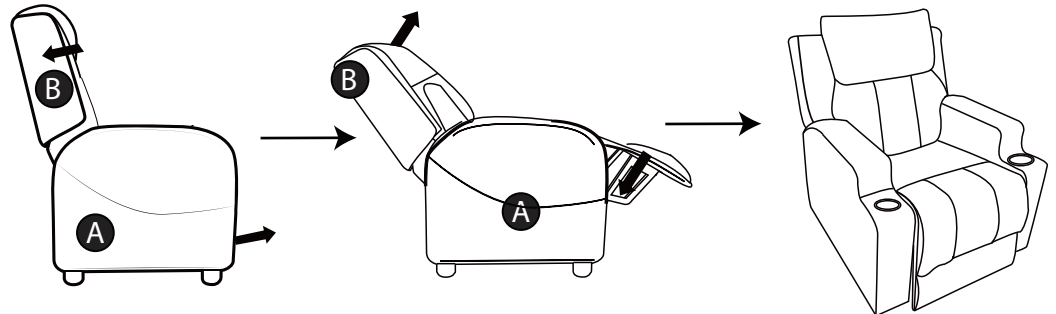
Install C(x4) into A .

②



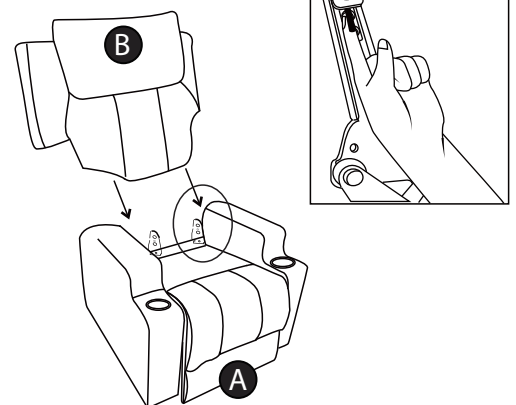
Fasten clamps of B on the rods of A .

③



Congratulations! Setup of your new Kids Recliner is Complete! Keep these instructions for future reference.

TO REMOVE



Open fabric flap, press button on hardware and slide backrest up.

If you need help or have damaged or missing parts, contact customer service.