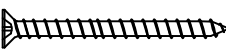




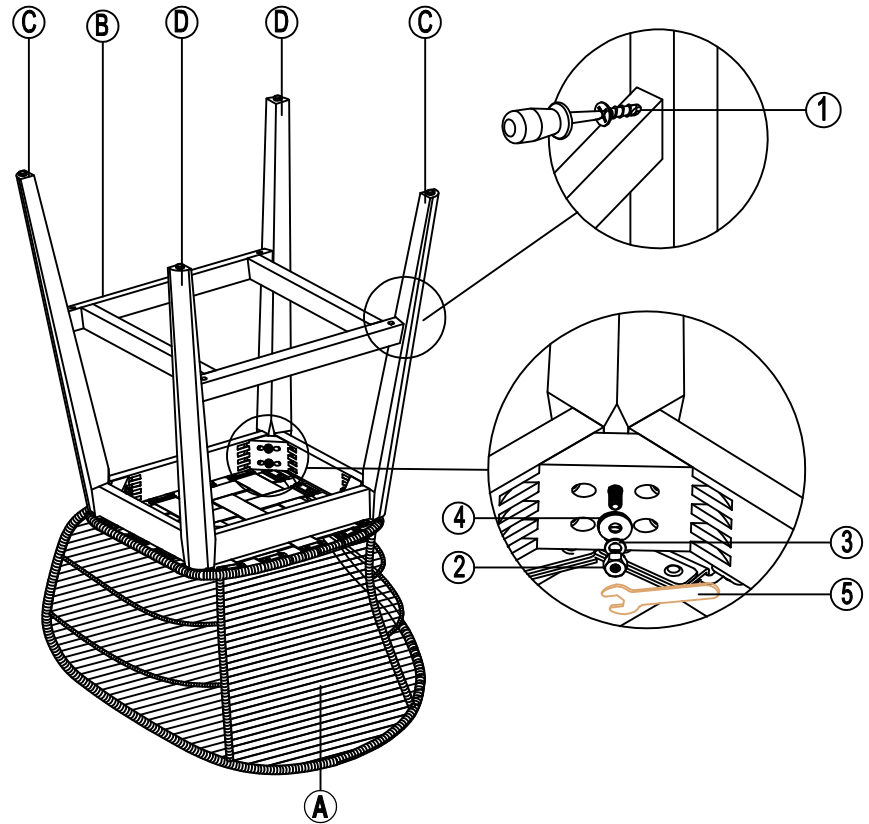


LIST OF HARDWARE

No	HARDWARE	QTY.
1	C-Screw 	04
2	Nuts 	08
3	S.S Spring Washer 	08
4	S.S Washer 	08
5	Spanner 	01

Step 1:



Step 2:

