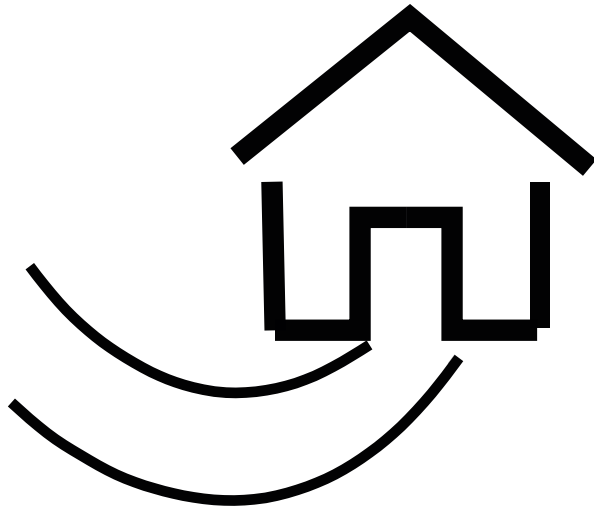


HAPPINESS INSTALLATION



CAUTION

Parts are placed at the bottom of the product.

- If you have any questions with the product, please contact us by:
- **Email: customerservice@zoy-living.com**
(we will reply to you within 24 hours)

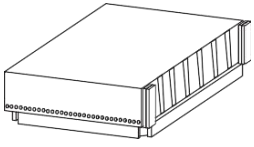
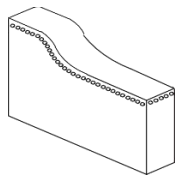
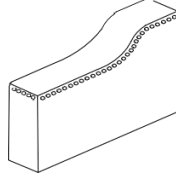
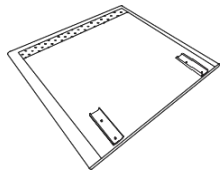
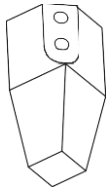
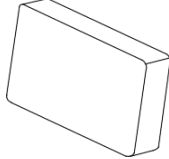
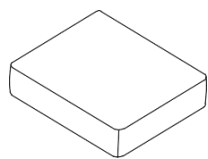
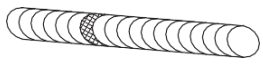


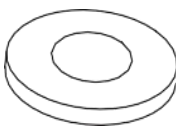




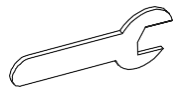
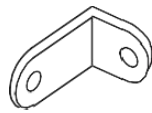

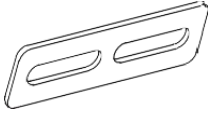
Assembly Instructions

SS081AF63D

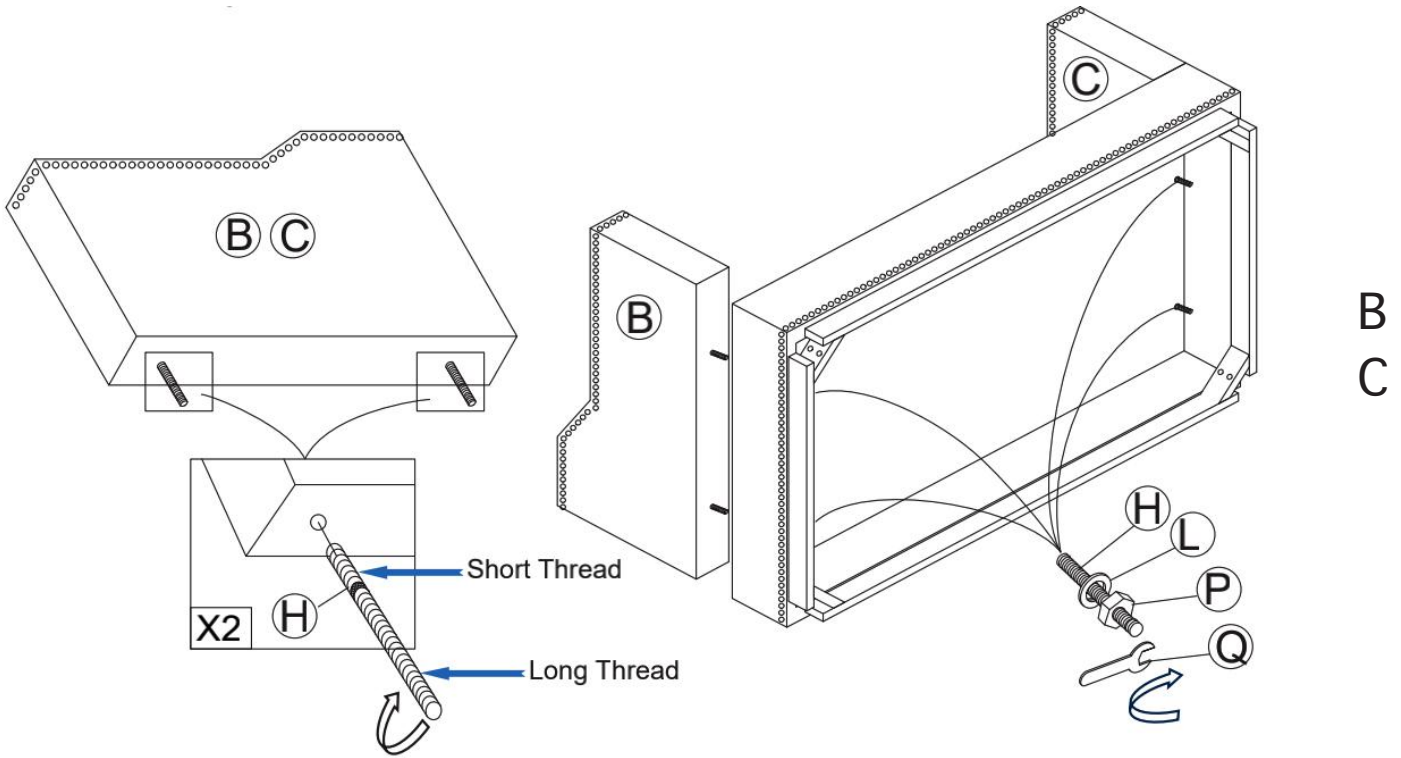
Your Sofa comes packaged in **One** box. Carefully remove all of components from the packaging and set aside for assembly.

CAUTION:
DO NOT use any sharp objects to open plastic-wrapped components as this may result in damage to the product or components.

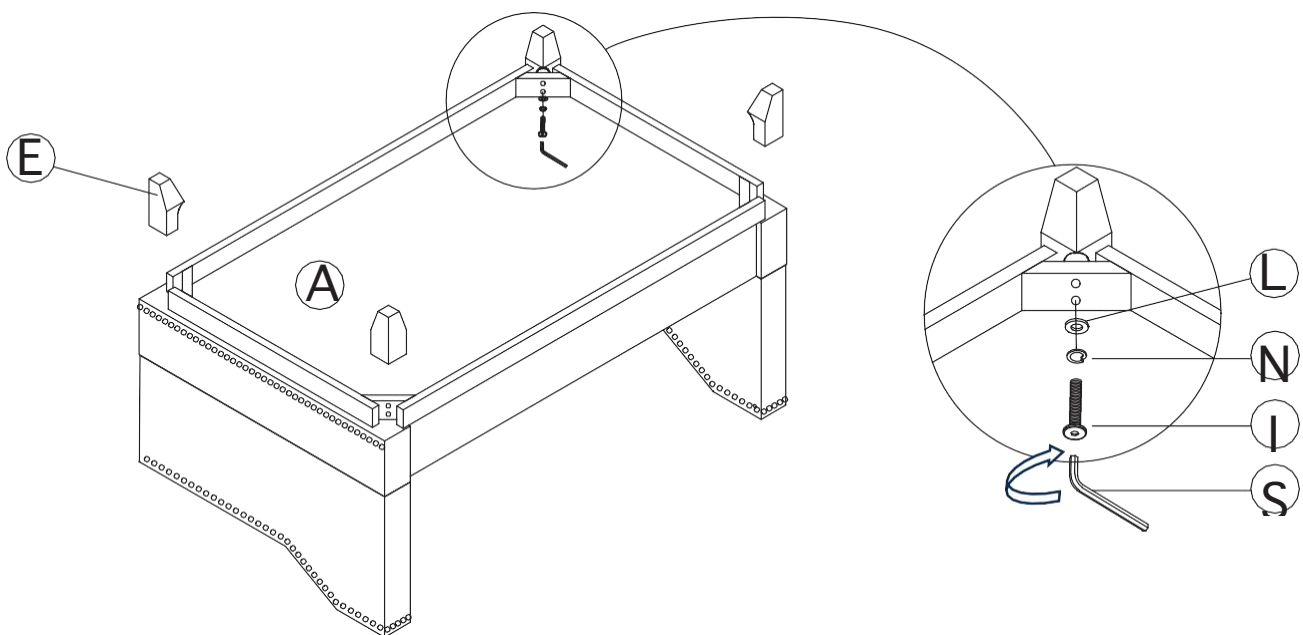
Package Contents

	X1		X1		X1		X3
A	SEAT BODY	B	LEFT ARM	C	RIGHT ARM	D	BACKREST
	X4		X3		X3		X4
E	LEGS	F	BACK CUSHION	G	SEAT CUSHION	H	Bolts Ø5/16"x90mm
	X8		X8		X12		X8
I	Bolts Ø5/16"x50mm	K	Bolts Ø1/4"x20mm	L	Flat Washer Ø19	M	Flat Washer Ø16
	X8		X8		X4		X1
N	Spring Washer Ø12	O	Spring Washer Ø10	P	Nut	Q	Open Wrench
	X2		X1		X2		
R	Corner Connector	S	Allen Key	T	Flat Connector		

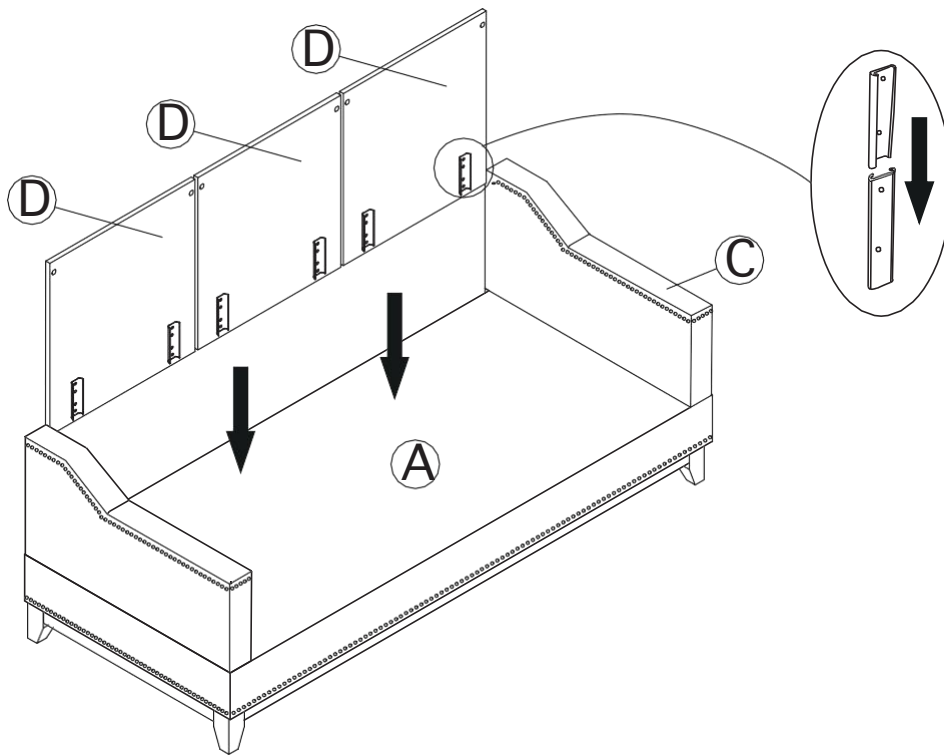
STEP 1: Insert Two Bolts Ø5/16"x90mm H into each arm (Left Arm B and Right Arm C). Align the Bolts Ø5/16"x90mm H with the screw holes on Seat Body A, connect two arms to Seat Body A, using Four Flat Washers Ø19 L and Four Nuts P, tighten the bolts by Open Wrench Q.
 Note: Arms are marked with B/C labels, please place them on the correct side according to below line-drawing.



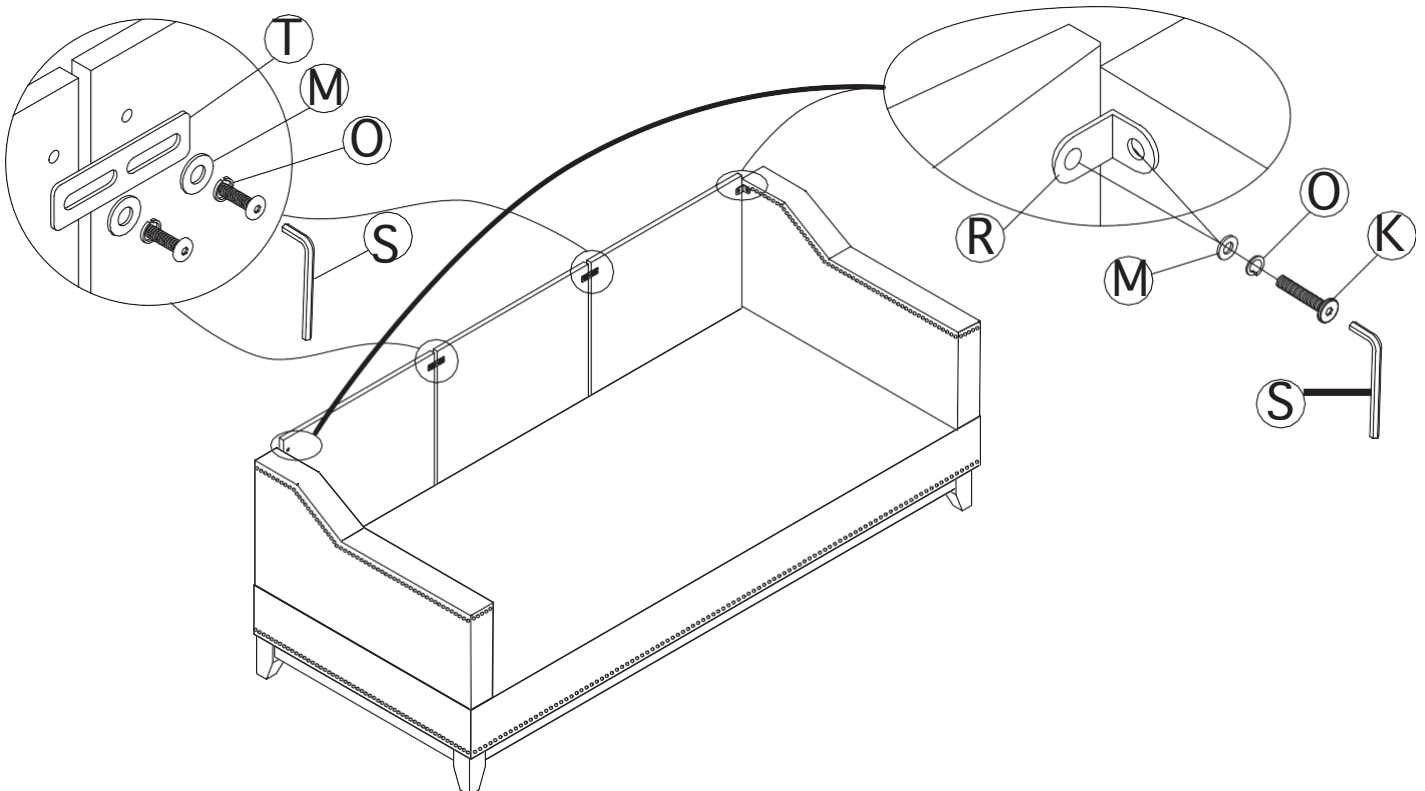
STEP 2: Install Four Legs E to Seat Body A, using Eight Ø5/16"x50mm Bolts I, Spring Washers Ø12 N and Flat Washers Ø19 L, tighten the bolts by Allen Key S.



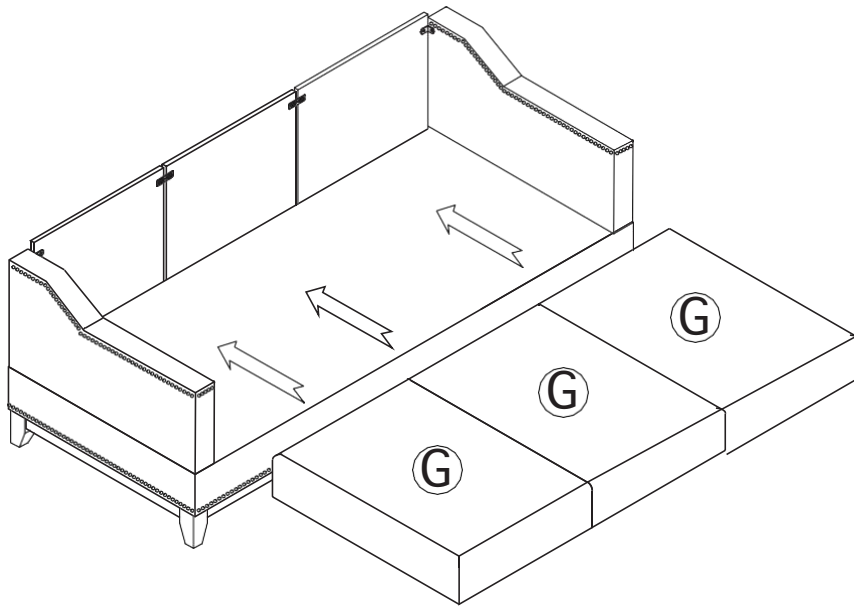
STEP 3: Attach Three Backrest D to Seat Body A, align the slots on the seat body and backrest. Until the connection is secure.



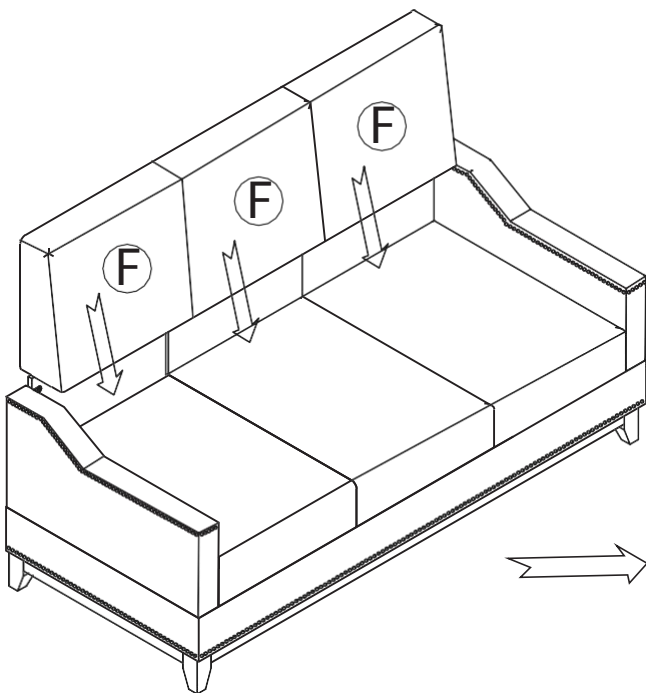
STEP 4: 1. Connect Three Backrest D by Two Flat Connector T, using Four $\text{\O}1/4$ "x20mm Bolts K, Spring Washers $\text{\O}10$ O and Flat Washers $\text{\O}16$ M, tighten by Allen Key S.
2. Connect the whole backrest to Arms by Two corner Connectors R, using Four $\text{\O}1/4$ "x20mm Bolts K, Spring Washers $\text{\O}10$ O and Flat Washers $\text{\O}16$ M, tighten by Allen Key S.



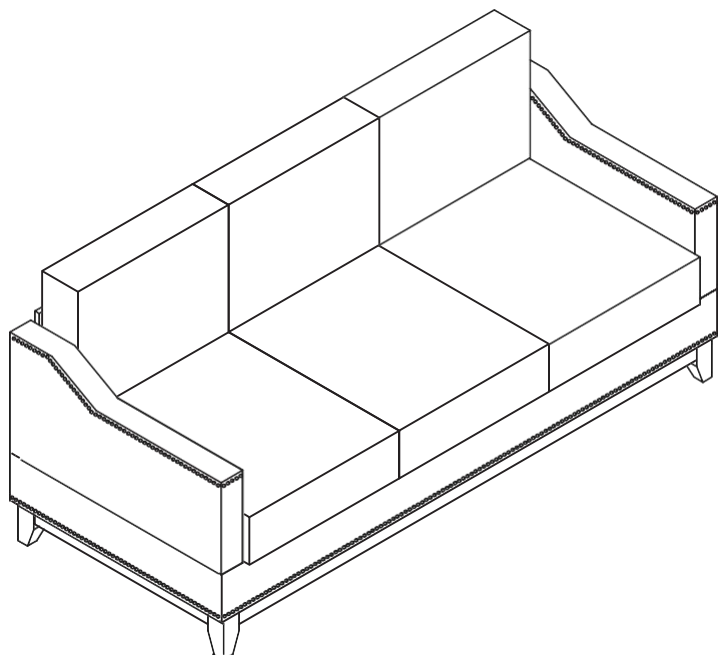
STEP 5: Place Three Seat Cushion G onto the sofa seating area.



STEP 6: Place Back Cushion F to the sofa backrest.
Now your sofa is successfully assembled.



COMPLETED



Warnings

1. Please check if the components of the chair are all included and can be used normally.
2. Assemble all components according to the instruction correctly before you connect the chair to the power.
3. Please DO NOT sit on the armrests or footrest to eliminate the risk of tipping over.
4. If the chair is damaged or doesn't match the website description, please send clear pictures of the product and label of the carton to our service team for further help.
5. If the recliner doesn't work, you may try the following measures for self-checking firstly:
 - a) Check if all the cables are connected;
 - b) Check if the light of transformer is on.If the chair still doesn't work, please feed the information back to our customer service in time and we'll help you solve the matter as soon as possible.
6. If you have any questions with the product, please contact us by:

Email: customerservice@zoy-living.com (we will reply to you within 24 hours)

