

ASSEMBLY INSTRUCTIONS

NOTE: 50% TIGHTEN BEFORE FIXING ALL BOLTS

N704P210486K

Thank you for choosing our products.

1. Return Policy




DO NOT RETURN TO THE STORE! Skip the process of returning your product and contact us directly for a replacement

If you find that parts of your order are missing or damaged, we will gladly ship any needed replacement parts free of charge.

If you have found any sort of defect, please contact our customer service department and let us know the details of your order and any issues encountered, we will try our best to provide you with a solution.

Recommendations Before Beginning Assembly

 • Read instructions, cover to cover

 • Have 2-4 adults on hand for assembly depending on product size

 • Do not assemble directly on flooring or carpet

 • Assemble on a clean non-marring surface (example: packing foam)

 • Save all packaging until finished

3. Assembly Notice:

- If you encounter any problems during assembly and find that you cannot continue, rest assured we will help you solve the situation as soon as possible. Simply keep all of the parts of the product stored in a safe place and contact us immediately so we may assist you further.











- Once you have opened your package, remove all inner hardware packages and take the parts out. One by one, Place the parts out neatly in front of you, then refer to the instructions to ensure no parts are missing. If any pieces are found missing, please carefully look in the box first, as the hardware packaging might have torn making the hardware spill in the box.

- Some key parts of your product may be stored and hidden inside of other parts. Please open any zippered or hook & loop storage compartments to remove all parts. (example: cushions and legs being stored in the underside of a sofa)

- **IMPORTANT:** When setting up your product, **DO NOT INSTALL THE SCREWS ALL THE WAY IN THE BEGINNING.** Place each screw into their proper hole and use your hand to twist the screw halfway. Twist all the screws in halfway to ensure the holes will match up properly and the product is level on the ground. When everything seems fitted, then tighten the screws.

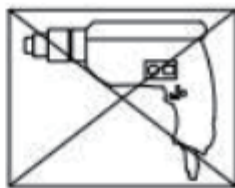
- When you have completed assembly, we suggest you have more than one person to assist you with lifting and placing the product.

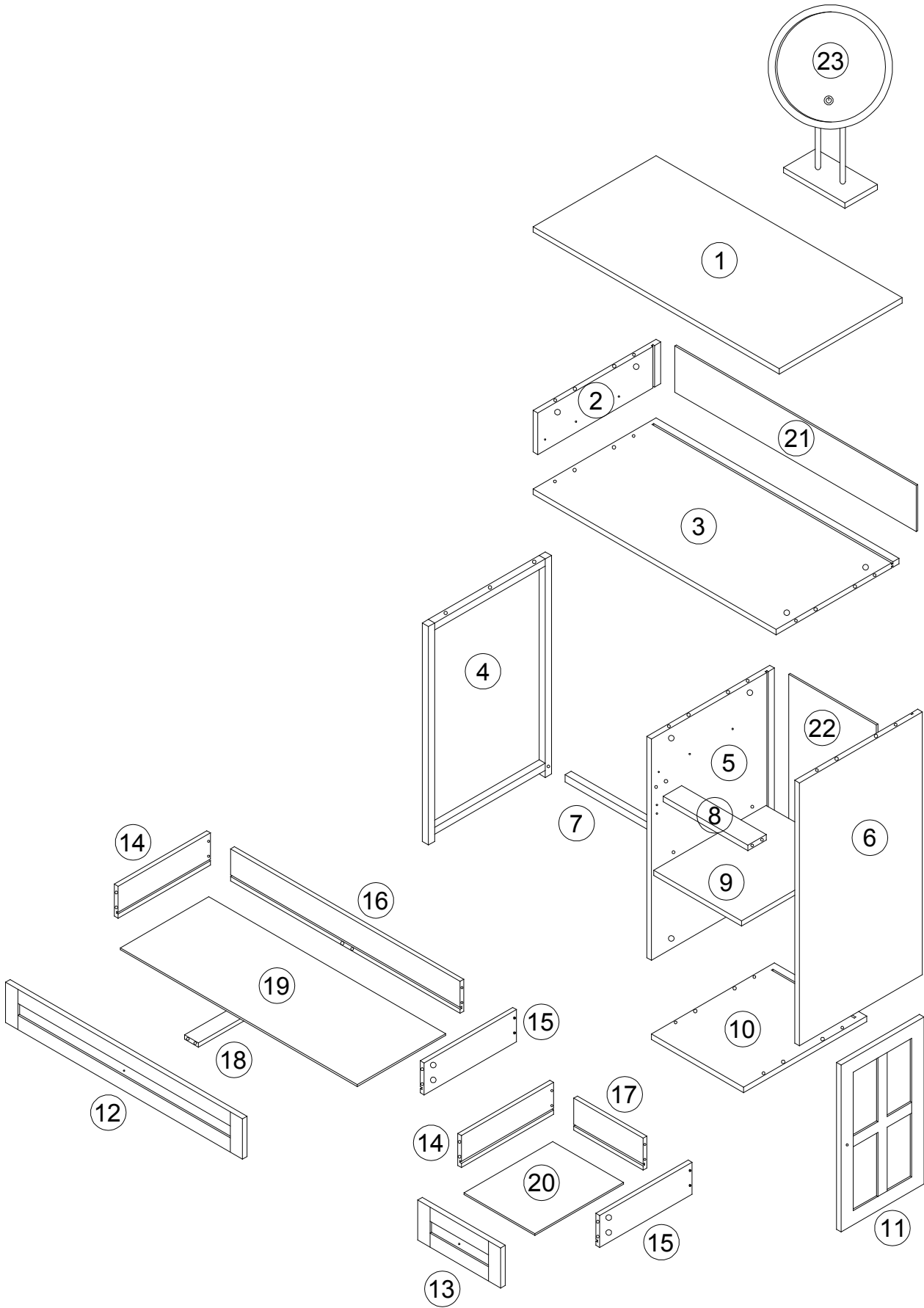
Care & Maintenance

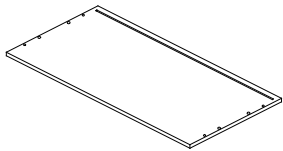
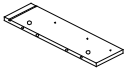
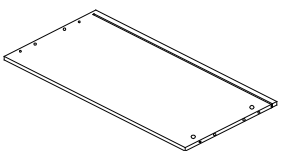
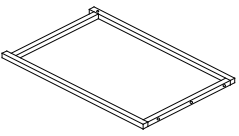
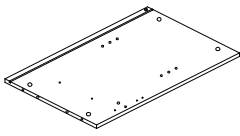
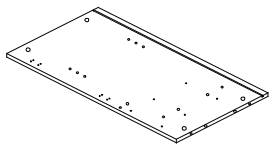


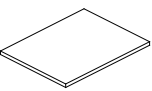
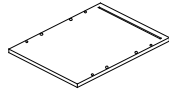
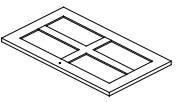
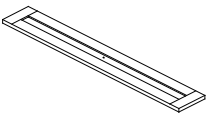
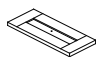
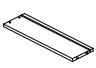
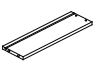
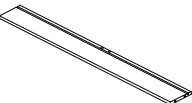
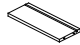

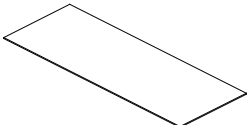
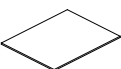
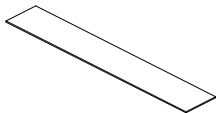
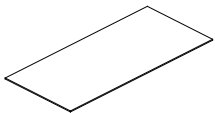
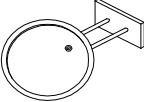
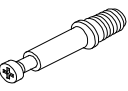
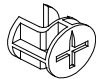
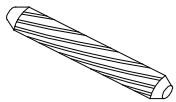
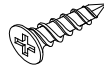
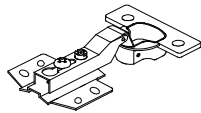
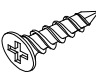
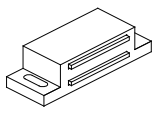
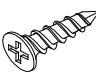
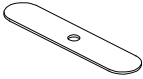
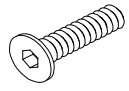
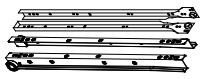

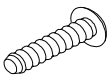

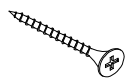
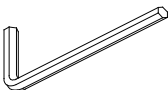

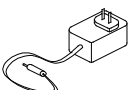
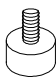
-  Do not put hot items directly on furniture surface
-  Do not clean furniture with harsh cleansers or polish
-  Do not place furniture under direct sunlight
-  Do not place furniture near heating or cooling vents
-  Do not write on furniture without a padded barrier to protect the surface
-  Do not place furniture outside. For indoor use only
-  Not for commercial use. For residential use only
-  Stains may be removed with mild soap solution and damp cloth
-  Children should not climb or jump on the furniture
-  Dust and pick-up spills using a clean, non-colored, lint-free cloth

Caution

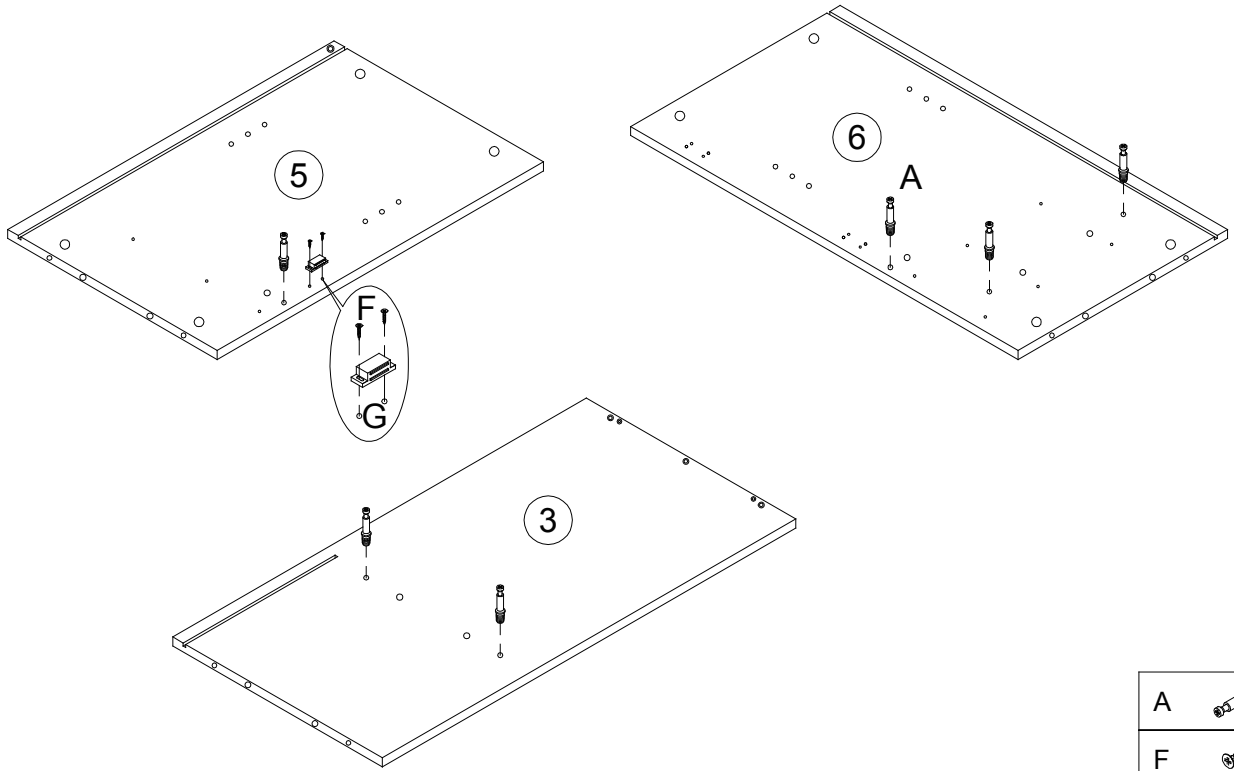
- This product contains small components. Please ensure that they are kept away from small children.
- Do not use power tools to assemble your furniture. Power tools may strip or damage the parts.





				
① x1PC	② x1PC	③ x1PC	④ x1PC	⑤ x1PC
				
⑥ x1PC	⑦ x1PC	⑧ x1PC	⑨ x1PC	⑩ x1PC
				
⑪ x1PC	⑫ x1PC	⑬ x1PC	⑭ x2PCS	⑮ x2PCS
				
⑯ x1PC	⑰ x1PC	⑱ x1PC	⑲ x1PC	⑳ x1PC
				
㉑ x1PC	㉒ x1PC	㉓ x1PC		
				
6*35mm Ax24PCS	15*10mm Bx24PCS	6*30mm Cx18PCS	4*12mm Dx12PCS	Ex2PCS
				
3*14mm Fx10PCS	Gx1PC	3*10mm Hx21PCS	Ix1PC	6*30mm Jx5PCS
				
300mm Kx2PCS	Lx8PCS	4*14mm Mx3PCS	Nx3PCS	4*30mm Ox10PCS
				
Px1PC	Qx4PCS	Rx1PC	Sx2PCS	

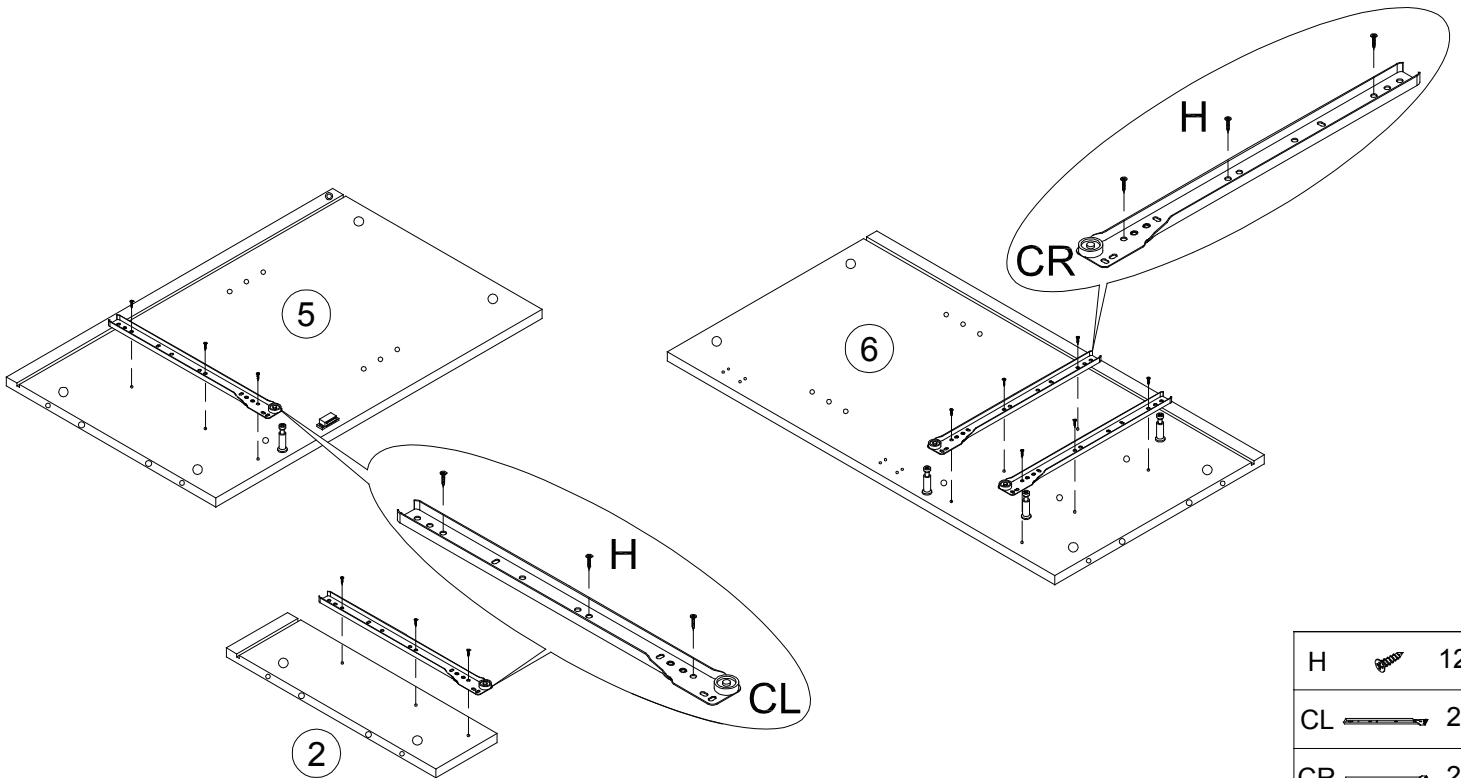
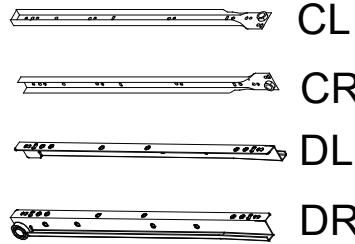
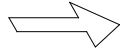
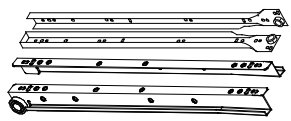
STEP 1



A		6 pcs
F		2 pc
G		1 pc

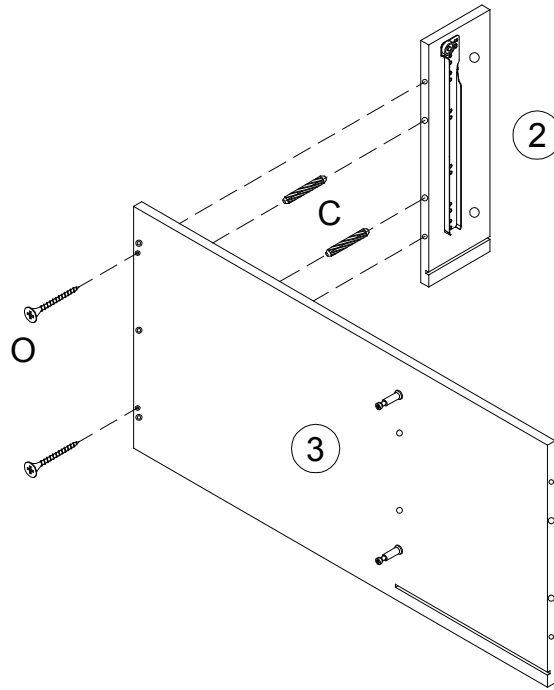
STEP 2



K



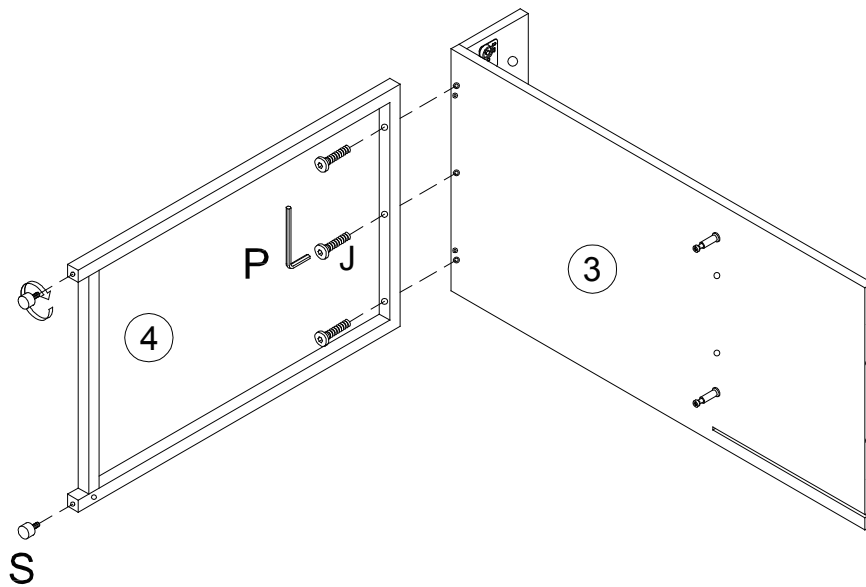
H		12 pcs
CL		2 pcs
CR		2 pcs




STEP 3



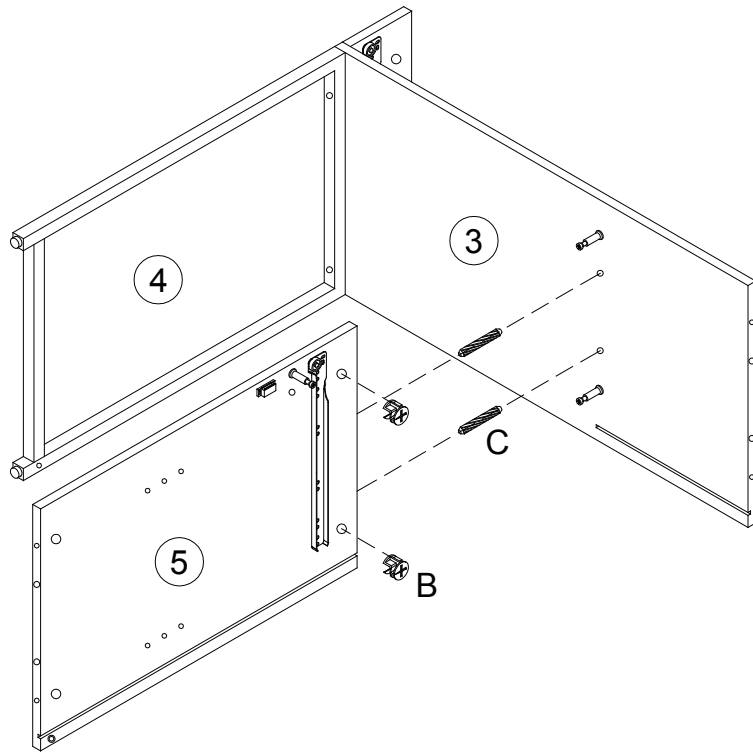
C		2 pcs
O		2 pcs



STEP 4



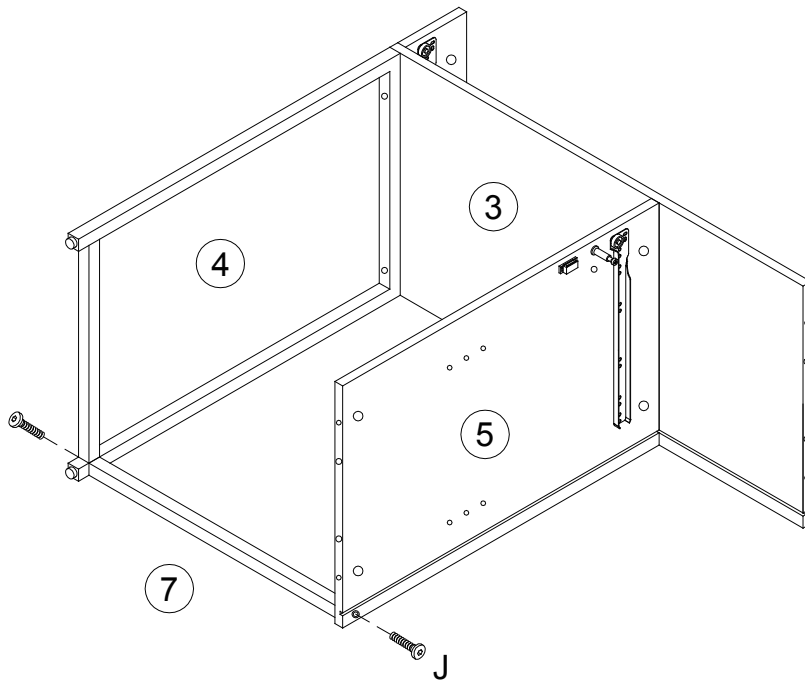
J		3 pcs
P		1 pc
S		2 pcs


STEP 5



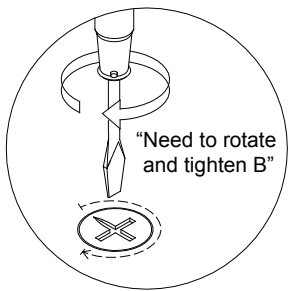
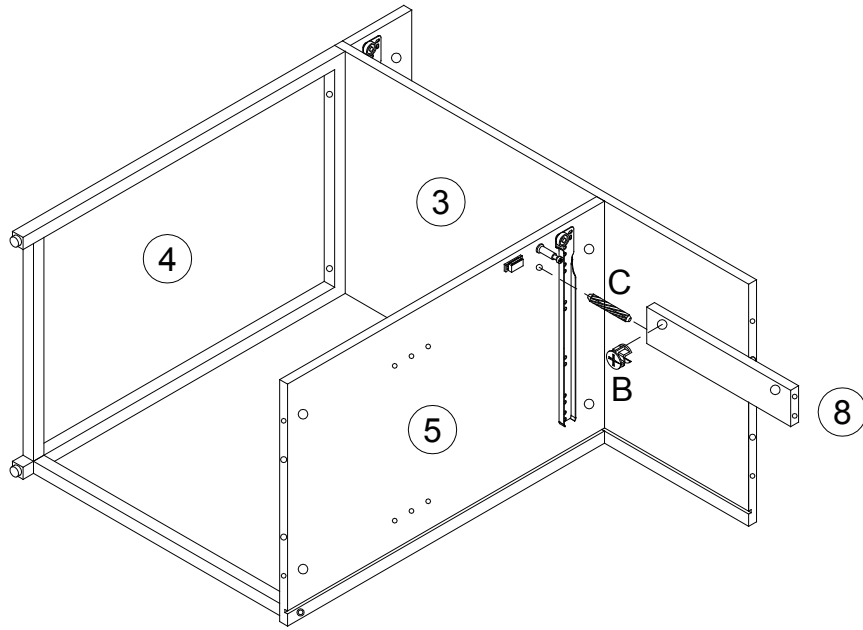
B		2 pcs
C		2 pcs



STEP 6



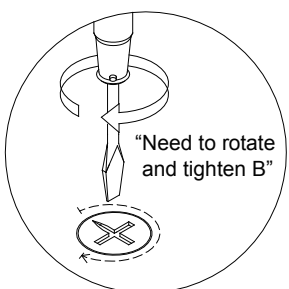
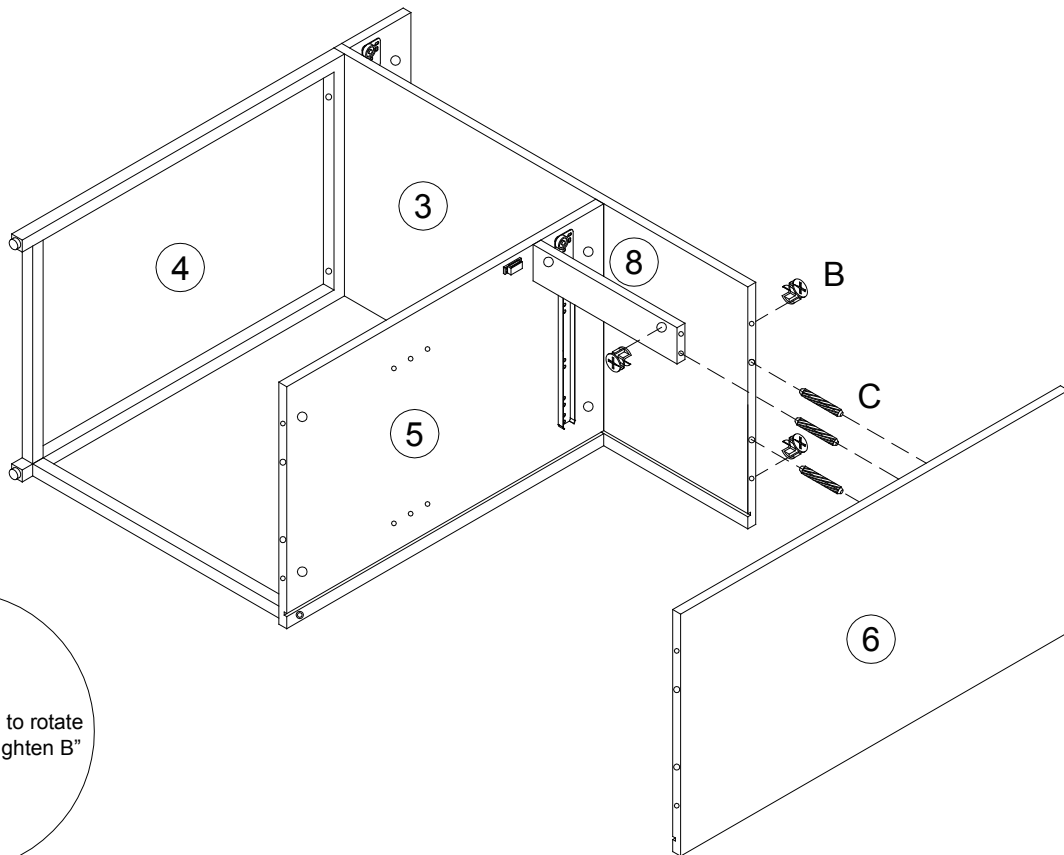
J		2 pcs
---	---	-------



STEP 7



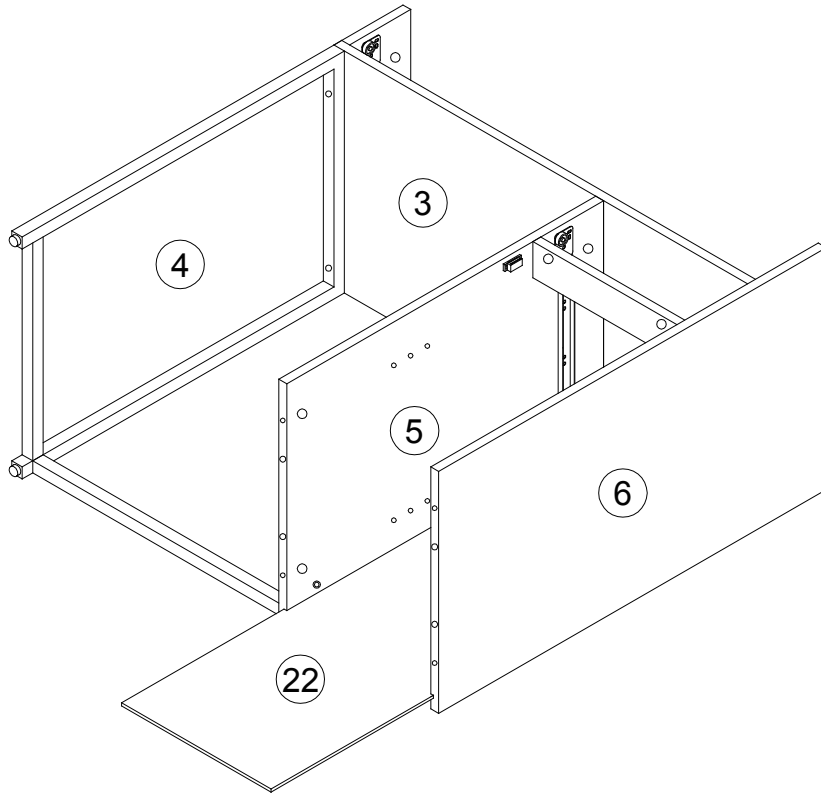
B		1 pc
C		1 pc

STEP 8

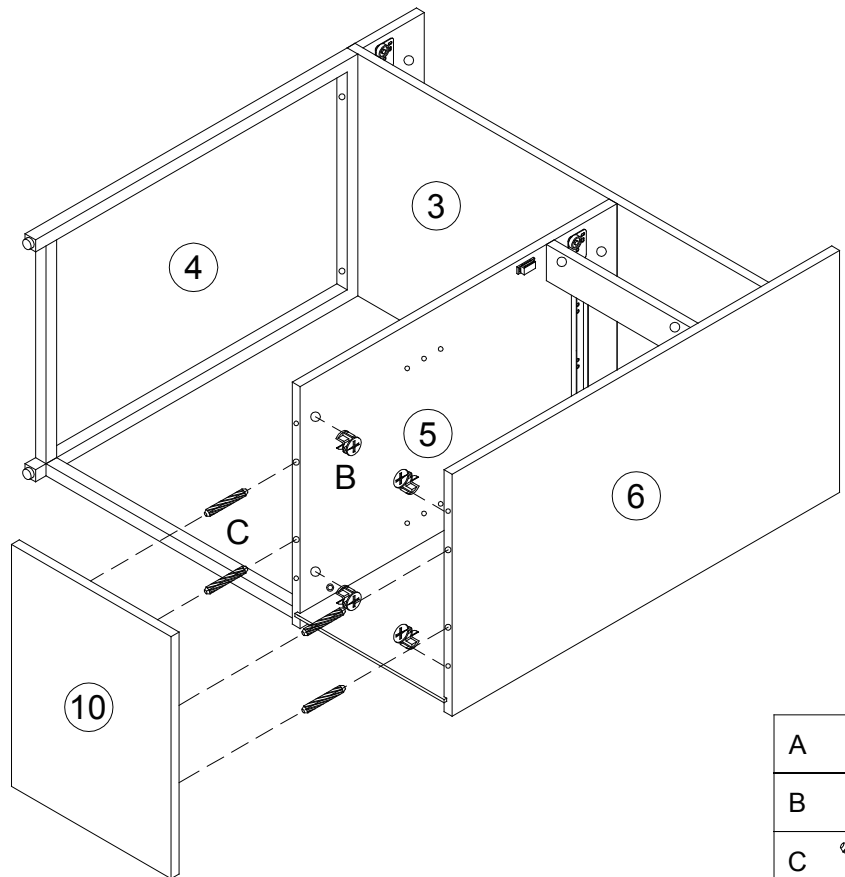
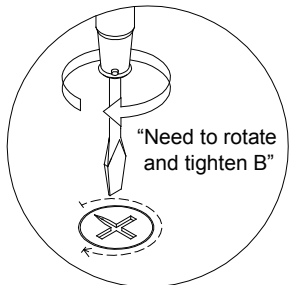
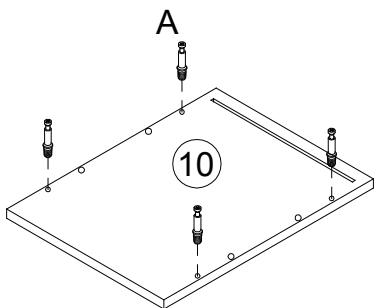





B		3 pcs
C		3 pcs

STEP 9

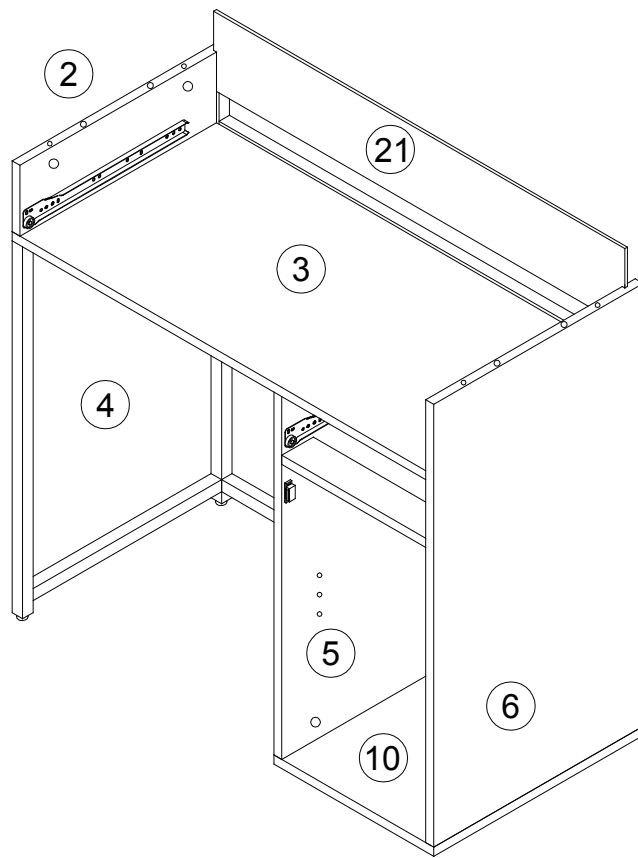


STEP 10

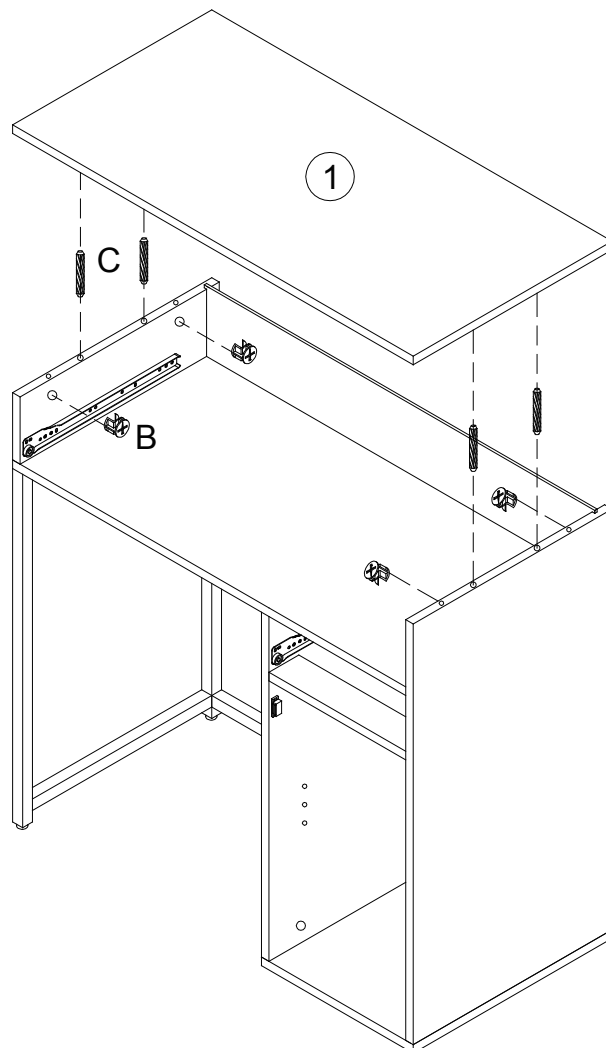
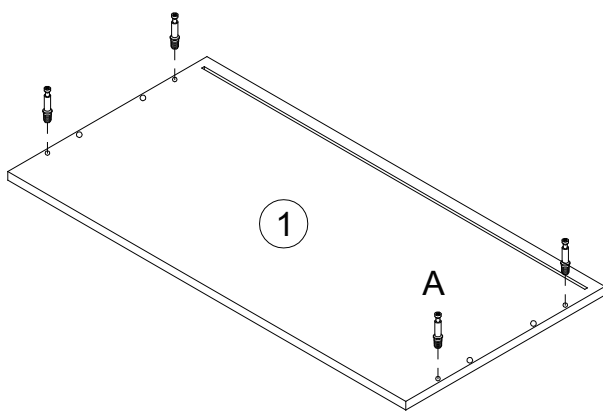
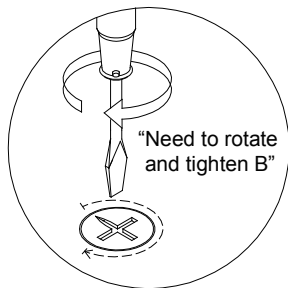





A		4 pcs
B		4 pcs
C		4 pcs

STEP 11

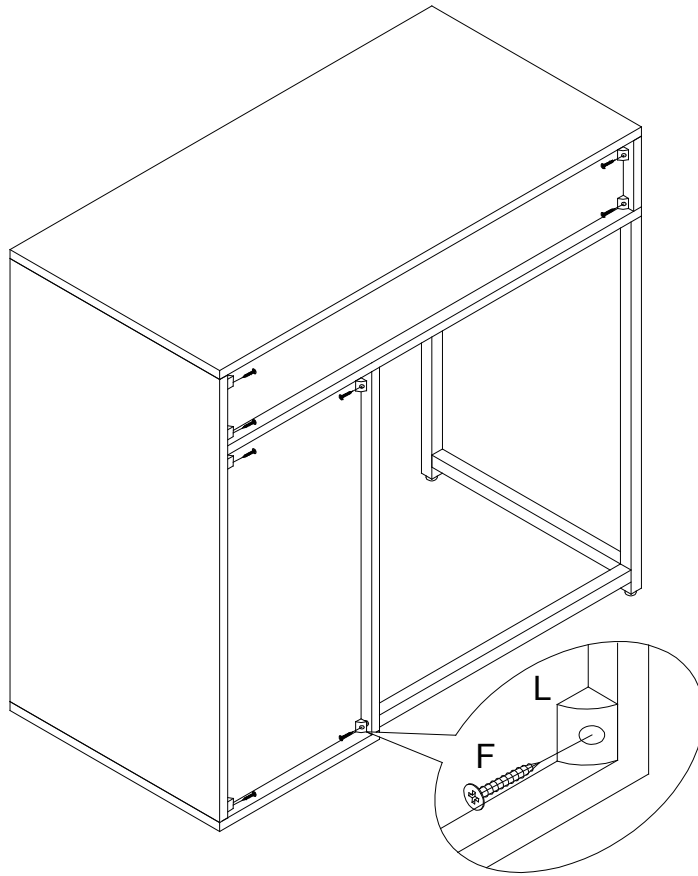




STEP 12



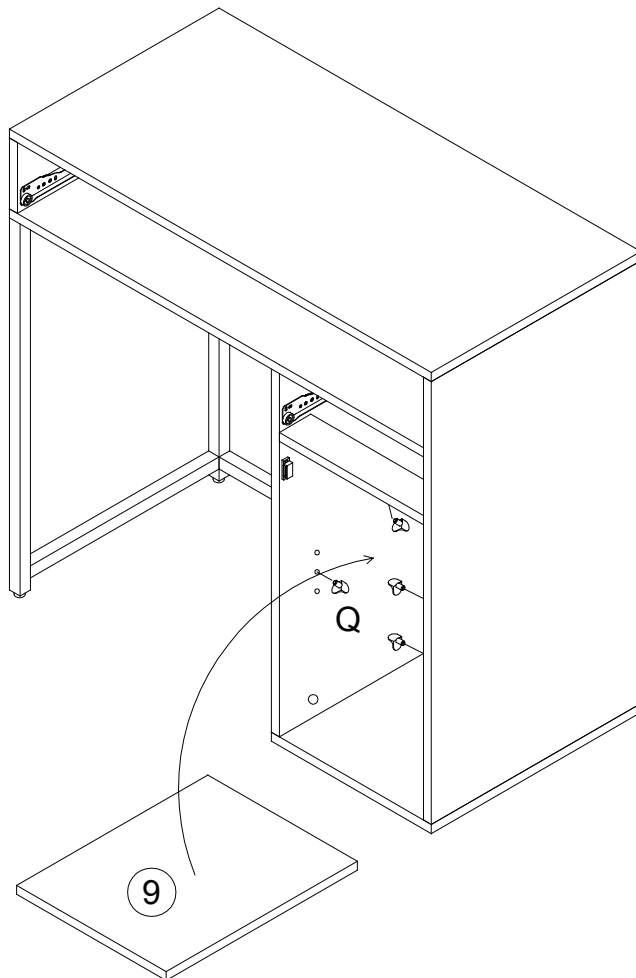
A		4 pcs
B		4 pcs
C		4 pcs


STEP 13



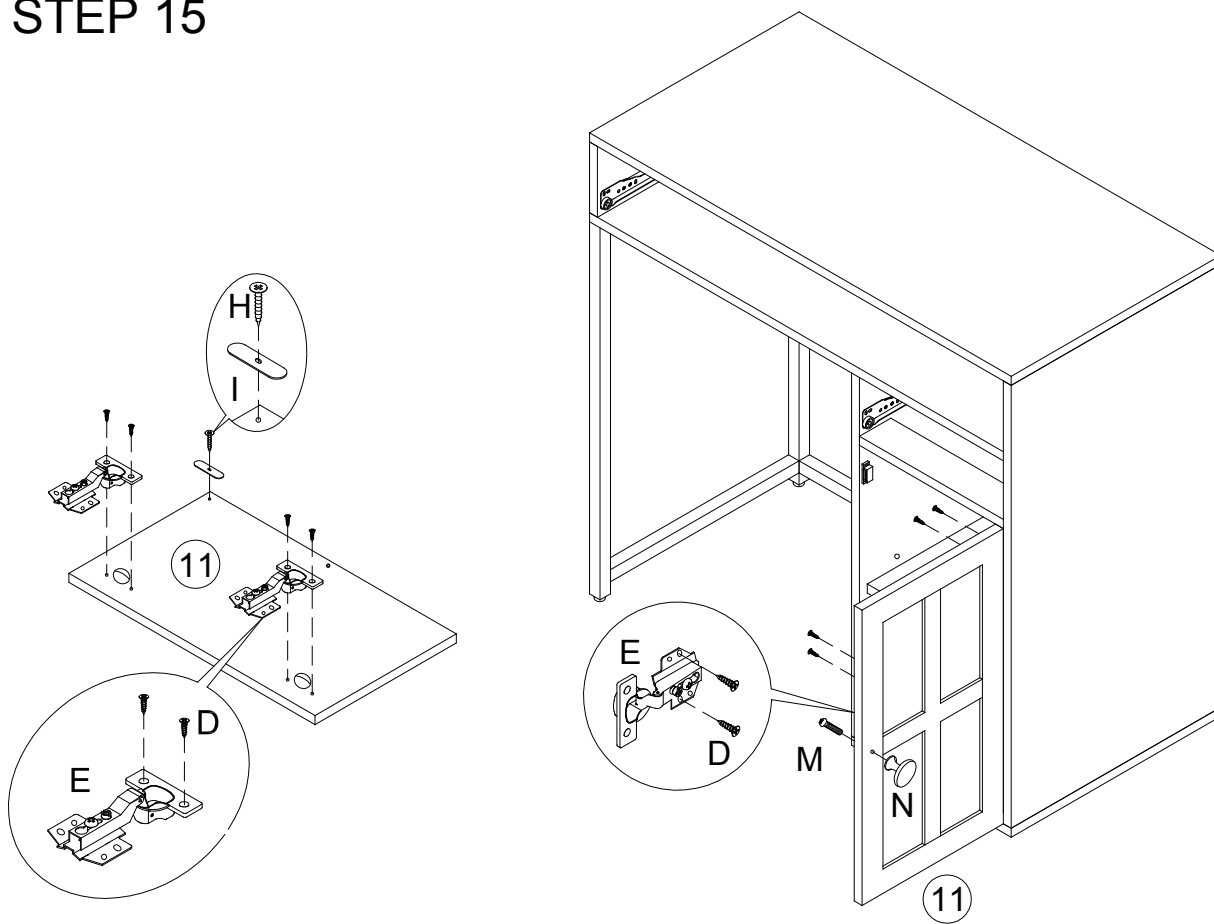
F		8 pcs
L		8 pcs

STEP 14



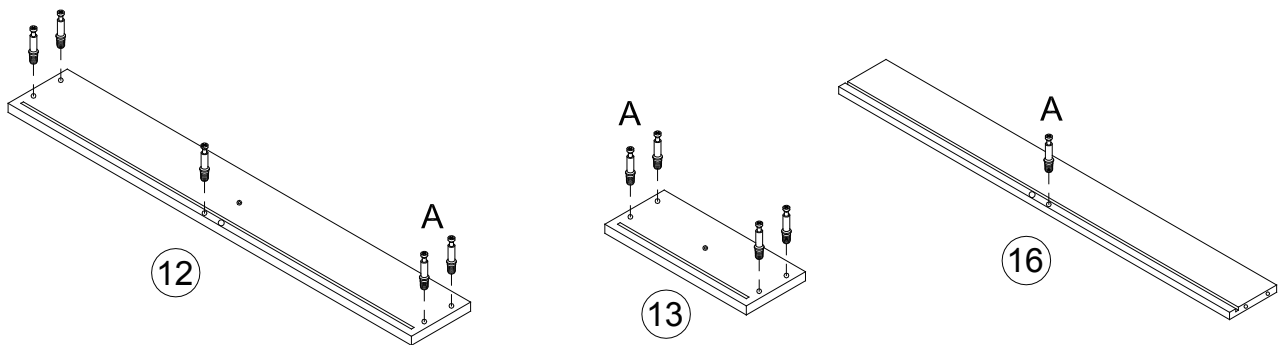
Q		4 pcs
---	---	-------

STEP 15



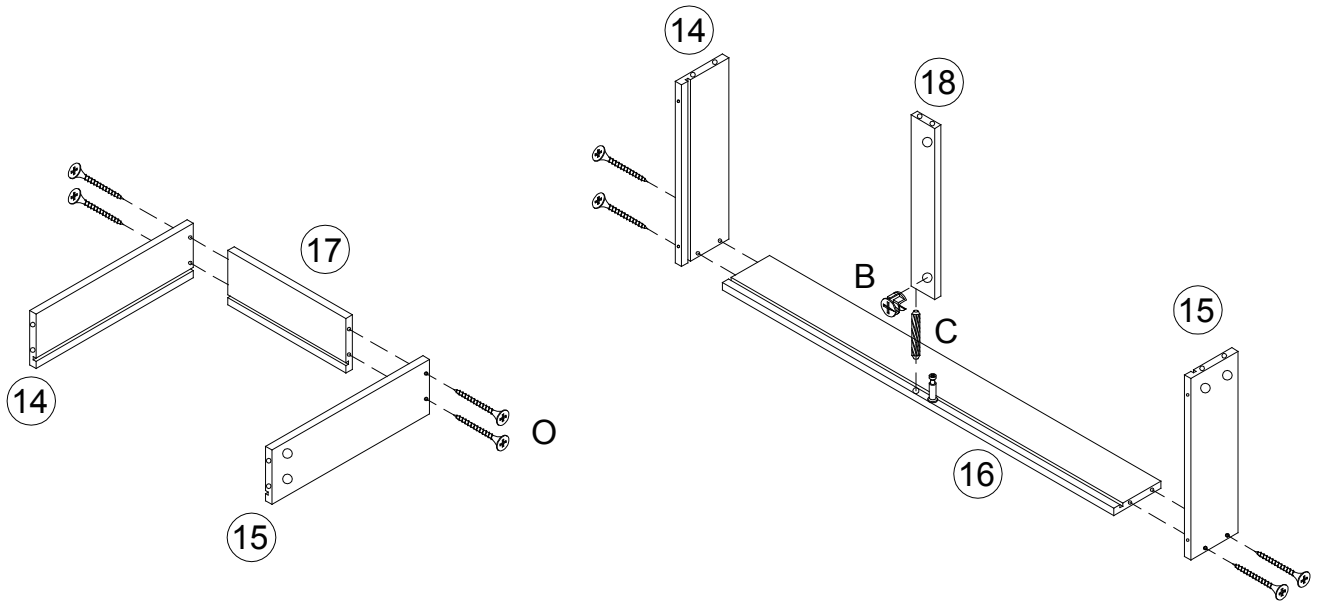
D		8 pcs
E		2 pcs
H		1 pc
I		1 pc
M		1 pc
N		1 pc

STEP 16



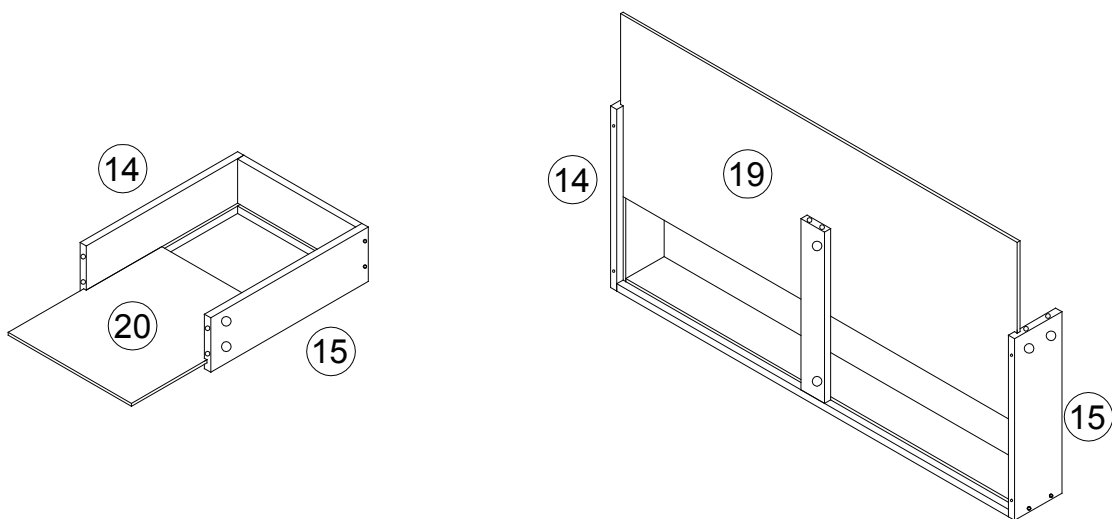
A		10 pcs
---	--	--------

STEP 17

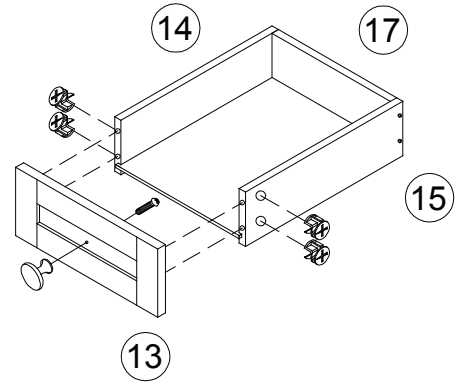
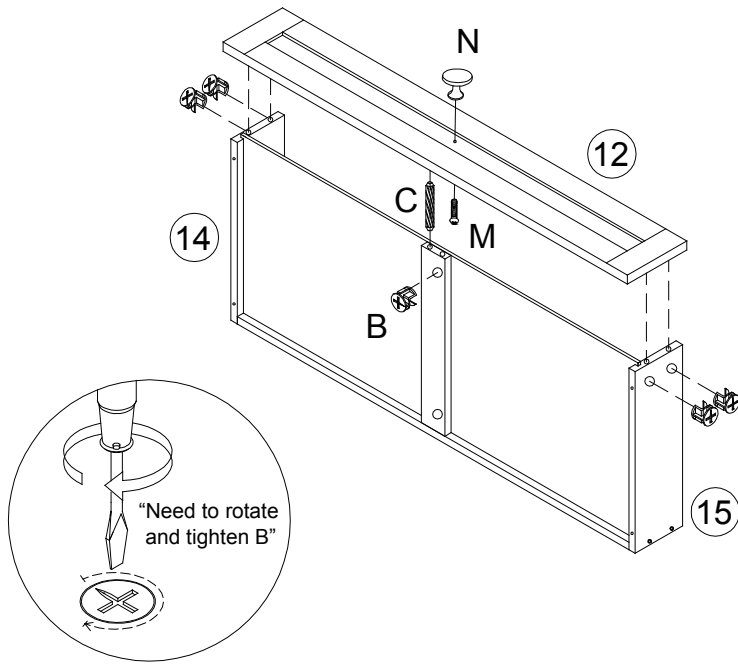


B		1 pc
C		1 pc
O		8 pcs

STEP 18

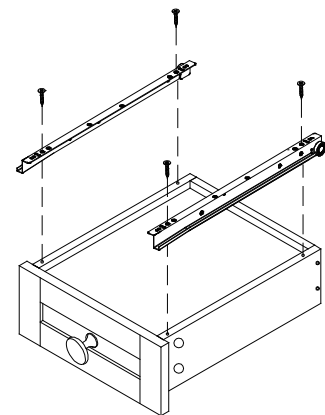
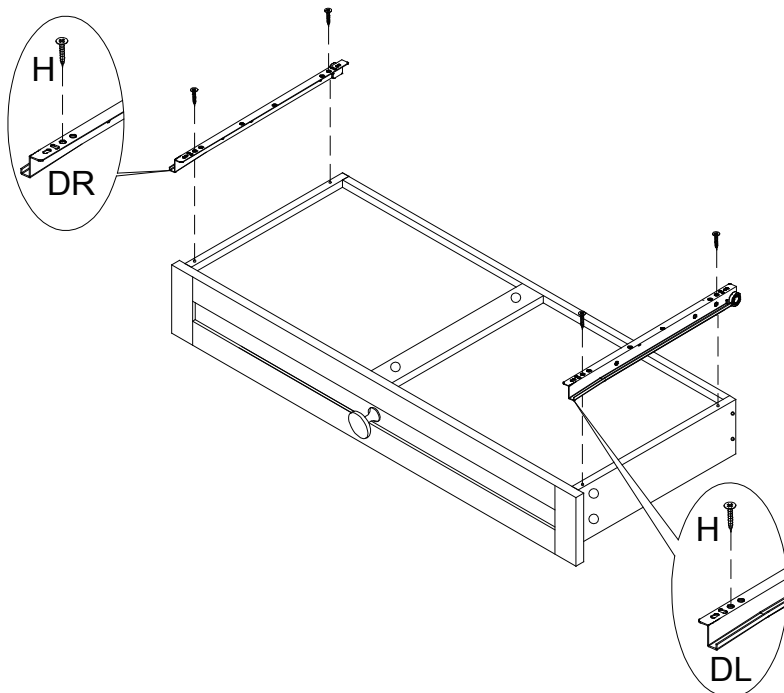
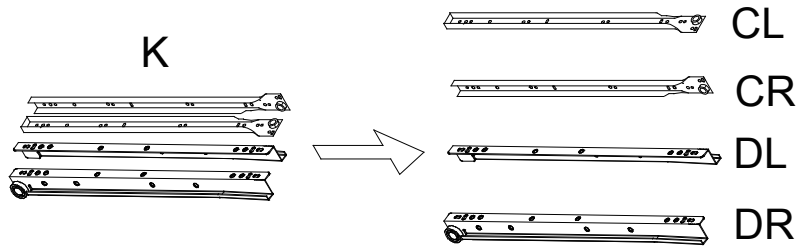


STEP 19



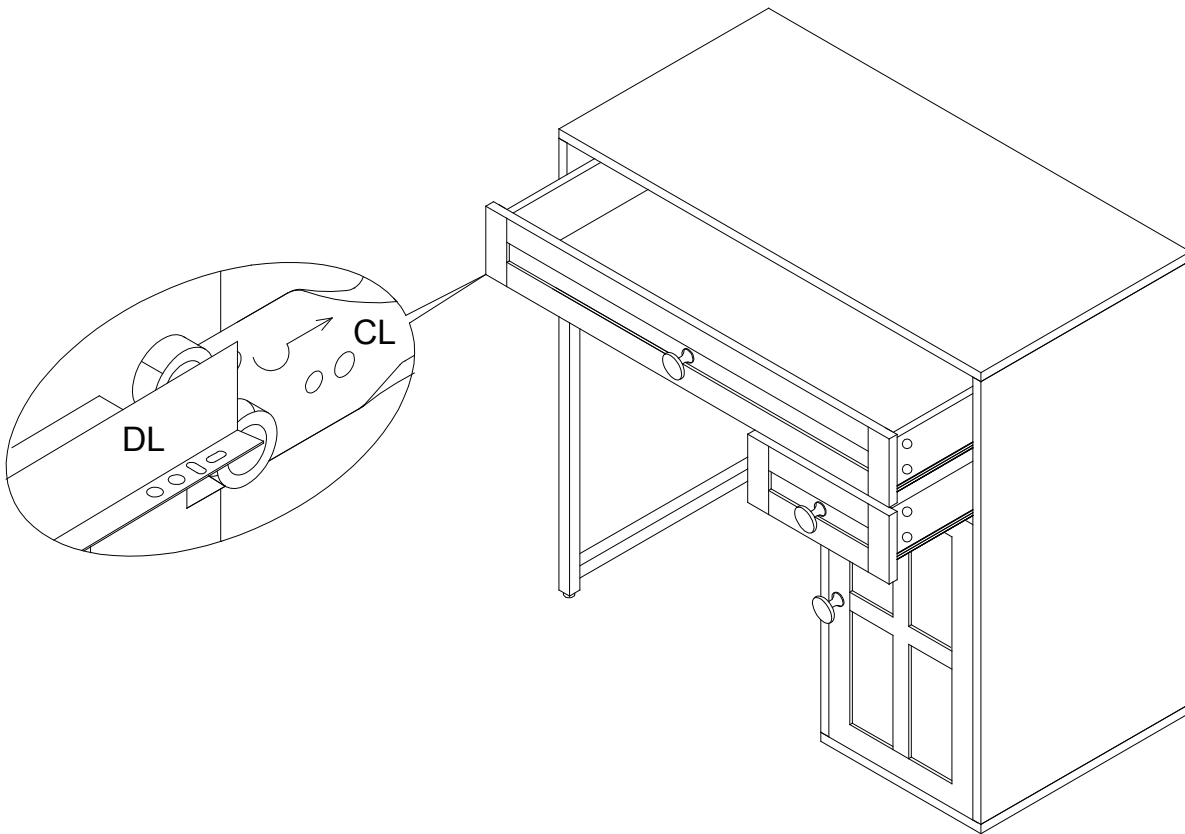
B		9 pcs
C		1 pc
M		2 pcs
N		2 pcs

STEP 20

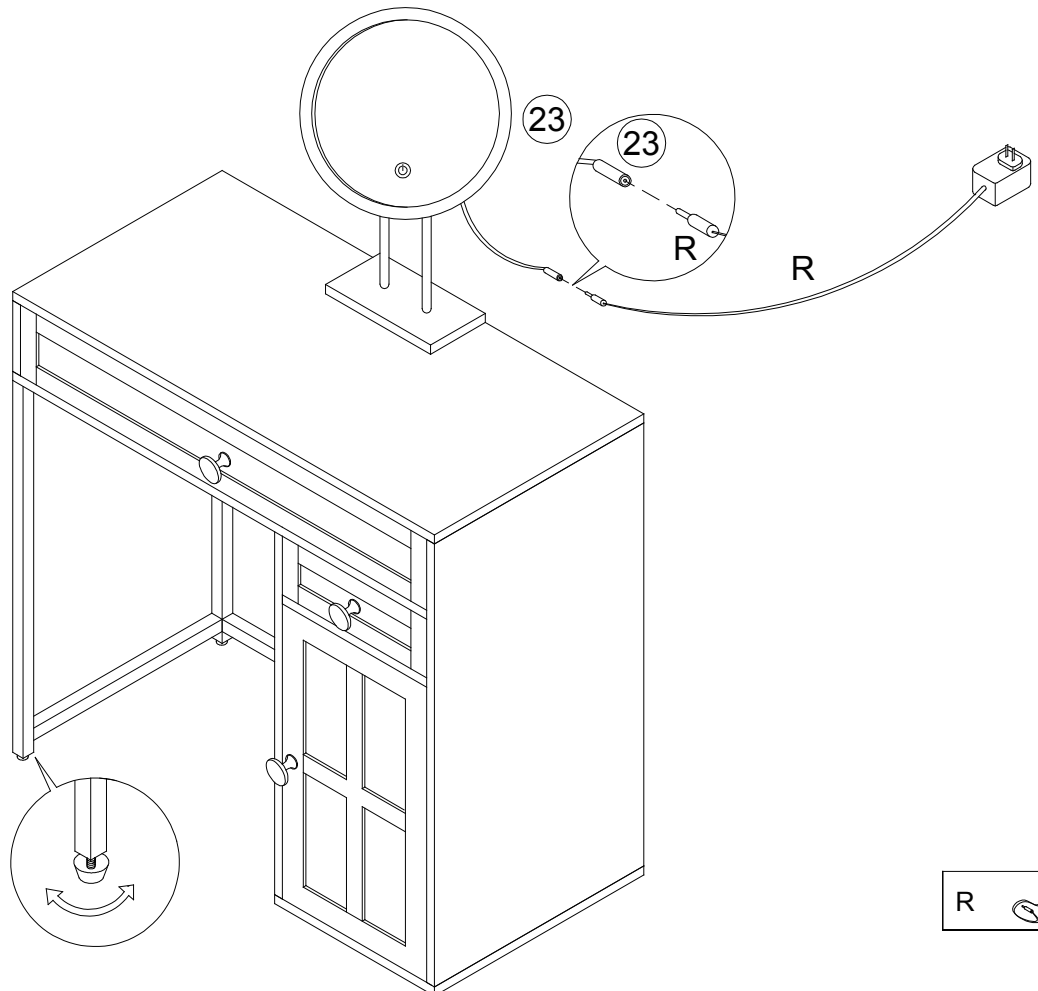


H		8 pcs
DL		2 pcs
DR		2 pcs

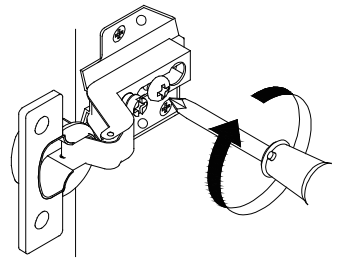
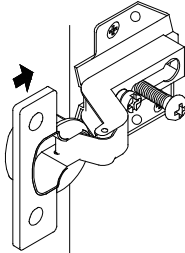
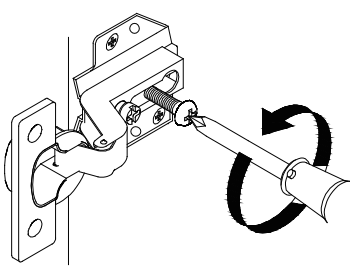
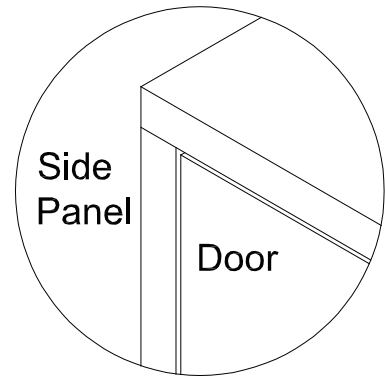
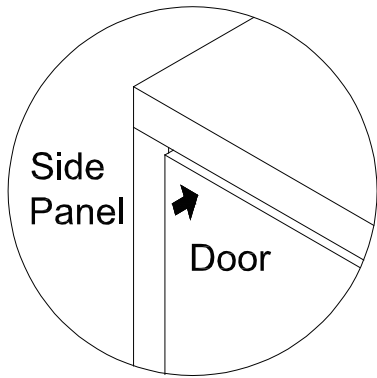
STEP 21



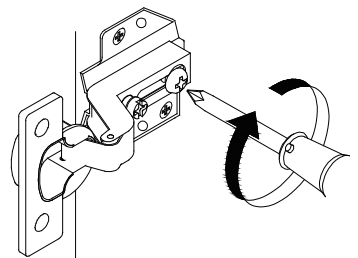
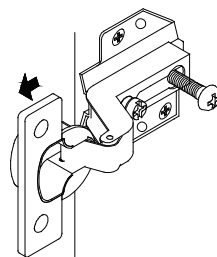
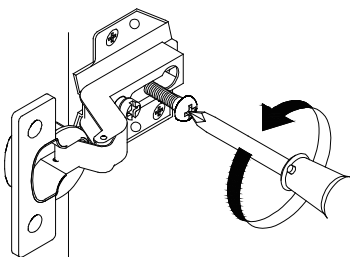
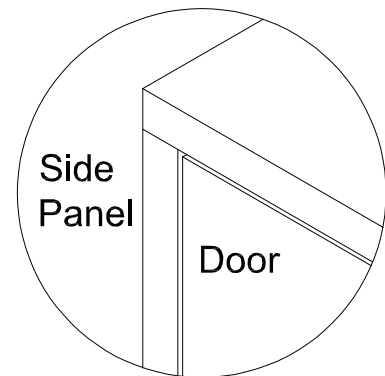
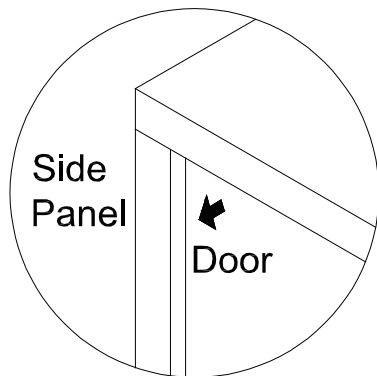
STEP 22



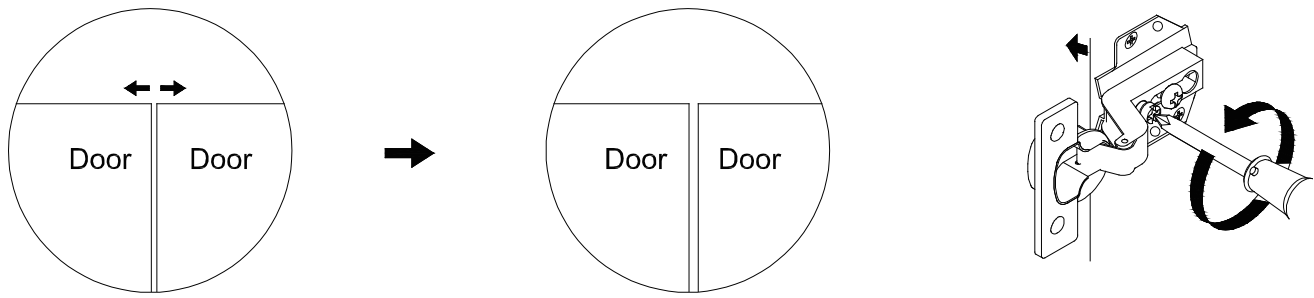
STEP 21



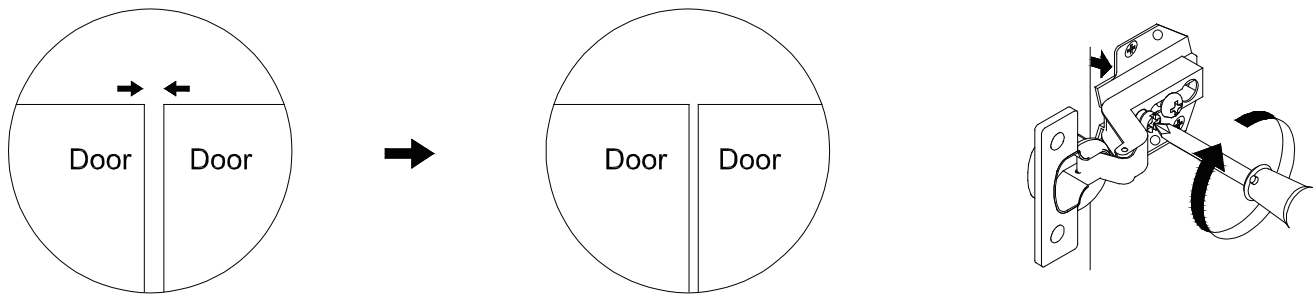
If the top of the door is not level with the side panel, loosen the screw at the back of the hinge as shown, then move the hinge in or out until the desired gap is achieved, and then re-tighten the back screw.



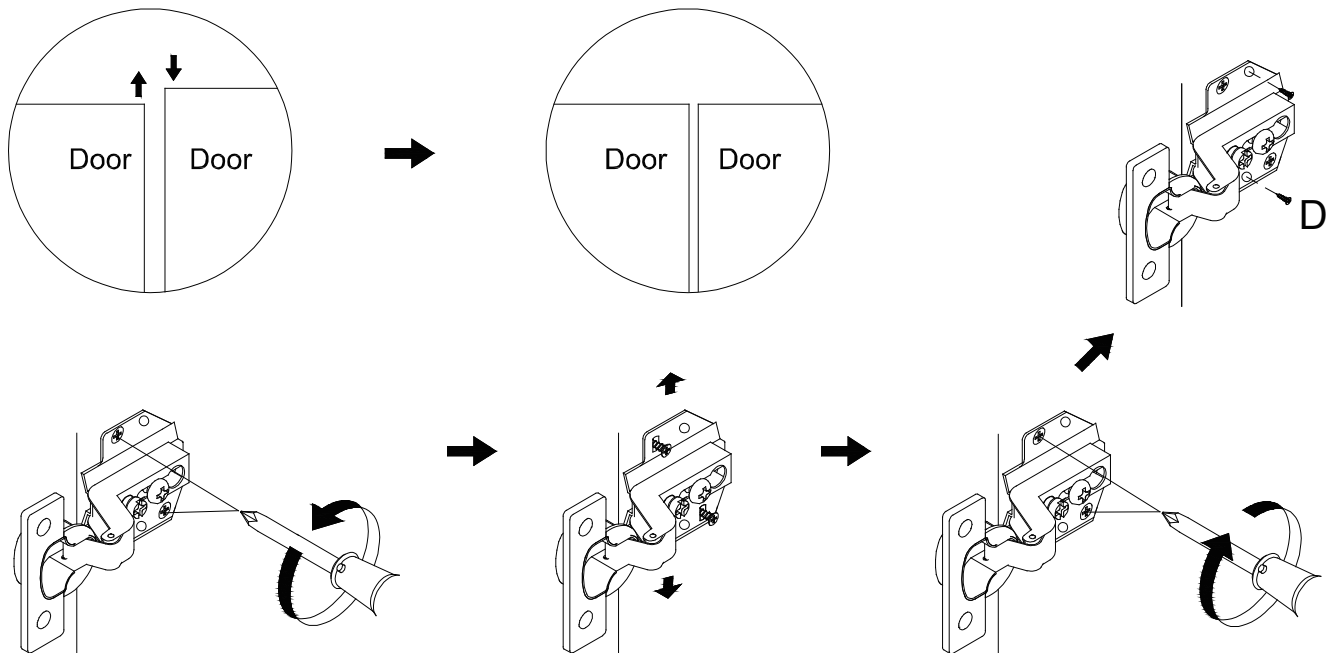
If the top of the door is not level with the side panel, loosen the screw at the back of the hinge as shown, then move the hinge in or out until the desired gap is achieved, and then re-tighten the back screw as shown.



If the gap is too tight between the two doors, loosen the screw at the front of the hinge as shown to make the adjustment and then re-tighten the screw.




If the gap is too tight between the two doors, loosen the screw at the front of the hinge as shown to make the adjustment and then re-tighten the screw.



a) If the doors are not leveled with each other, loosen the screws (installed on STEP 15) at the Panel Wing of the hinge, then adjust the hinge up or down until the desired level or when both doors are leveled, and then re-tighten the screws.

b) When all the desired positions are in place, use the remaining four Screw (D) to fasten the Wing Panel using the balance two screw holes on Panel Wing.

D  4 pcs