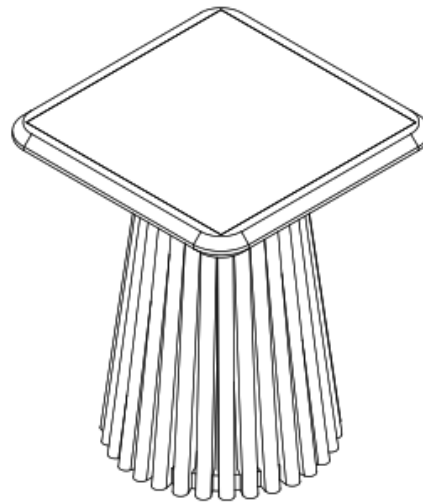


# WOOD ACCENT TABLE

Assembly Instructions



Every thing we make is incredibly simple to set up, including your new table. You won't need any additional tools.

### Parts List

A x 1  
TOP



B x 1  
LEG



### Hardware List

HW1 x 3  
Small cross Bolts 6x0.5x30mm



HW2 x 3  
Flat washer 8mm



HW3 x 3  
Spring washer 8mm

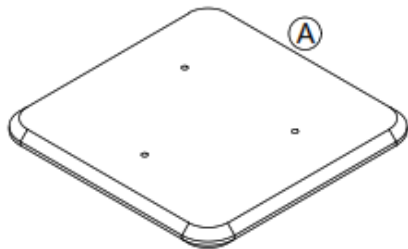


HW4 x 1  
Allen Key



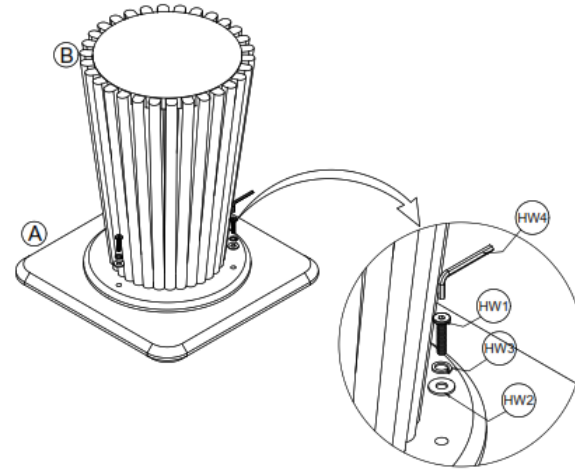
1

Place the Top (A) upside down on a soft surface.



2

Align the screw holes on the Top (A) to the screw holes on the Leg (B). Place the Flat Washer (HW2) and Spring Washer (HW3) on the Bolts (HW1) in the order shown below. Use the Allen Key (HW4) to screw in the Bolts.



3

Place the Coffee Table in the place where you will use it. We'd love to see it.

