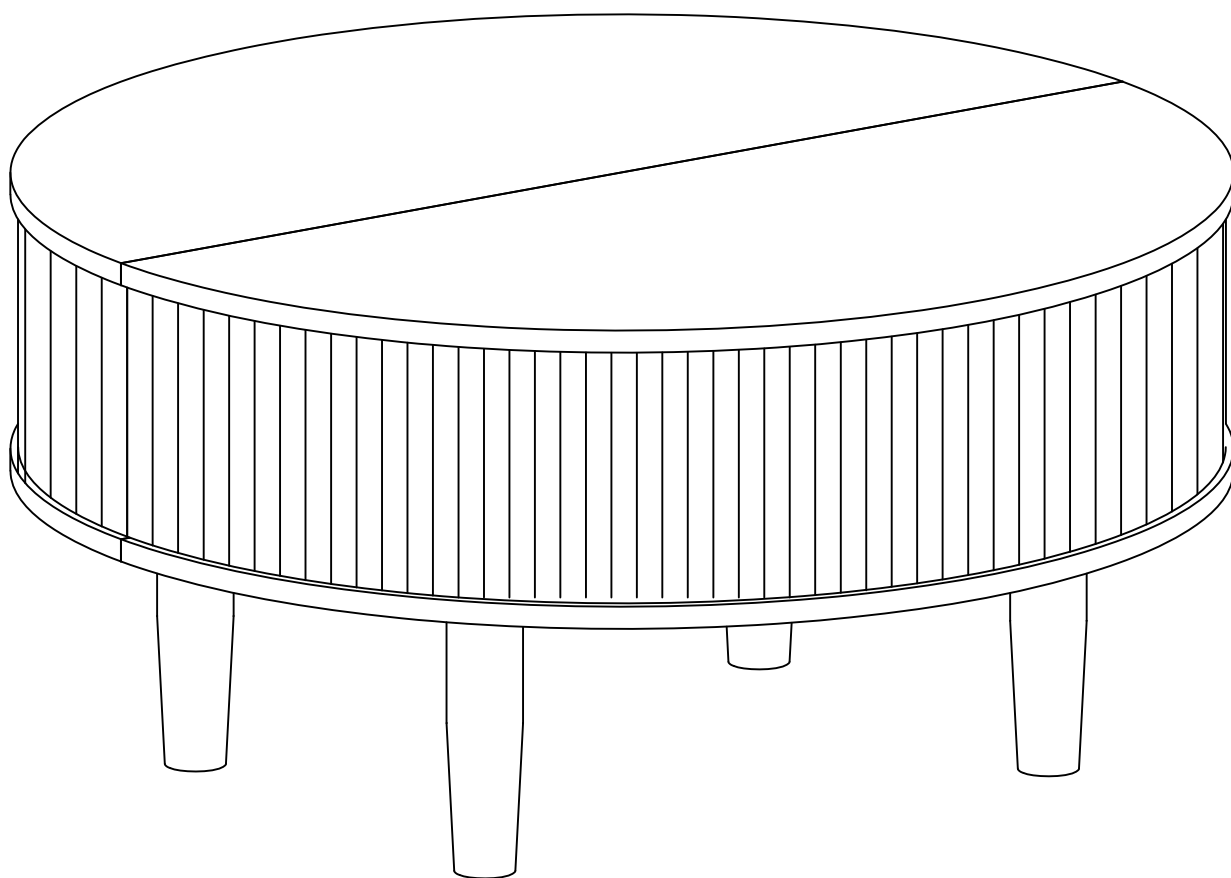


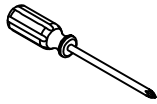
Installation instruction



Assembling

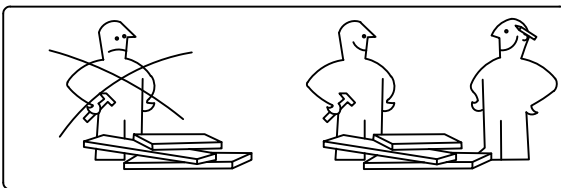
What you need

- Use the packaging carton as a working surface to prevent product damage during assembly
- Phillips head screwdriver



Weight Limitation

 **100** | **35**
lbs table top lbs per

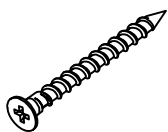


What's included

Code	Description	Qty
A	Screw M4X40MM	11
B	Screw M4X14MM	18
C	Screw M4X14MM	44
D	Screw M6X25MM	4
E	Screw M6X12MM	16
F	Screw M6X30MM	8
G	Wooden Dowel M8X30MM	10
H	Cam Bolt M6X35MM	4
I	Cam Lock 15X12MM	4
J	Screw wrench	1
K	Left Lifter	1
L	Right Lifter	1
M	Door panel hinge	3

The Hardware

A x 11



Ø4x40mm

B x 18



Ø4x14mm

C x 44



Ø4x14mm

D x 4



M6x25mm

E x 16



M6x12mm

F x 8



M6x30mm

G x 10



Ø8x30mm

H x 4



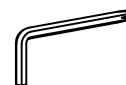
Ø6x35mm

I x 4



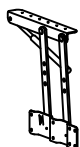
Ø15x12mm

J x 1

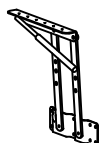


M4

K x 1



L x 1



M x 3



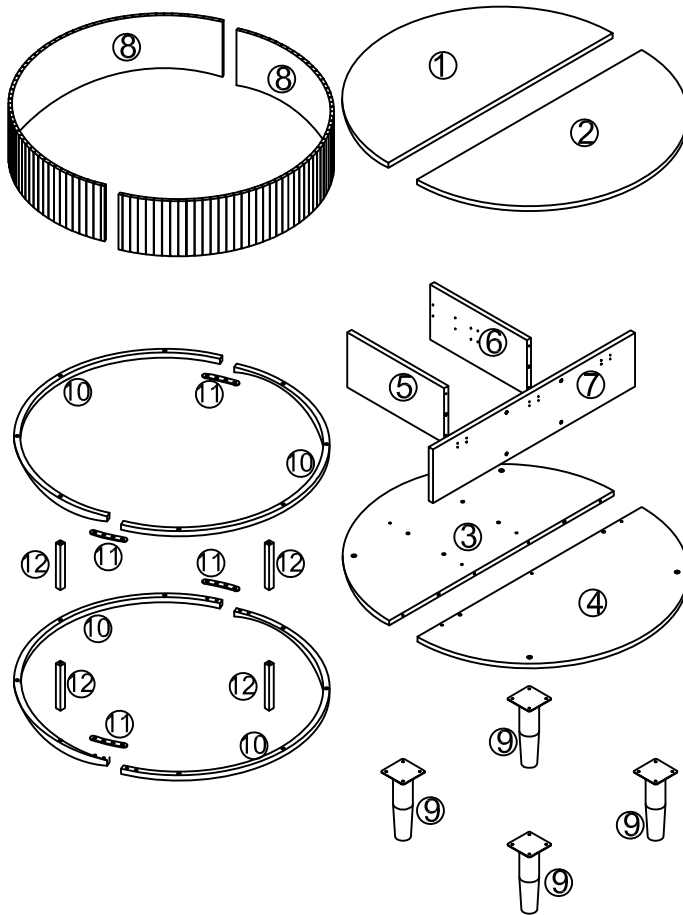
IMPORTANT:

1. Do not tighten bolts / screws completely until all bolts / screws are lined up and inserted into holes.
2. Do not over tighten screws and bolts to avoid stripping
3. Please use hand tools to assemble this product, You can also use power tools (please use power tools carefully)




Included Accessories

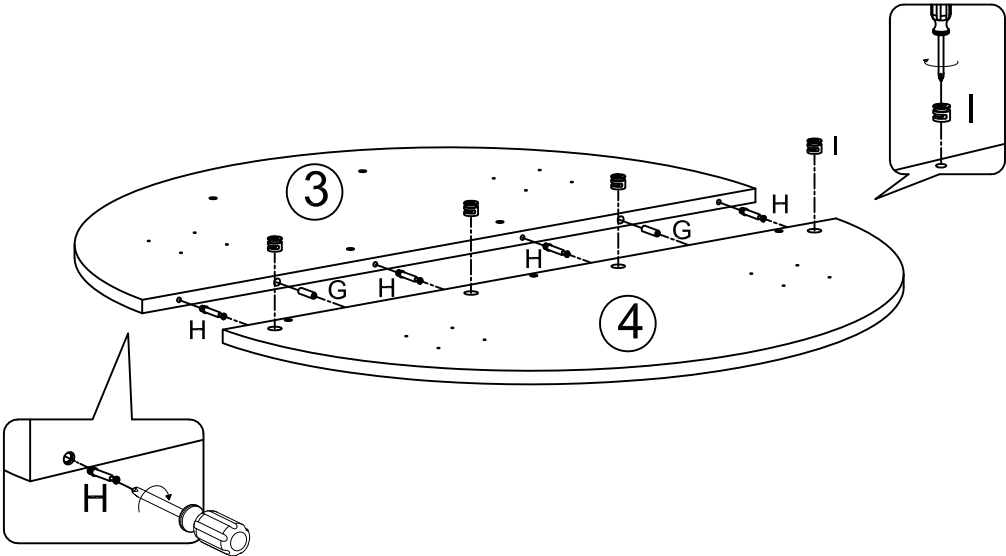
Code	Description	Qty
1	Left Top Panel	1
2	Right Top Panel	1
3	Left Bottom Board	1
4	Right Bottom Board	1
5	Short Upright Board	1
6	Short Upright Board	1
7	Long Standing Board	1
8	Side Panel	2
9	Support Foot	4
10	Semi-circular iron frame	4
11	Connect Metal plate	4
12	supporting metal tube	4

The Accessoriess




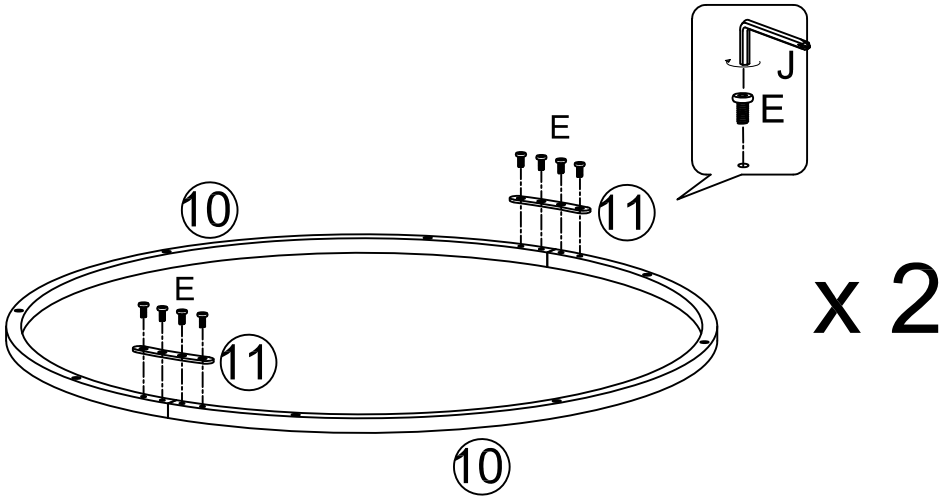
Step 1

G x 2	H x 4	I x 4
		

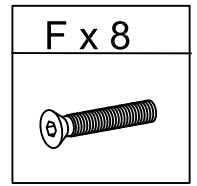
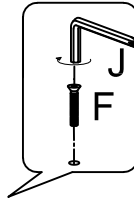
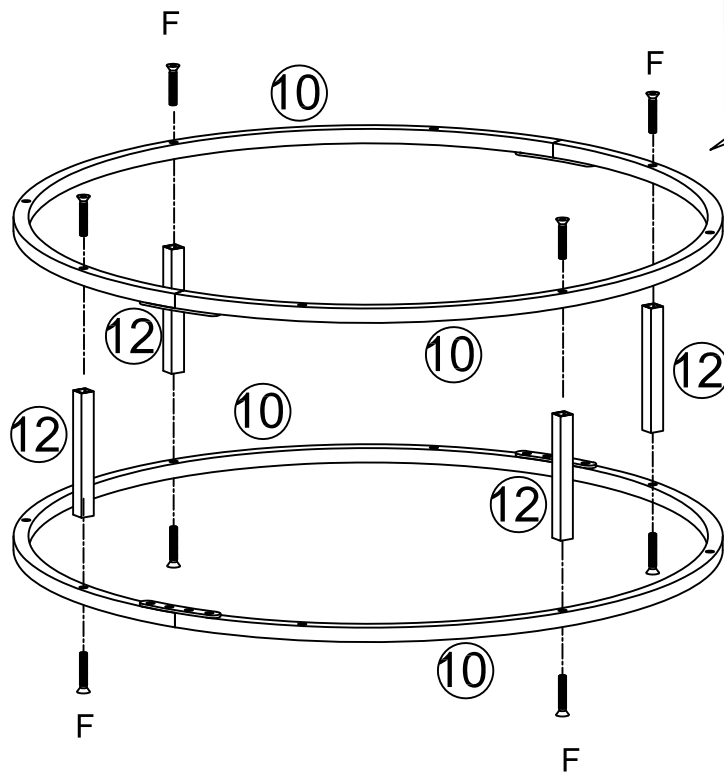


Step 2

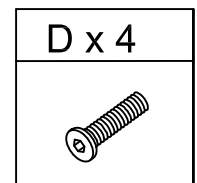
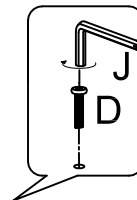
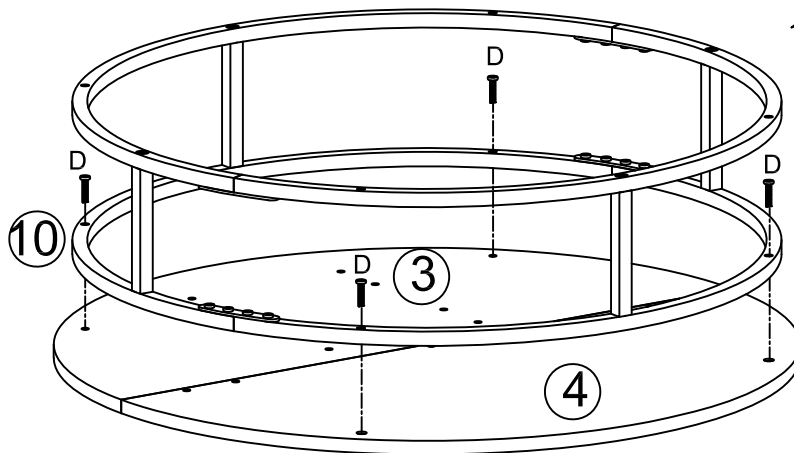
E x 16





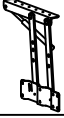
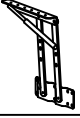
Step 3

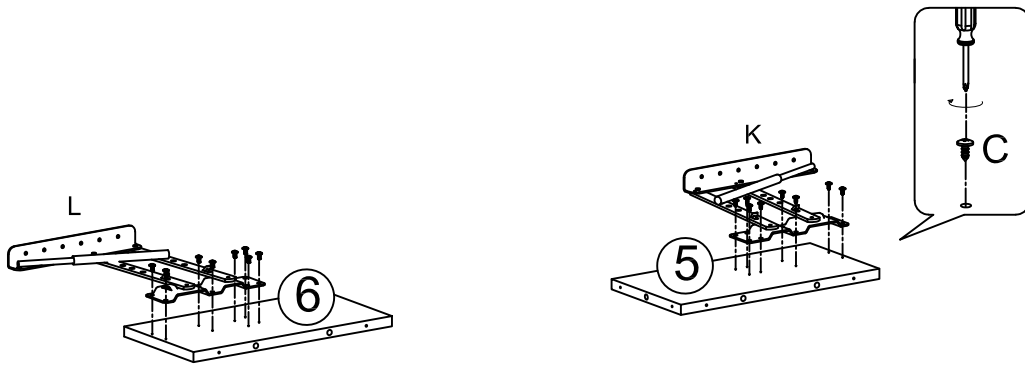


Step 4




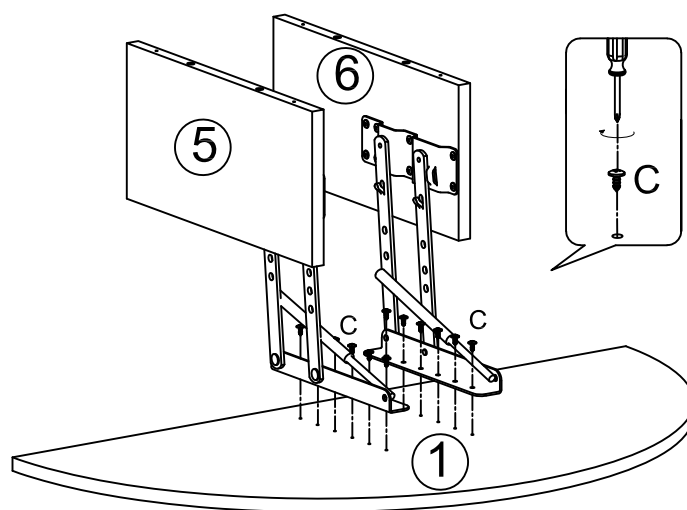
Step 5

C x 16	K x 1	L x 1
		





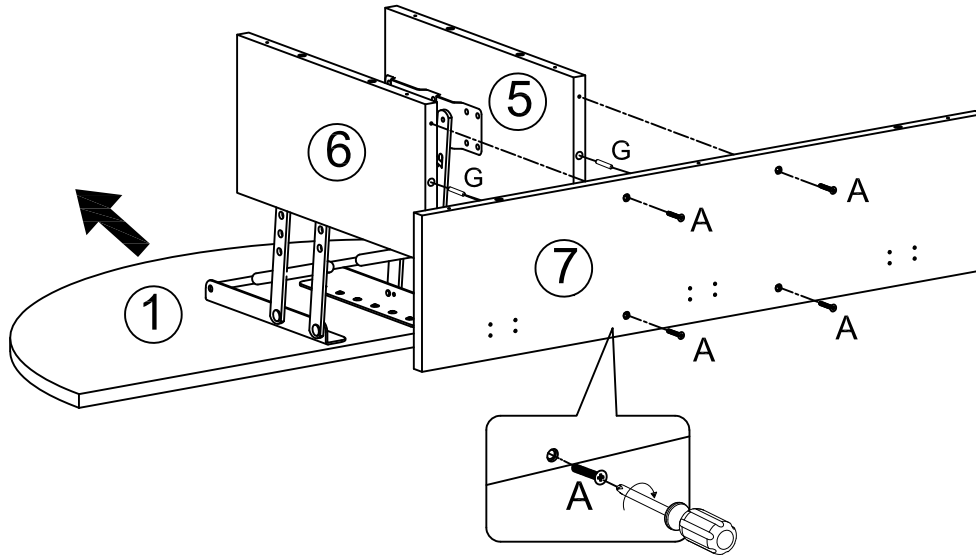
Step 6

C x 12


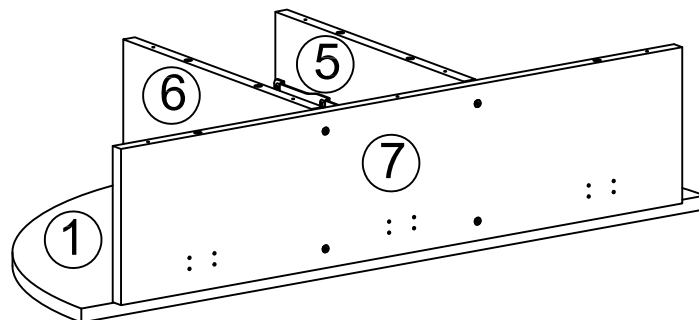


Step 7

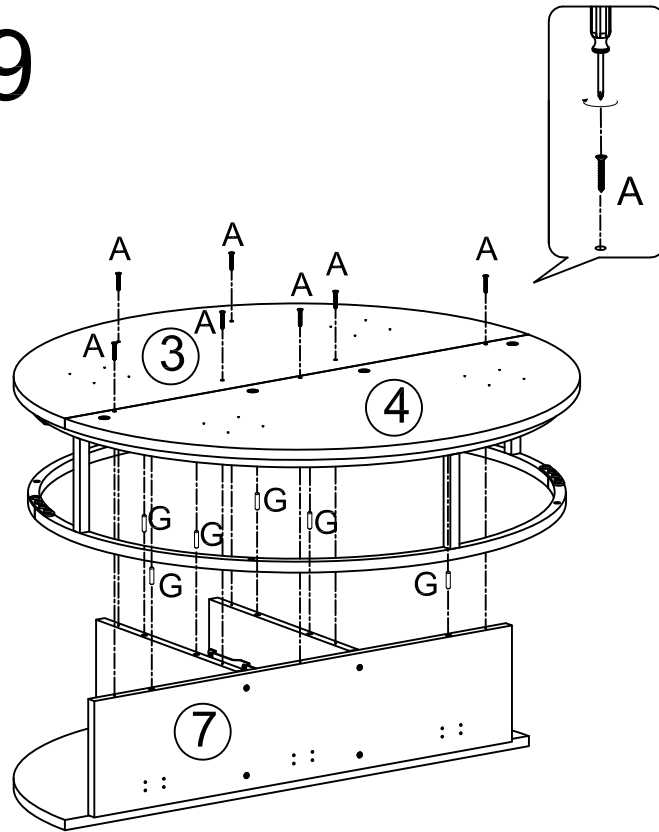
A x 4	G x 2
	





Step 8

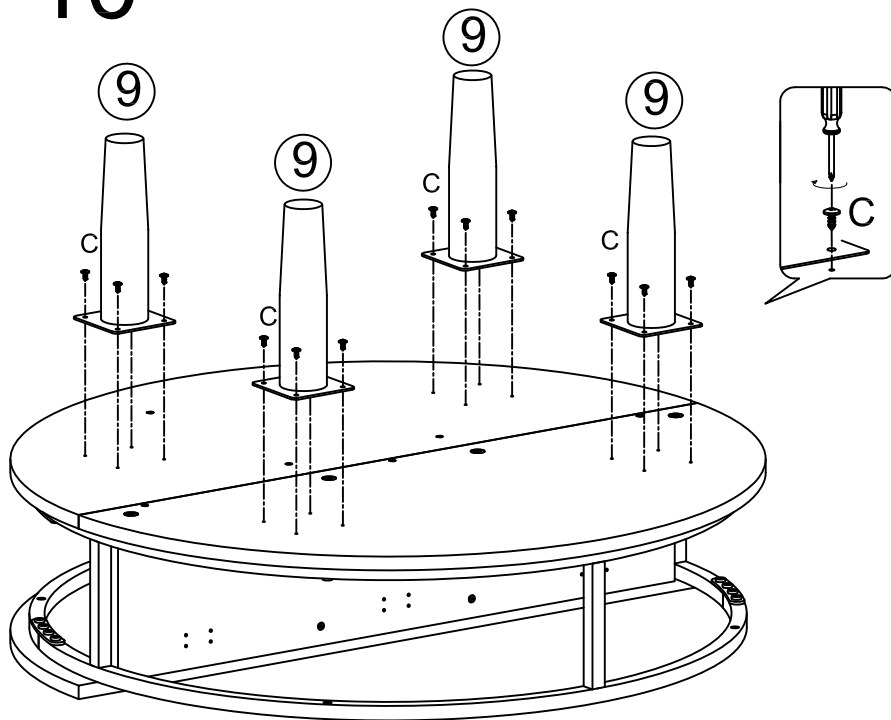



Step 9



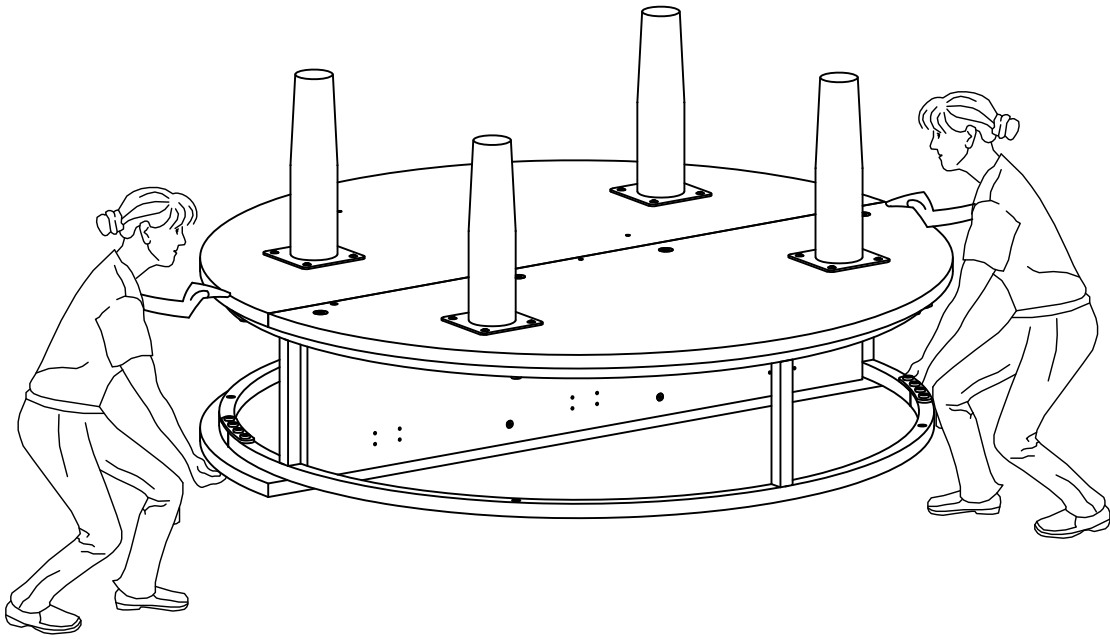
A x 7	G x 6
	

Step 10

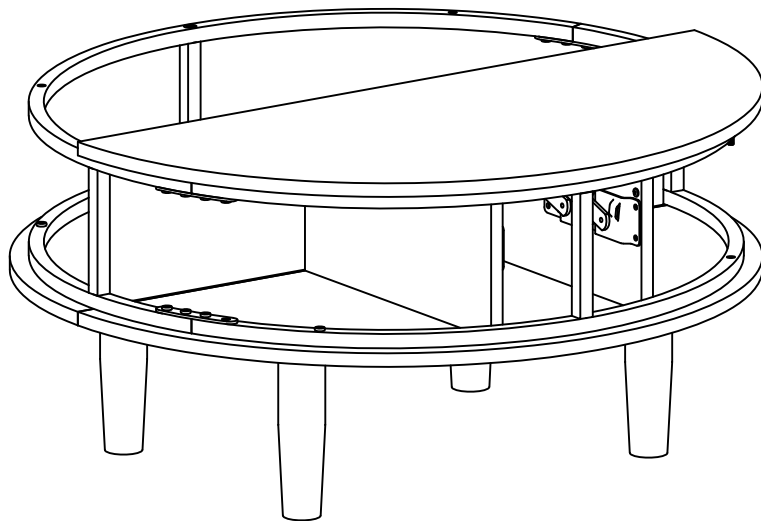
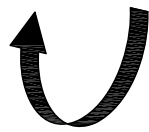


C x 16




Step 11

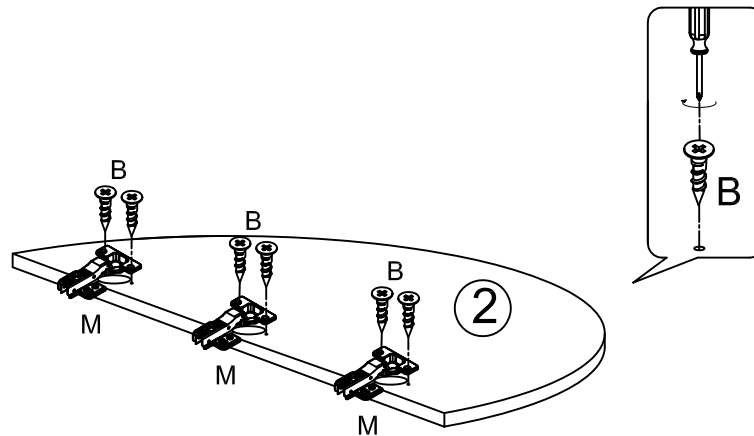


Step 12




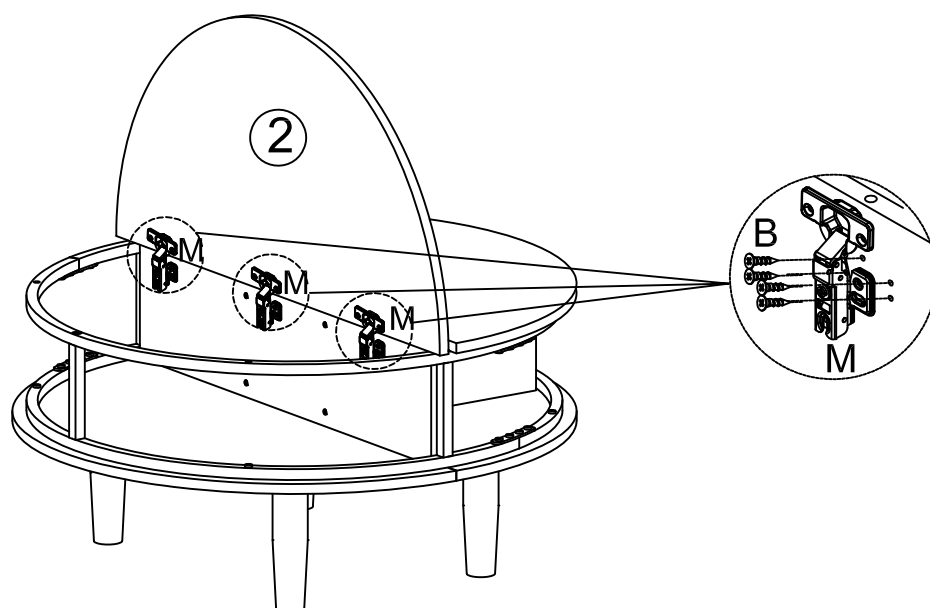
Step 13

B x 6	M x 3
	

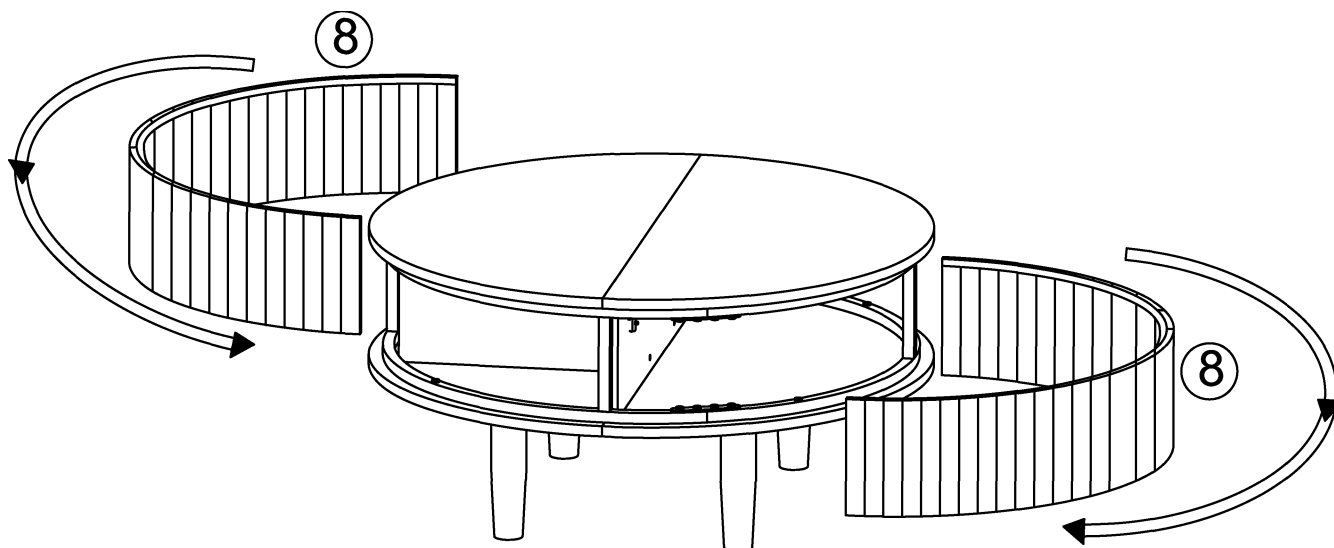


Step 14

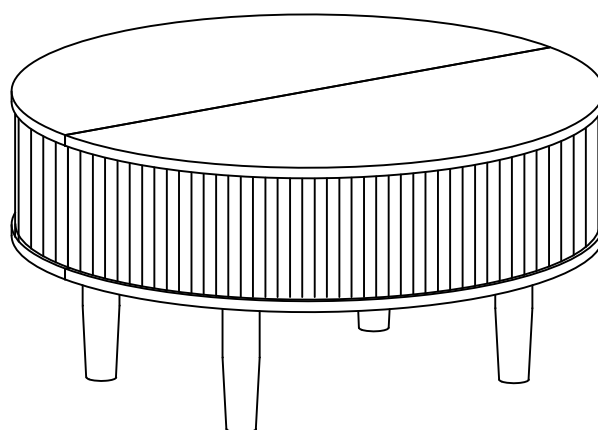
B x 12




Step 15



Step 16



Two people work together to move the table.
Make sure you lift it off the ground.
Don't push and pull.