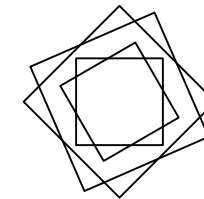
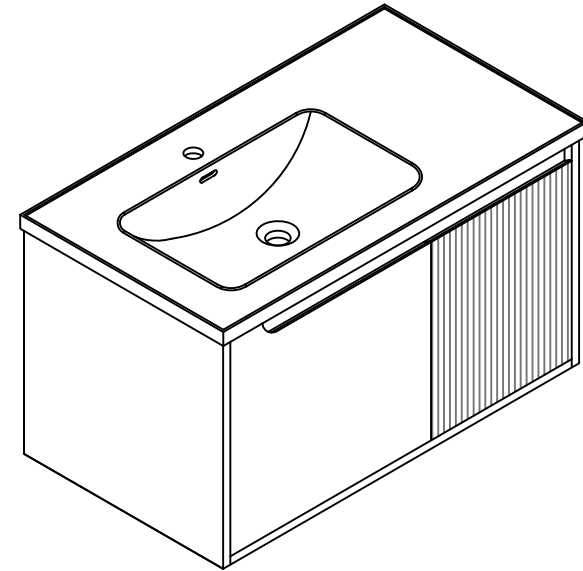


THANKS FOR WATCHING


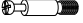



Your feedback is invaluable to us and we would love to hear about your experience. Please take the time to leave us a review.


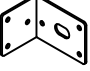







Thank you for shopping with us!

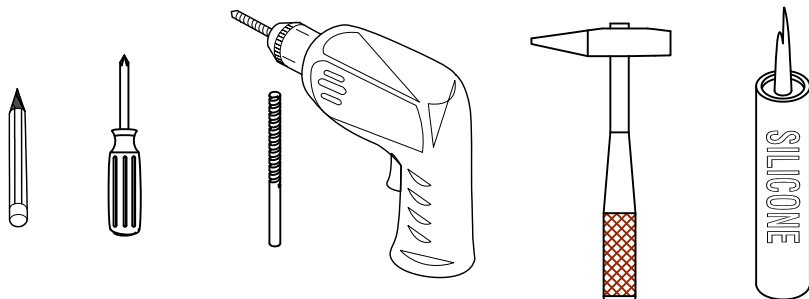
We encourage you to take a few minutes to go through this booklet. It contains important information on installation and care tips to keep your furniture looking as good as new.

Hardware

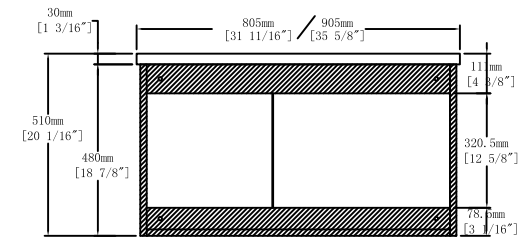
NO.	Draw	QTY
A	 Screws Ø4x14mm	44
B	 Two-in-one connector	17
C	 Two-in-one connector	17
D	 Wood plug	4
E	 Plastic anchor(Ø10mm)	4

NO.	Draw	QTY
F	 Screws for fix on the wall	4
G	 Bracket (53x70x44mm)	2
H	 Bracket (19x19x35mm)	2
I	 Hinges (Internal hiding)	4
J	 Anti-collision gasket	2
K	 Door stopper	2
L	 Screwdriver	1

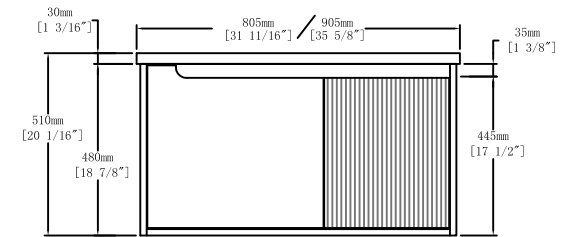
Recommended tools



Dimensions



Back View

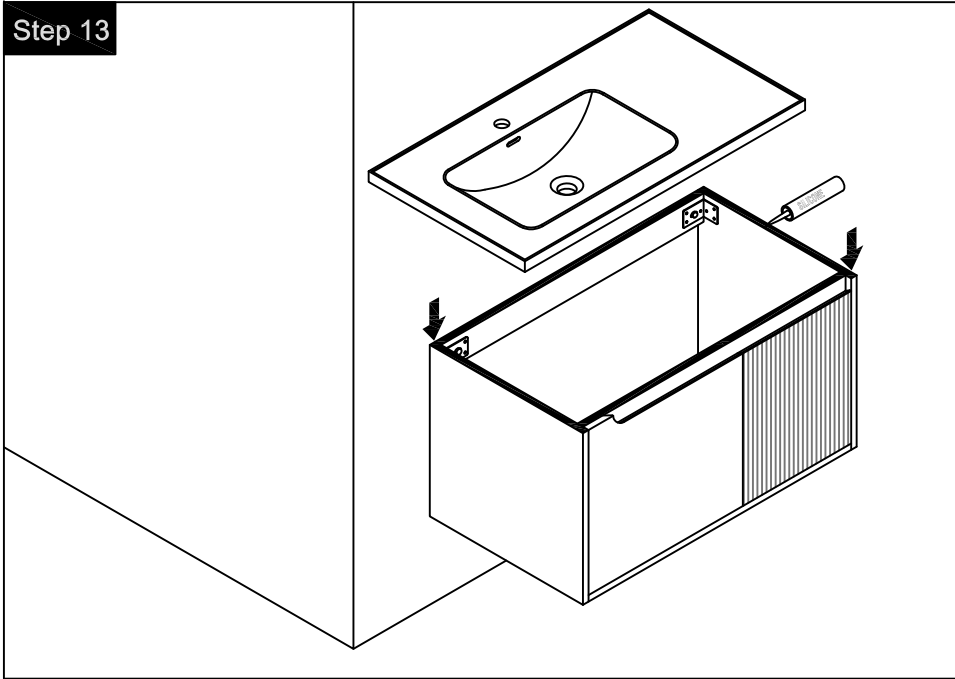


Front View

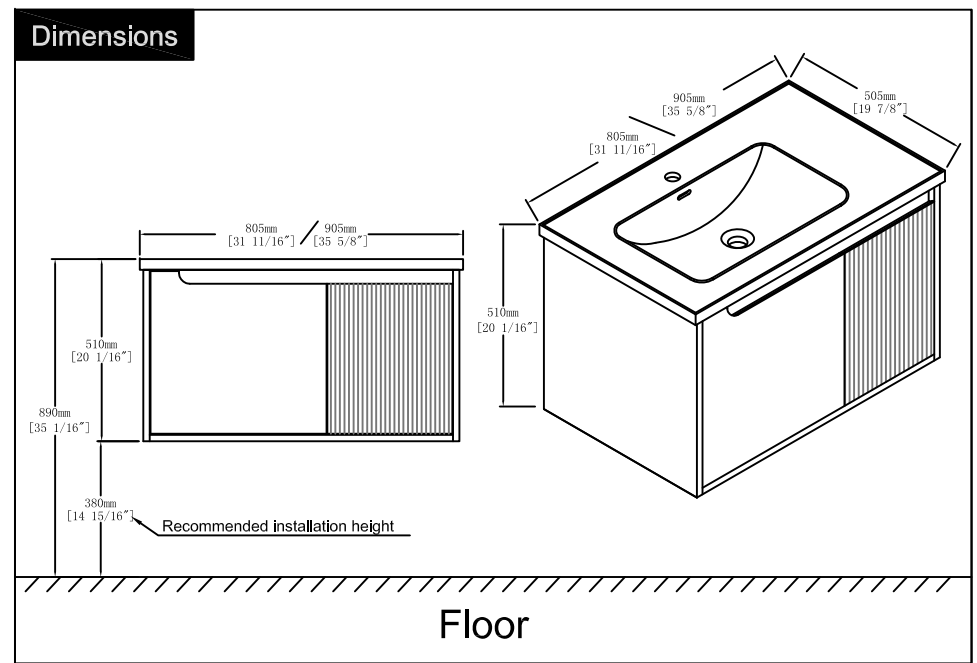
CARE CLEANING AND MAINTENANCE

1. Dust regularly with a soft , dry cloth.
2. Avoid the use of all chemicals household cleaners, abrasives, or cleaners that contain lemon, vinegar, or other acids that may damage the finish.
3. Excessive exposure to sunlight and extreme changes in temperature and moisture can damage wood furniture.
4. The sink top is resilient, but care needs to be taken to preserve its appearance.
5. Do not place hot appliances, such as curling irons and hot hair dryers directly on the countertop. Wipe spills immediately.

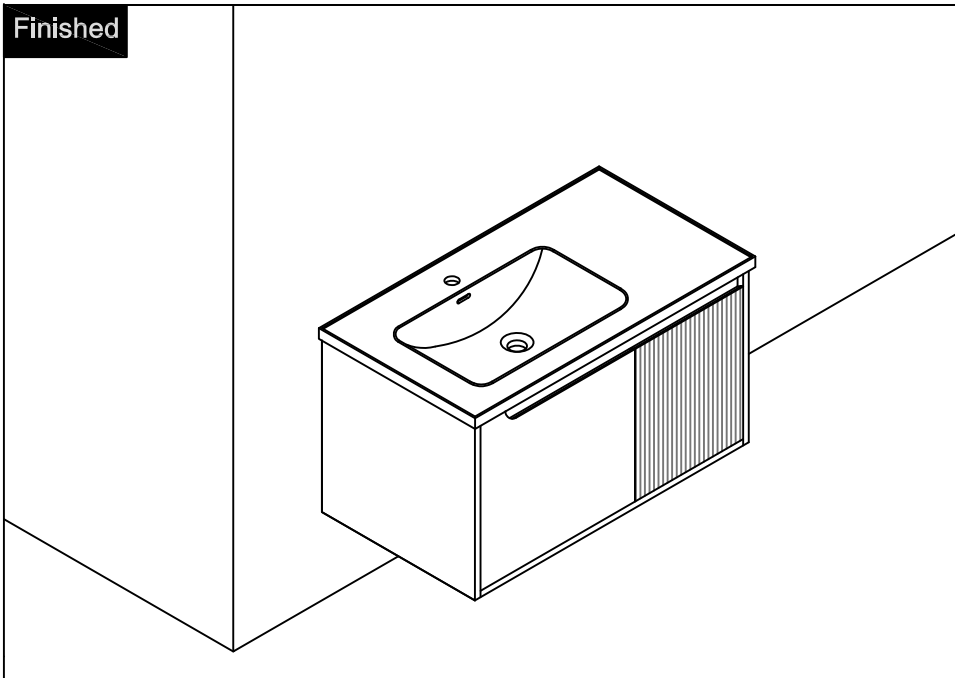
Step 13



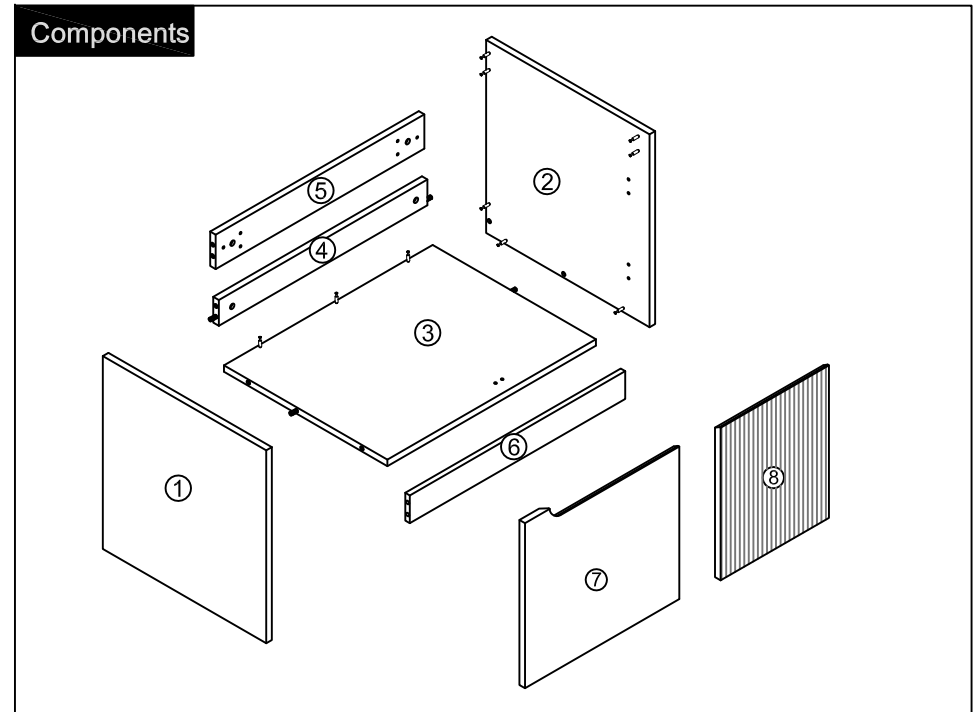
Dimensions



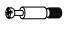

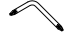
Finished

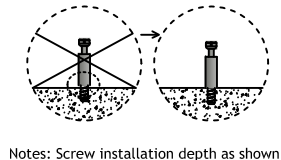
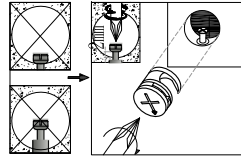
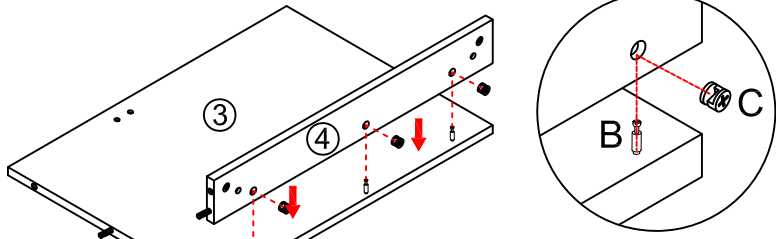


Components

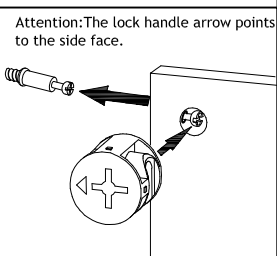


Step 1

-  x3
- B**
-  x3
- C**
-  x1
- L**

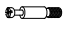


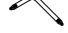


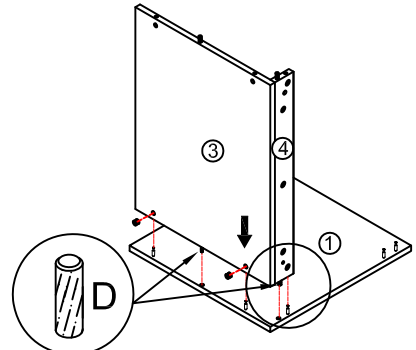
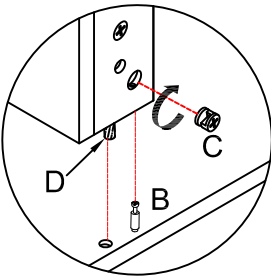
Notes: Screw installation depth as shown



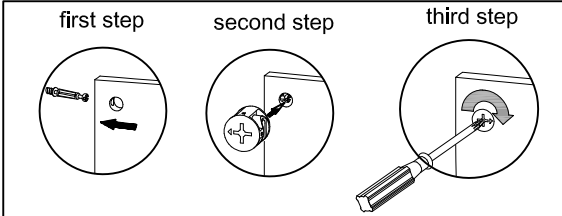
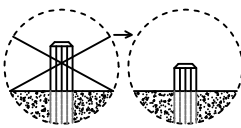
Attention: The lock handle arrow points to the side face.

Step 2

-  x3
- B**
-  x3
- C**
-  x2
- D**
-  x1
- L**



Note: The D parts are used for these two holes


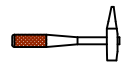


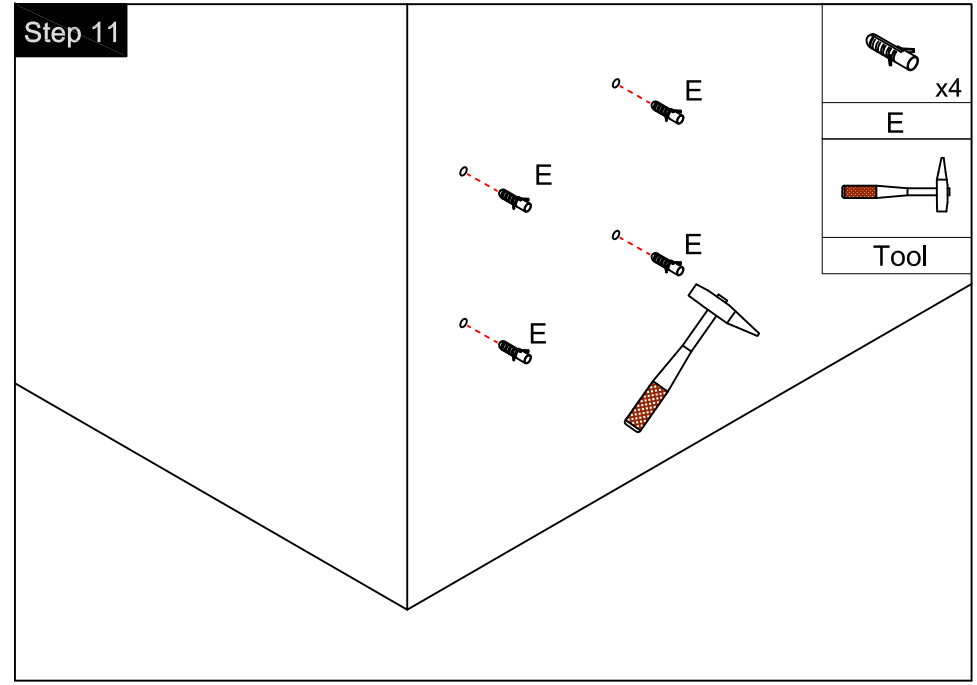
first step

second step

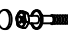

third step

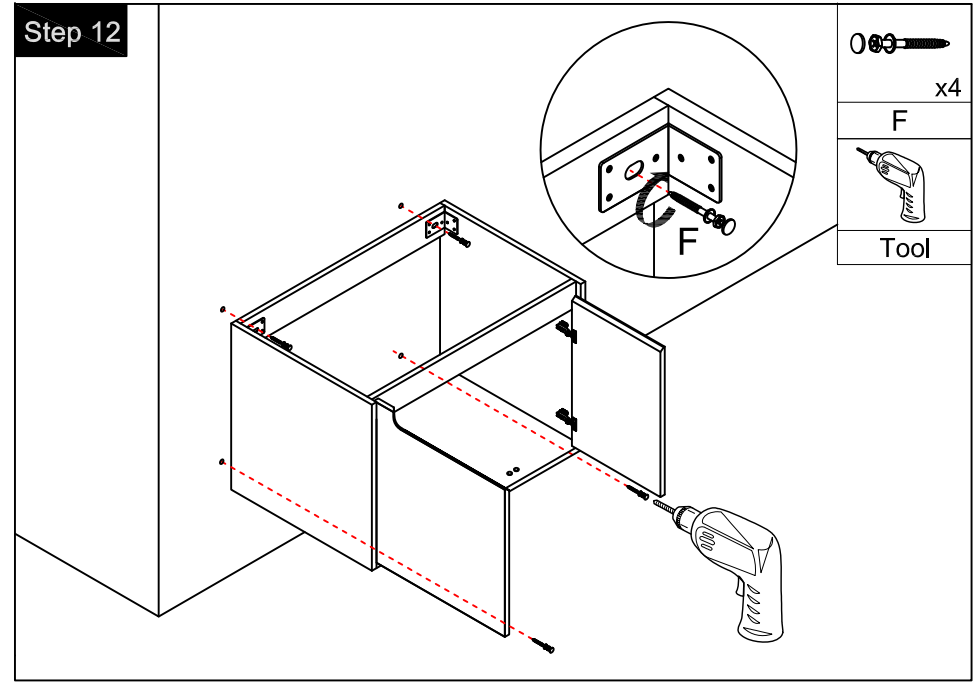
Step 11

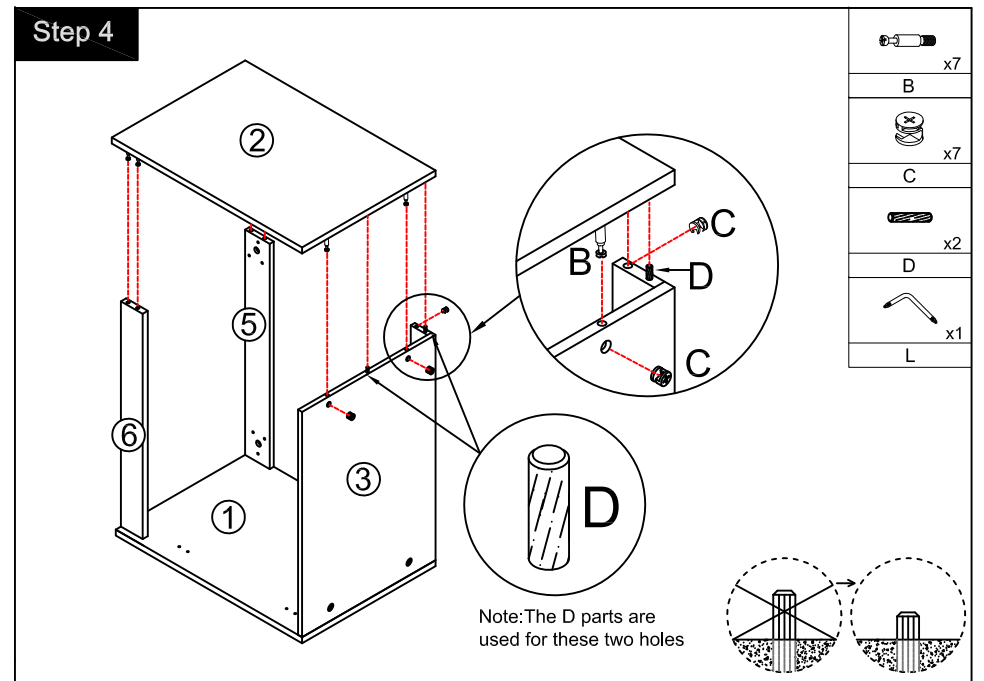
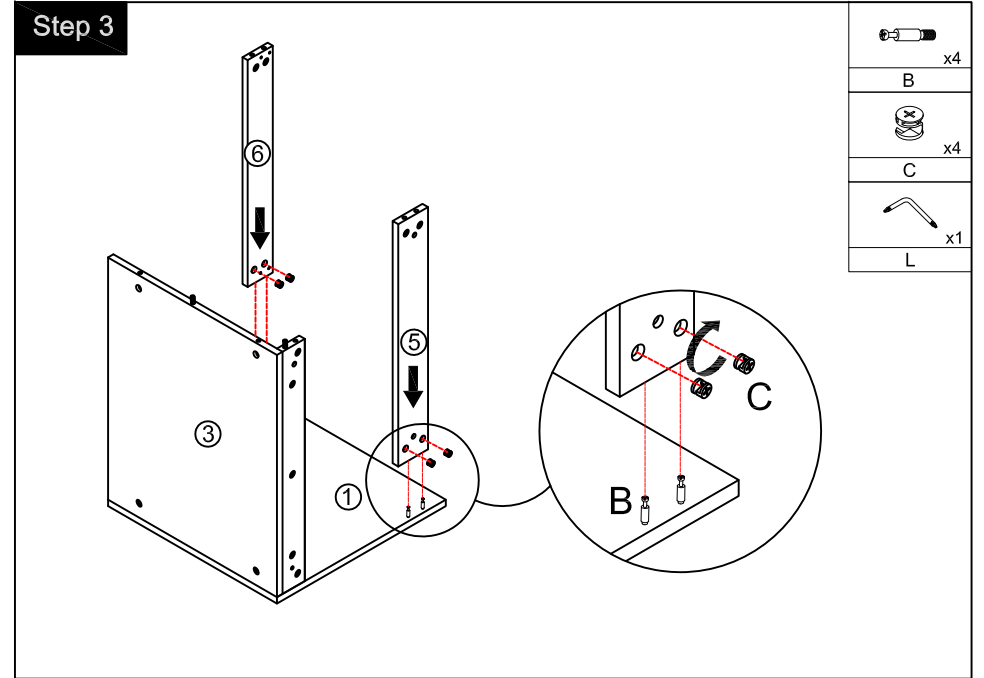
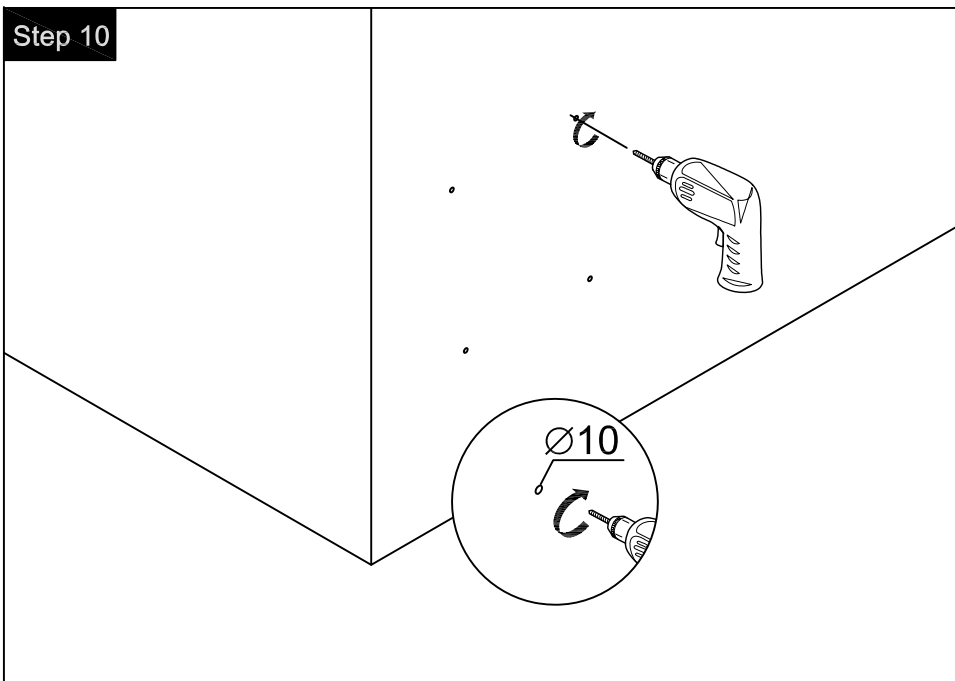
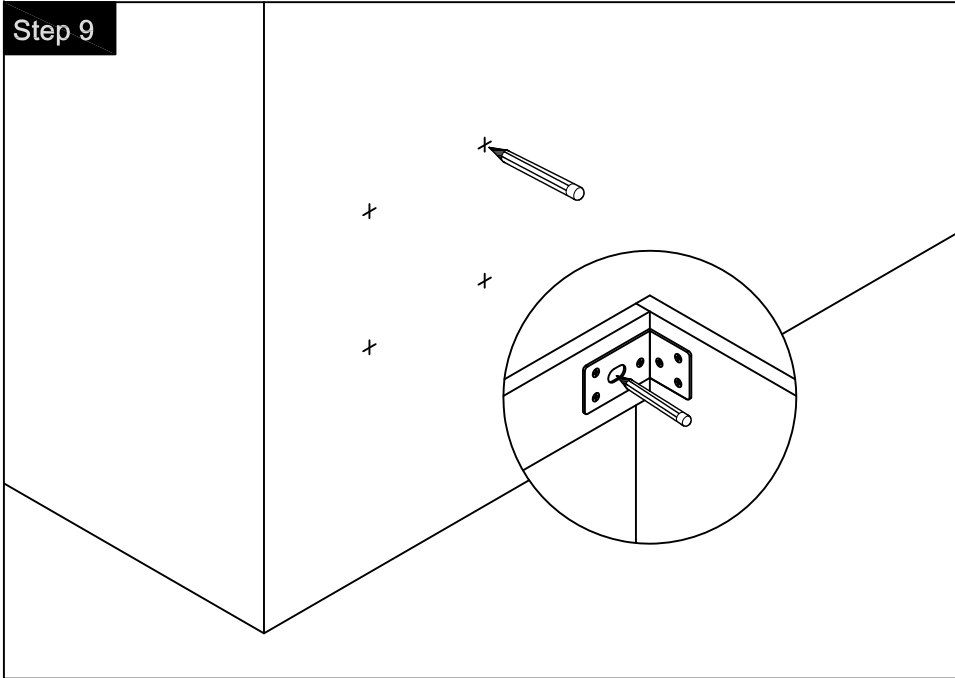
-  x4
- E**
- 
- Tool**



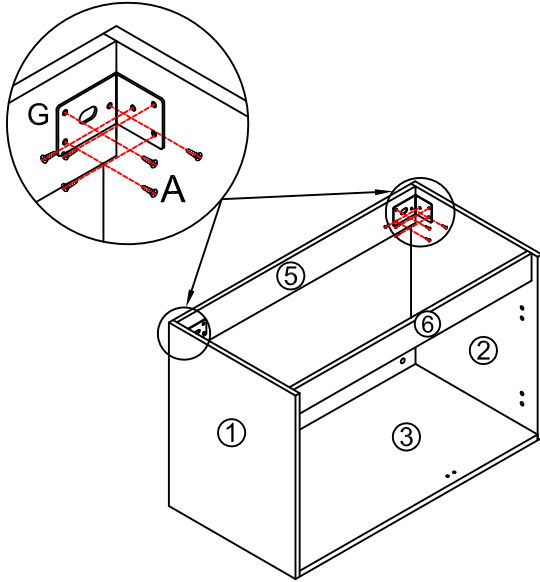
Step 12




-  x4
- F**
- 
- Tool**



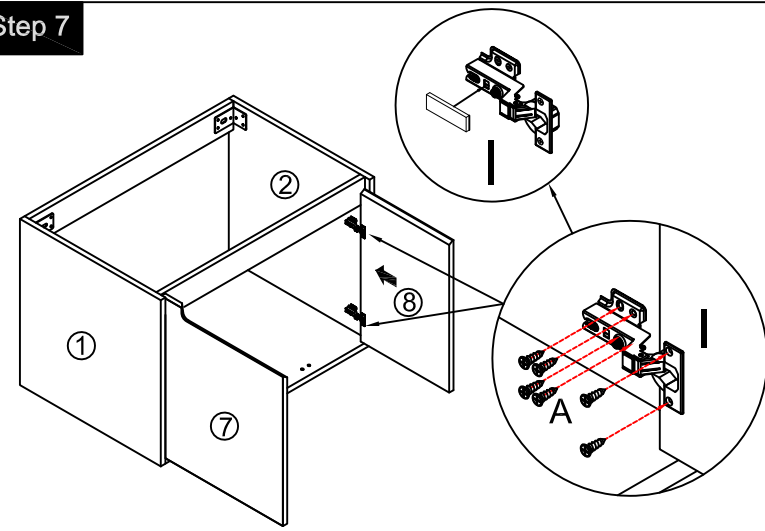


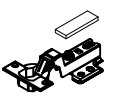


Step 5



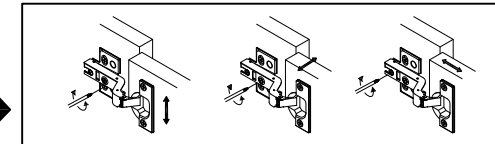
	x2
G	(∅4 x 14mm)
	x12
A	
	
Tool	

Step 7

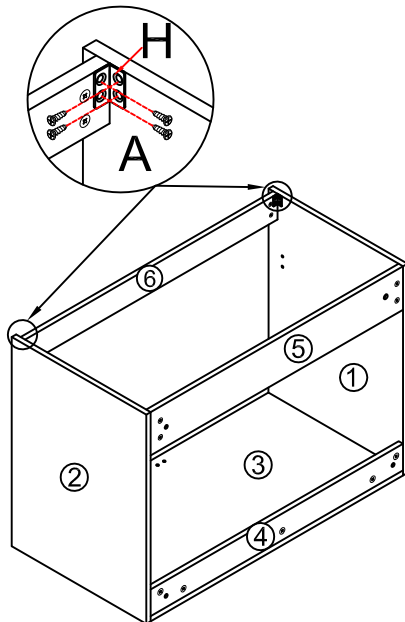





	x4
I	(∅4 x 14mm)
	x24
A	
	
Tool	

You can adjust the doors by tightening or loosening the screws on the hinge. →

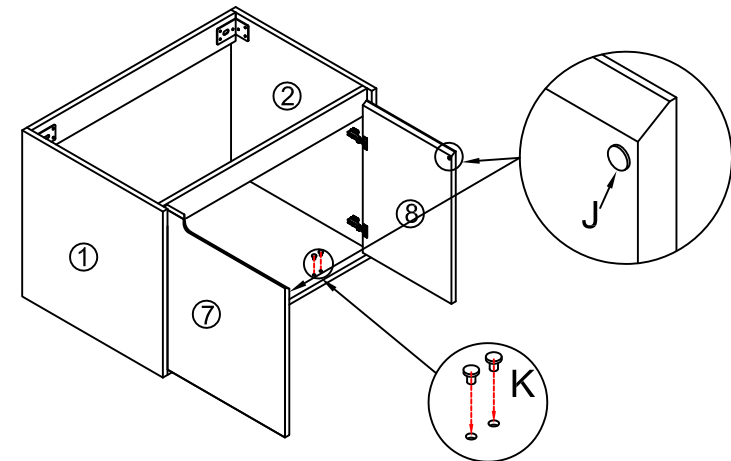




Step 6



	x2
H	(∅4 x 14mm)
	x8
A	
	
Tool	

Step 8



	x2
J	
	x2
K	