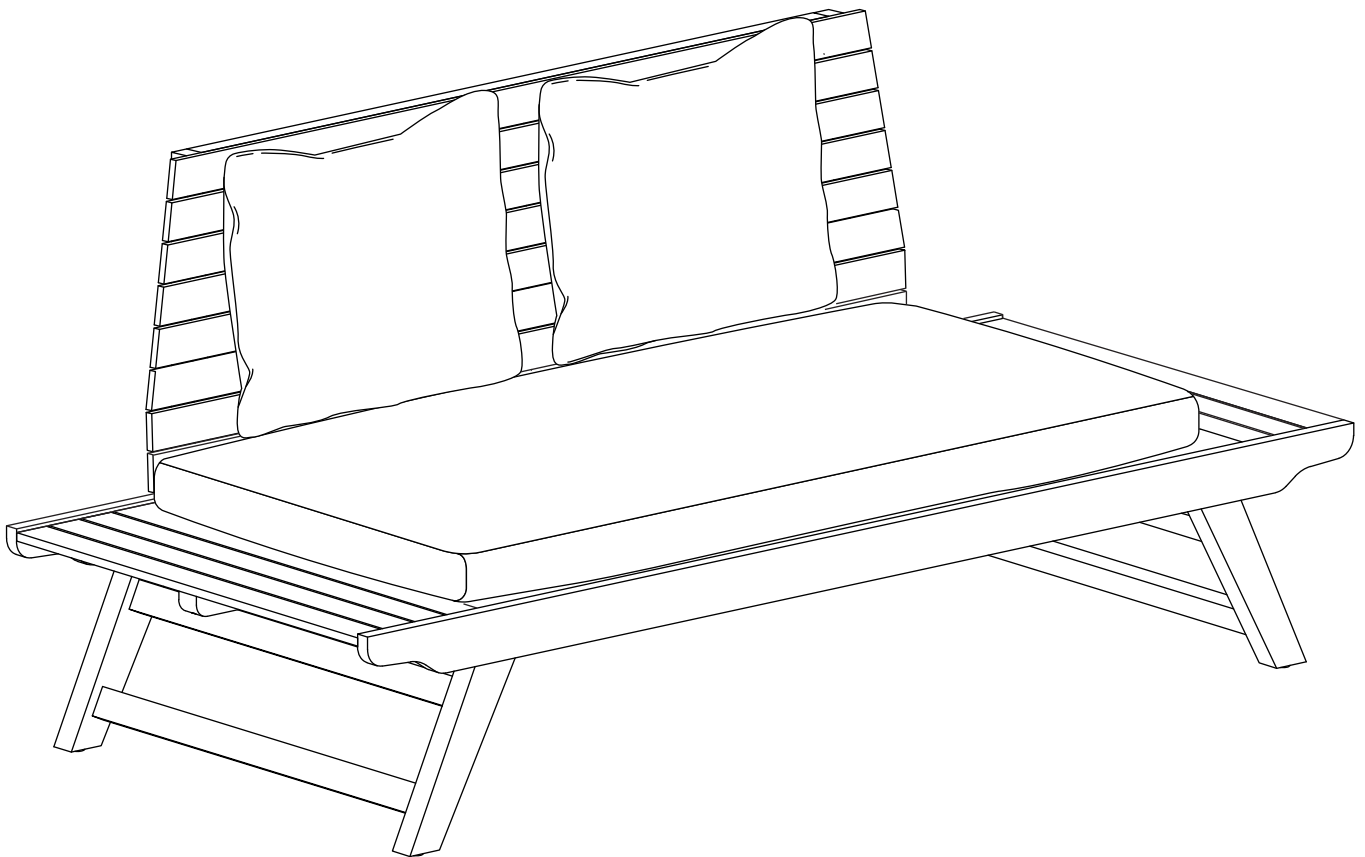


# Assembly Instructions.

**Caution:** You must read this **Assembly Instructions** before you proceed.

Please look in the **Leg Frame** for all hardware.

## Loveseat.

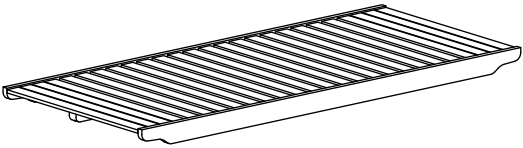
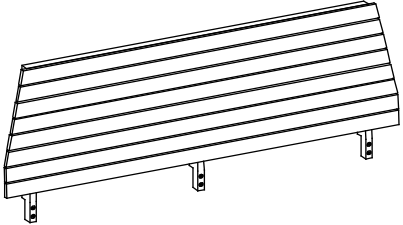
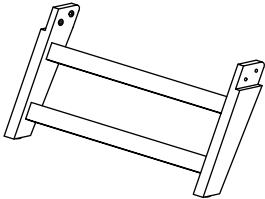
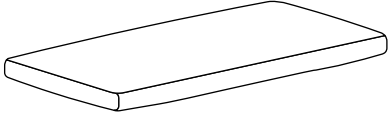
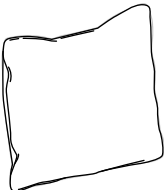


**CAUTION :** This Loveseat is NOT a TOY.



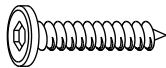


Keep your child / children at bay during the assembly process.

Whenever lifting or moving the Loveseat and to prevent damage to the Loveseat, two adult partners may be needed to execute these actions.

## Parts List:

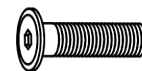
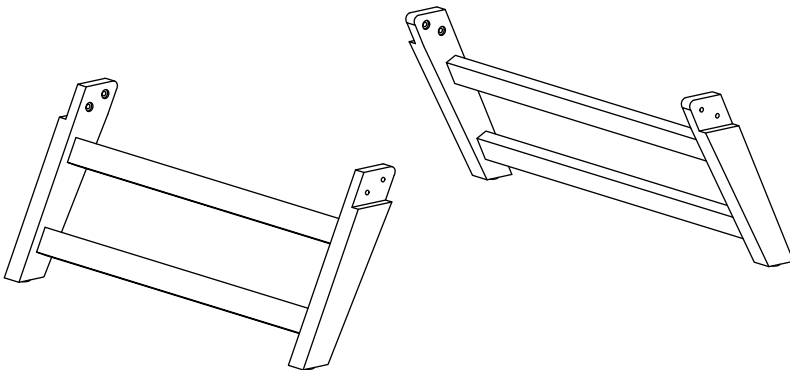
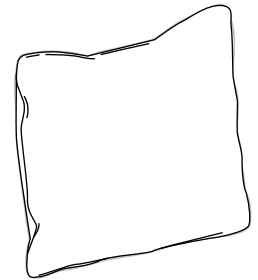
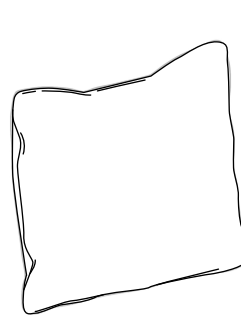
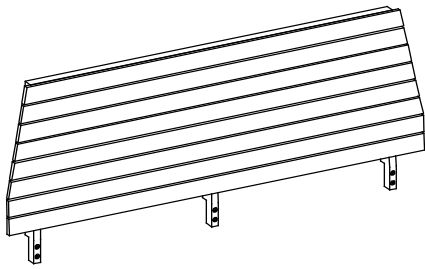
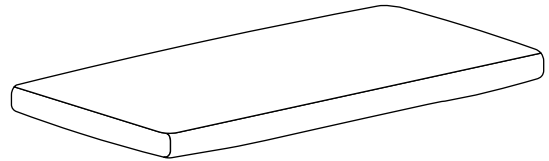
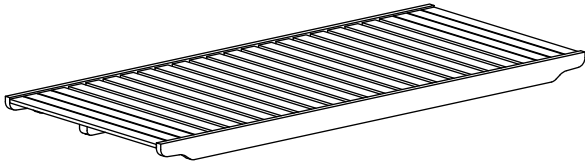
Label	Picture	Description	QTY
A		Seat Panel	1
B		Backrest Panel	1
C		Leg Frame	2
D		Seat Cushion with Pre-sewn 'magic tape' at the underside	1
E		Pillow	2

## Hardware:

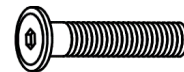
Label	Picture	Description	QTY
①		Bolt (M6x30mm)	9
②		Bolt (M6x40mm)	7
③		Screw (M6x40mm)	4
④		Allen Wrench	2
⑤		Sleeve Nut (M6x15mm)	7

# Assembly Preparation:

## Before Beginning Assembly:



X 9



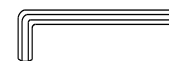
X 7



X 4



X 7



X 2



**Read instructions, cover to cover.**



**Have 2 adult partners in the assembly.**



**Do not assemble on flooring or carpet.**



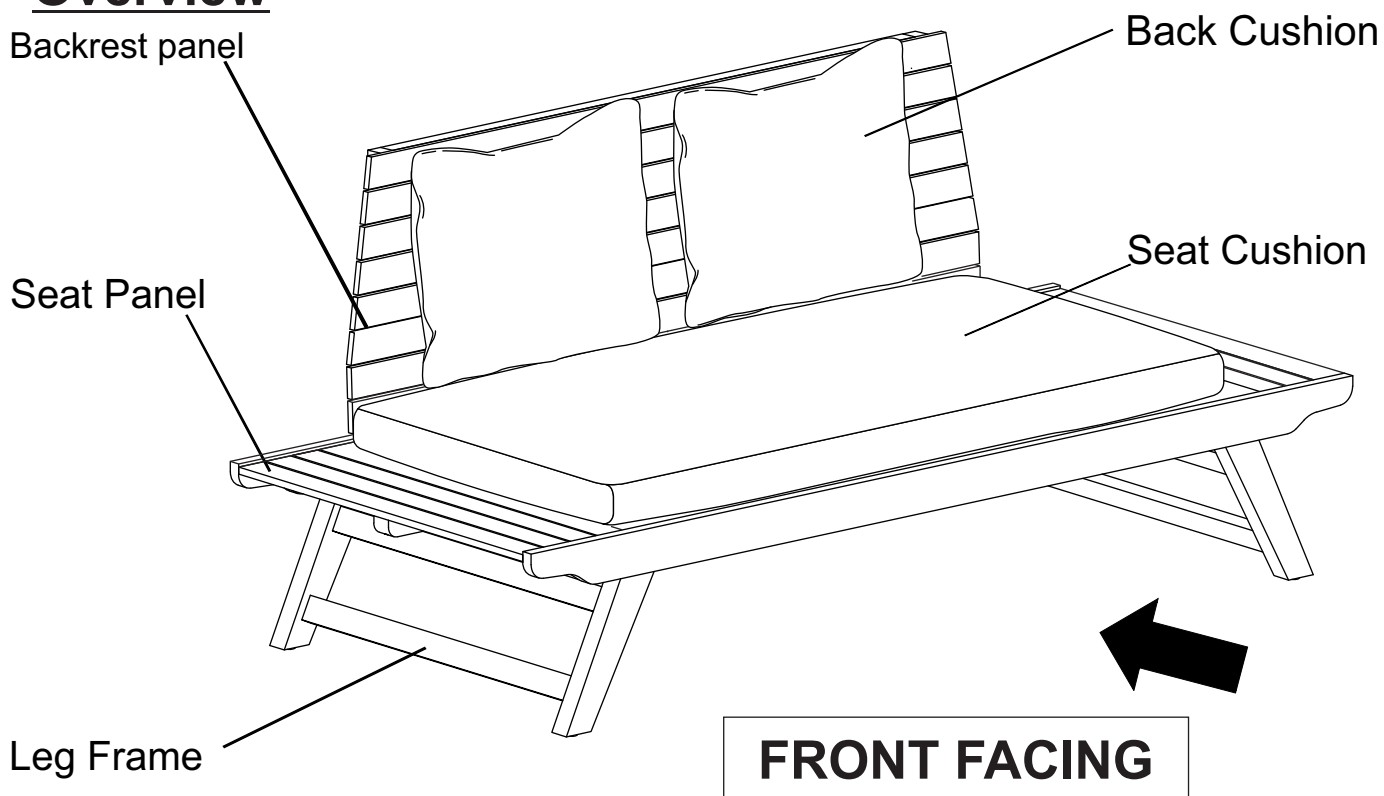
**Assemble on a clean non-marring surface**



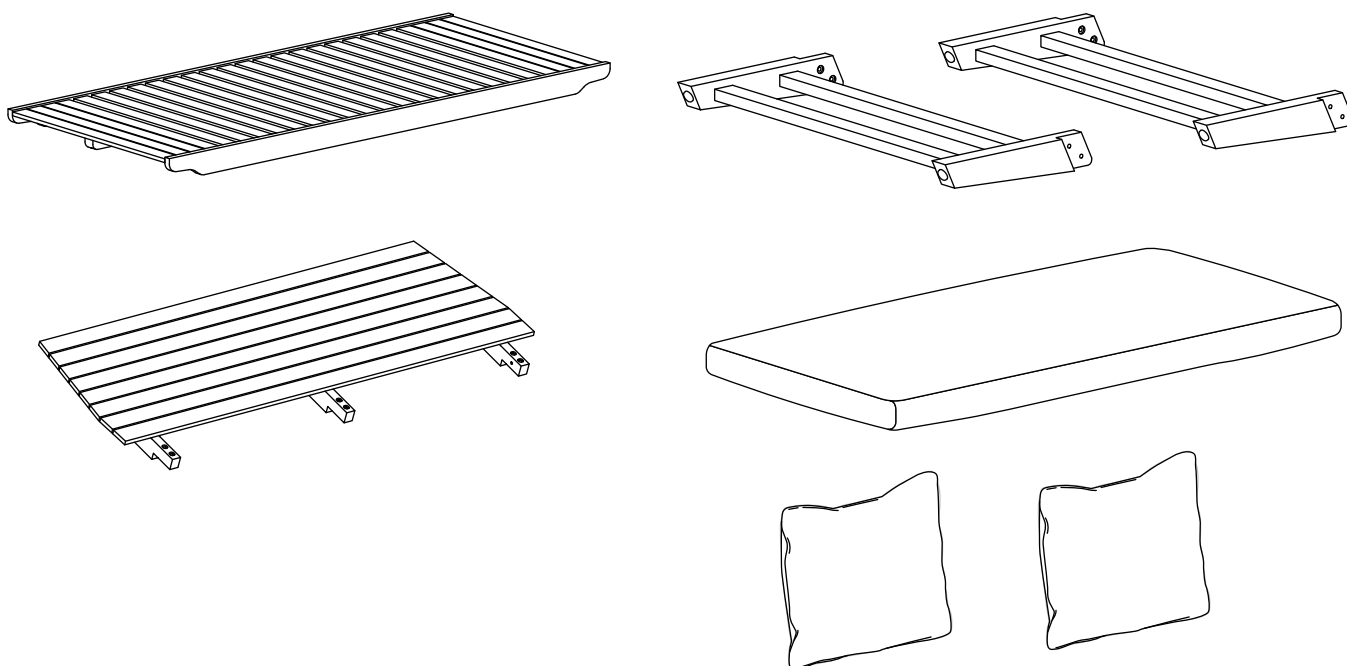
**Save all packaging until completion of assembly.**

# Assembly Steps:

## Overview

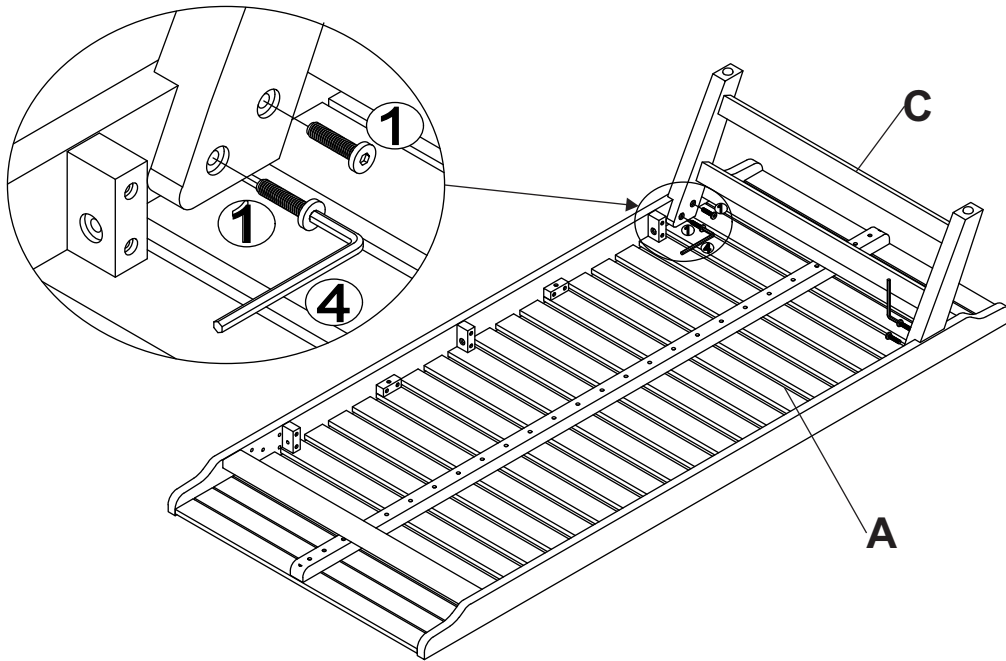


This Loveseat has multiple parts and may require up to 40 minutes to assemble. To give you an overview of the Loveseat parts, the above picture is to help you put the various parts into perspective. Please read through the instructions below to familiarise yourself with the parts and steps before assembly.



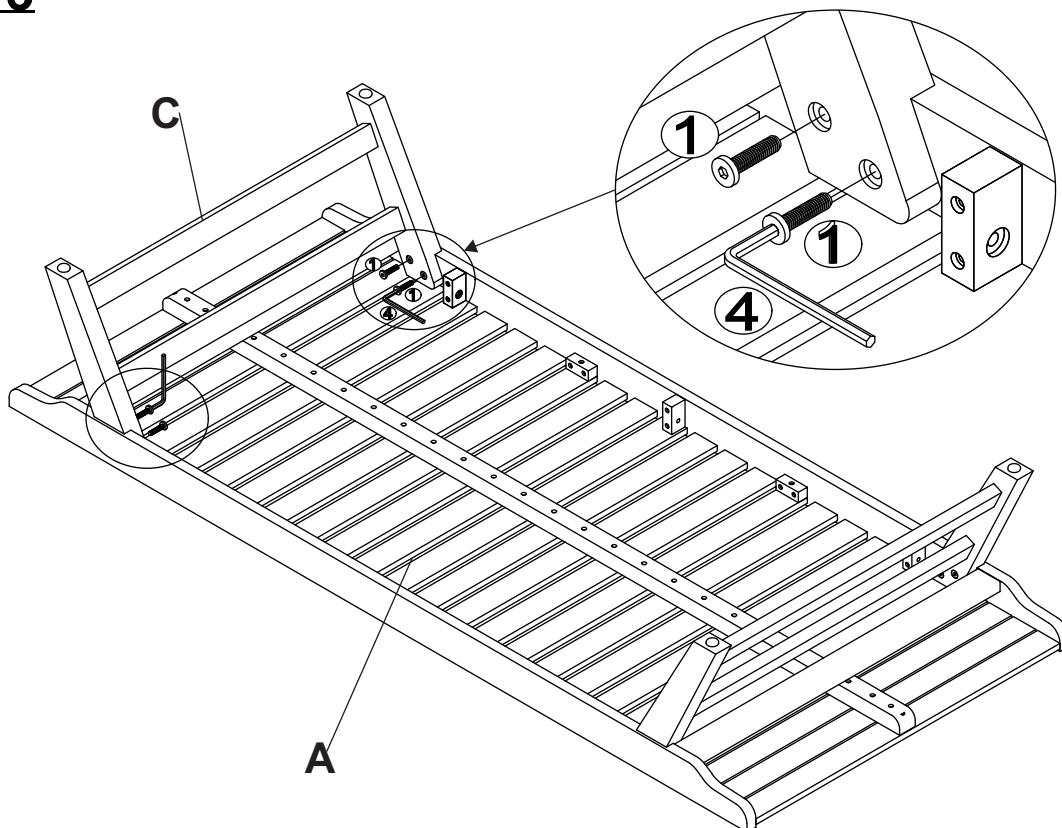
Unpack and place all parts on a clean, non-marring surface.

## Step 2



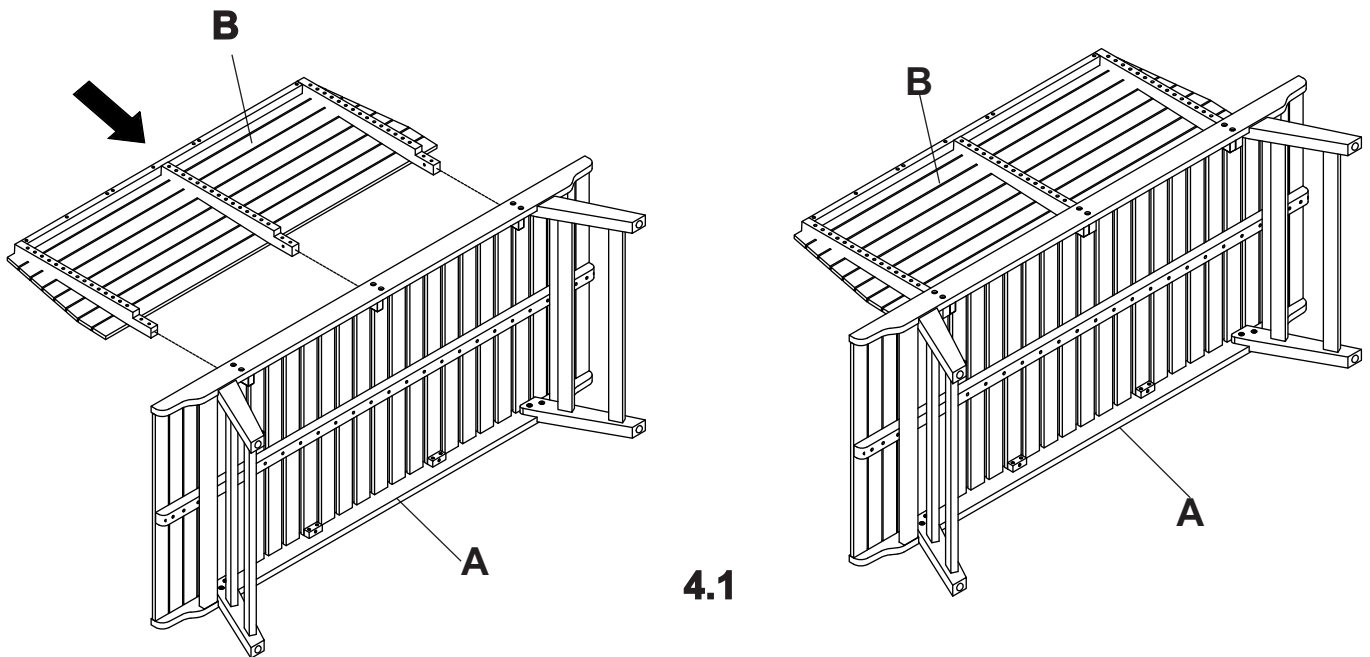
With assistance from your adult partners, turn Seat Panel (A) (bottom-side up) and place on a clean, non-marring surface to avoid any scratches or damage to the product. Attach Leg Panel (C) to Seat Panel (A) using Bolts (①) and the Allen Wrench (④). **DO NOT** fully tighten the Bolts at this time.

## Step 3

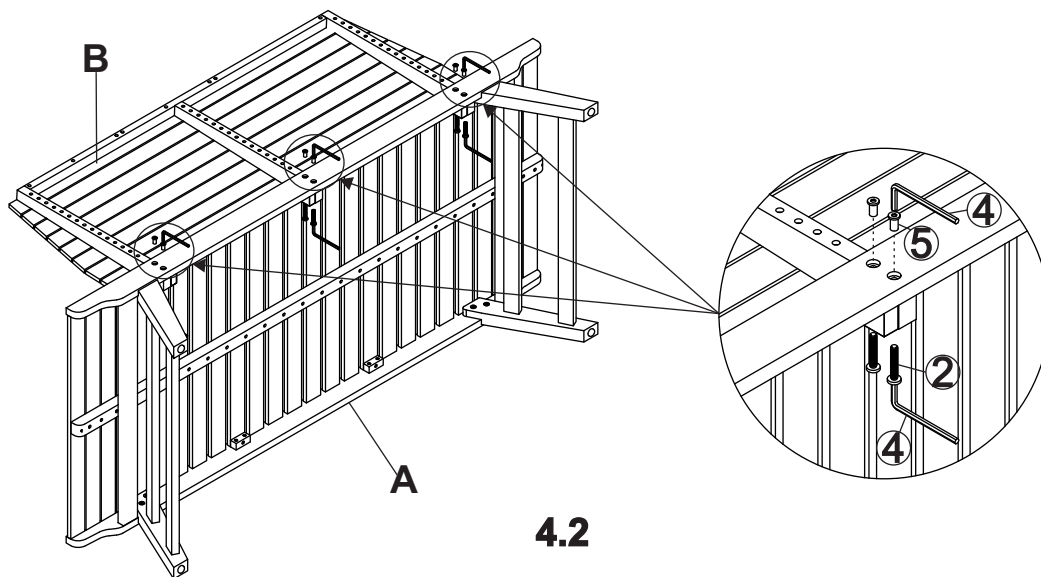


Attach the remaining Leg Panel (C) to Seat Panel (A) using Bolts (①) and the Allen Wrench (④). **DO NOT** fully tighten the Bolts.

## Step 4



4.1



4.2

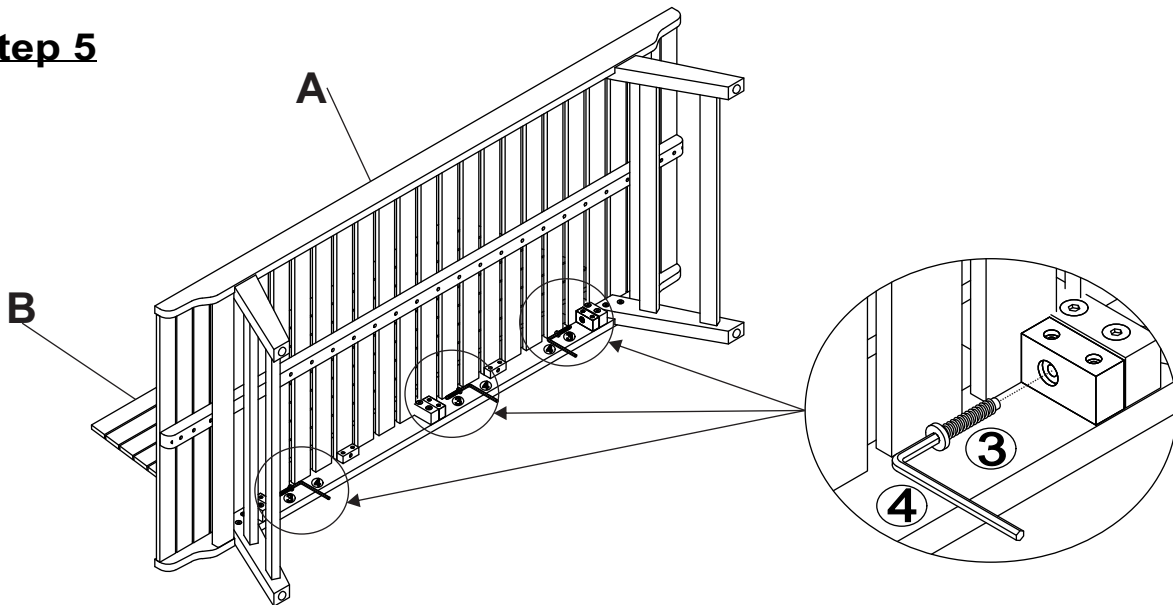
With assistance from your adult partners, place the assembled part in step 3 in an upright position, as shown in the picture above, onto a clean, non-marring surface to avoid any scratches or damage to the product.

**Step 4.1:** Align the Backrest Panel (B) to the mounting position of the Seat Panel (A) as shown above.

**Step 4.2:** Attach Backrest Panel (B) to Seat Panel (A) using 2 (two) Allen Wrenches (④), turn in Bolts (②) and Sleeve Nuts (⑤), as shown in the picture above.

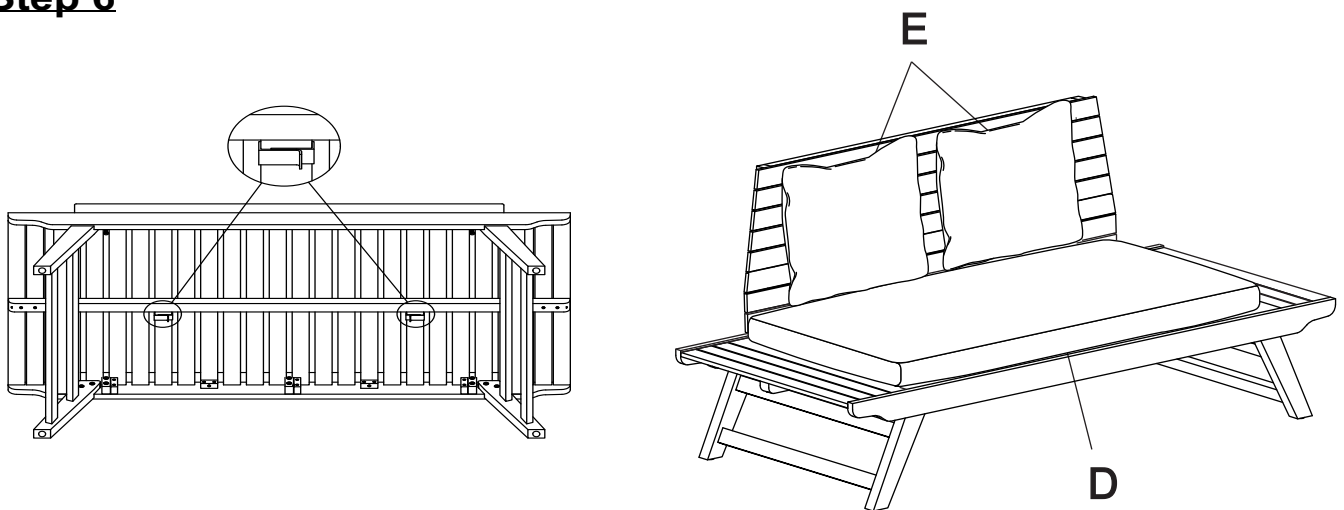
**DO NOT fully tighten the Bolts and Sleeve Nuts at this time.**

### **Step 5**



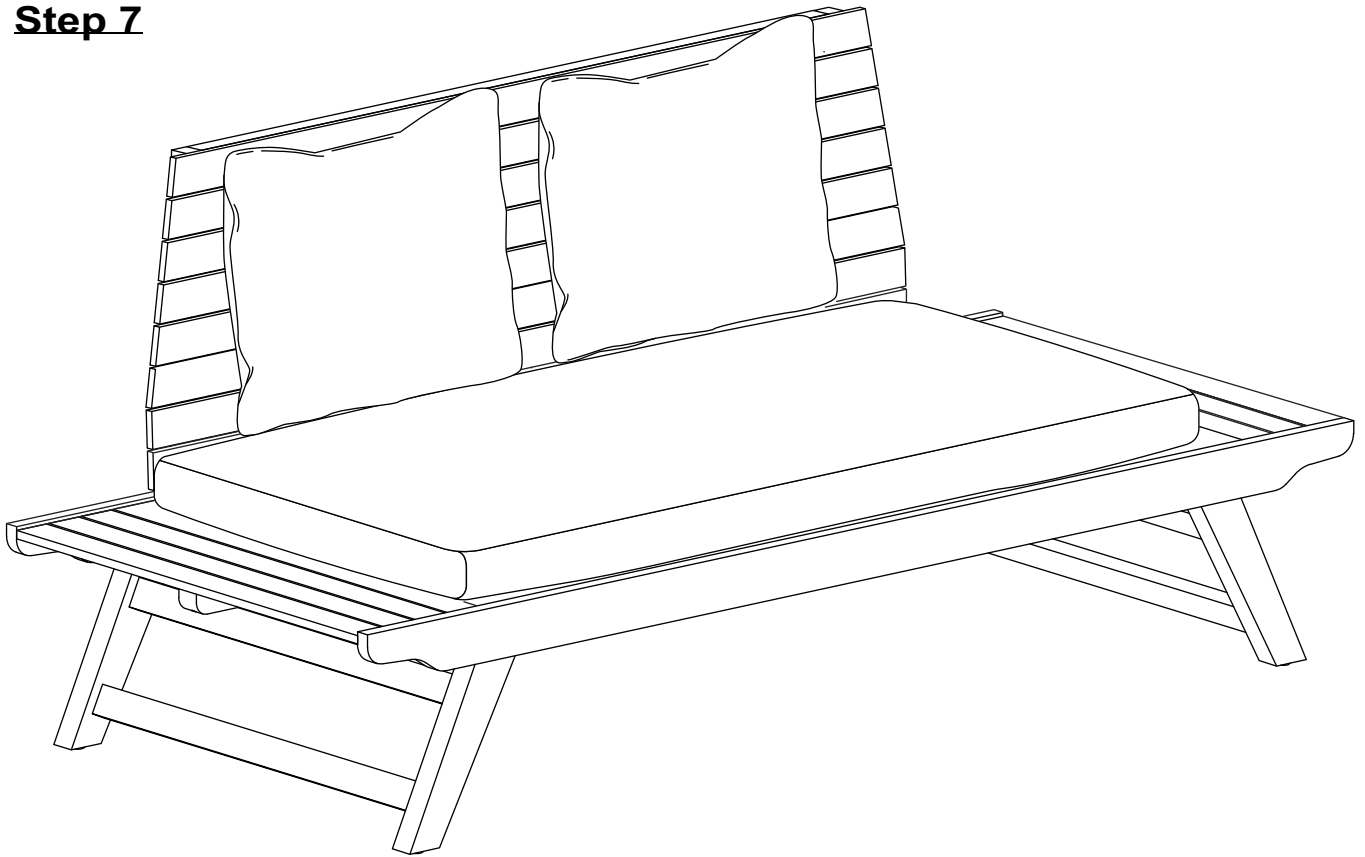
With assistance from your adult partners, tilt the Loveseat to have its Backrest resting flat on the Floor as pictured above onto a clean, non-marring surface to avoid any scratches or damage to the product. Secure Backrest Panel (B) to Seat Panel (A) using Screws (3) and the Allen Wrench (4) as shown in the picture above. **DO NOT fully tighten the Screws at this time.**

### **Step 6**



With assistance from your adult partners, place Seat Cushion (D) onto the Loveseat then affix "the magic tape straps" at the underside of the Cushion around the Seat Panel as shown above. Turn the Loveseat right side up, then place Pillows (E ) onto the Loveseat as shown above.

## **Step 7**



**EXERT** pressure, floorwards onto the Loveseat with both hands.  
This pressure will help align all parts.

Carefully sit onto the Loveseat, check for wobbles on a **LEVEL** surface. If there are wobbles, loosen the Screws, Bolts and Sleeve Nuts and execute the same above process.

If no wobbles are found, then proceed to fully tighten the Screws, Bolts and Sleeve Nuts in a sequential manner, until evenly secured.










Inspect the Loveseat and make sure all parts are adequately connected.

Make sure all bolts are **FULLY TIGHTEN** before use.

**Your Loveseat is ready for use.**

**This Loveseat can only be used on a flat, level surface.**

## Care & Maintenance

- ⊘  ● Do not put hot items directly on furniture surface.
  - ⊘  ● Do not clean furniture with harsh cleansers or polish.
  - ✓  ● To obtain the longest lifespan of your outdoor products, minimizing exposure to direct sunlight is recommended.
  - ⊘  ● Children should not climb or jump on the furniture.
  - ⊘  ● Do not write on furniture without a padded barrier to protect the surface.
  - ✓  ● To obtain the longest lifespan of your outdoor products, avoid extended and lengthy exposure to rain, snow, and direct sunshine. Whenever possible cover the product and / or place under patio or awnings.
  - ⊘  ● Not for commercial use. For residential use only.
  - ⊘  ● Stains may be removed with mild soap solution and damp cloth.
- ✓  ● Dust and pick-up spills using a clean, non-colored, lint-free cloth.