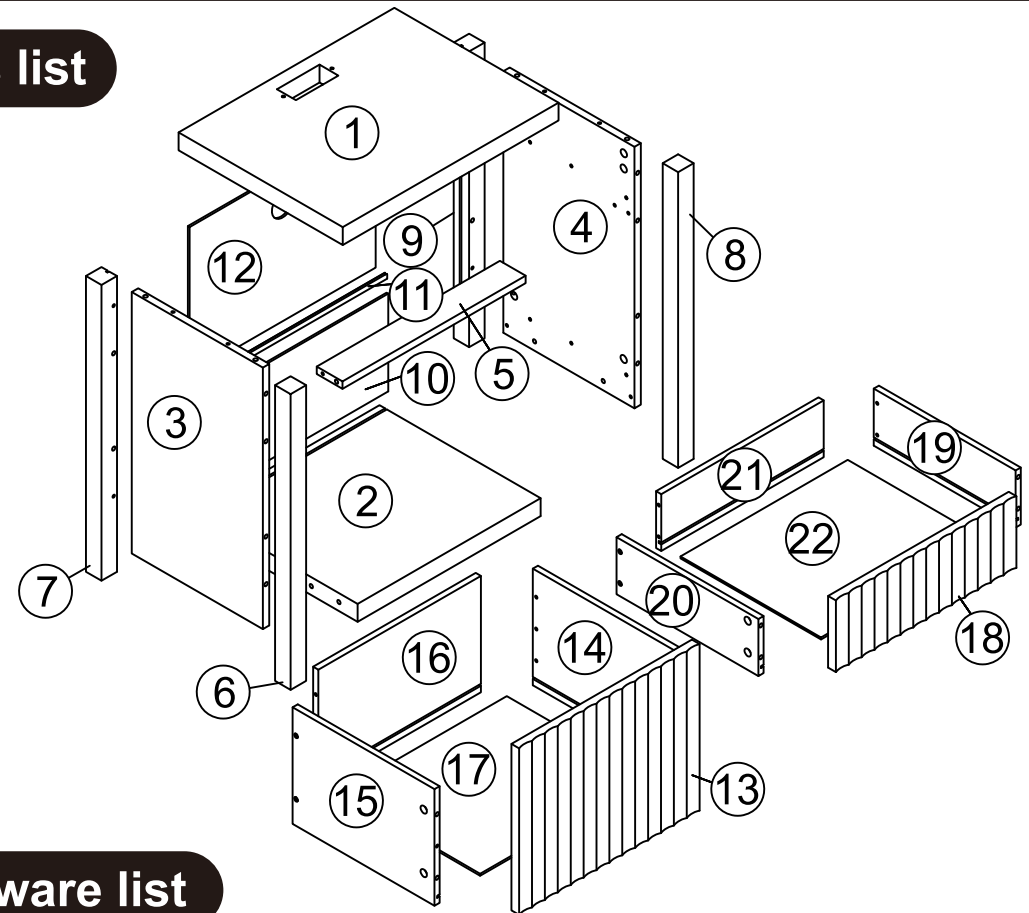








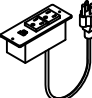









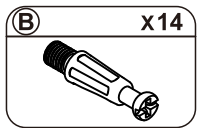
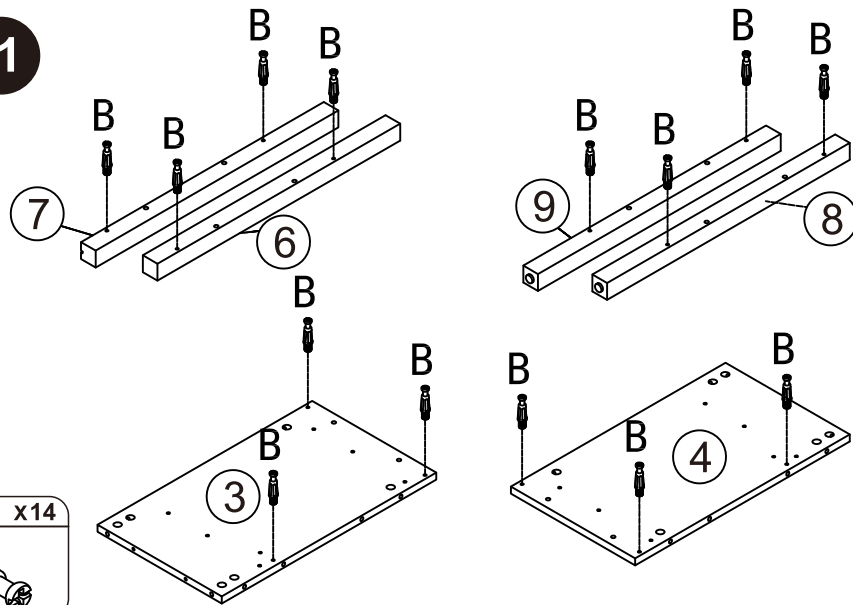
Parts list



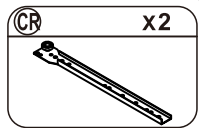
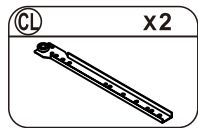
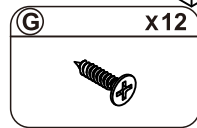
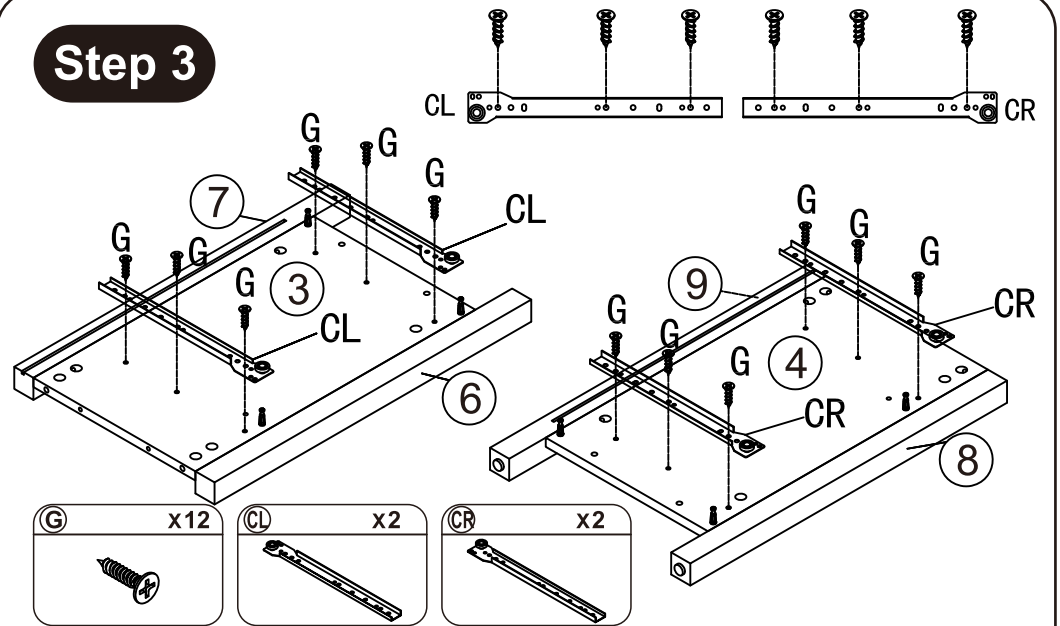
Hardware list

A x26 $\phi 15 \times 9.5 \text{MM}$ 	B x26 $\phi 6 \times 24 \text{MM}$ 	C x18 $\phi 8 \times 30 \text{MM}$ 	D x8 $\phi 4 \times 30 \text{MM}$ 	E x6 
F x6 $\phi 3 \times 16 \text{MM}$ 	G x28 $\phi 3.5 \times 12 \text{MM}$ 	H x2 	I x1 	J x4 $\phi 6 \times 30 \text{MM}$ 
CL x2 300MM 	CR x2 300MM 	DL x2 300MM 	DR x2 300MM 	L x2 $\phi 3.5 \times 12 \text{MM}$ 
				M x8 

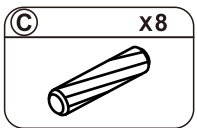
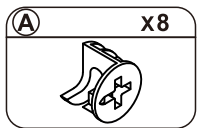
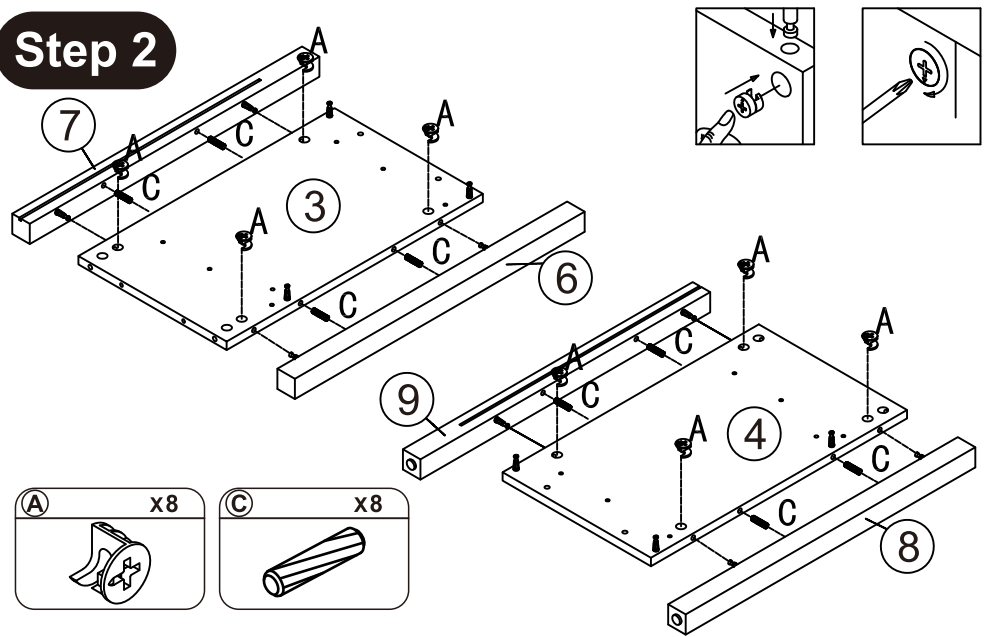
Step 1



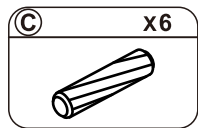
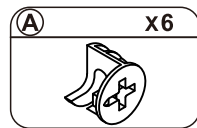
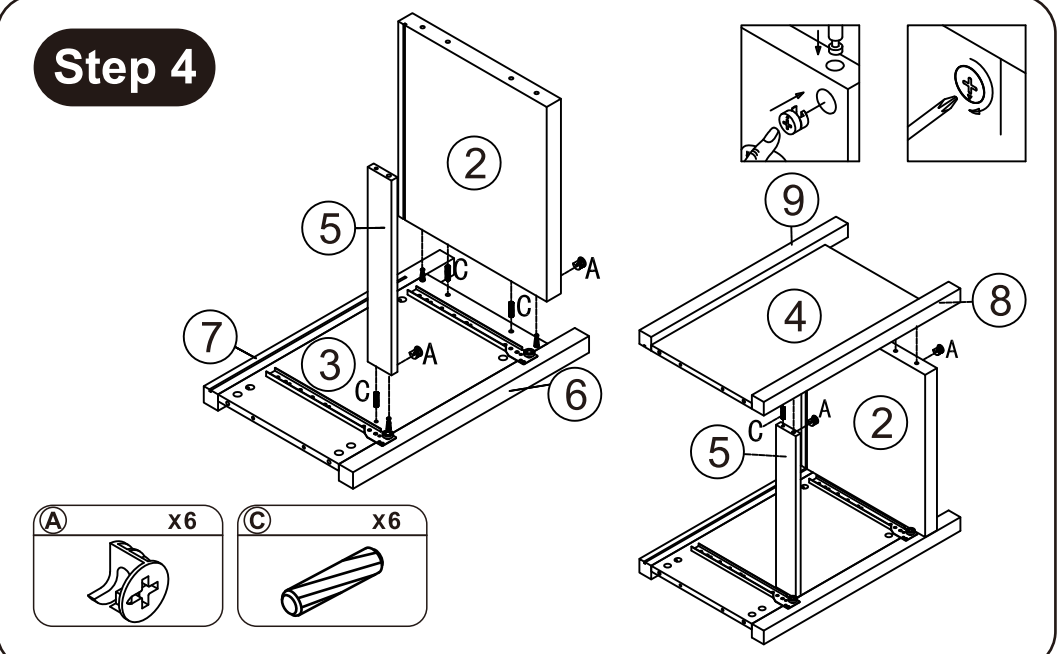
Step 3



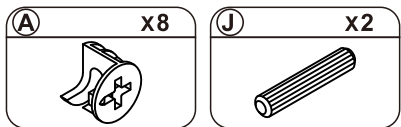
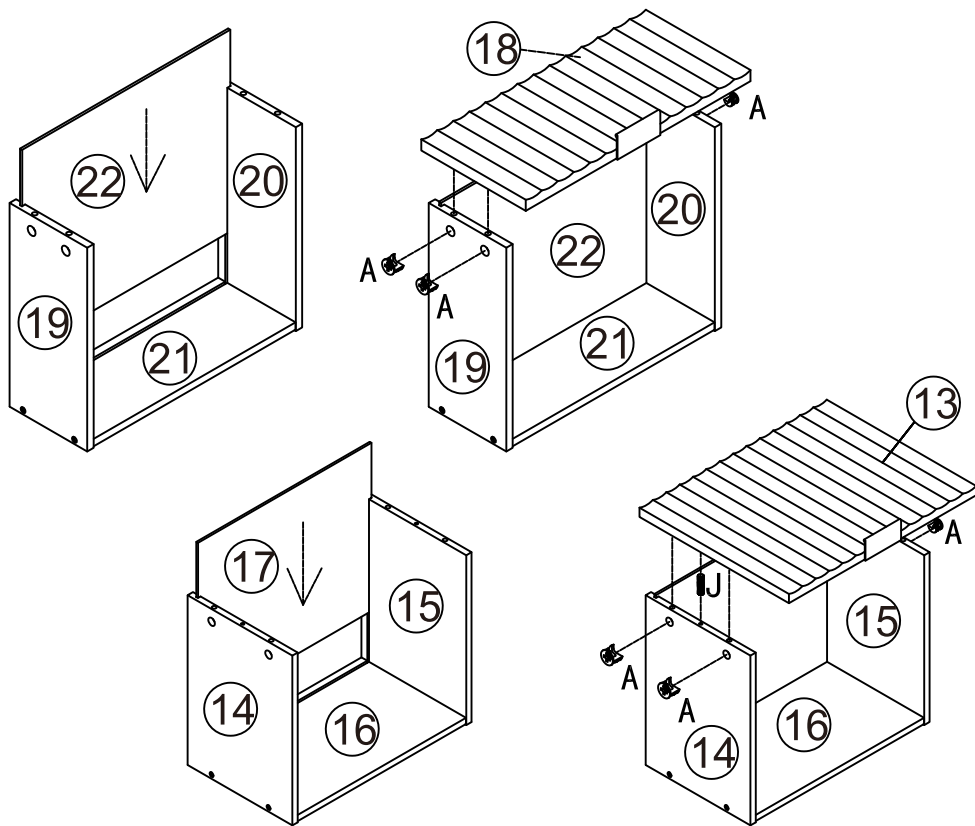
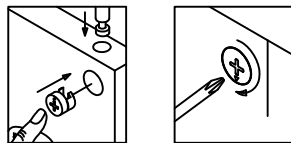
Step 2



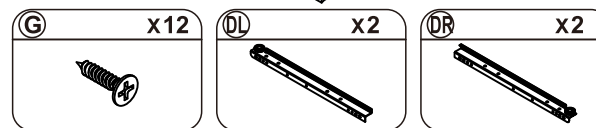
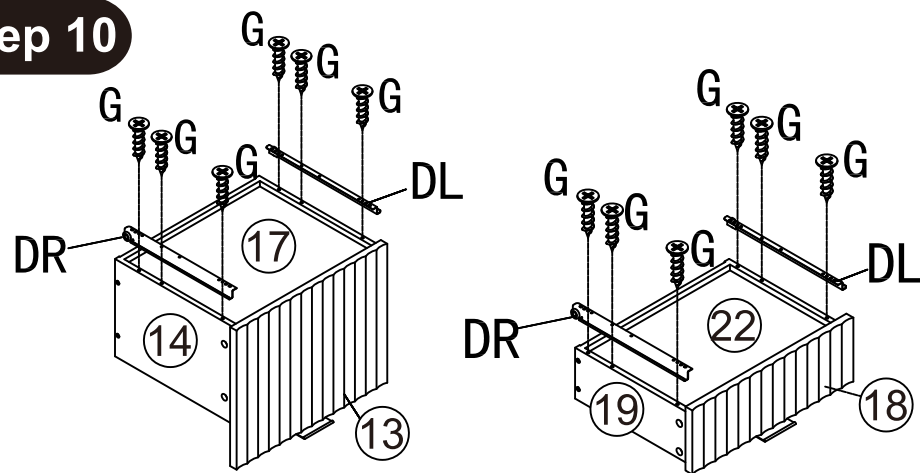
Step 4



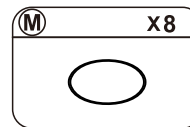
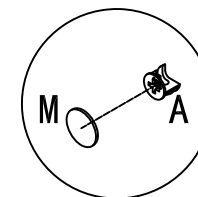
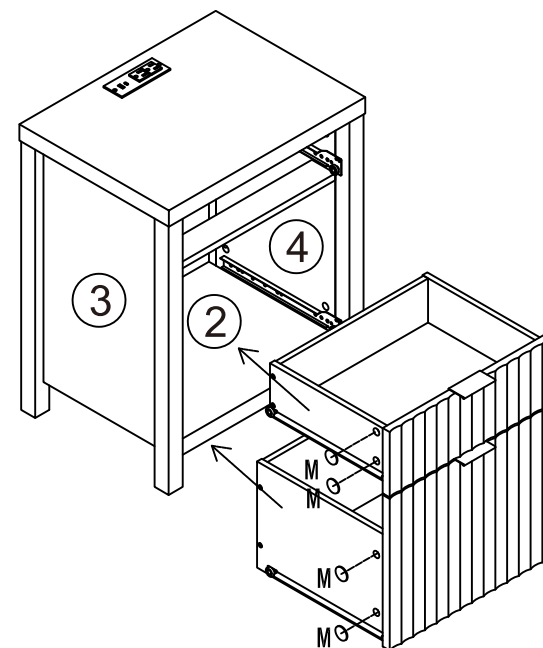
Step 9



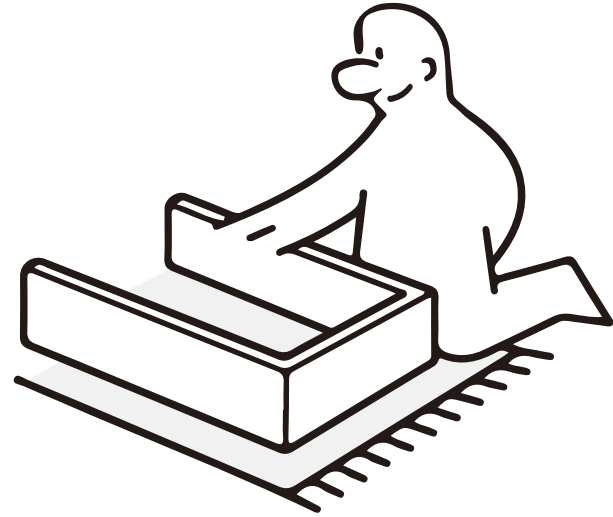
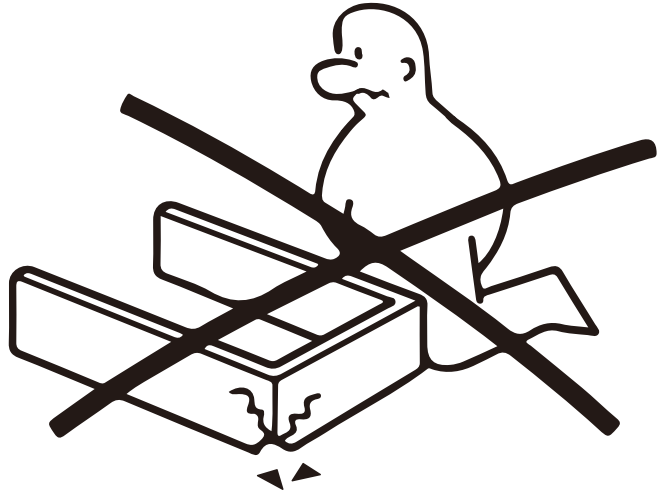
Step 10



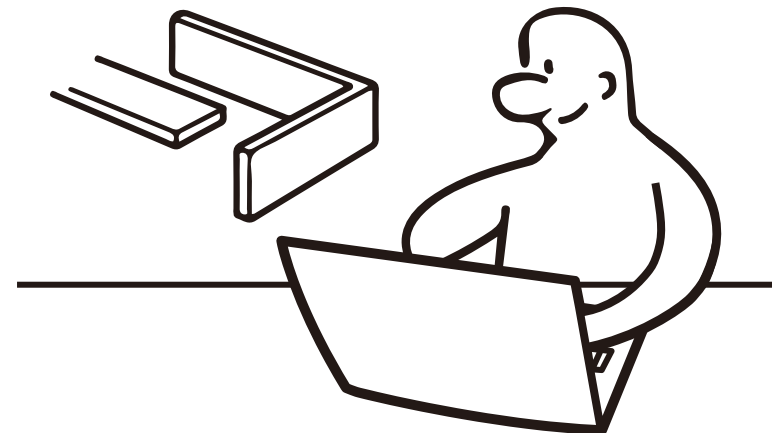
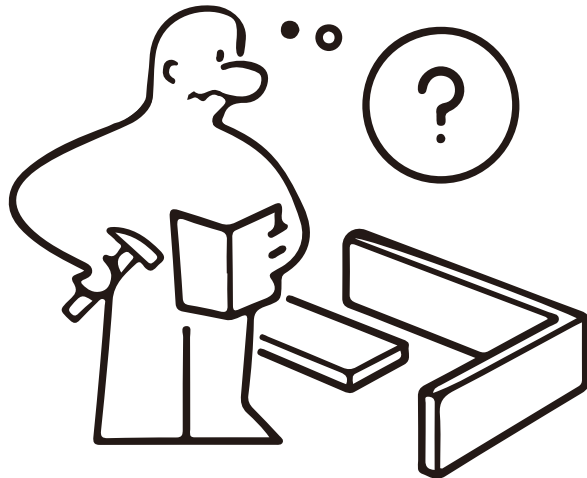
Step 11



※ **Stay Scratch-Free: Safeguard Your Furniture by Assembling on Carpet.**



※ **Stuck in Assembly Limbo? Check out our website or contact our support team for quick solutions!**



THANK YOU!

For purchasing from us

Despite our reinforced packaging, transit mishandling can sometimes occur. In the rare event that your product arrives damaged, we're here to assist you. **If your product is in perfect condition, you can disregard this message.**

If you discover any damage upon receipt of your package, please contact our after-sales

Additionally, we kindly request your assistance in filing a claim against the shipping carrier for the mishandling of your package. Please help us by providing clear photos as follows:

- ☆ Complete Shipping Label (Express Delivery Waybill): Take a clear image of the entire shipping label affixed to the package with visible and legible text and barcodes.
- ☆ Exterior Packaging Damage: Capture a comprehensive photo showing the damaged exterior of the shipping package.
- ☆ Interior Item Damage: Provide images focusing on the damaged areas of product

Your cooperation is invaluable, and we assure you that we're committed to resolving this issue promptly. Your satisfaction remains our top priority.

Thank you for your understanding and assistance.

Best regards,

Customer Support Team