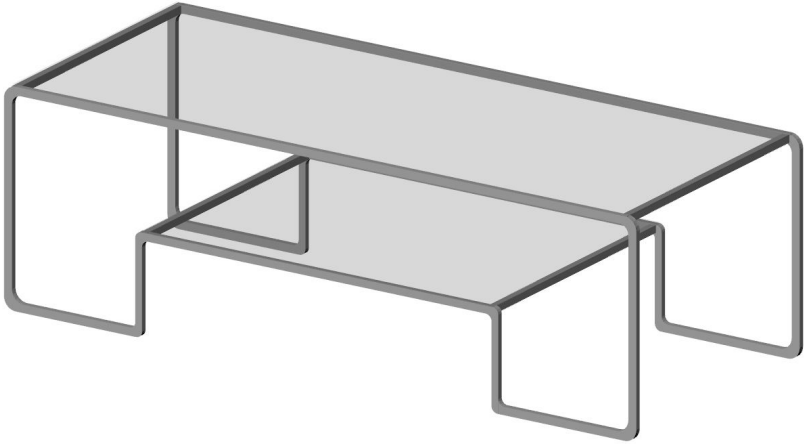


Owner Manual



15 : 00

estimated
assembly time



2 or more

people required

Ok, let's
get started!



- Put on mood music!
- To prevent damage to product, use the clean side of package carton or rug as working surface.
- In the event of missing or damaged parts, delivery problems etc., please reach out to our team.
We will be happy to fix the problem!

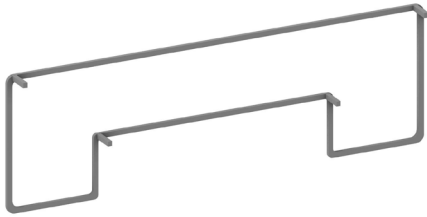
care guide

- Clean regularly with a soft and dry cloth.
- To protect finish, avoid use of abrasive cleaners.
- Wipe up spills immediately. Please!

ⓘ **While assembling the product, tighten the bolts up to 50%. Once all parts are in place, only then fully tighten the bolts.**



product parts



(A)
Frame
x2



(B)
Rod
x4



(C)
Top Glass
x1

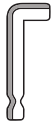


(D)
Glass Shelf
x1

what's included



(E) - Bolt
(M6 x 12mm)
x16



(F) - Allen Key
(M4 x 140mm)
x1



(G) - Bumpons
x8

assembly instructions

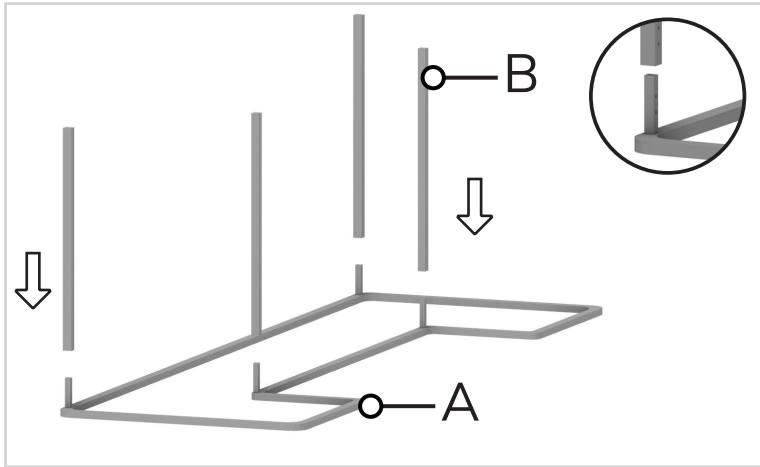
Friendly Tip: Take a deep breath going in. This may be a tricky part, but nothing too overwhelming. Just follow these steps to the T and the outcome will be worth it!



- ⓘ While assembling the product, tighten the bolts up to 50%. Once all parts are in place, only then fully tighten the bolts.

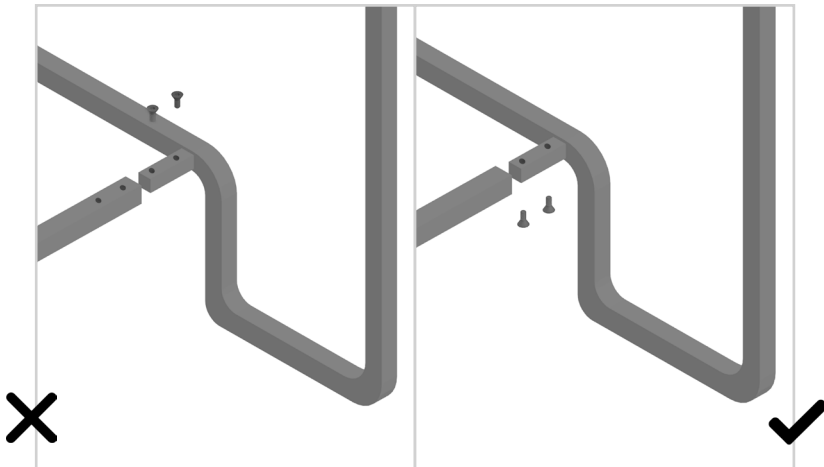
step 1:

Start by placing one of the frames (A) on a flat surface. Taking the image below as a reference, align rods (B) over the slots given on leg (A).



Note:

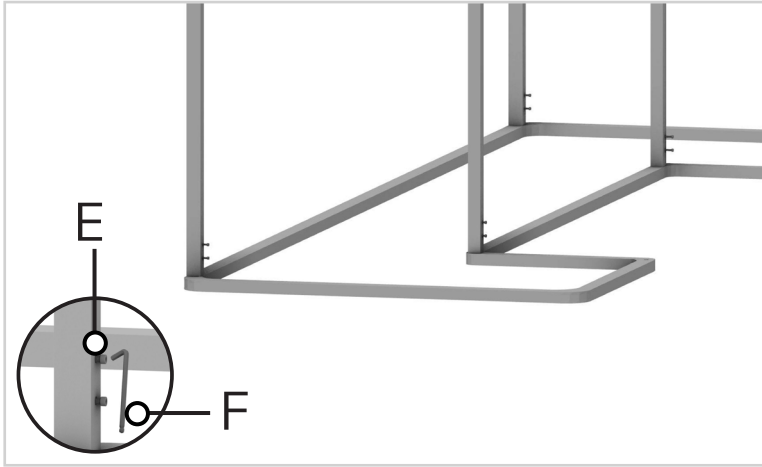
Ensure that the rods are placed in such a way that the holes are facing downwards, aligning with the lower part of the tenon on the lower frame.



⚠ While assembling the product, tighten the bolts up to 50%.
Once all parts are in place, only then fully tighten the bolts.

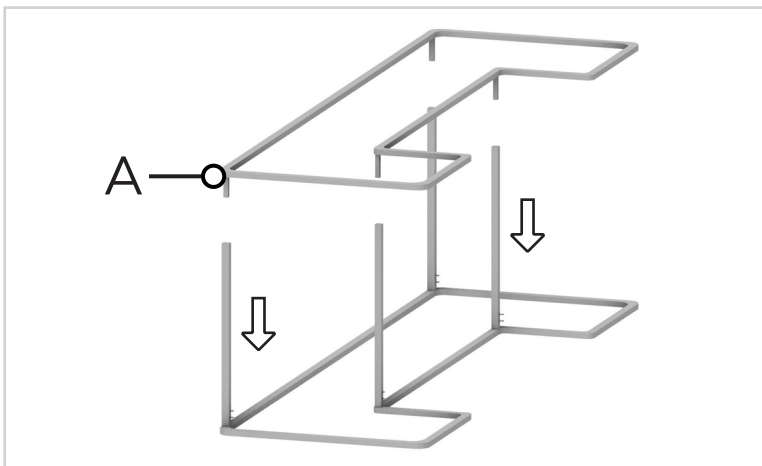
step 2:

Fix the rods (B) to the frame (A) by inserting bolts (E) into the given holes and tighten them using allen key (F).



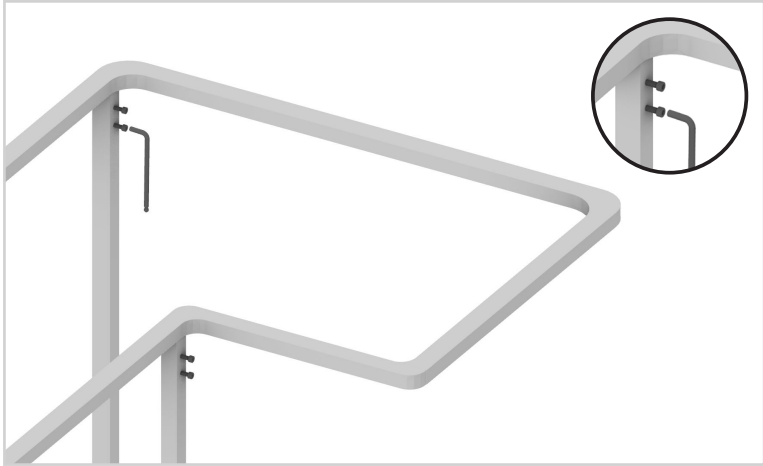
step 3:

Now, place the other frame (A) over the other side of the rods as shown in the image.



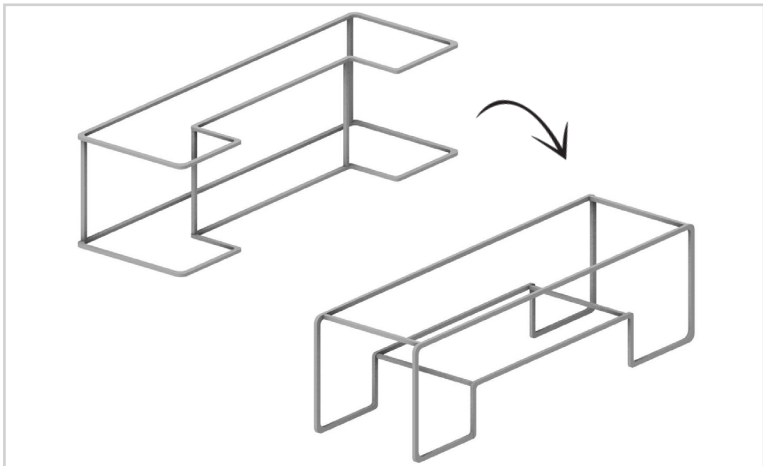
step 4:

Repeat step 2 to fix the other side of the rods (B) to the frame (A).



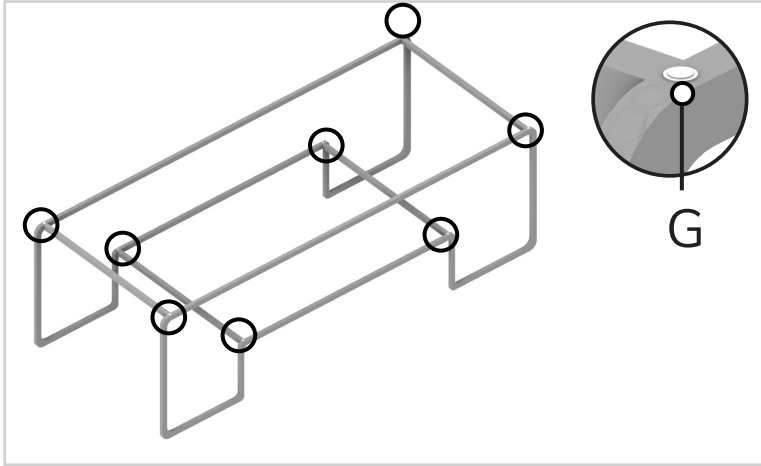
step 5:

Simple enough? Now, carefully lift the assembled table frame and place it upright. Ensure all parts are securely fastened before standing it up.



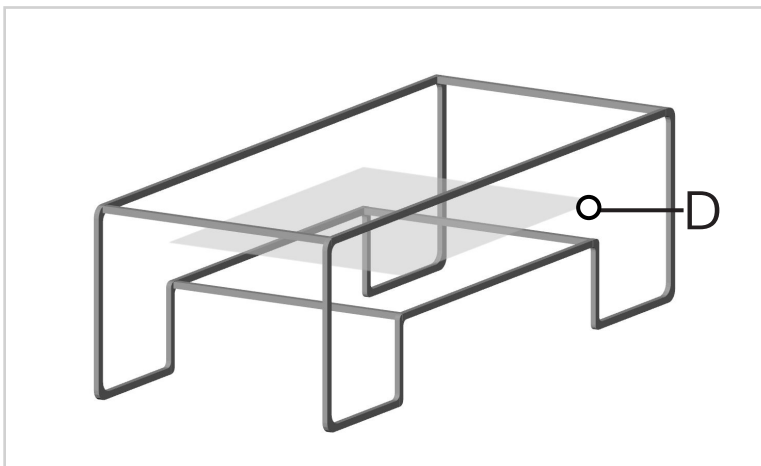
step 6:

Then, take the bump-ons (G) and fix them over the joints of the frame where the glass (C & D) will be placed. Take the image below as a reference to mark the points.



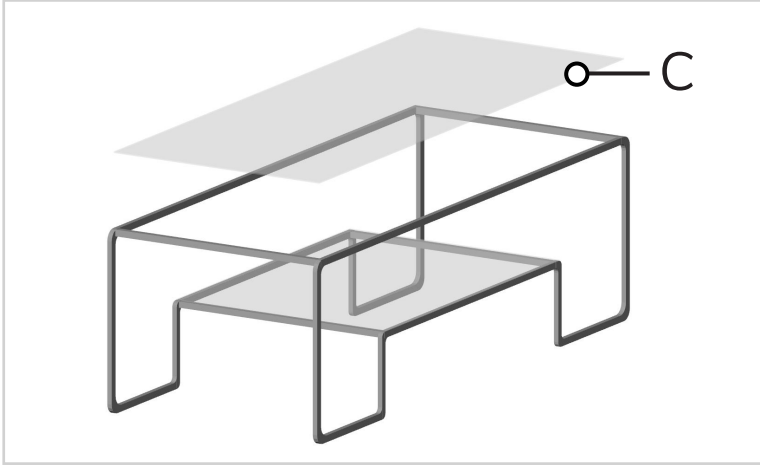
step 7:

When done, place the glass (D) over the bump-ons placed on the lower shelf of the table.



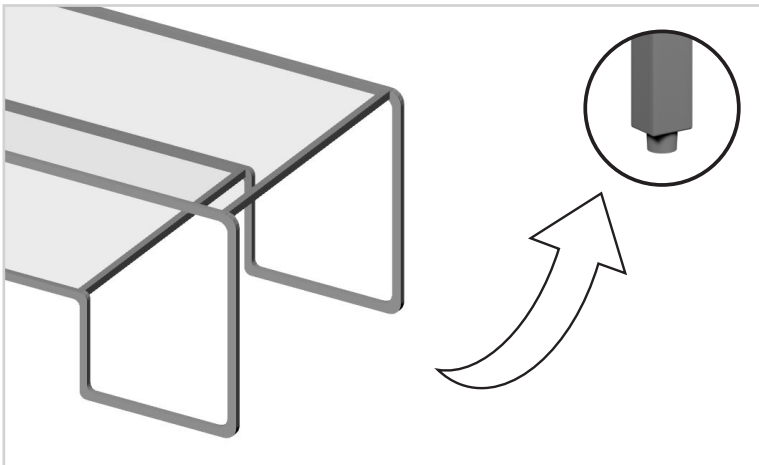
step 8:

Similarly, place the glass (C) over the bump-ons placed on the top of the table.



step 9:

Place a spirit level on top of the surface to check alignment. Adjust the levellers if needed.



Voila! Your table is now assembled and secure!