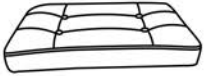


# ASSEMBLY INSTRUCTION

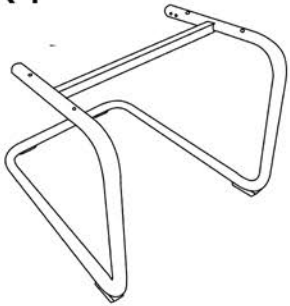
Ax1



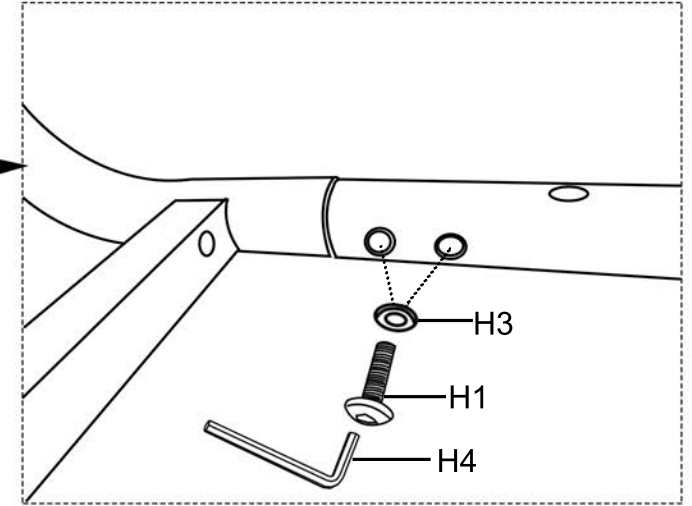
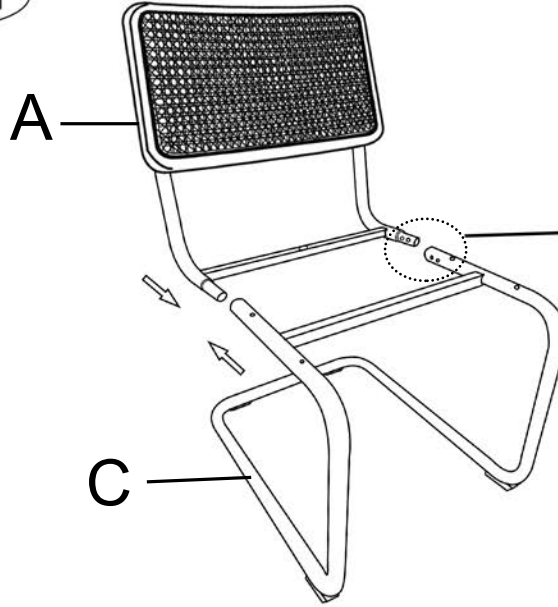
Bx1



Cx1



Step 1



H1x4



H2x5



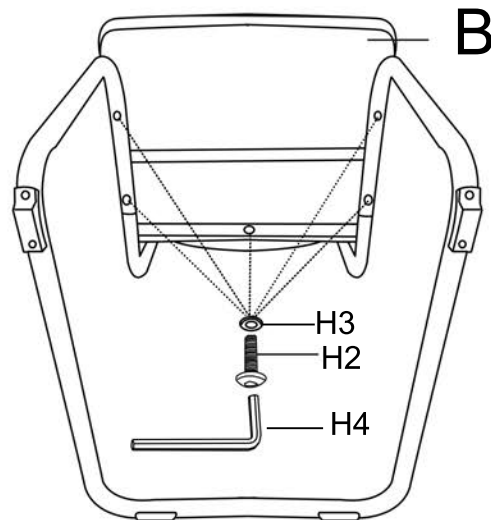
H3x9



H4x1



Step 2



Step 3

