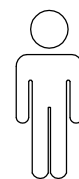
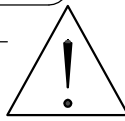
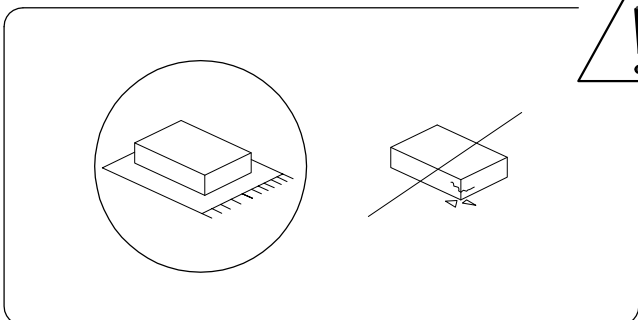



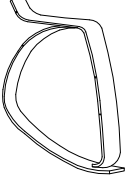
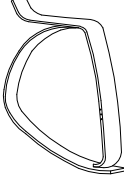

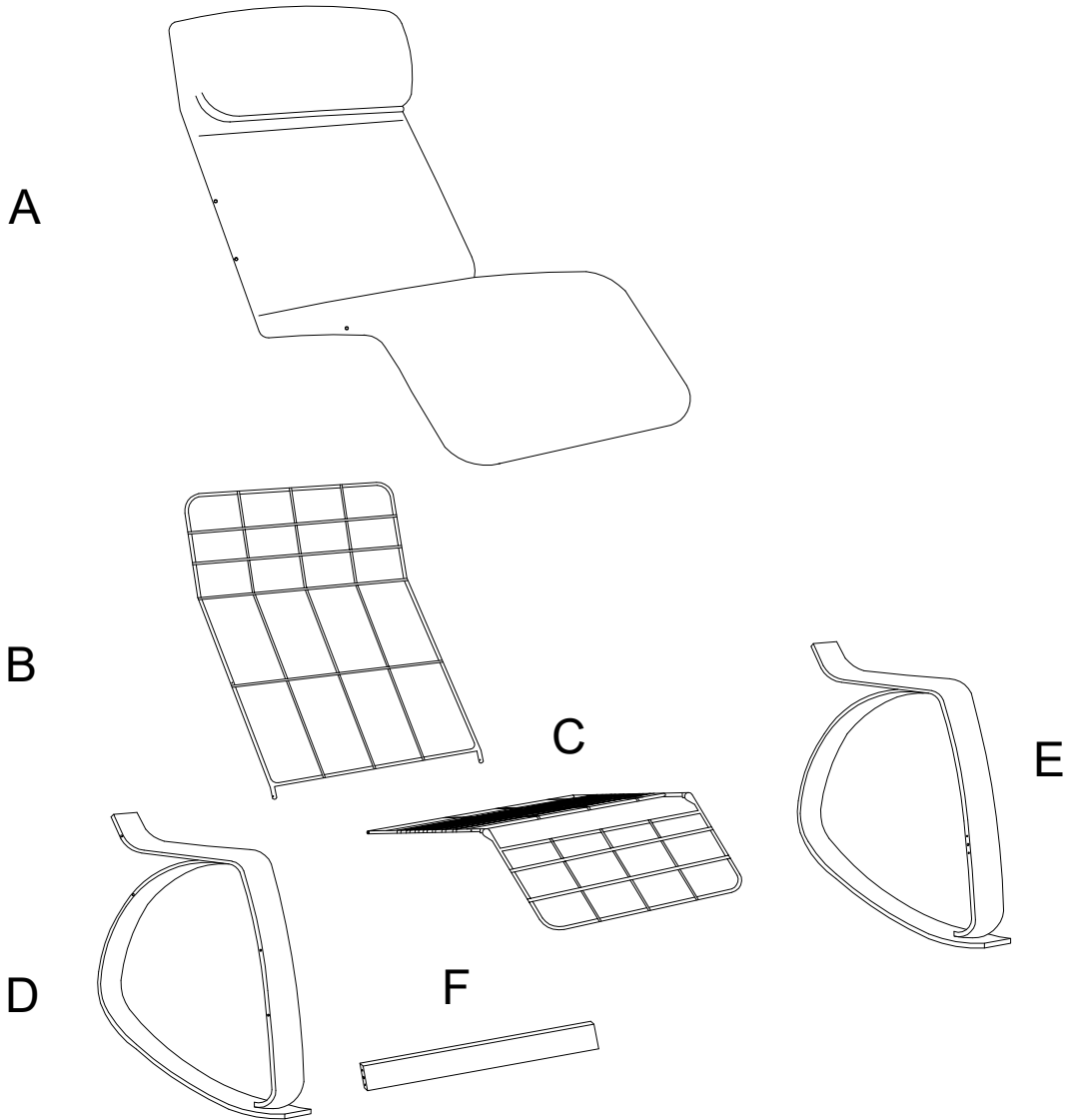



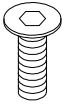
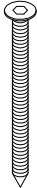
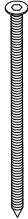
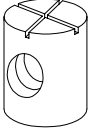
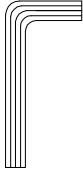
25'



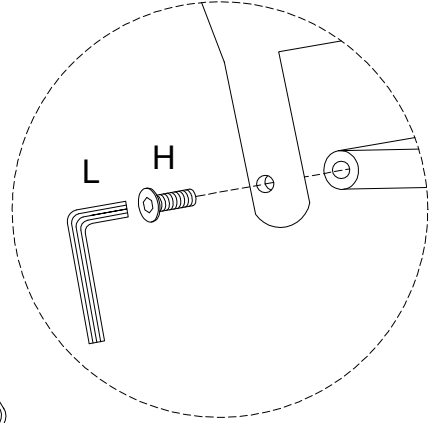
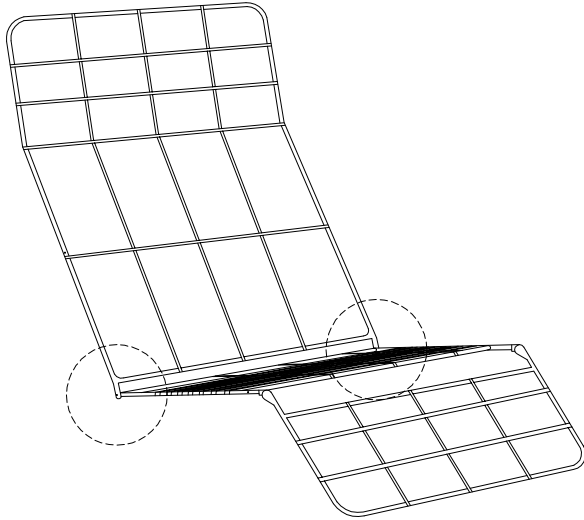
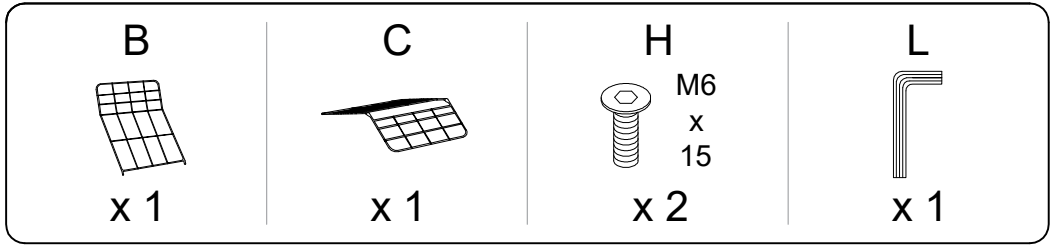
2

A	B	C	D	E	F
					
x 1	x 1	x 1	x 1	x 1	x 1

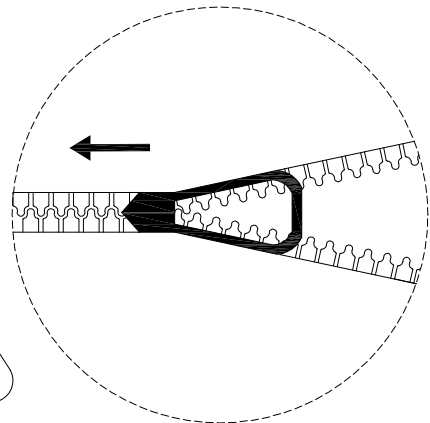
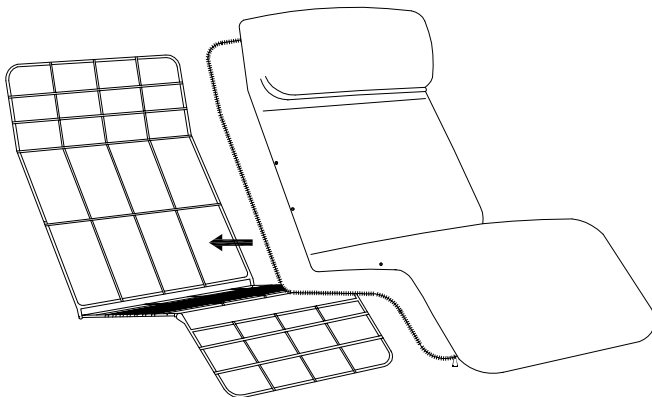
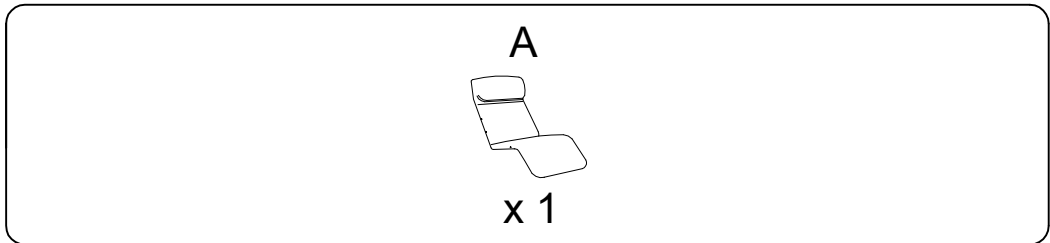


G	H	I	J	K	L
 Ø8 x 30	 M6 x 15	 6 x 76	 6 x 106		
x 4	x 2	x 6	x 2	x 2	x 1

1



2



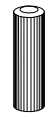
3

F



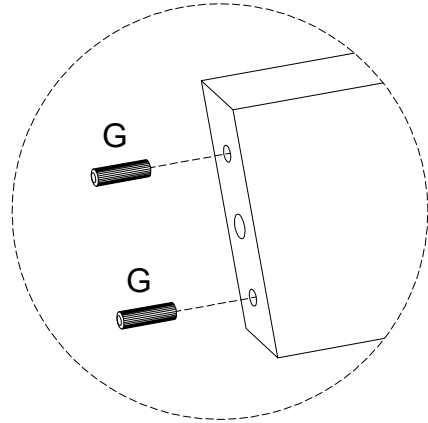
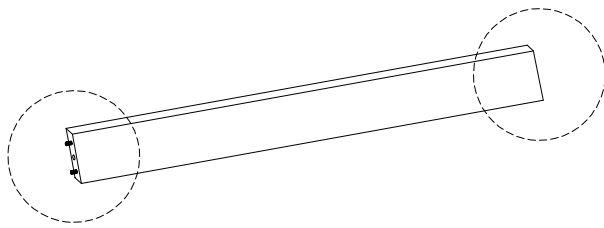
x 1

G



Ø8
x
30

x 4



4

D



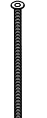
x 1

E



x 1

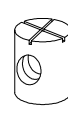
J



6
x
106

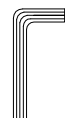
x 2

K

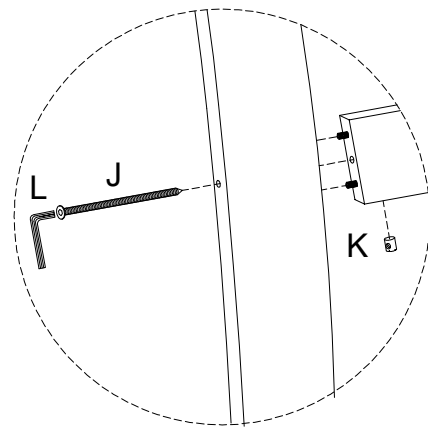
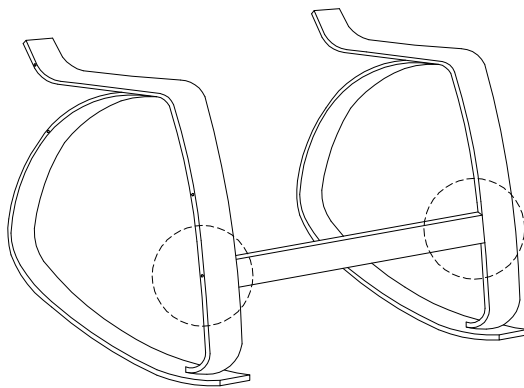


x 2

L



x 1



5

I
6
x
76
x 6

L
x 1

