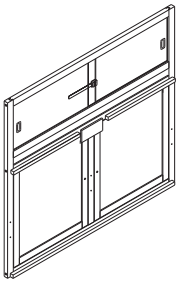
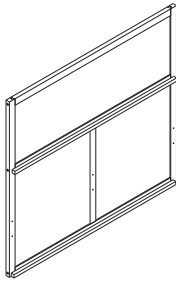
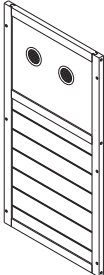
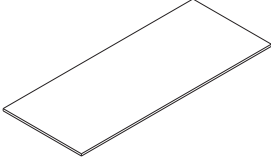
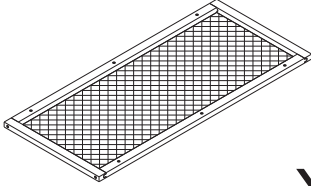


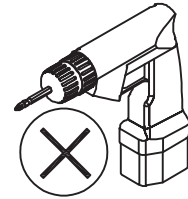
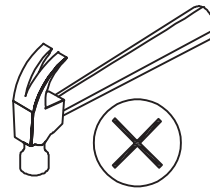
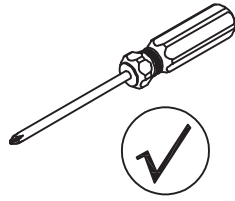
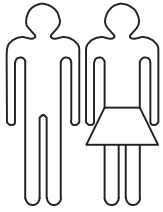
W-SRT001-GY

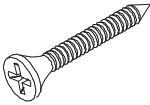

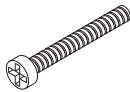
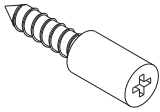
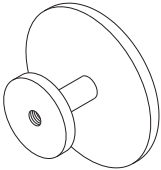
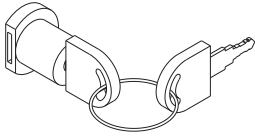
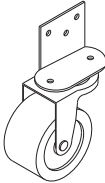
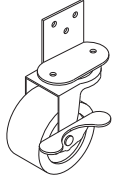
Made In China

Parts List

<p>①</p>  <p>X1</p>	<p>②</p>  <p>X1</p>	<p>③</p>  <p>X2</p>
<p>④</p>  <p>X3</p>	<p>⑤</p>  <p>X1</p>	

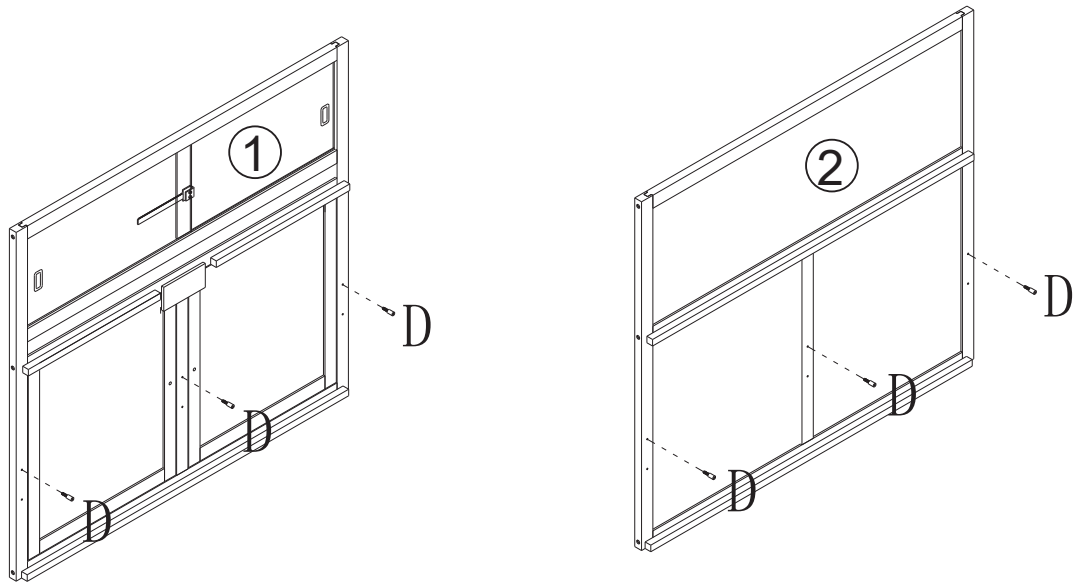
Hardware List



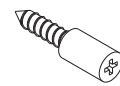
<p>A</p>  <p>18PCS M4×35mm</p>	<p>B</p>  <p>20PCS M3×16mm</p>	<p>C</p>  <p>2PCS</p>	<p>D</p>  <p>6PCS</p>
<p>E</p>  <p>2PCS</p>	<p>F</p>  <p>1PC</p>	<p>G</p>  <p>2PCS</p>	<p>H</p>  <p>2PCS</p>

Assembly Steps

1

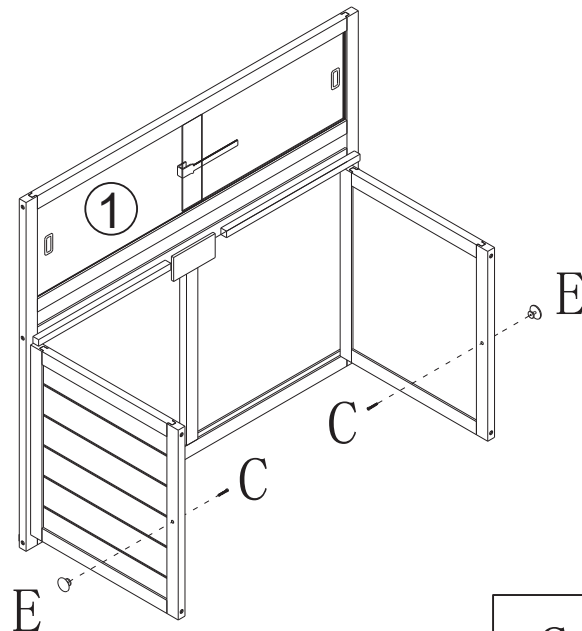


D



X6

2



C



X2

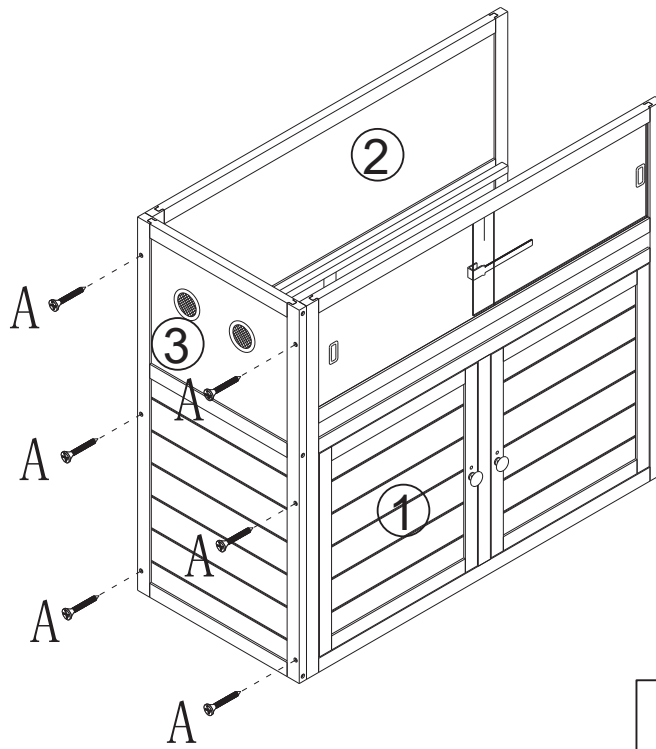
E



X2

Assembly Steps

3

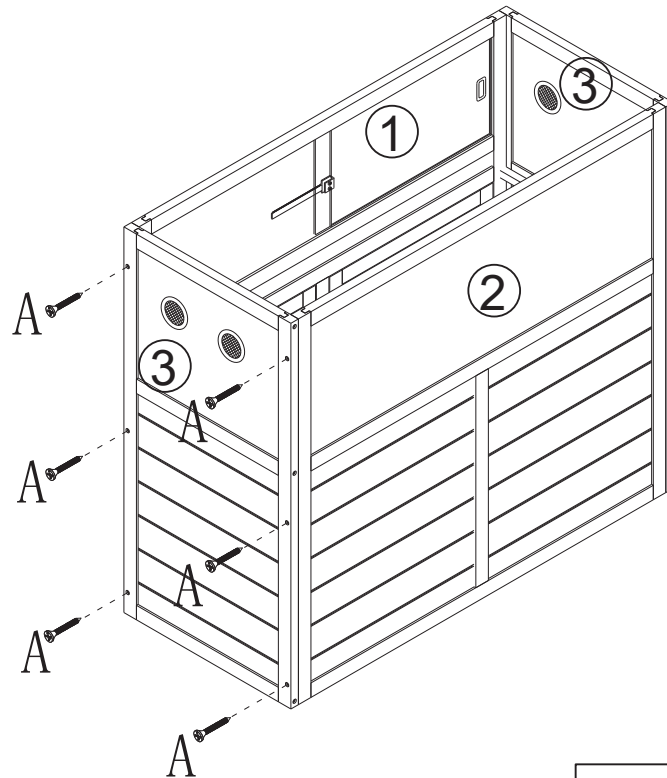


A

M4×35mm

X6

4



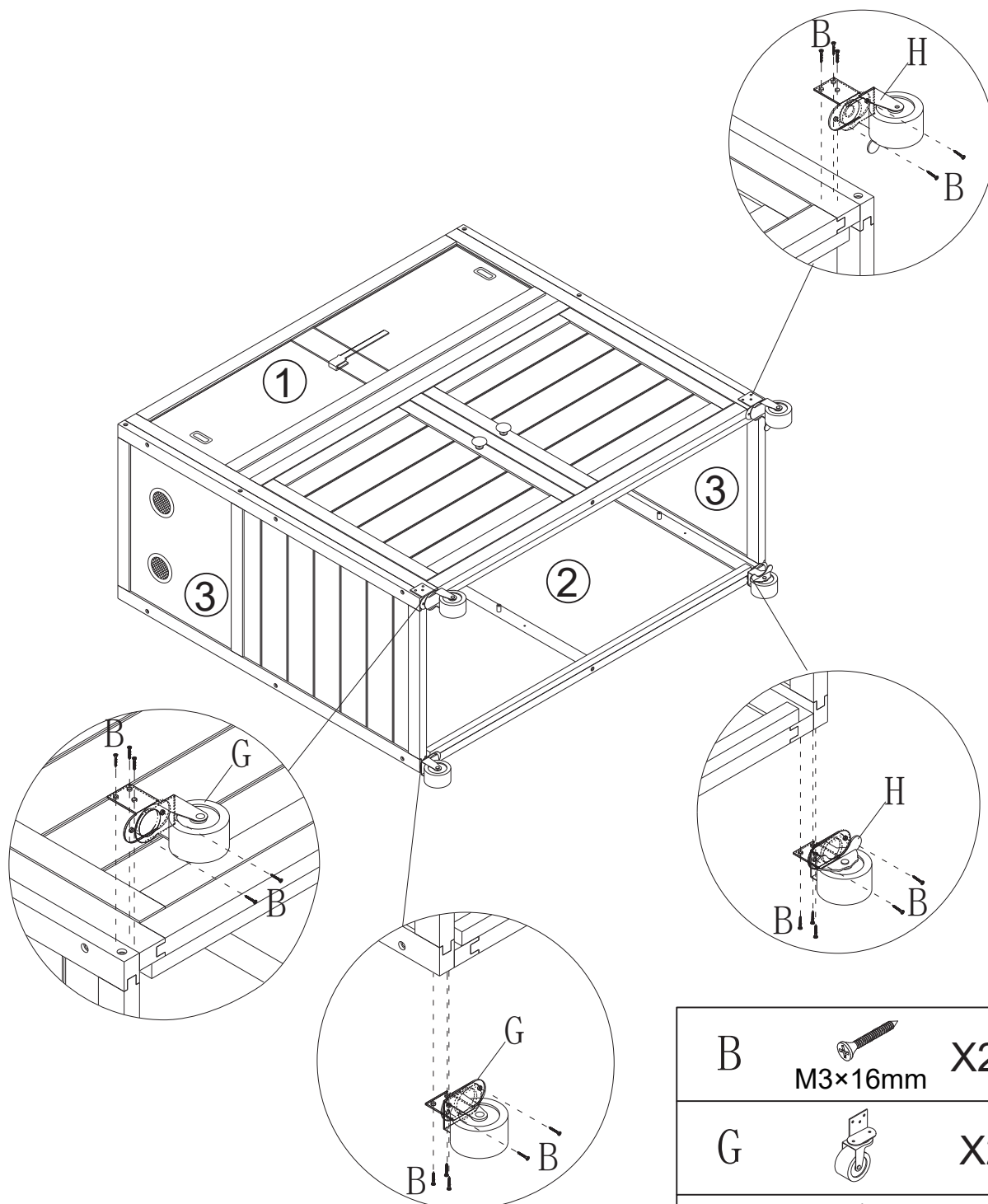
A




M4×35mm

X6

Assembly Steps

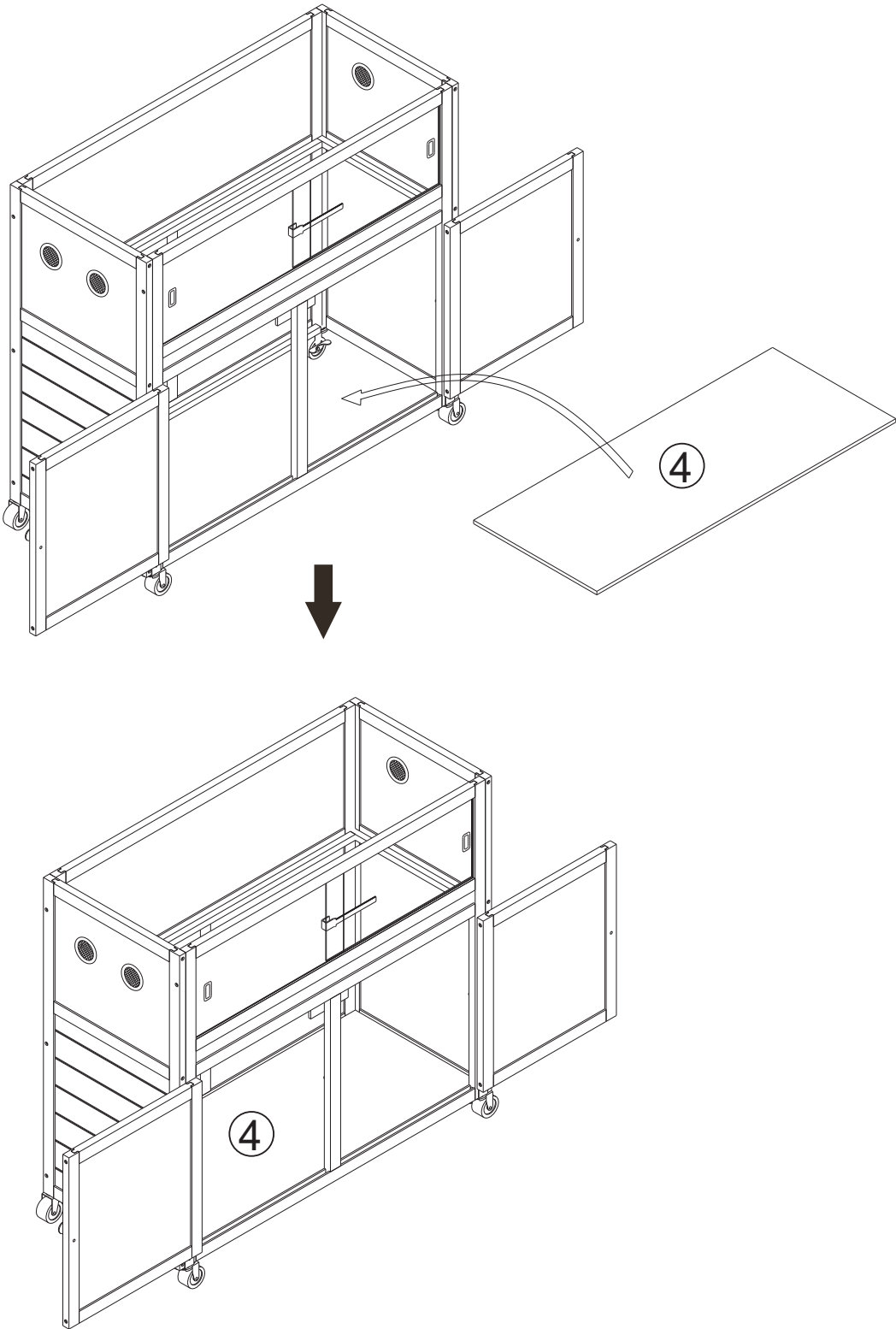
5



B	 M3×16mm	X20
G		X2
H		X2

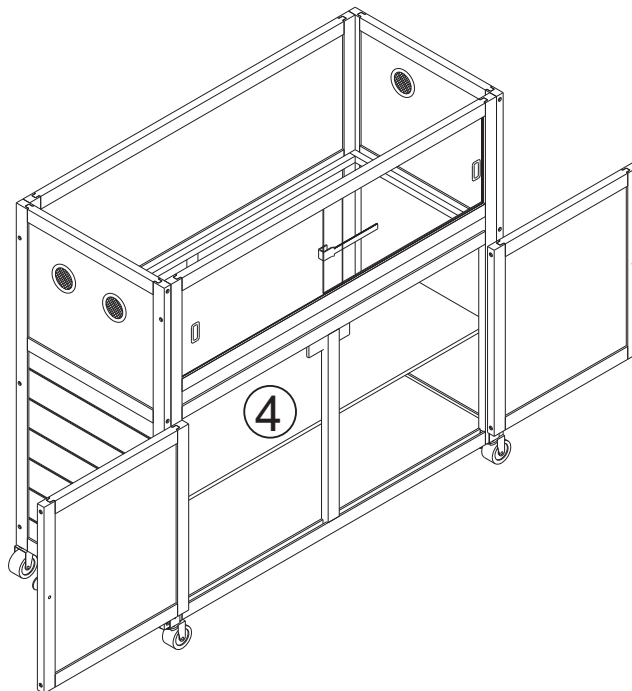
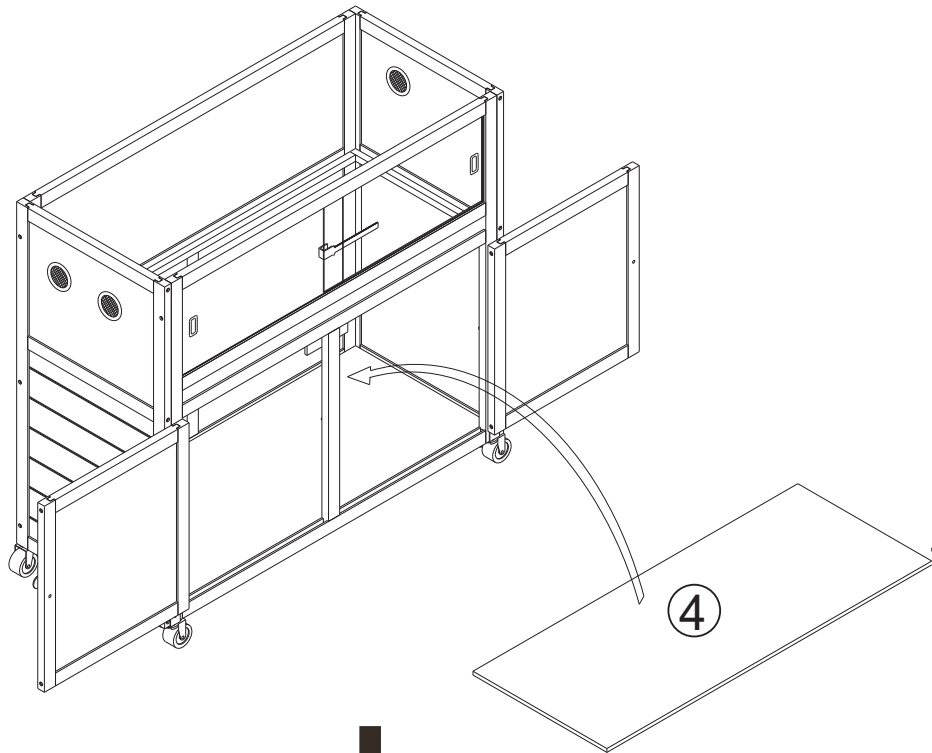
Assembly Steps

6



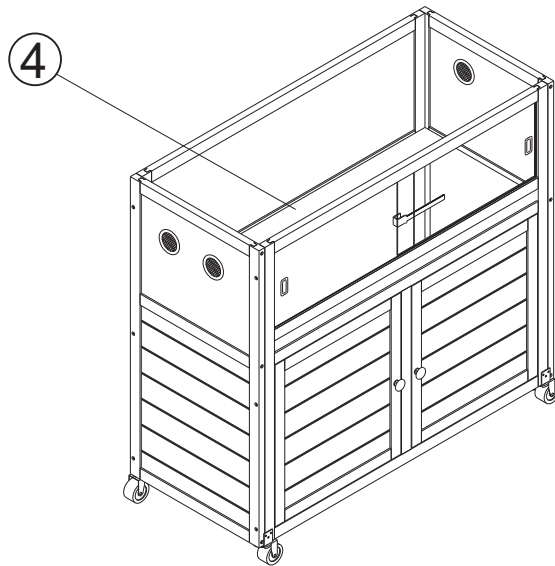
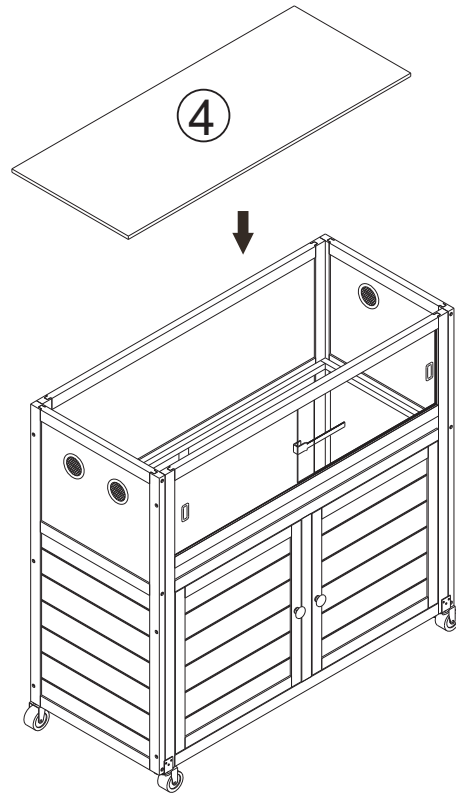
Assembly Steps

7



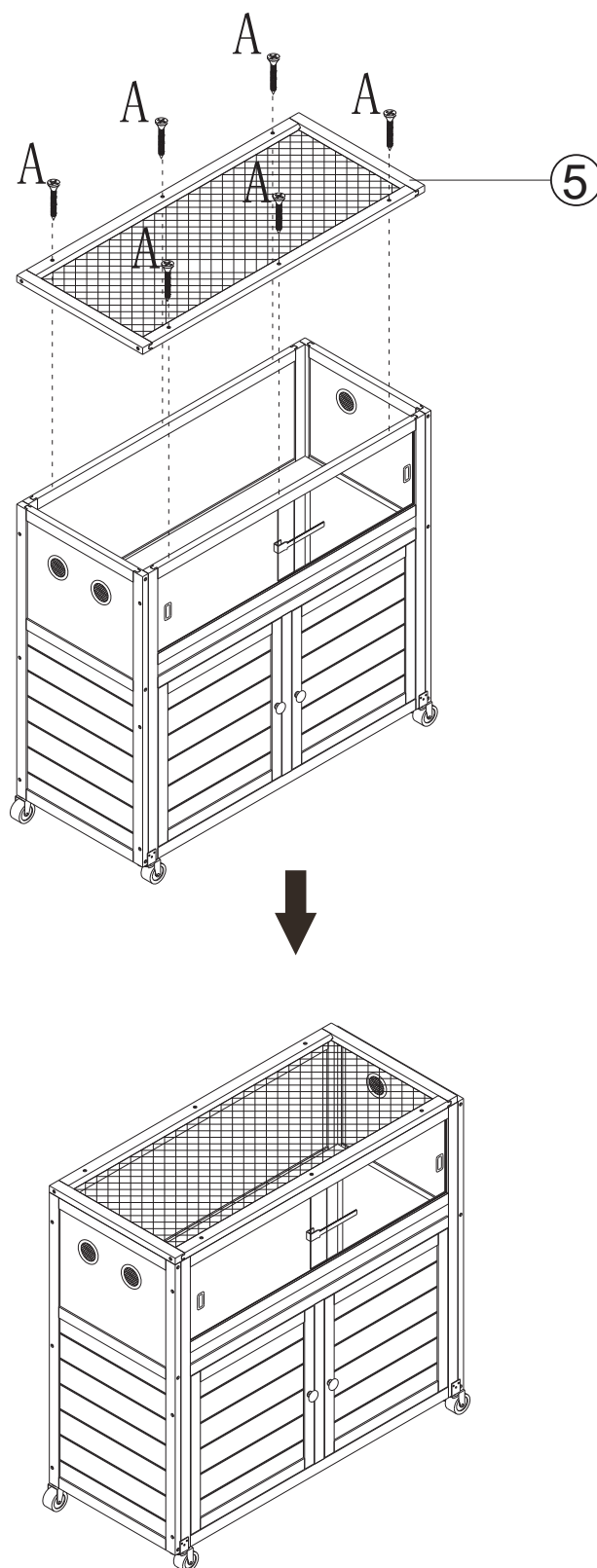
Assembly Steps

8



Assembly Steps

9



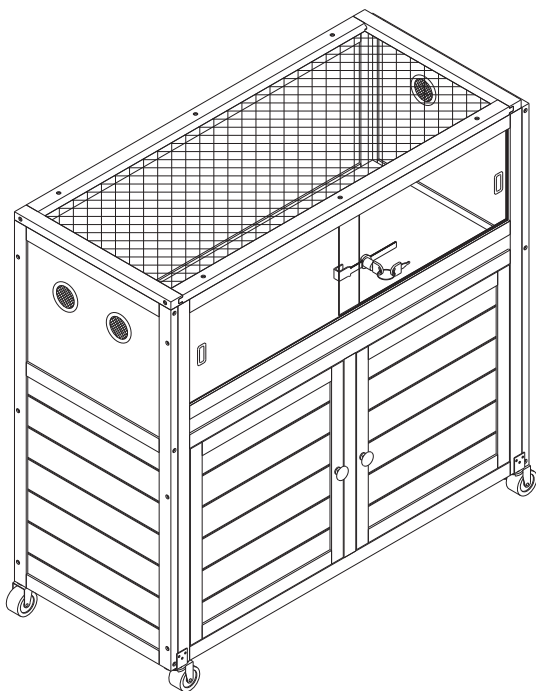
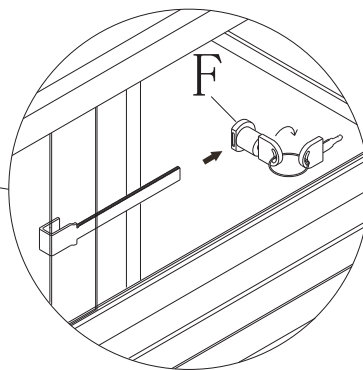
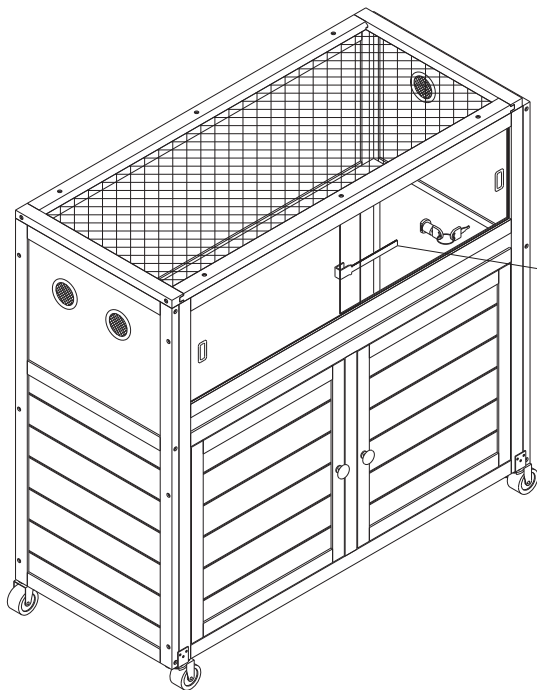
A

 M4×35mm

X6

Assembly Steps

10



F



X1