


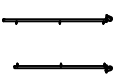





ASSEMBLY INSTRUCTIONS



CVFNR4540

PART 'S

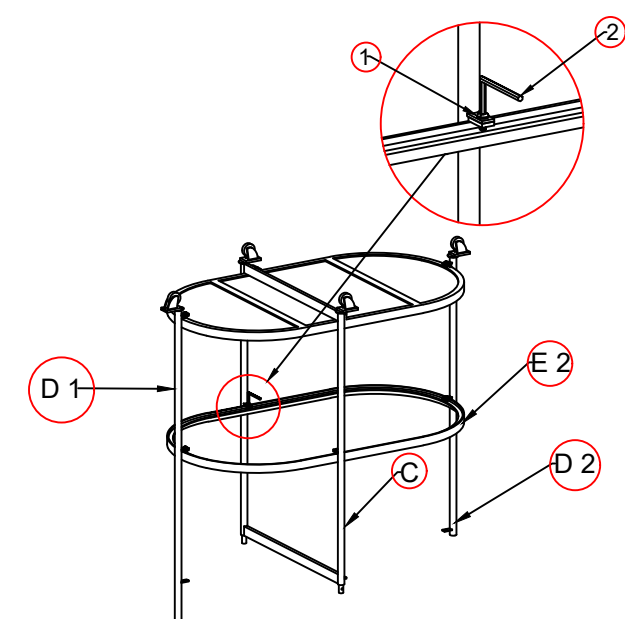
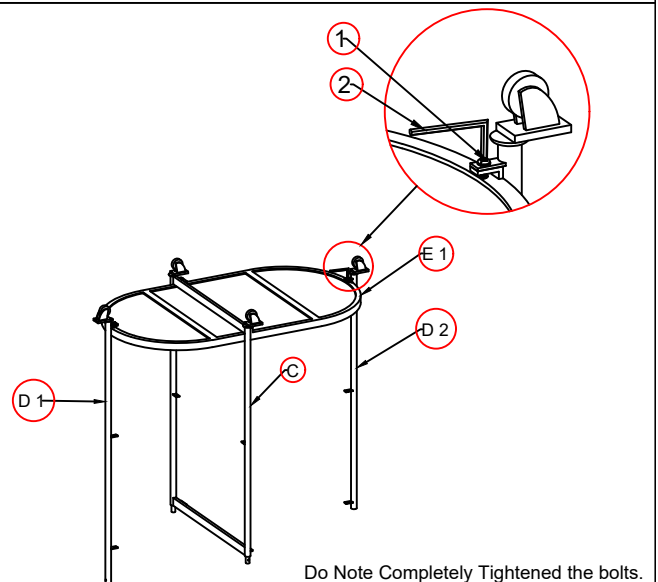
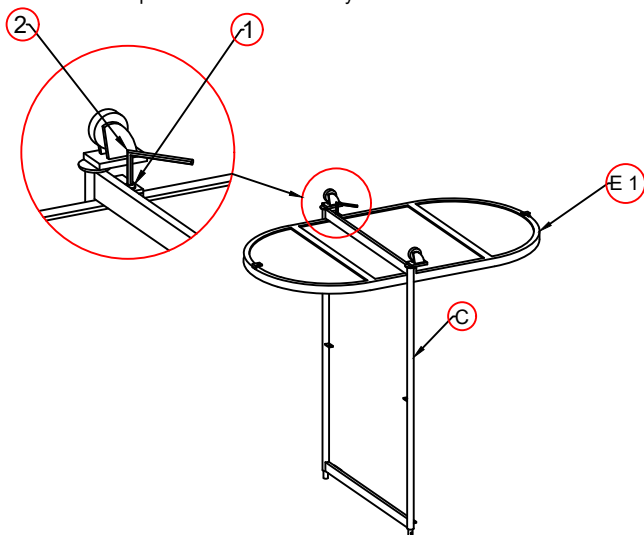
NO.	PART DESCRIPTION		QNT.
A		TOP	1 Pc
B		HANDLE	1 Pc
C		IRON FRAME	1 Pc
D		IRON LEG D1,D2	2 Pcs
E		IRON SHELF E 1 ,E2	2 Pcs

F		TOP GLASS	1 Pc
G		SHELF GLASS	1 Pc

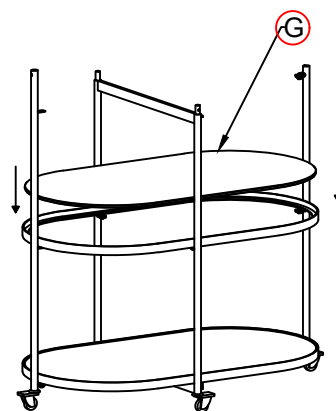
HARDWARE

NO.	PART DESCRIPTION		QNT.
1.		BOLT	15 Pcs
2.		ALLEN KEY	1 Pc

Note : Rotate up side down for Assembly.



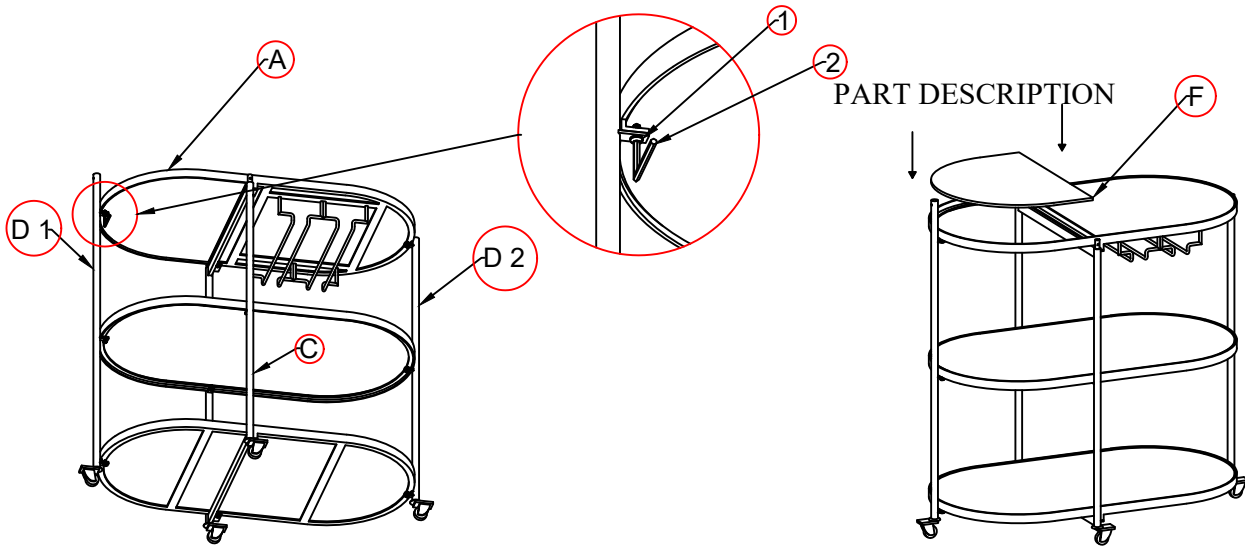
Note : Now Rotate up side for Assembly.



Do Note Completely Tightened the bolts.

ASSEMBLY INSTRUCTIONS

CVFNR4540



Do Note Completely Tightened the bolts.

