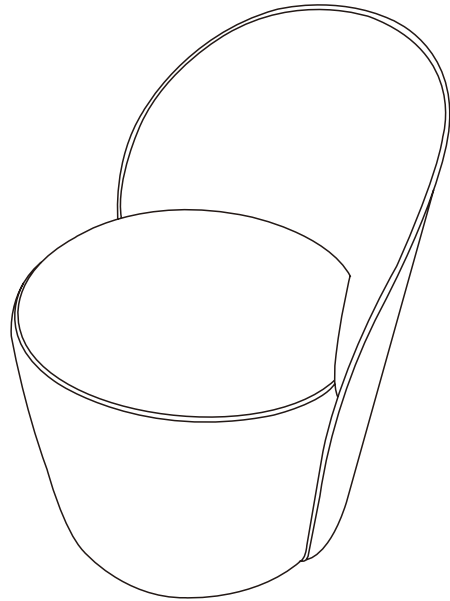



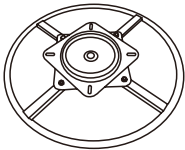
ASSEMBLY INSTRUCTION

chair



DY-HH-299



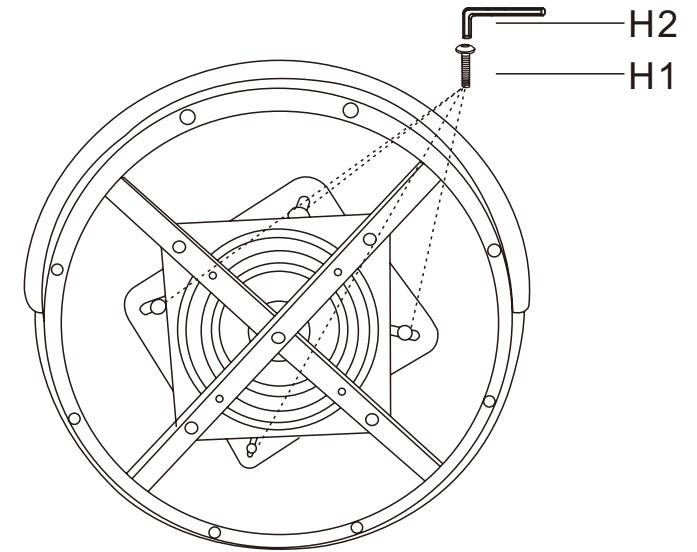
Component List

LABEL		DESCRIPTION	QTY
A		Back	1
B		Base	1

Hardware List

LABEL		DESCRIPTION	QTY
H1		Bolt	4
H2		Allen Wrench	1

1



2

