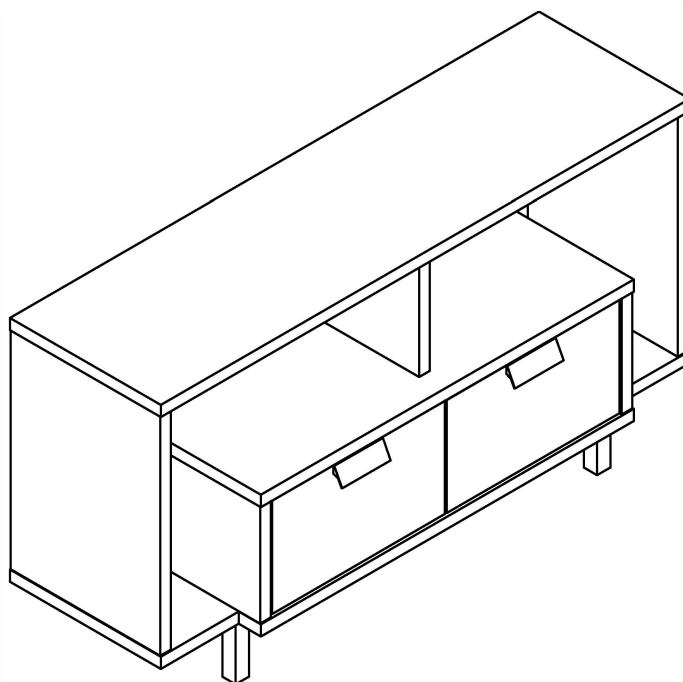


ASSEMBLY INSTRUCTIONS



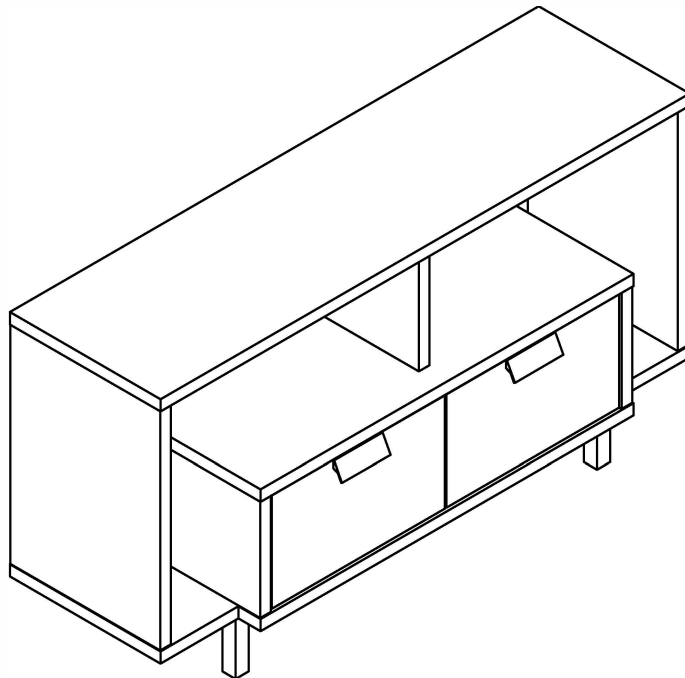
ASSEMBLY INSTRUCTIONS

PLEASE READ BEFORE ASSEMBLING!

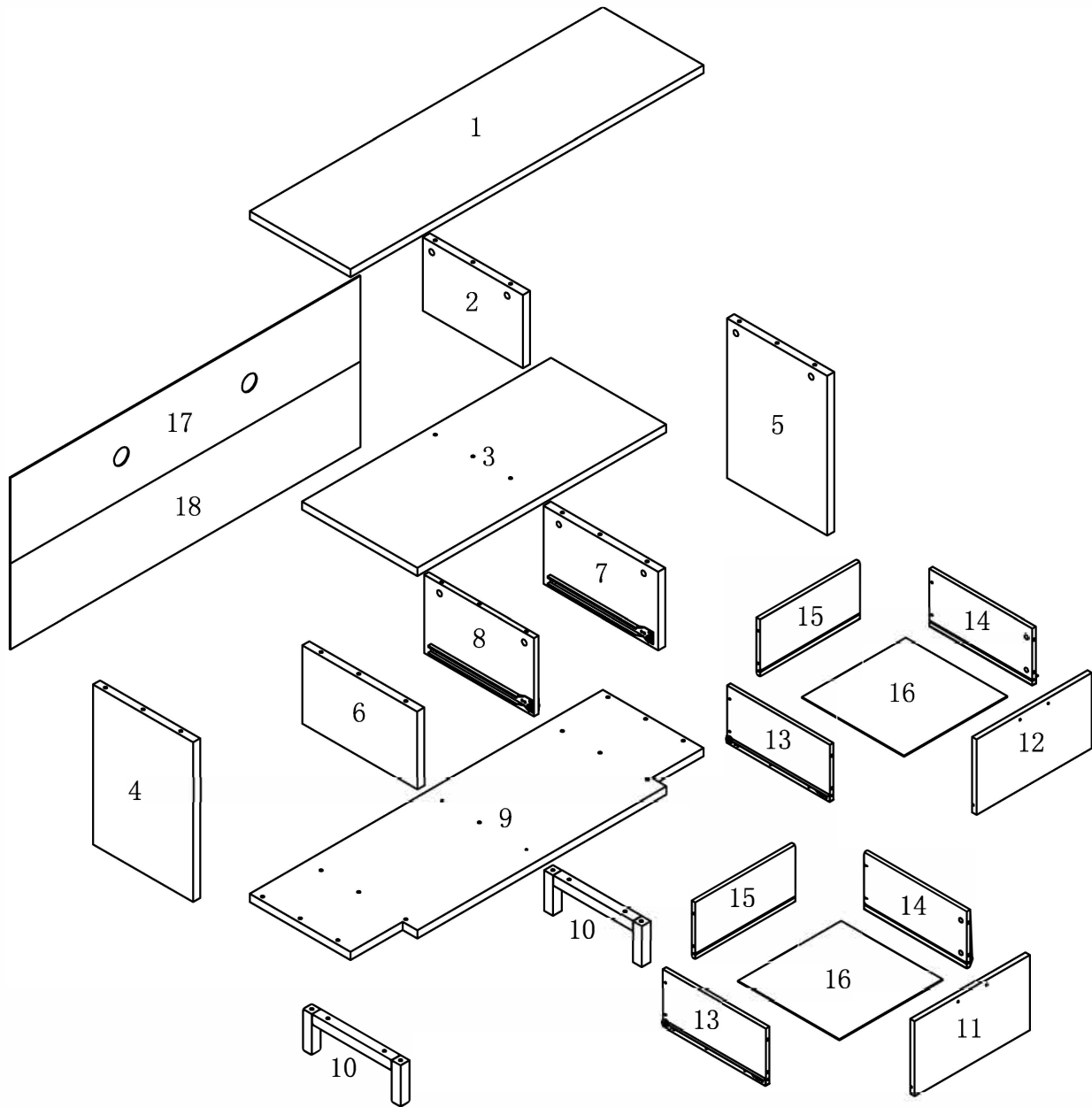
Tip #1: Make sure you've taken all the pieces and hardware out of its packaging before discarding the box.

Tip #2: Using page 2 and/or page 3 of instruction manual make sure all pieces and hardware are accounted for.

Tip #3: Read manual before assembling, it helps!











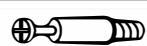








PARTS IDENTIFICATION

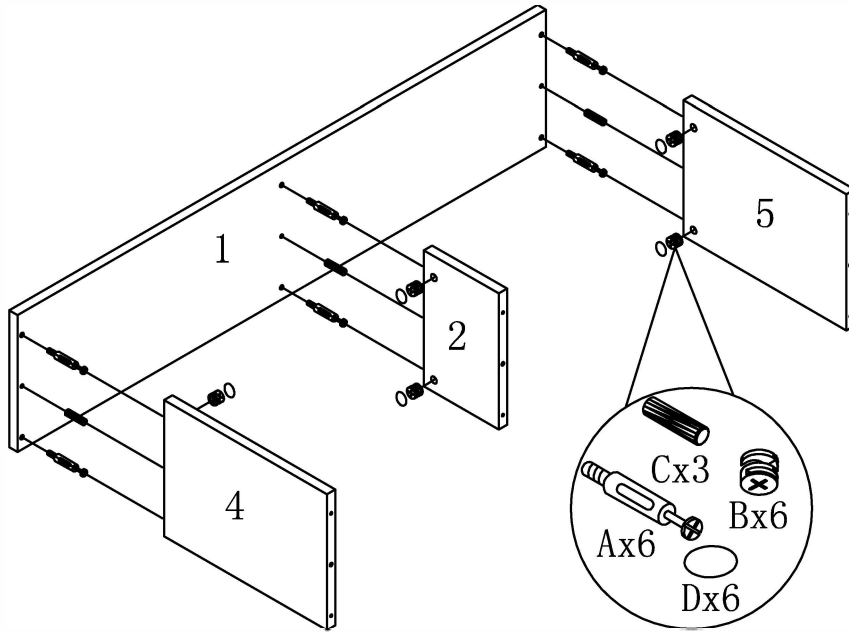


(1)	1pc	(8)	1pc	(15)	2pcs
(2)	1pc	(9)	1pc	(16)	2pcs
(3)	1pc	(10)	2pcs	(17)	1pc
(4)	1pc	(11)	1pc	(18)	1pc
(5)	1pc	(12)	1pc		
(6)	1pc	(13)	2pcs		
(7)	1pc	(14)	2pcs		

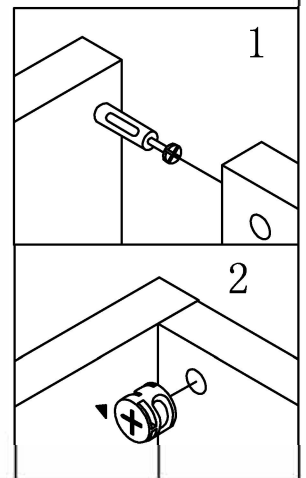
HARDWARE IDENTIFICATION

A		L29	12pcs
B		ø 15	12pcs
C		ø 8x25	16pcs
D		ø 22	6pcs
E		ø 7x48	10pcs
F		ø 8xø 16x2	14pcs
G		ø 16	4pcs
H		M6x40	4pcs
I			40pcs
J		ø 4x30	8pcs
K		L20	8pcs
L		ø 12	8pcs
M		96#	2pcs
N		ø 4x20	4pcs
O		M4	1pc
P		ø 4x40	2pcs
Q		Glue: For securing please apply to wood dowel first before inserting into panel	1pc

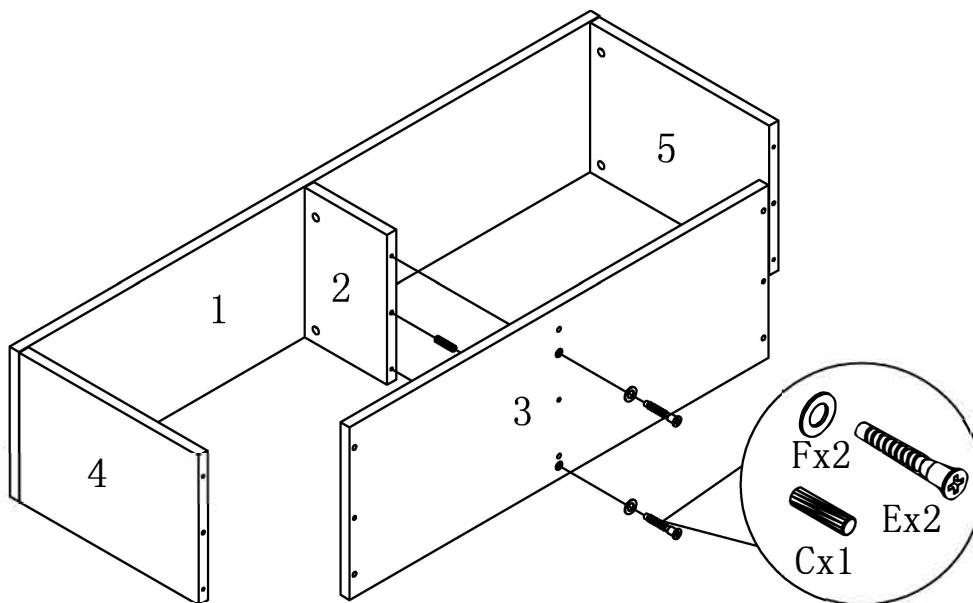
ASSEMBLY INSTRUCTIONS



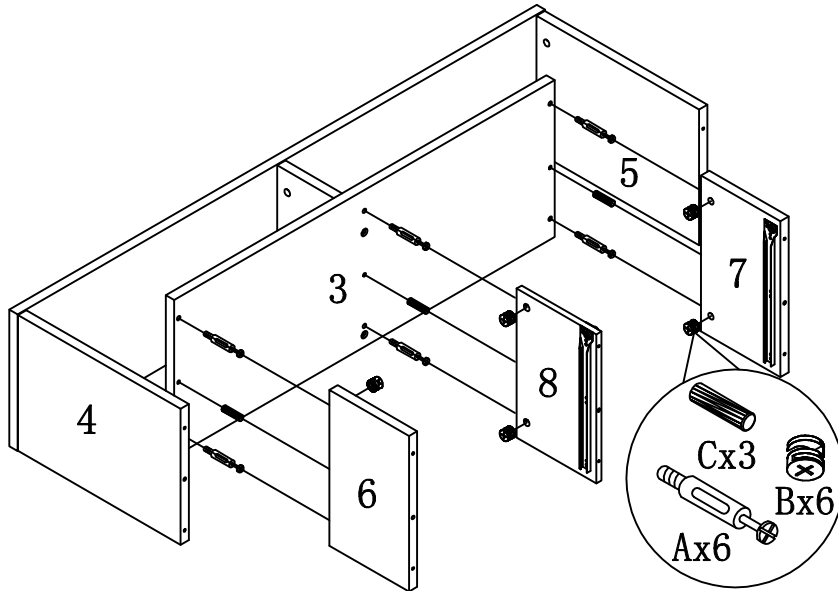
STEP 1



STEP 2

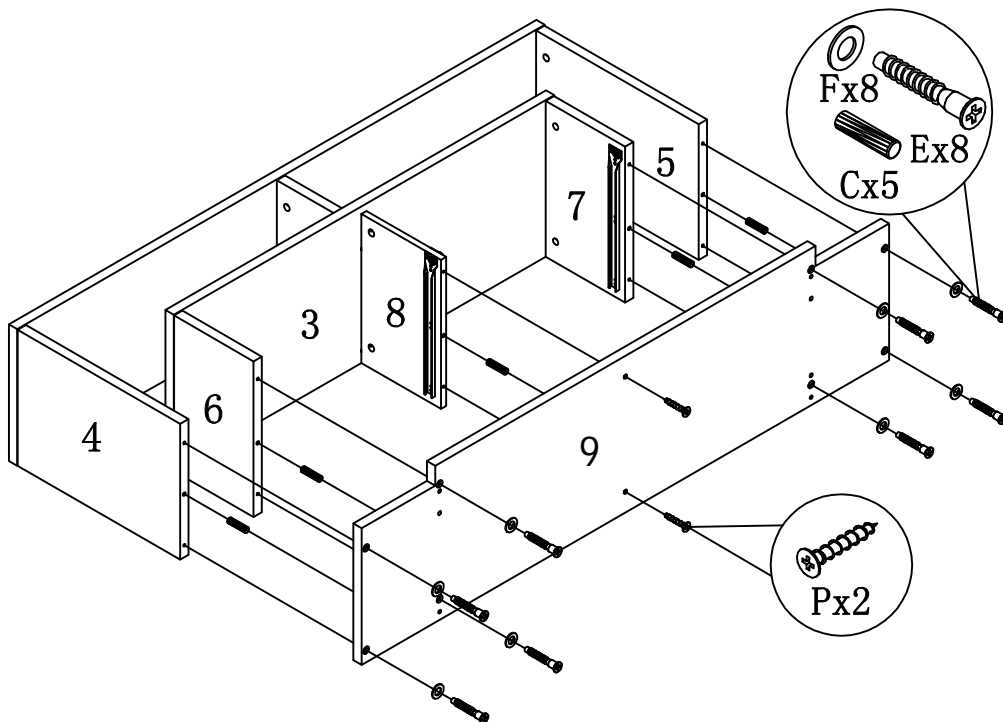


ASSEMBLY INSTRUCTIONS

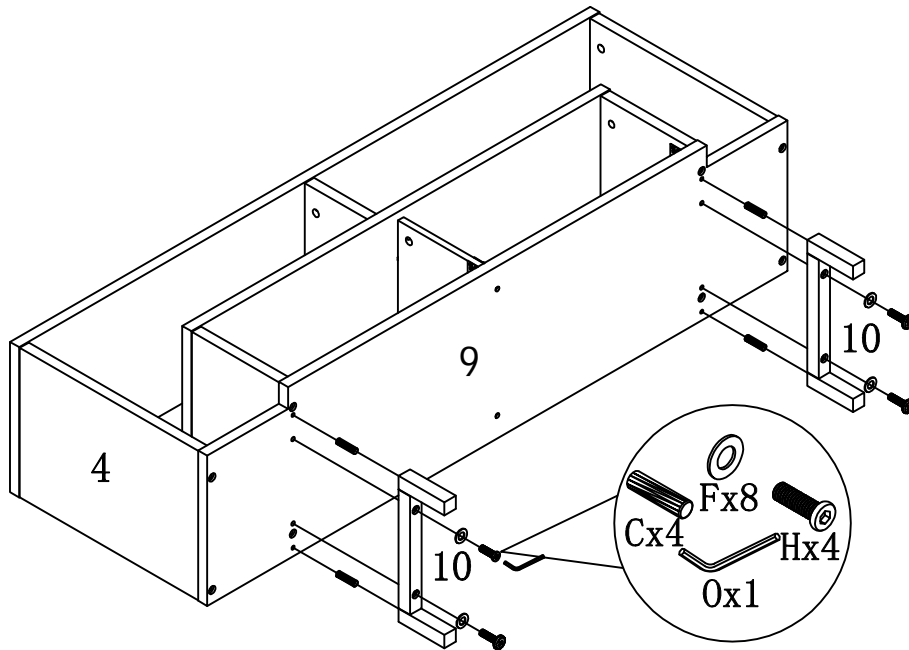


STEP3

STEP4

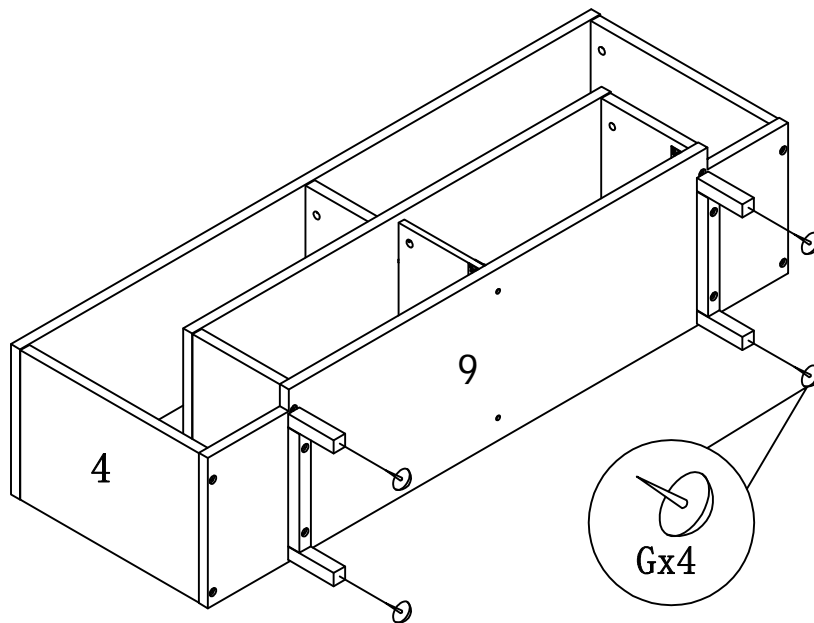


ASSEMBLY INSTRUCTIONS

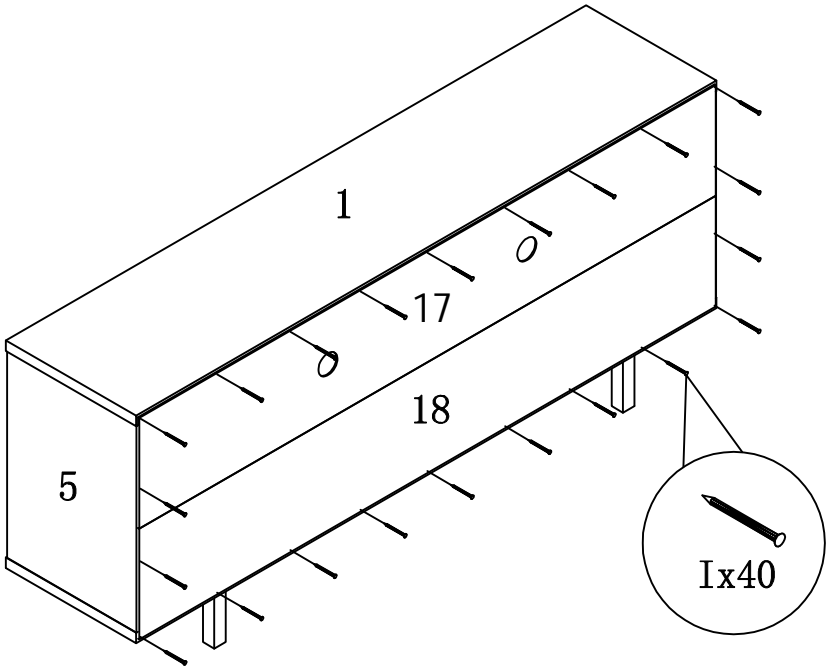


STEP5

STEP6

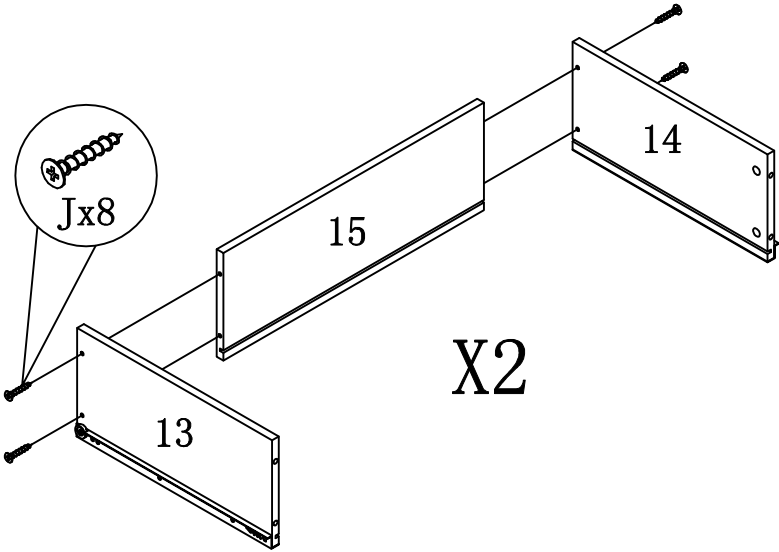


ASSEMBLY INSTRUCTIONS

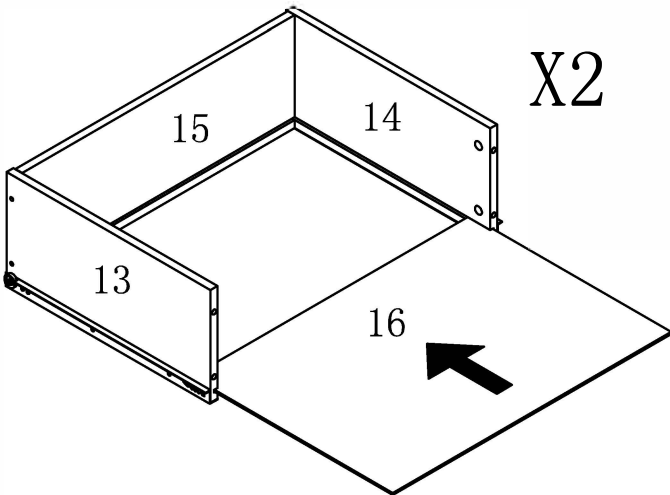


STEP7

STEP8

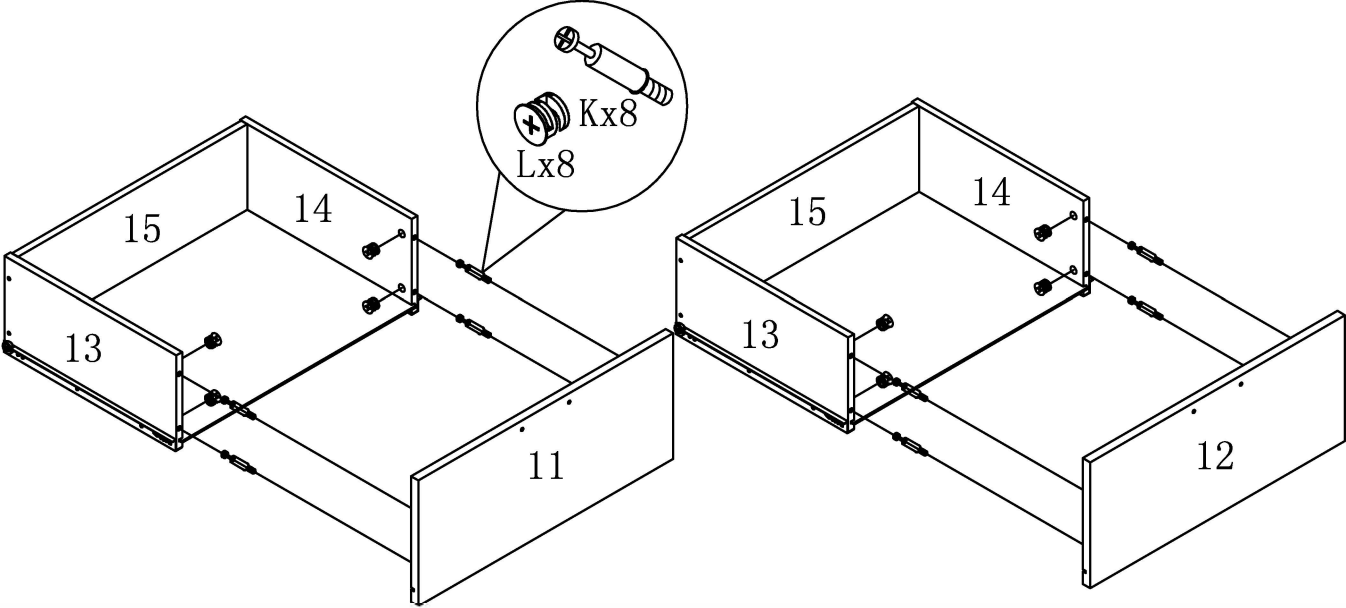


ASSEMBLY INSTRUCTIONS

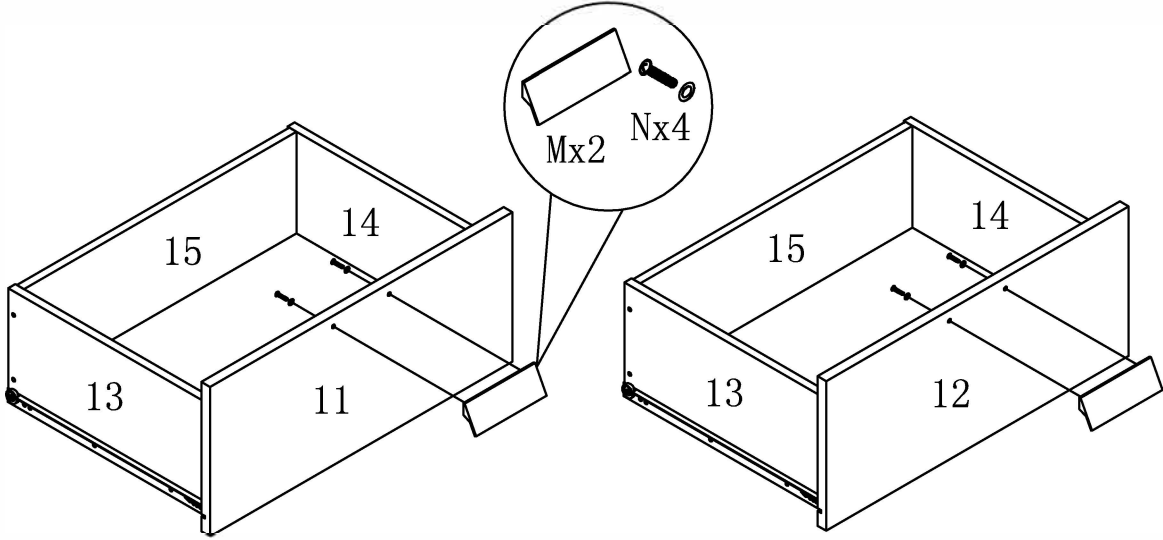


STEP9

STEP10



ASSEMBLY INSTRUCTIONS



STEP 11

STEP 12

