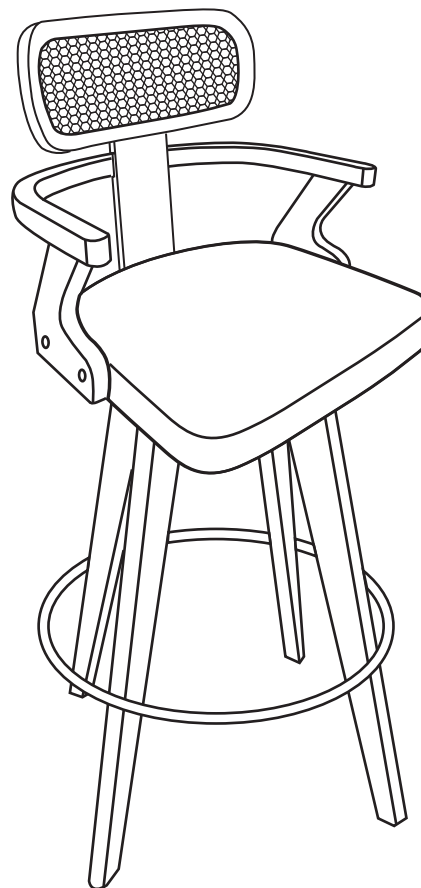
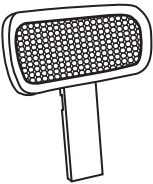
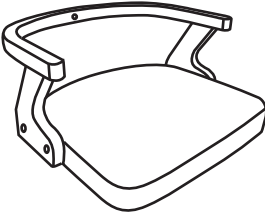
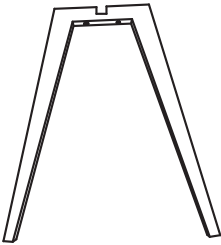
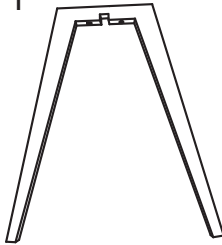
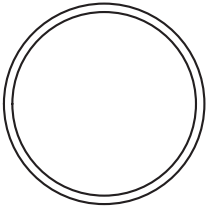
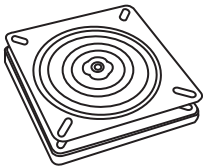
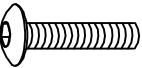
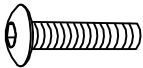
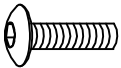
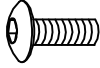



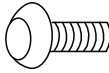


**ITEM NO.: 8516B**



A*1 	B*1 	C*1 	D*1 	E*1 	F*1 		
G*8+1  M6X45mm	H*1+1  M6X30mm	I*2+1  M6X25mm	J*2+1  M6X20mm	K*2+1  Rubber Washer	L*1  M6	M*1+1  Plastic Cap	N*1  SPARE FOOT NAIL

**ITEM NO.: 8516B**

