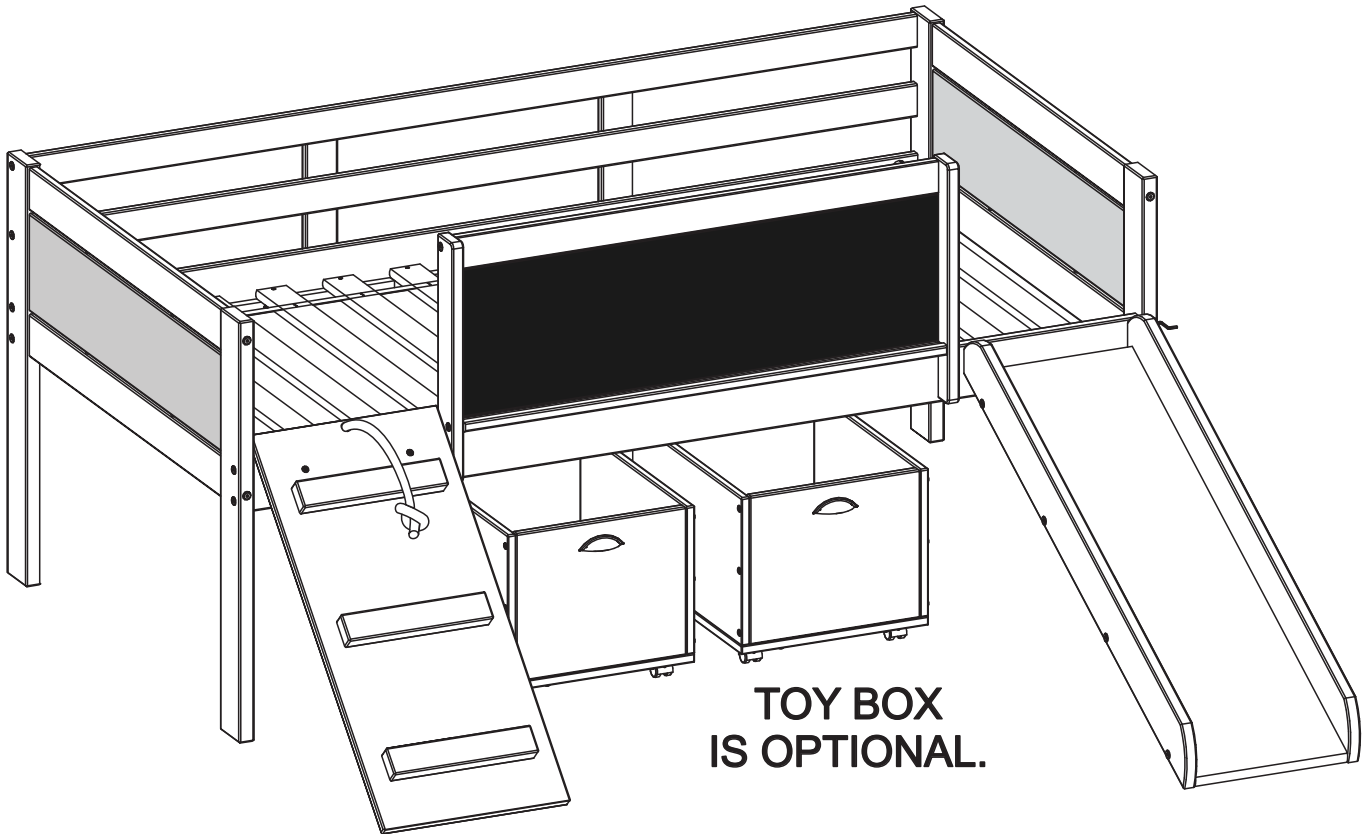


ASSEMBLY INSTRUCTIONS

3005 - Twin Junior Low Loft

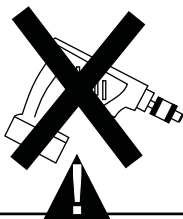


TOY BOX
IS OPTIONAL.

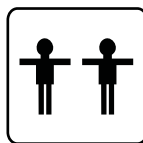
Thank you for purchasing this quality product. Be sure to check all packing material carefully for small parts which may have come loose inside the carton during shipment. Separate identify and count all parts and hardware.

Compare with the parts list to be sure all parts are present.

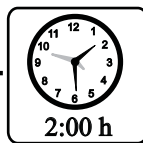
"DO NOT TIGHTEN SCREWS UNTIL COMPLETELY ASSEMBLED"



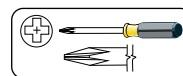
* Use of power tool to assemble this product will invalidate any claim and damage this product making unsafe !!!
* Please assemble on a clean soft surface to avoid damage.



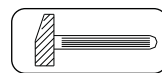
+



Tools Required



(Not included)



(Not included)

IMPORTANT:

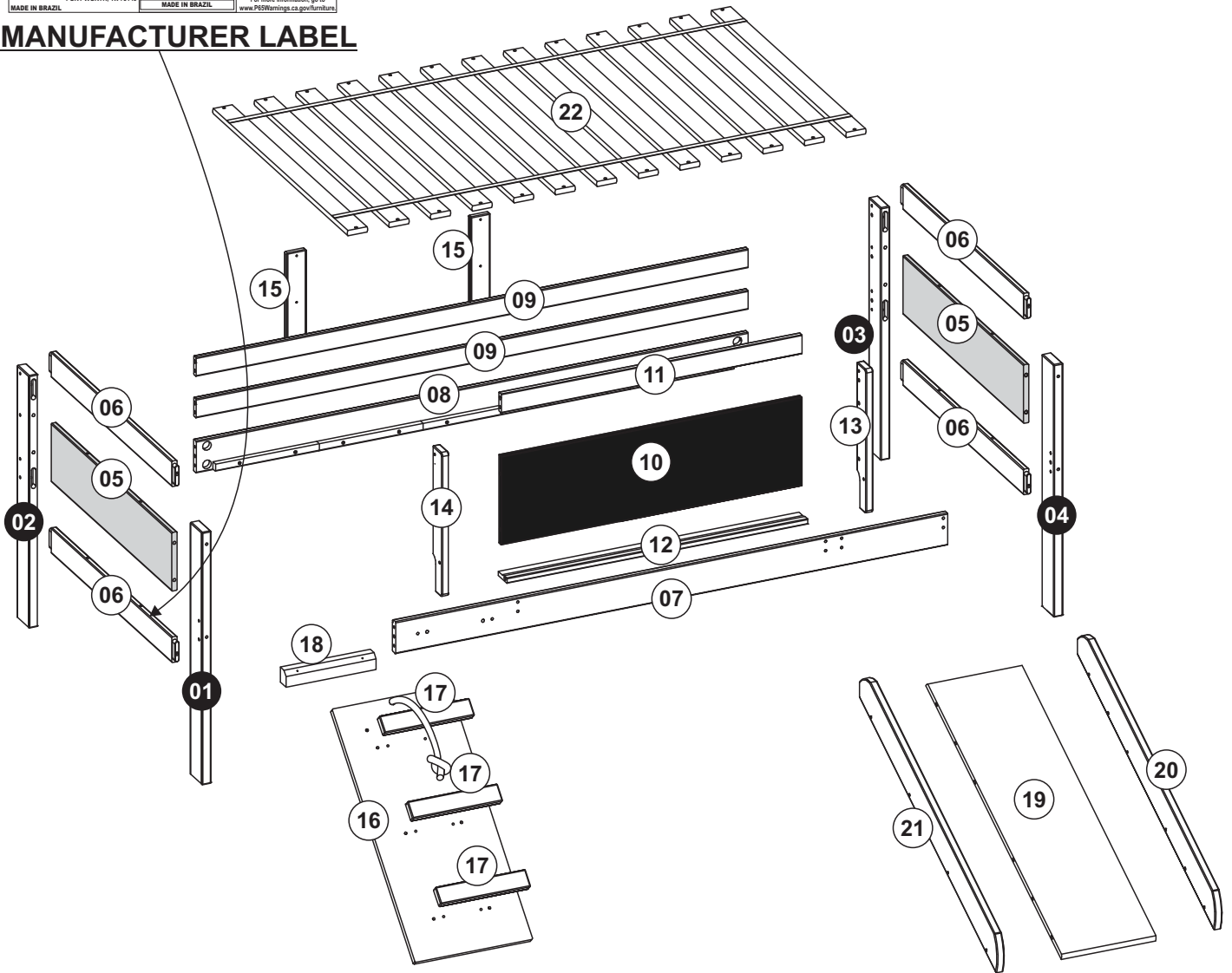
PLEASE READ INSTRUCTION BEFORE STARTING THE ASSEMBLY

Twin Junior Low Loft



| | | |
|-----------------------------------|---------------------------|--------------------------------------|
| PRODUCT: TWIN JUNIOR LOW LOFT | DONCO TRADING CO. | WARNING |
| MODEL #: 3005 | California Proposition 65 | This product can expose you to |
| MFG CODE #: 0 | FORMALDEHYDE. PHASE 2 | chemicals, including formaldehyde |
| PO # 0009 | which is known to the | State of California to cause cancer. |
| MFG DATE: OCTOBER/2013 | FOR RESIDENTIAL USE ONLY. | For more information, go to |
| DISTRIBUTED BY: DONCO TRADING CO. | NOT FOR COMMERCIAL USE. | www.P65Warnings.ca.gov/furniture |
| FORT WORTH, TX 76140 | MADE IN BRAZIL | |



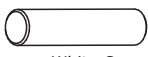
MANUFACTURER LABEL

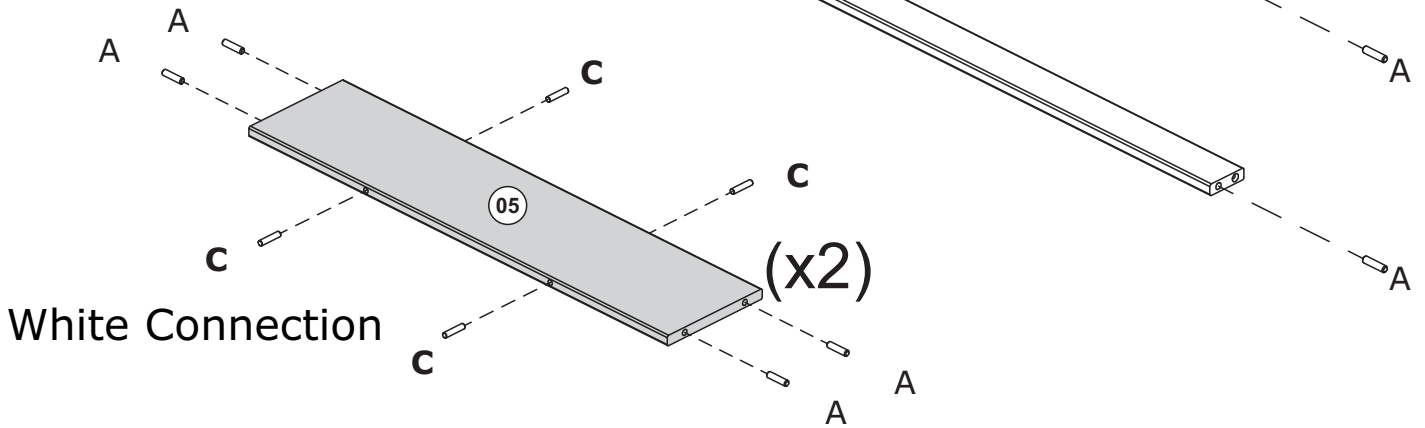
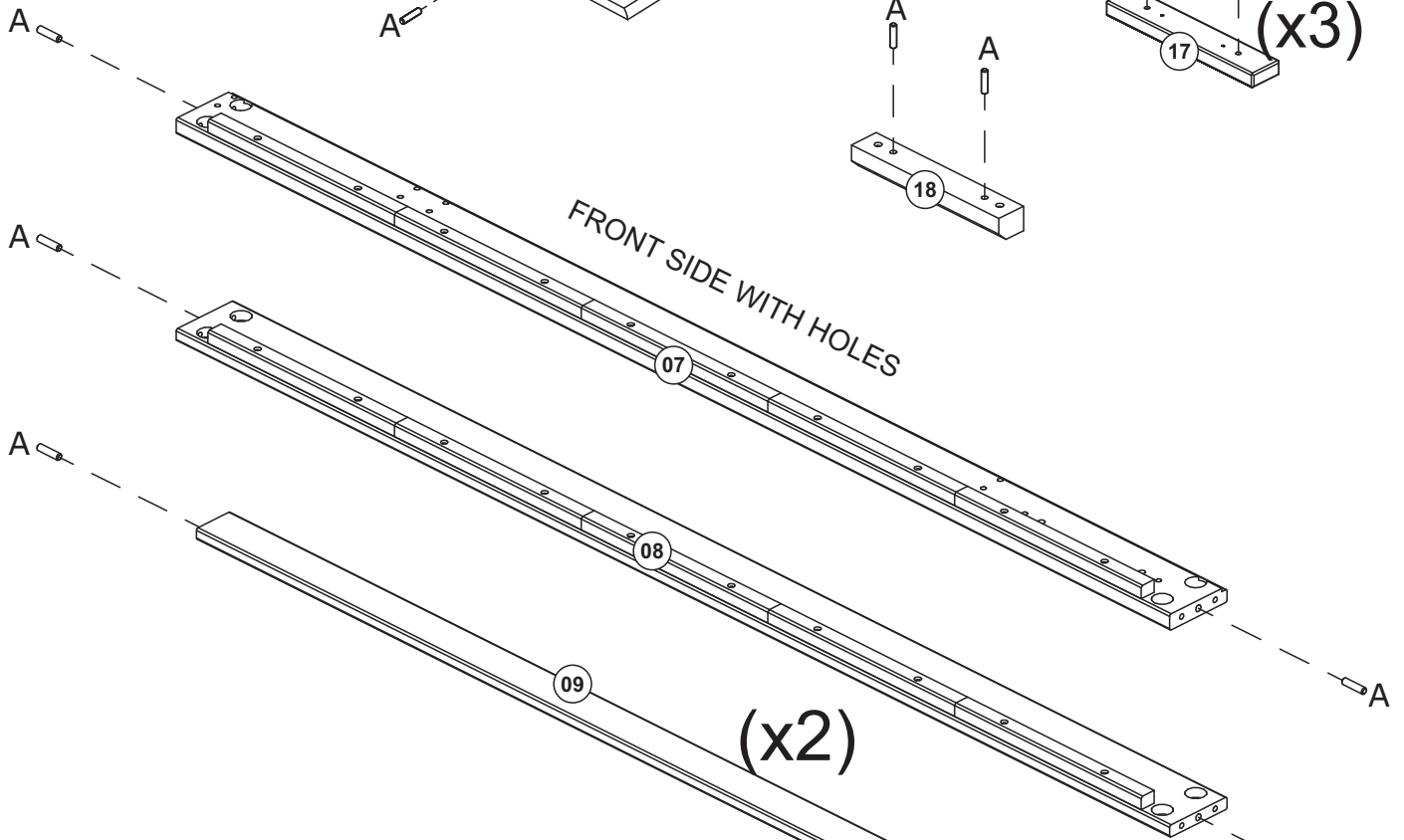
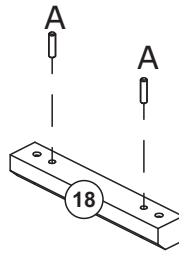
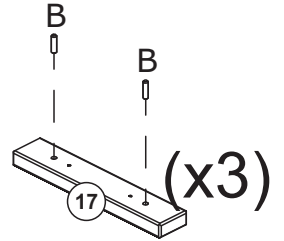
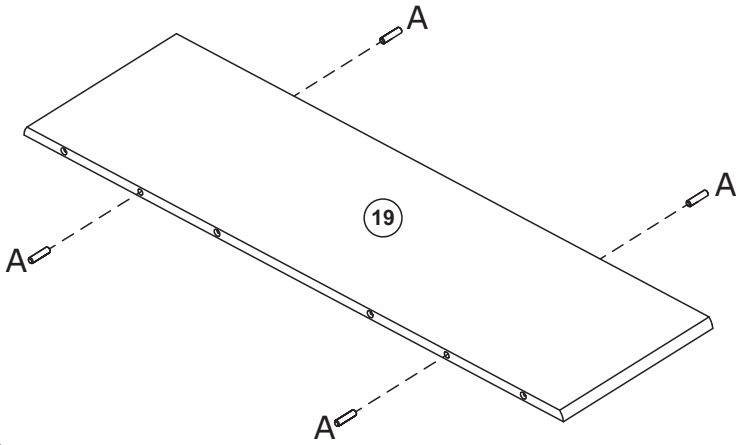
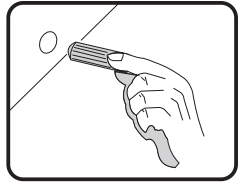


Identifying the Hardware-Identify the hardware using the illustrations below.

| | | | | | | | | |
|----------|------------------|-----------|----------|----------------|-----------|----------|---------------|-----------|
| A | Ø10x40mm | 29 | E | Ø7x70mm (Ø17) | 08 | I | Ø7x40mm (Ø13) | 08 |
| B | Ø8x30mm | 06 | F | Ø7x50mm (Ø17) | 18 | J | Ø4x30mm | 32 |
| C | White Connection | 08 | G | 1/4x70mm (Ø17) | 08 | K | | 08 |
| D | Ø7x110mm (Ø17) | 08 | H | 4mm | 01 | | | |

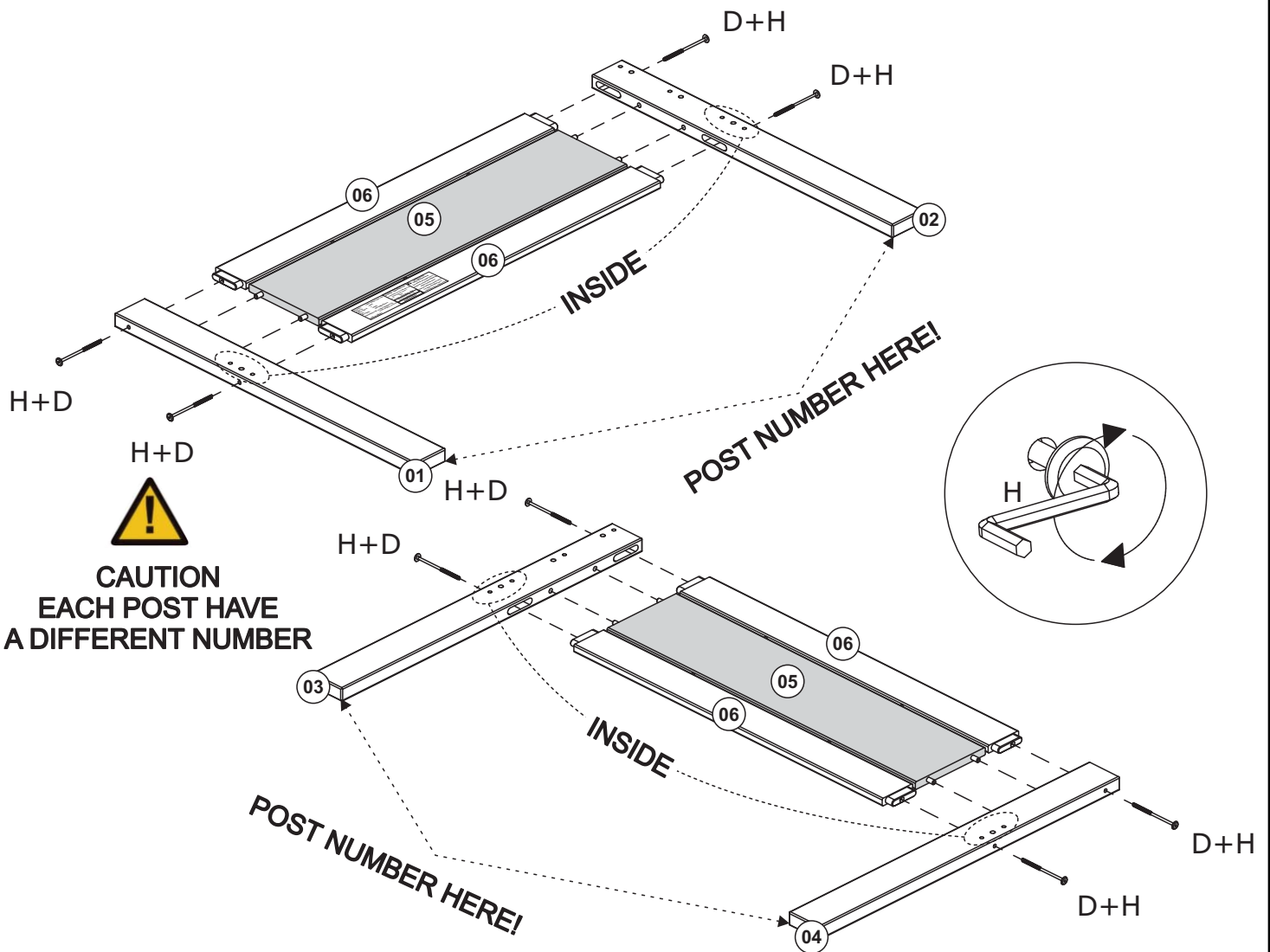
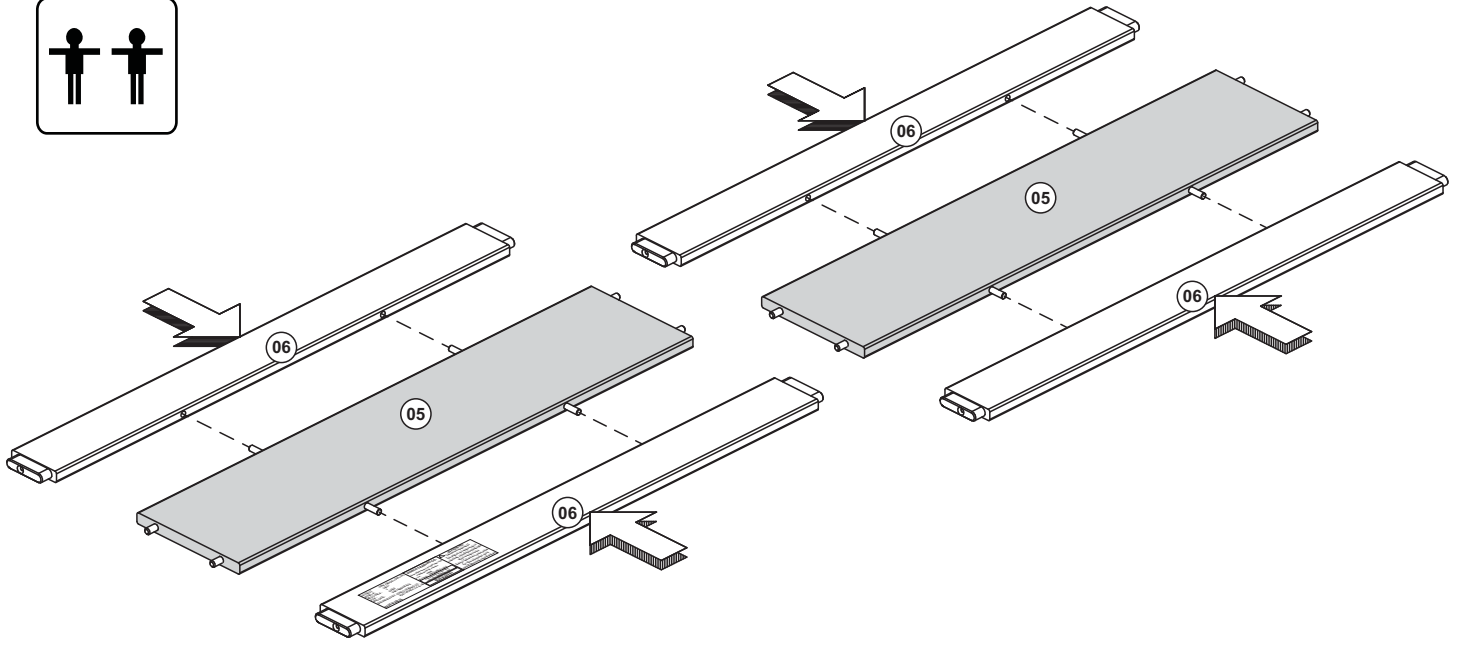
01

| | | | | | | | | |
|----------|---|-----------|----------|--|-----------|----------|---|-----------|
| A |  Ø10x40mm | 22 | B |  Ø8x30mm | 06 | C |  White Connection | 08 |
|----------|---|-----------|----------|--|-----------|----------|---|-----------|







02

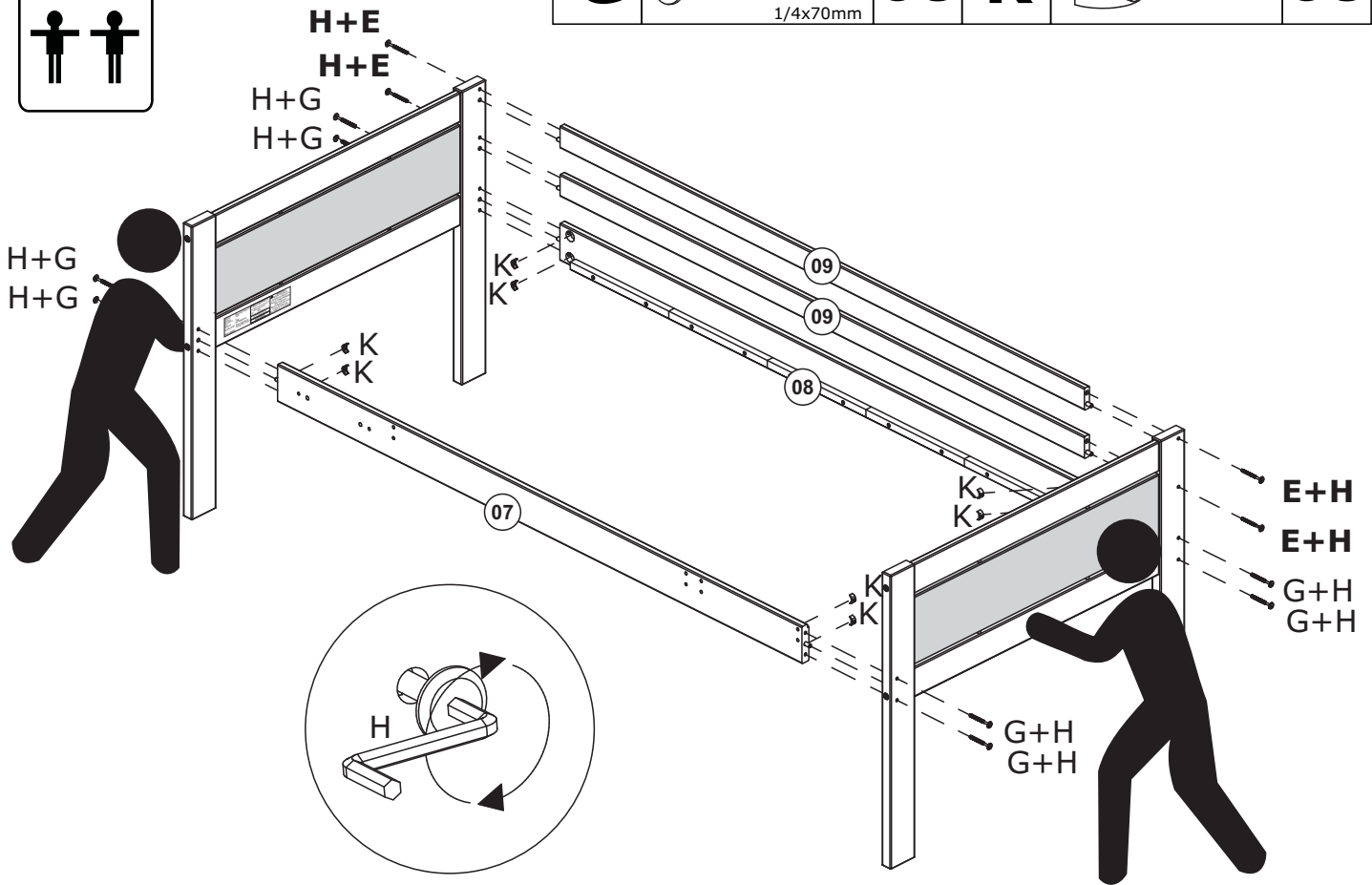
| | | | | | |
|----------|--|-----------|----------|---|-----------|
| D |  Ø7x110mm | 08 | H |  4mm | 01 |
|----------|--|-----------|----------|---|-----------|





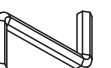
03



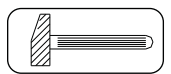
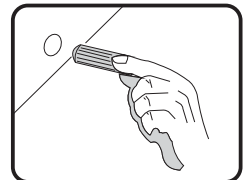
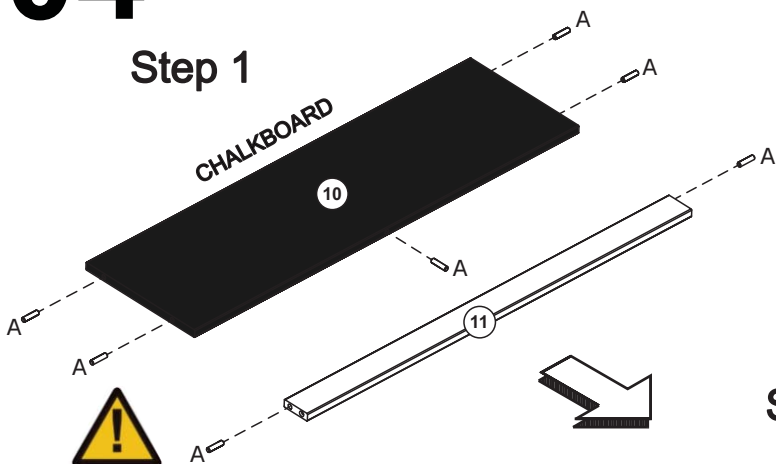
| | | | | | |
|----------|---|-----------|----------|---|-----------|
| E |  | 04 | H |  | 01 |
| G |  | 08 | K |  | 08 |



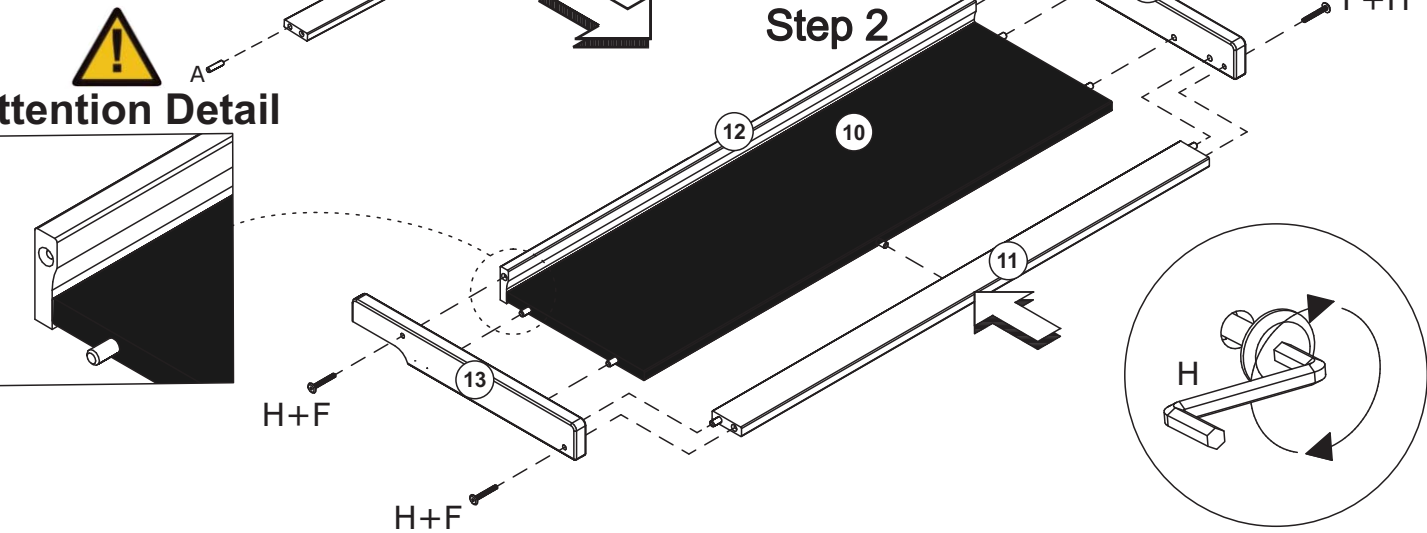
04

| | | | | | | | | |
|----------|---|-----------|----------|---|-----------|----------|---|-----------|
| A |  | 07 | F |  | 04 | H |  | 01 |
|----------|---|-----------|----------|---|-----------|----------|---|-----------|

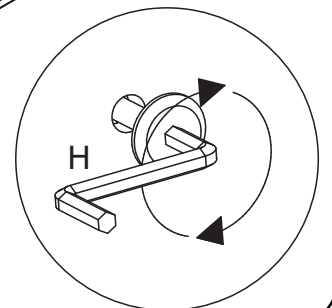
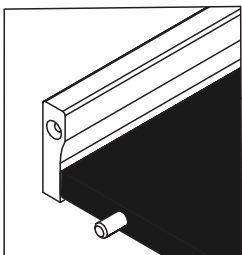
Step 1



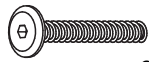
Step 2



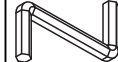
Attention Detail



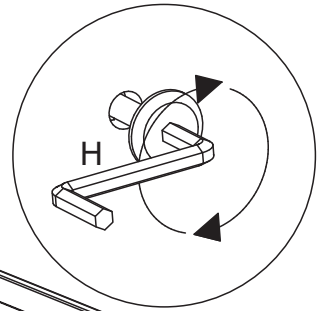
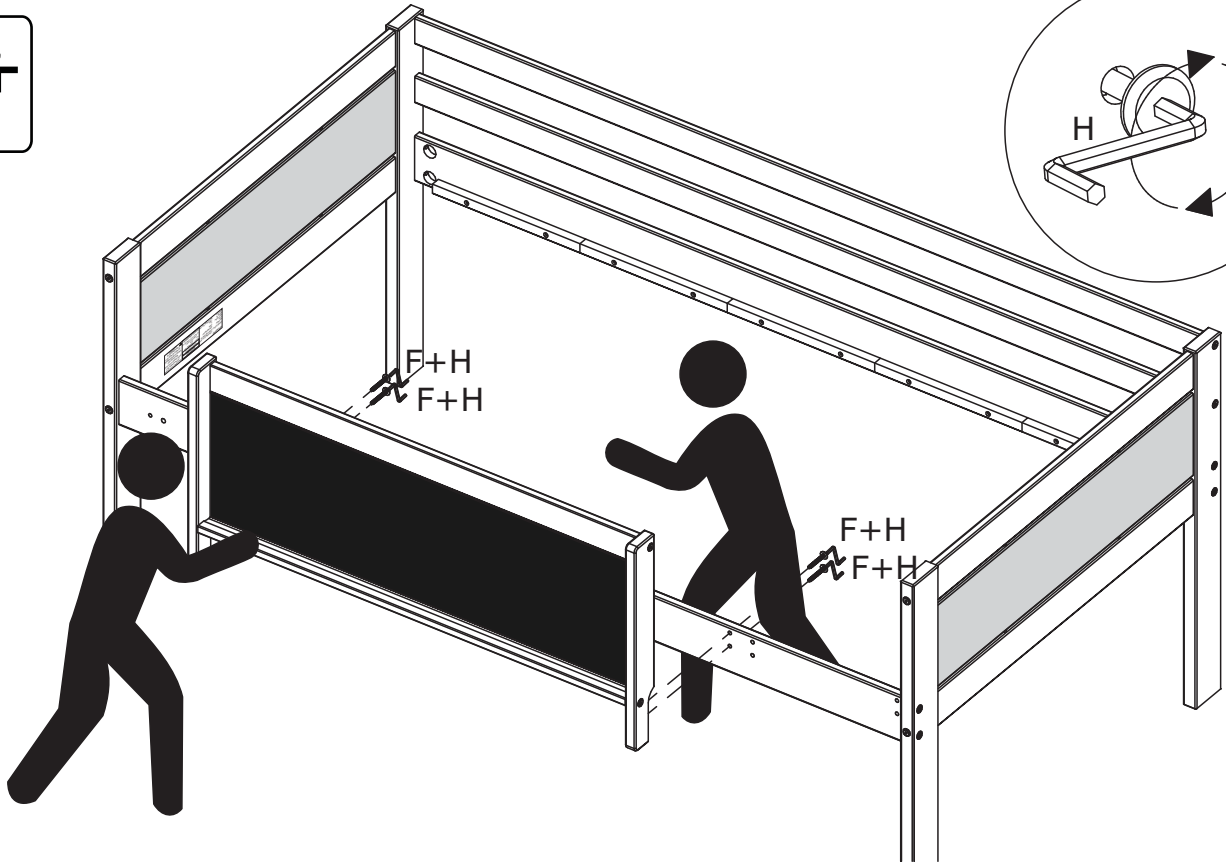
05

**F**

Ø7x50mm

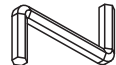
04**H**

4mm

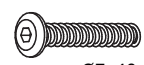
01

06

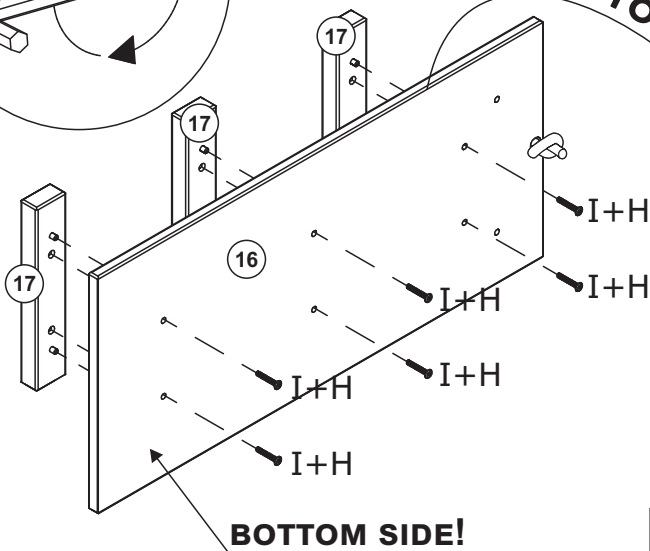
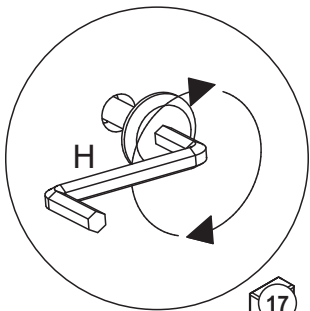
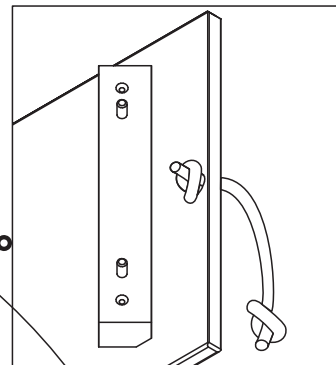
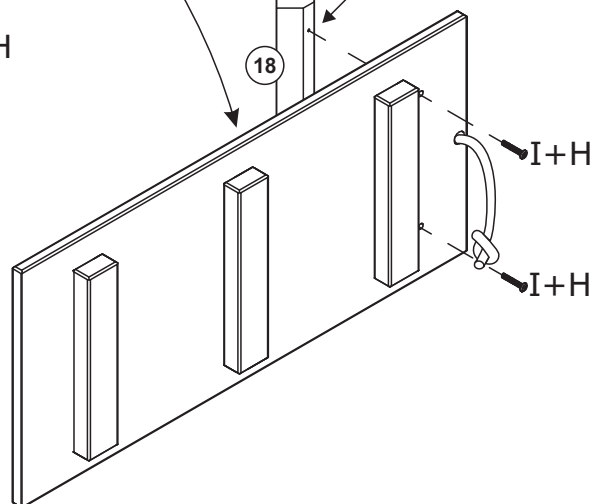
ACCESS

H

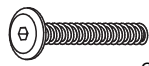
4mm

01**I**

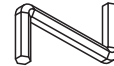
Ø7x40mm (Ø13)

08**BOTTOM SIDE!****PRE HOLES****Attention
Detail**

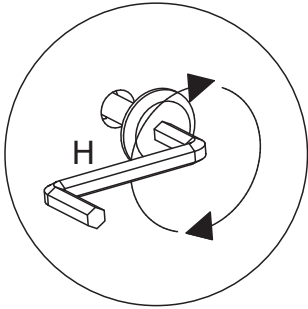
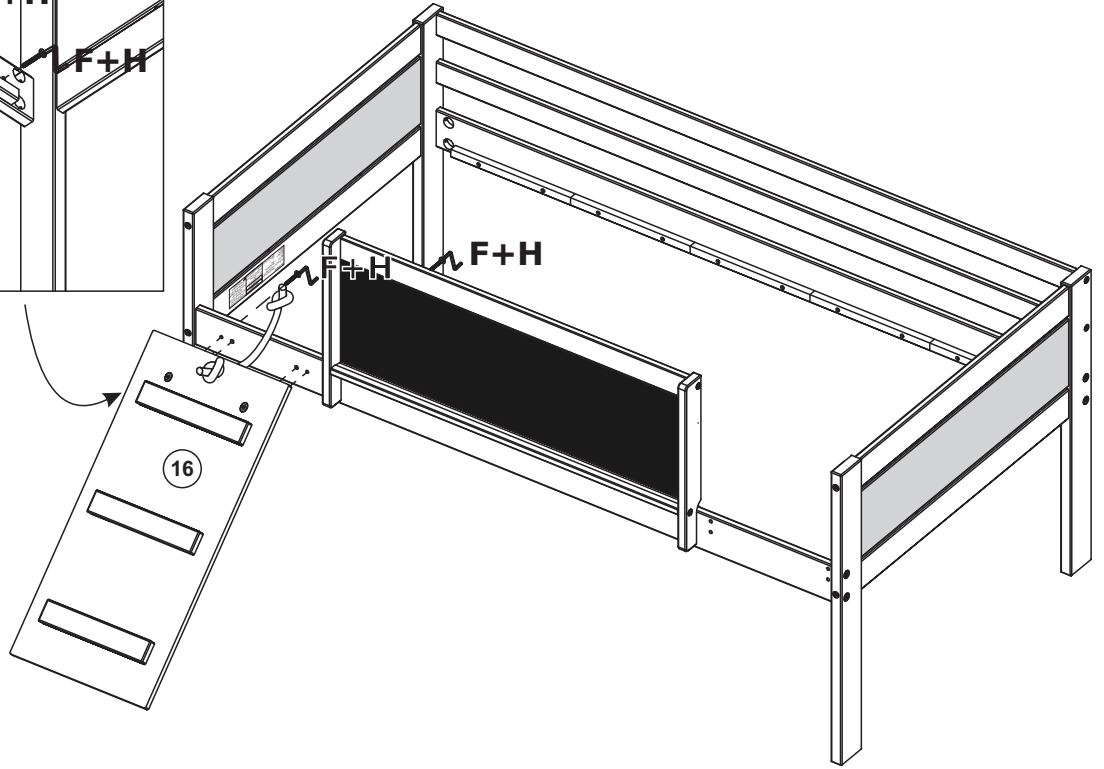
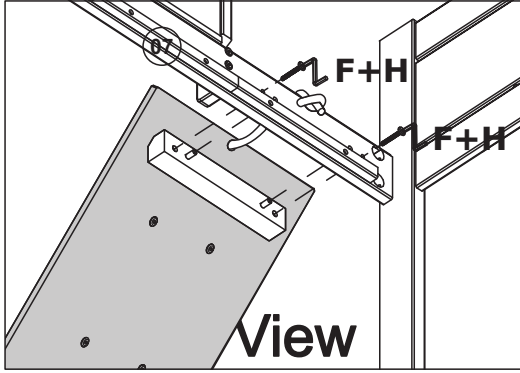
07

F

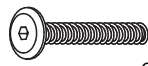
Ø7x50mm

02 H

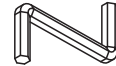
4mm

01

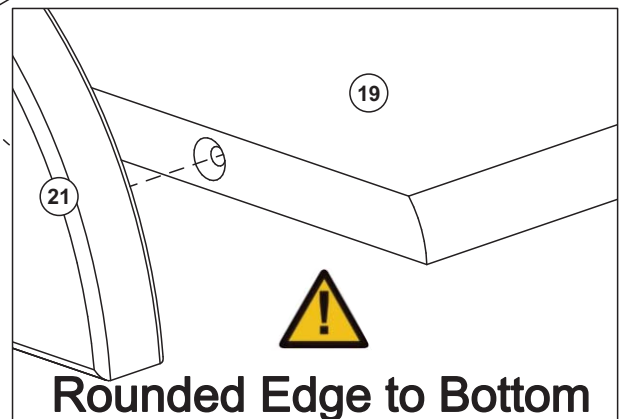
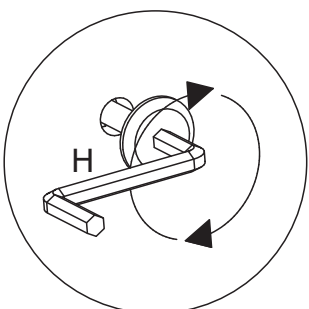
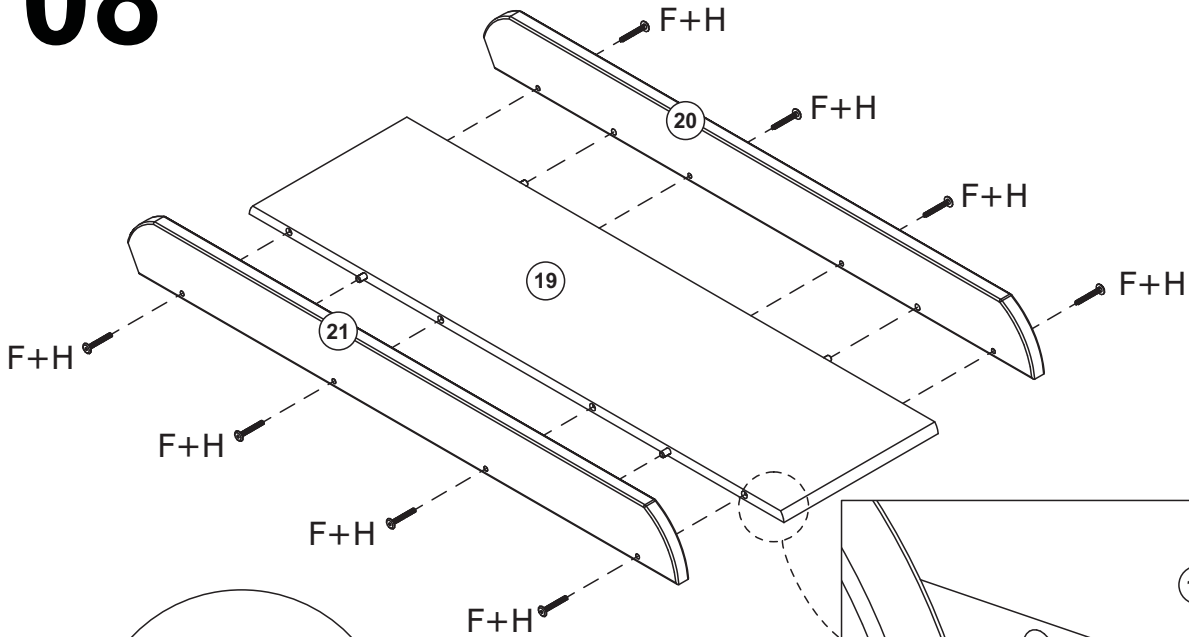
08

SLIDE**F**

Ø7x50mm

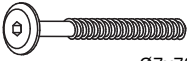

08 H

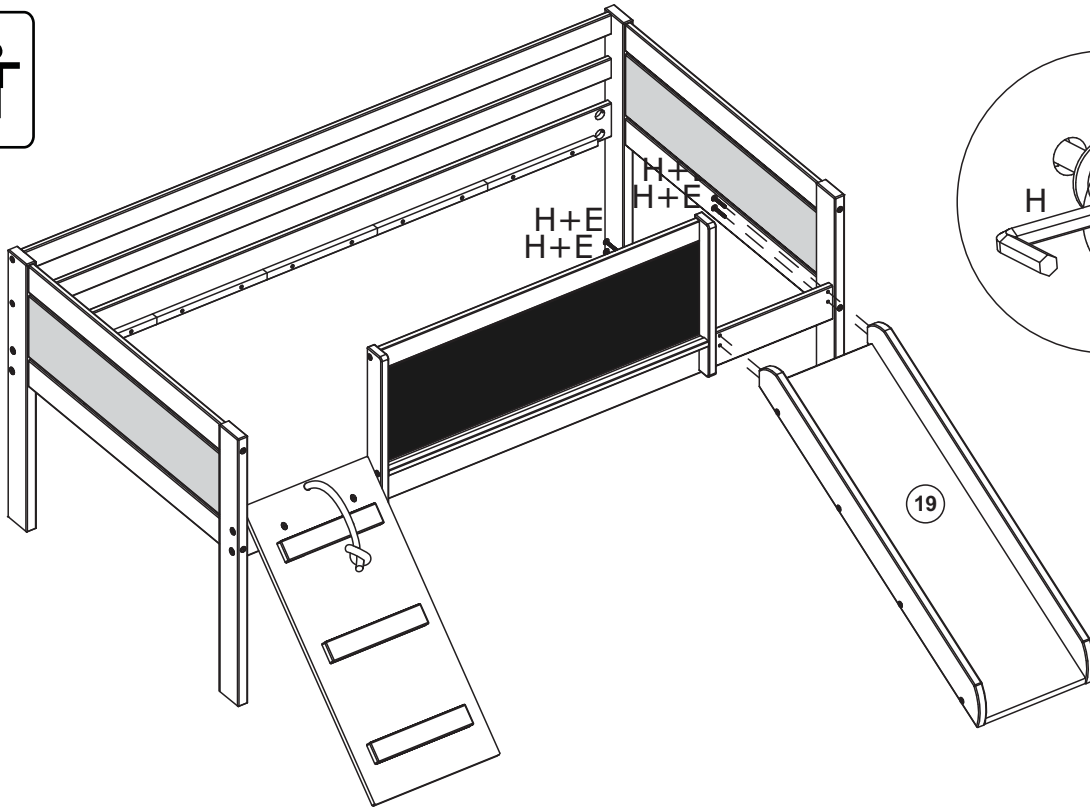
4mm

01**Rounded Edge to Bottom**


09

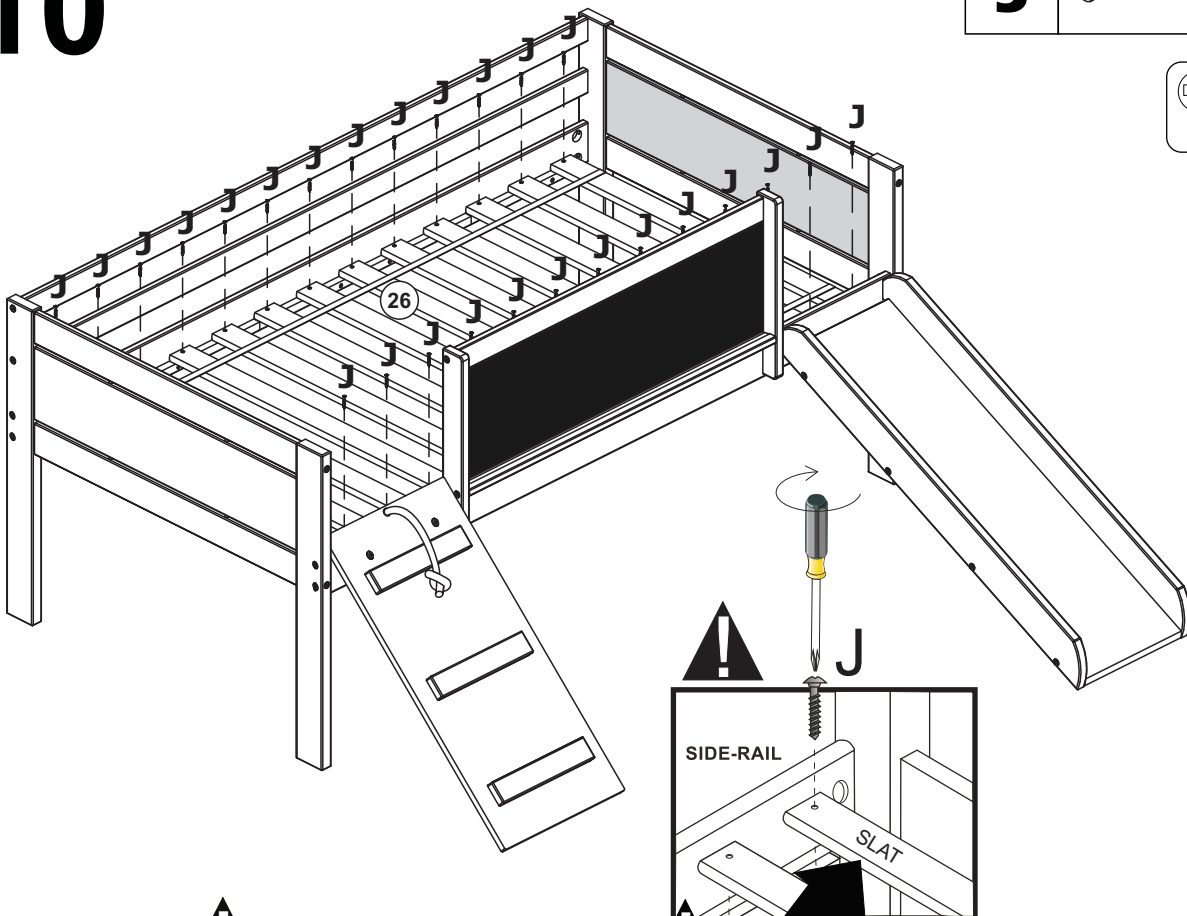
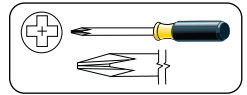


| | | | | | |
|----------|---|-----------|----------|---|-----------|
| E |  Ø7x70mm | 04 | H |  4mm | 01 |
|----------|---|-----------|----------|---|-----------|



10

| | | |
|----------|--|-----------|
| J |  Ø4x30mm | 26 |
|----------|--|-----------|



“INSTALL SLAT KIT WITH SPACER TAPE ON TOP(FACING UP)”

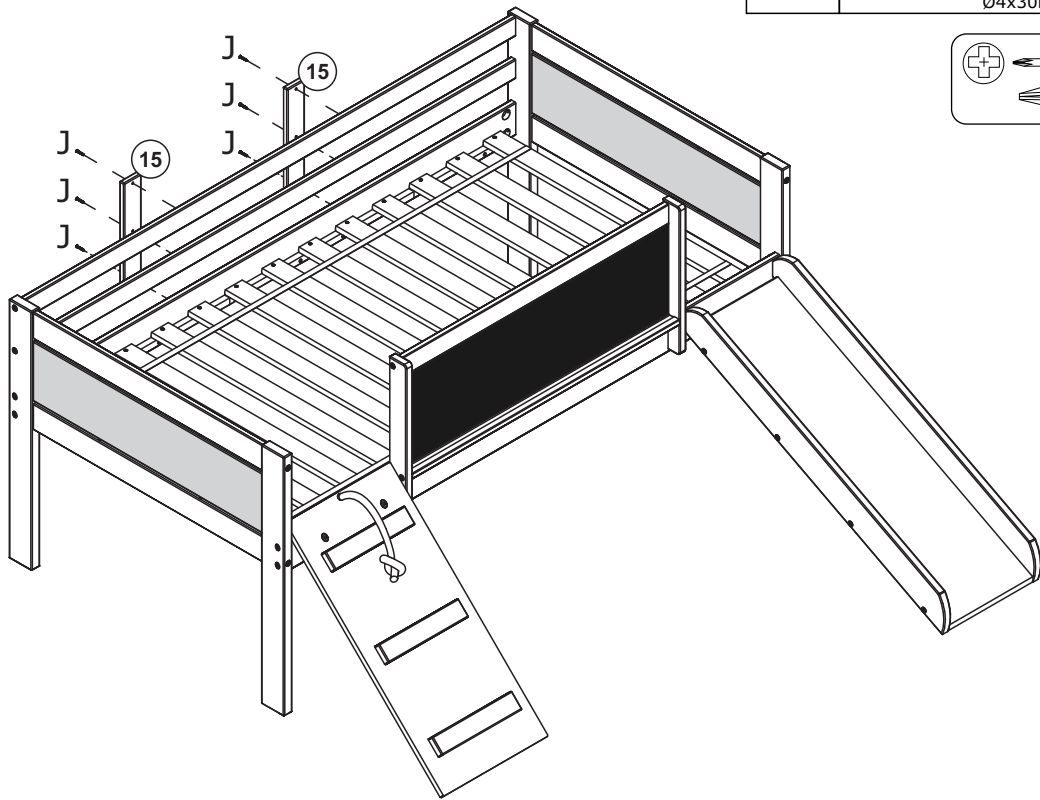
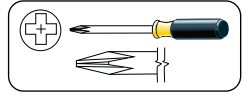


The first slats must be fixed at 3" from each headboard end.

11

J

Ø4x30mm

06

TOY BOX IS OPTIONAL

