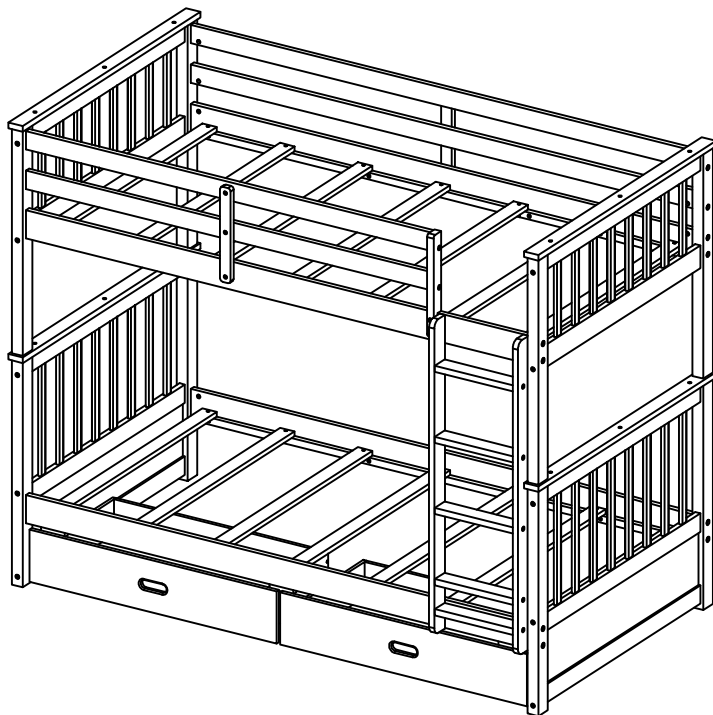


# ASSEMBLY INSTRUCTIONS

## TWIN OVER TWIN BUNKBED



1

# ! SAFETY WARNINGS !

1. This bed is designed for use only mattress(es) meeting the following specifications on the upper bunk, and lower bunk:

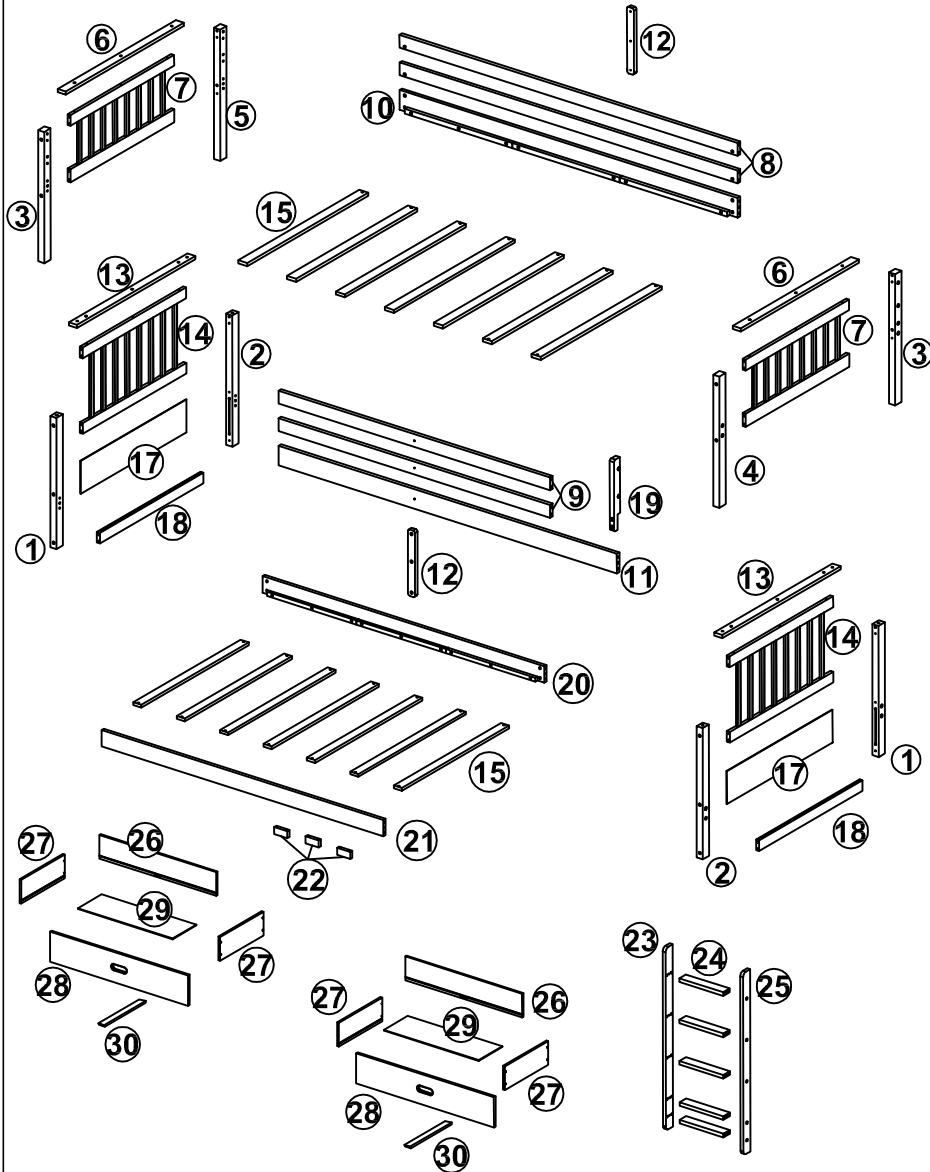
Upper bunk(bunk bed and tribed included)

Bed type	Length	Width	Thickness
Twin Standard	74" - 75"	37 1/2" - 38 1/2"	6"

2. Replacement parts, including additional guardrails, may be obtained from any of our ( GIGACLOUD TECHNOLOGY (USA) INC.) dealers
3. Follow the information on the warnings appearing on the upper bunk bed end structure and on the carton. Do not remove warning label from bed.
4. Always use the recommended size mattresses or mattress supports, or both, to help prevent the likelihood of entrapment or falls.
5. Surface of the mattress must be at least 5 in. (127 mm) below the upper edge of guardrails.
6. Do not allow children under 6 years of age to use the upper bunk.
7. Periodically check and ensure that the guardrail, ladder, and other components are in their proper position, free from damage, and that all connectors are tight.
8. Do not allow horseplay on or under the bed and prohibit jumping on the bed
9. Always use the ladder for entering and leaving the upper bunk.
10. Do not use substitute parts. Contact the manufacturer or dealer for replacement parts.
11. Use of a night light may provided added safety precaution for a child using the upper bunk.
12. Always use guardrails on both long sides of the upper bunk. If the bunk bed will be placed next to the wall, the guardrail that runs the full length of the bed should be placed against the wall to prevent entrapment between the bed and wall.
13. The use of water or sleep flotation mattresses is prohibited.
14. STRANGULATION HAZARD – Never attach or hang items to any part of the bunk bed that are not designed for use with the bed; for axample, but not limited, hook, belts and jump ropes.
15. Keep these instructions for future reference
16. Prohidit more than one person on upper bunk .
17. We recommend assembling your bunk bed on the shipping carton to protect your floor or carpet .
18. Be caertain all staples are out of the box before beginning assembly on the shipping carton .

2

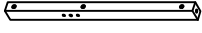
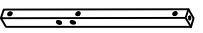
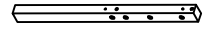

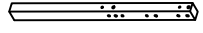

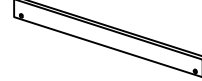



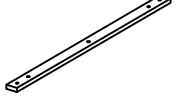

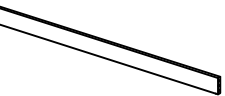


# Detail View



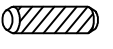

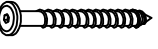
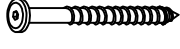








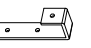
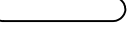

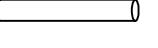

# Part List

17		18		19	
	Side panel - 2pcs		Horizontal bar - 2pcs		Support guard rail - 1pc
7		22		24	
	Upper HB & FB - 2pcs		Wood block - 3pcs		Step ladder - 5pcs
26		27		28	
	Drawer back - 2pcs		Drawer (L/R) - 4pcs		Drawer front - 2pcs
29		30		12	
	Drawer bottom - 2pcs		Center support drawer-2pcs		Vertical guard rail - 2pcs
14		15			
	Lower HB/FB - 2pc		Slat - 14pcs		

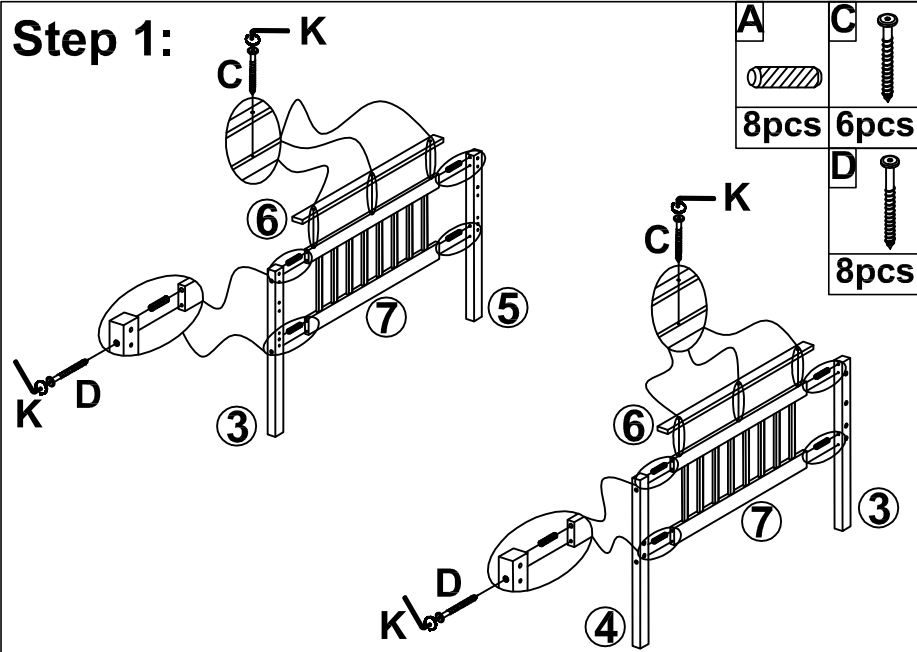
# Part List

<b>1</b> 	<b>2</b> 	<b>3</b> 
Lower leg HB-FB (Left)-2pcs	Lower leg HB-FB (Right)-2pcs	Upper leg HB&FB (L/R)-2pcs
<b>4</b> 	<b>5</b> 	<b>6</b> 
Upper leg FB (Right)-1pc	Upper leg HB (Right)-1pc	Cap for upper HB&FB-2pcs
<b>8</b> 	<b>9</b> 	<b>10</b> 
Long guard rail-2pcs	Short guard rail-2pcs	Side rail upper (Back) -1pc
<b>11</b> 	<b>13</b> 	<b>20</b> 
Side rail upper (Front) -1pc	Cap for lower HB&FB-2pcs	Side rail lower (Back) -1pc
<b>21</b> 	<b>23</b> 	<b>25</b> 
Side rail lower (Front) -1pc	Ladder (Left) - 1pc	Ladder (Right) - 1pc

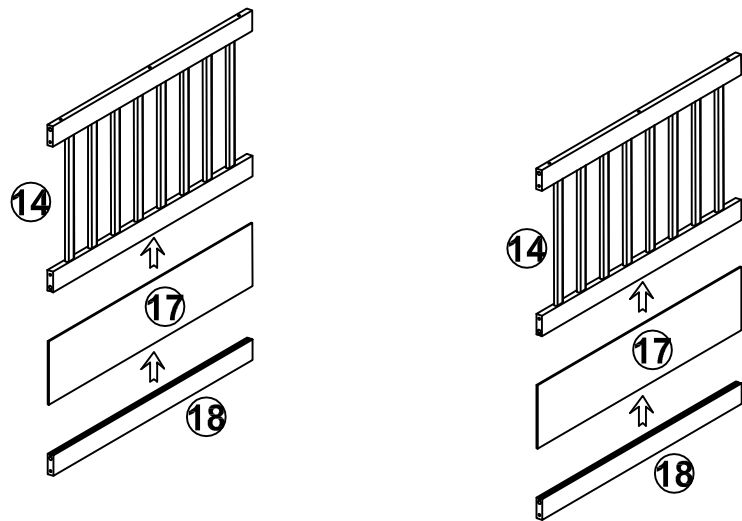
# Hardware List

<b>A</b>  Ø10*30mm Wood dowel (56pcs)	<b>B</b>  Ø6*30mm Hex-Head screw (6pcs)	<b>C</b>  Ø6*50mm Hex-Head screw (22pcs)
<b>D</b>  Ø6*100mm Hex-Head screw (20pcs)	<b>E</b>  Ø1/4"*80mm Hex-Head bolt (22pcs)	<b>F</b>  Ø1/4"*65mm Hex-Head bolt (2pcs)
<b>G</b>  Ø1/4"*30mm Hex-Head bolt (2pcs)	<b>H</b>  Ø1/4" Nut (2pcs)	<b>J</b>  Ø1/4" Horizontal-Hole bolt (24pcs)
<b>K</b>  K4mm Allen key (1pc)	<b>L</b>  #4*30mm Screw (50pcs)	<b>M</b>  Ø26mm Caster (8pcs)
<b>Q</b>  Hook (4pcs)	<b>R</b>  90*17*2mm Foam stick (4pcs)	<b>P</b>  #3.5*15mm Screw (20pcs)
<b>T</b>  Ø10*90mm Metal dowel (4pcs)	<b>U</b>  #4*20mm Screw (12pcs)	

### Step 1:

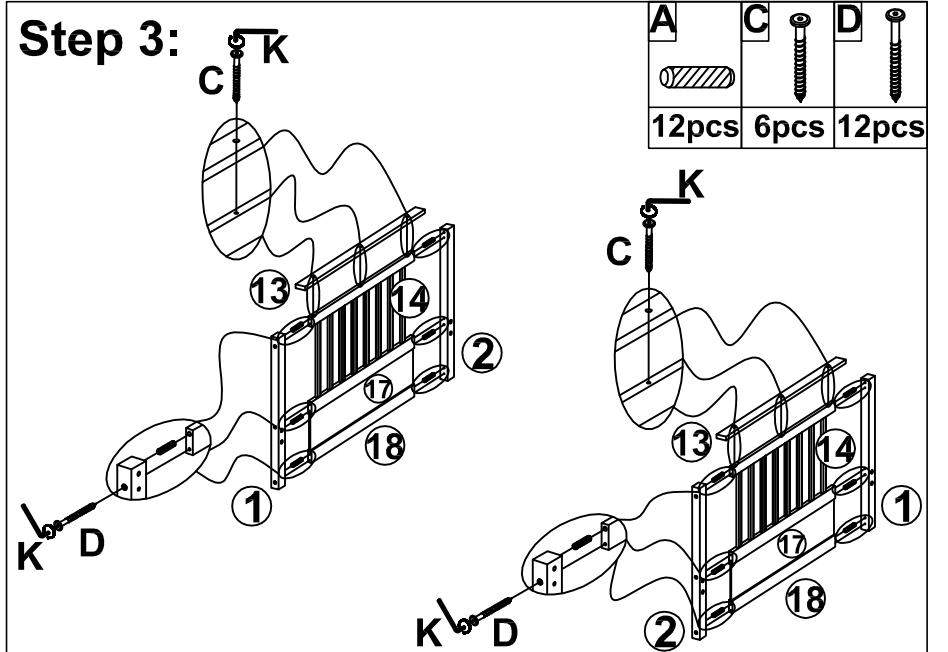


### Step 2:

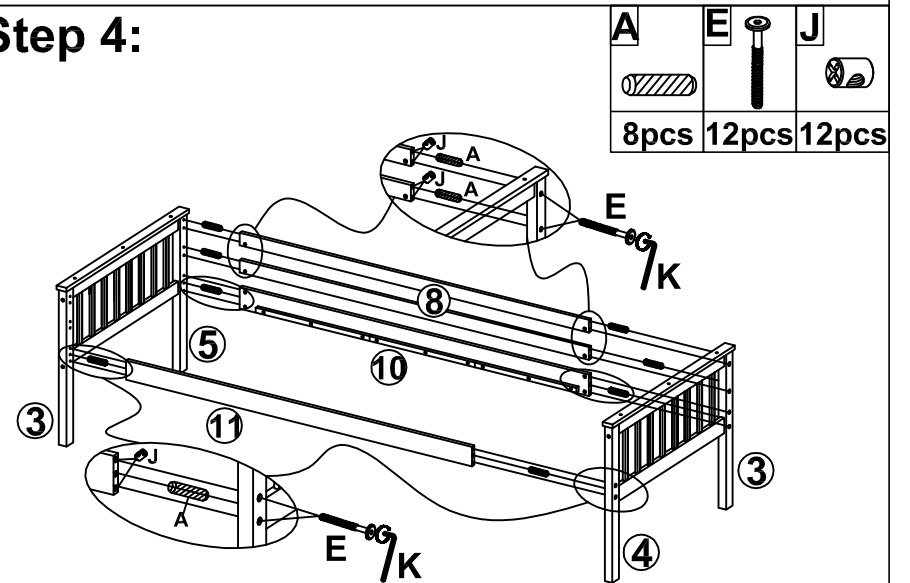


7

### Step 3:






### Step 4:

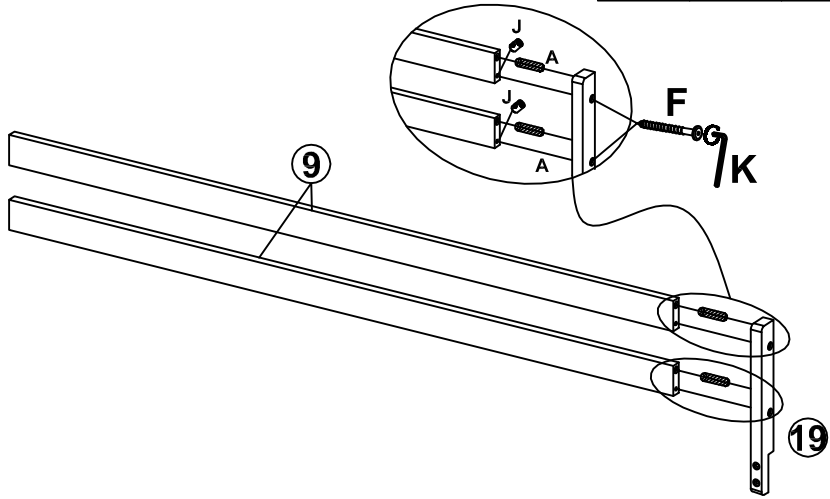


**ATTENTION: PLEASE DON'T TIGHTEN ALL BOLTS IN THIS STEP, JUST TIGHTEN 80%**






8

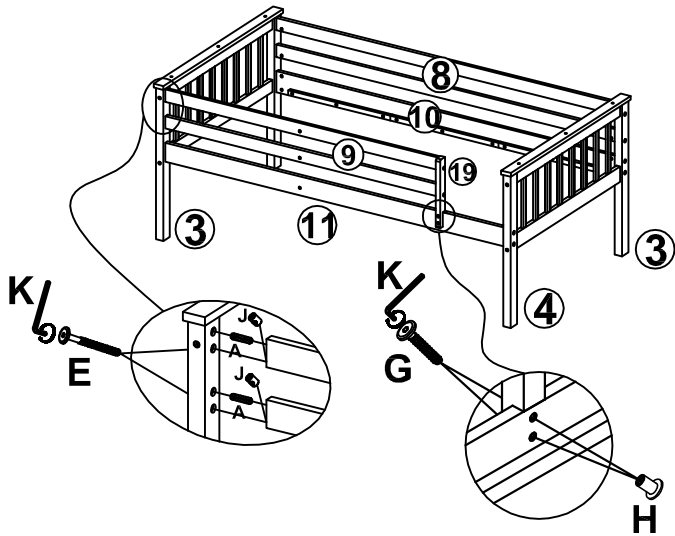
### Step 5:

<b>J</b> 	<b>A</b> 	<b>F</b> 
2pcs	2pcs	2pcs




### Step 6:

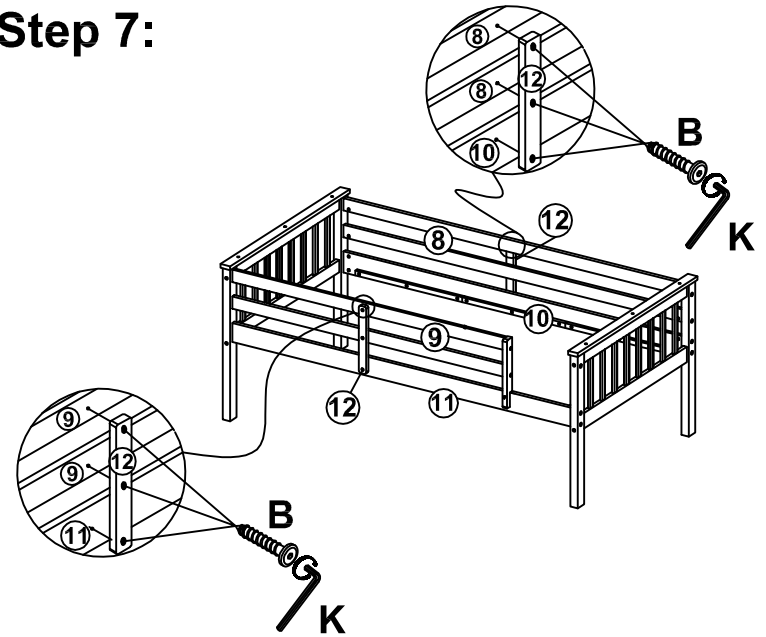
<b>A</b> 	<b>E</b> 
2pcs	2pcs
<b>G</b> 	<b>H</b> 
2pcs	2pcs
<b>J</b> 	
2pcs	






9

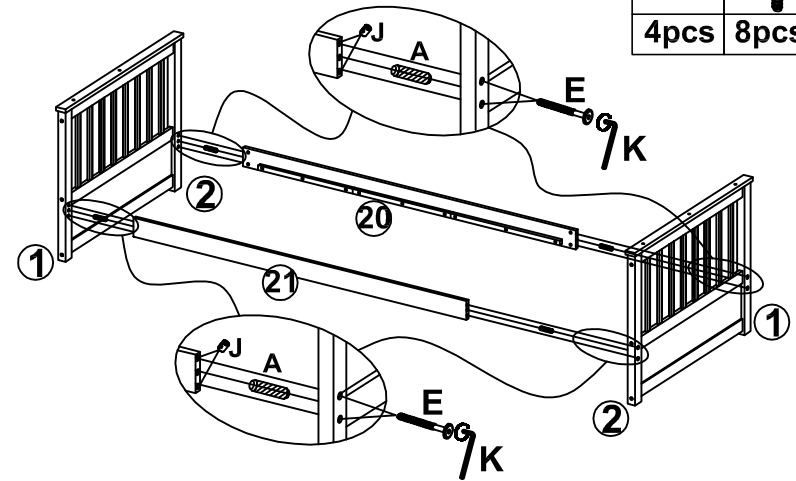
### Step 7:

<b>B</b> 
6pcs



### Step 8:

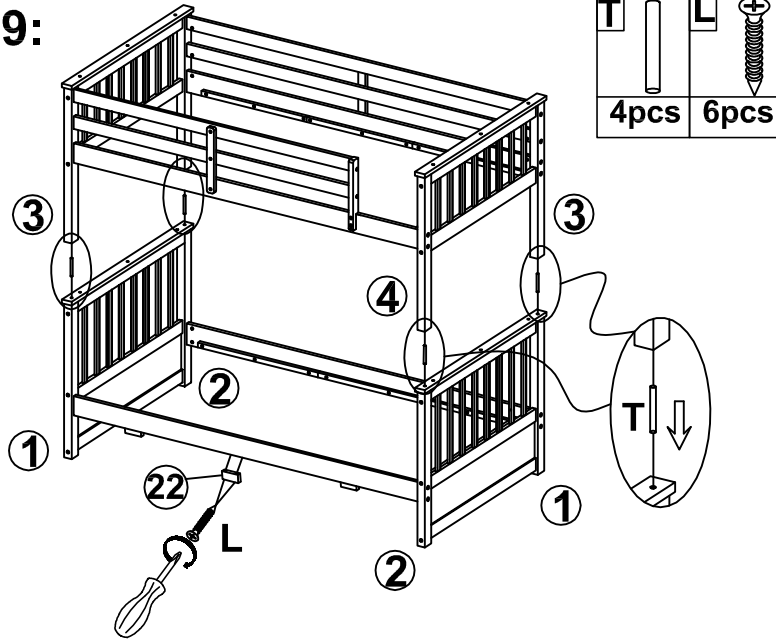
<b>A</b> 	<b>E</b> 	<b>J</b> 
4pcs	8pcs	8pcs



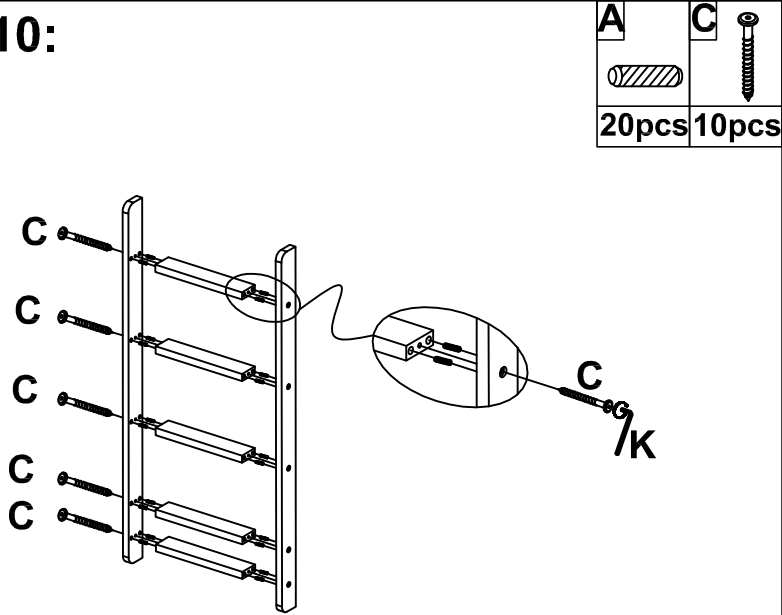
**ATTENTION: PLEASE DON'T TIGHTEN ALL BOLTS IN THIS STEP, JUST TIGHTEN 80%**

10

### Step 9:

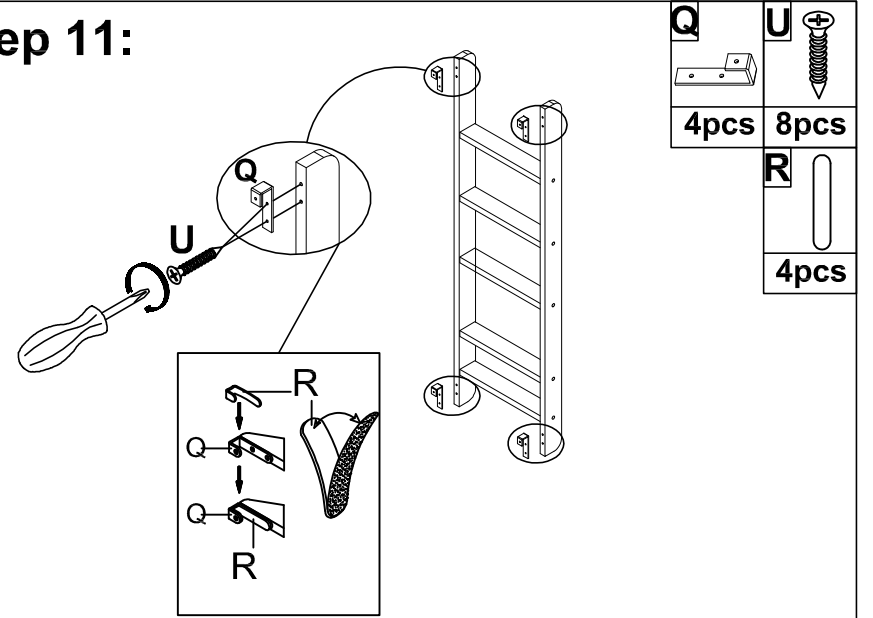


### Step 10:

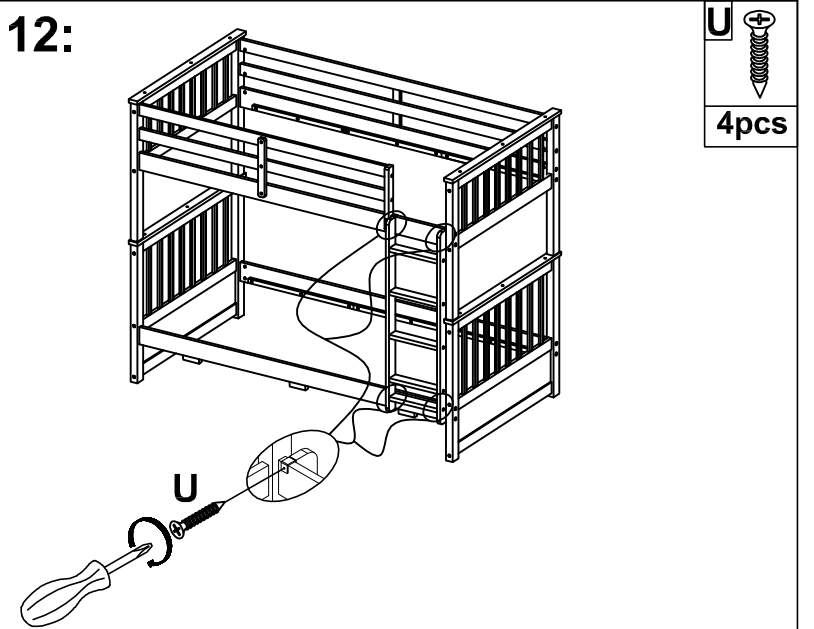


11

### Step 11:

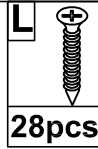


### Step 12:



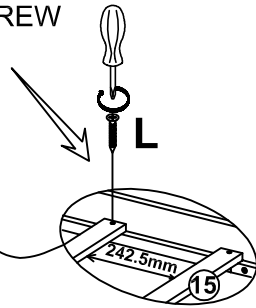
12

### Step 13:

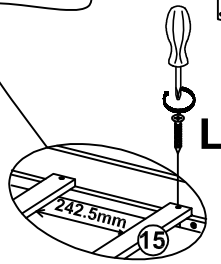


STEP 1: PULL SIDE RAIL CLOSE TOGETHER ENOUGH TO FIT THE SLATS

STEP 2: SCREW ALL SLATS

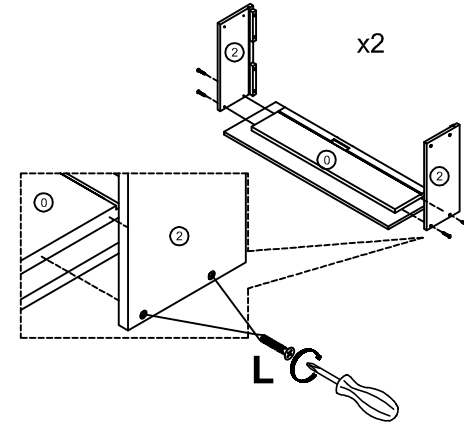
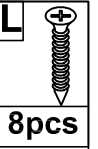


STEP 3: TIGHTEN 100% ALL HEXAGON BOLTS

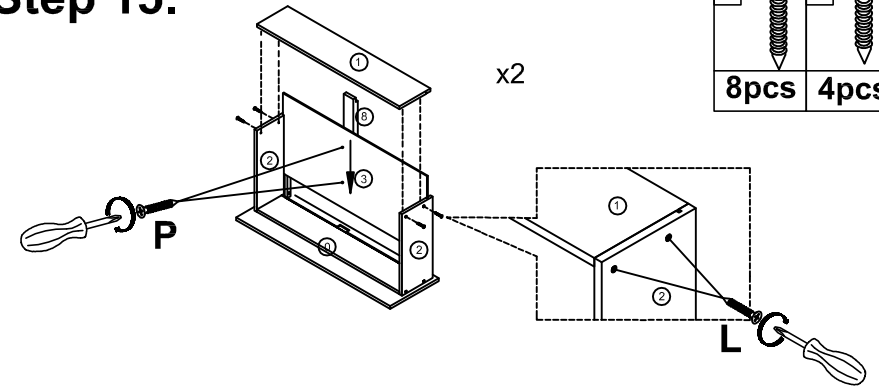
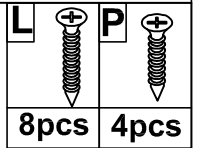


13

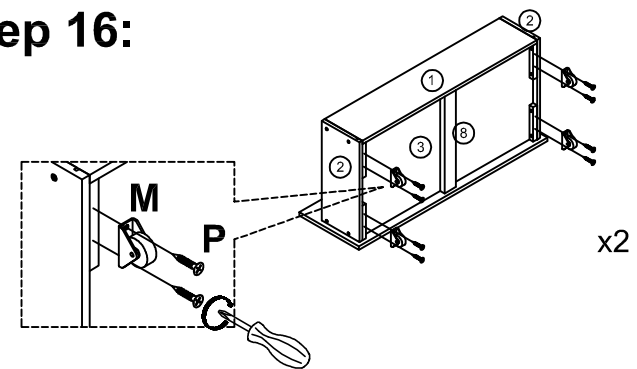
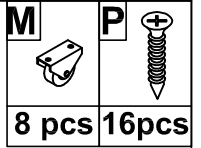
### Step 14:



### Step 15:

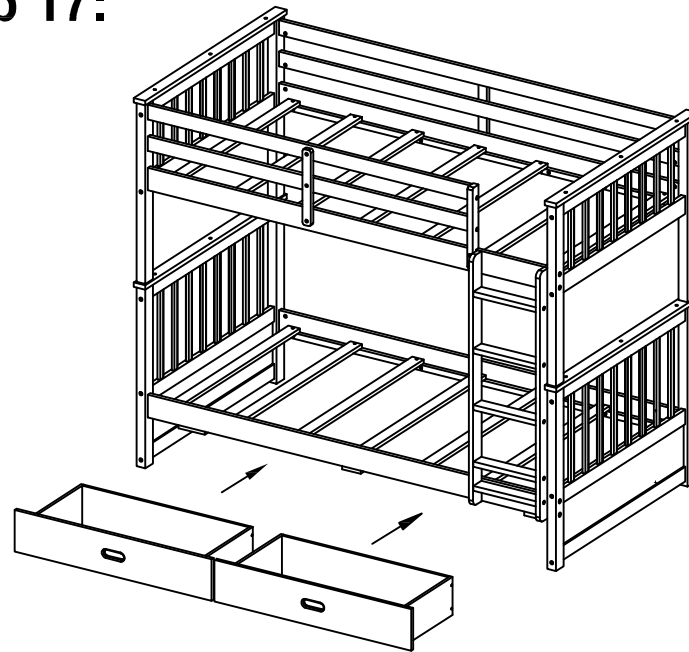


### Step 16:



14

**Step 17:**



**COMPLETED**

