

ASSEMBLY INSTRUCTION



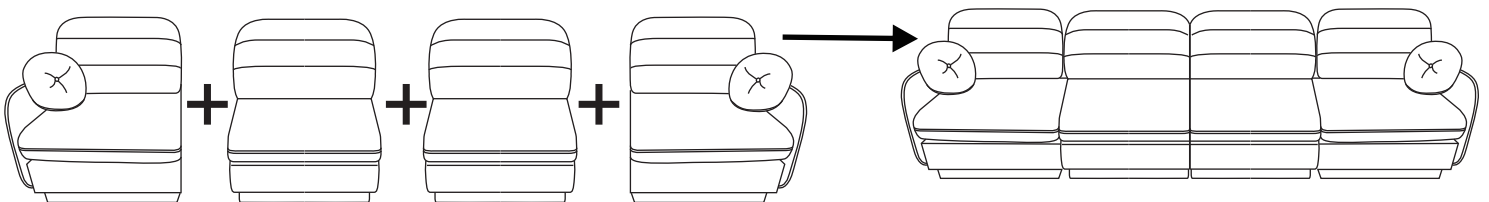
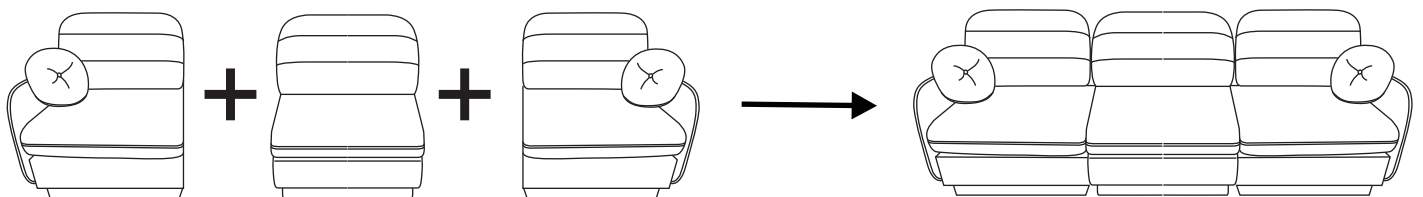
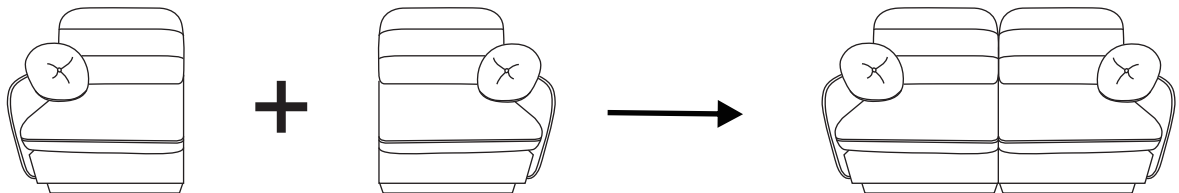
This instruction booklet contains important safety information. please read and keep for future reference.

This sofa collection works as modular sofa function, started as 2-seater sofa with left and right section, you can buy more components such as armless middle seat and ottoman to make it as 3-seater sofa, 4-seater sofa, L shape sectional, U shape sectional components to ensure all sofa section are well fit your living room area.

To ensure safe and satisfactory use of this product, please carefully read the below instructions before hand.

1. This sofa ships in several boxes, we recommend unpacking and starting assembly when several boxes are received.
2. Our cushions are vacuum packed for convenient shipping. Please allow 2-3 days for them to fully expand to their original shape and for any wrinkles to disappear.
3. In the event that a part is damaged or missing, no need to return the product, we will gladly help and ship your replacement parts free of charge.

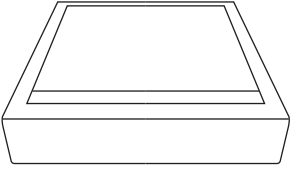
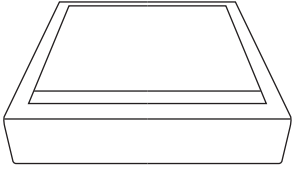
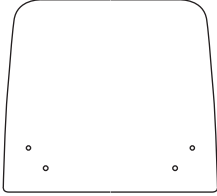
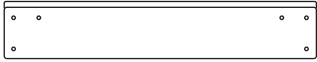

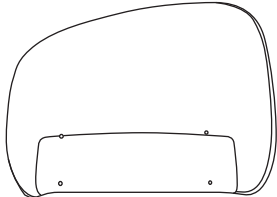
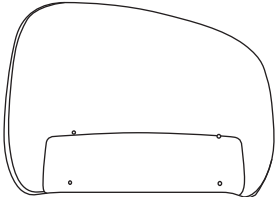
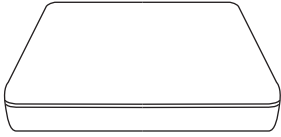
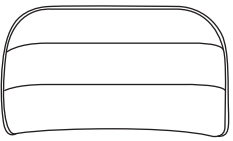
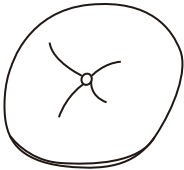
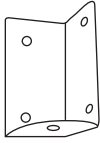
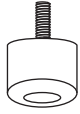
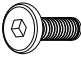
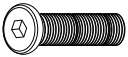



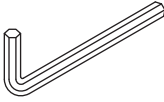
Below are some guidelines for you how you can do mix and match.



Assembly Instructions

IF YOU BUY 2 SEATER SOFA
please follow below assembly instruction

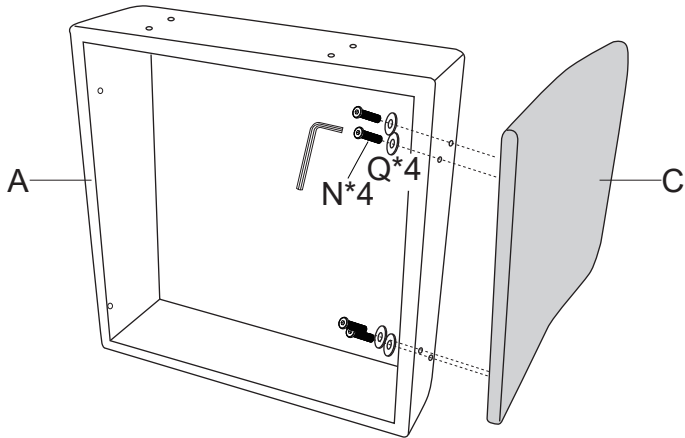
Parts List

<p>A</p>  <p>Right seat frame*1</p>	<p>B</p>  <p>Left seat frame*1</p>	<p>C</p>  <p>Backrest*2</p>	<p>D</p>  <p>Long panel*4</p>	
<p>E</p>  <p>Short panel*4</p>	<p>F</p>  <p>Right armrest*1</p>	<p>G</p>  <p>Left armrest*1</p>	<p>H</p>  <p>Seat Cushion*2</p>	
<p>I</p>  <p>Back cushion*2</p>	<p>J</p>  <p>Throw pillow*2</p>	<p>K</p>  <p>Connector*8</p>	<p>L</p>  <p>Leg*8</p>	<p>M</p>  <p>Bolt*32 M6*18mm</p>
<p>N</p>  <p>Bolt*8 M8*35mm</p>	<p>O</p>  <p>Bolt*8 M8*50mm</p>	<p>P</p>  <p>Bolt*8 M8*60mm</p>	<p>Q</p>  <p>Washer*24</p>	<p>R</p>  <p>Allen key*1</p>

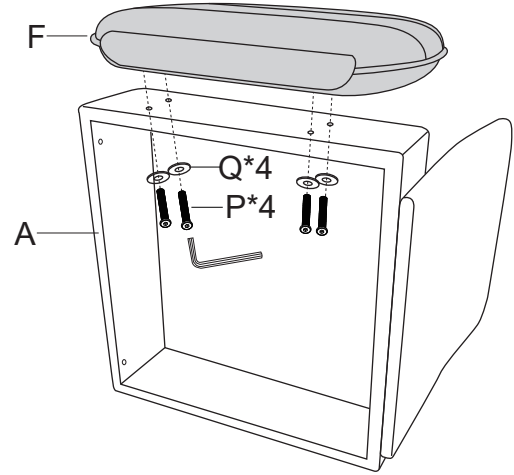
Note: Please retain all boxes until you are certain that your product isn't damaged and that you do not wish to return it. Disposal of boxes may prevent our ability to resolve your request.

STEP 1

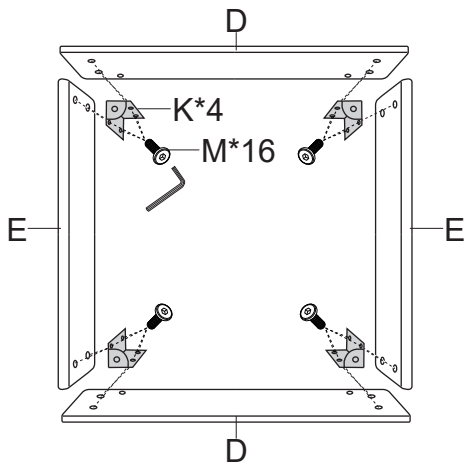
- ① Assemble the Backrest (C) to the Right seat frame (A) with Bolt(N) and Washer(Q).



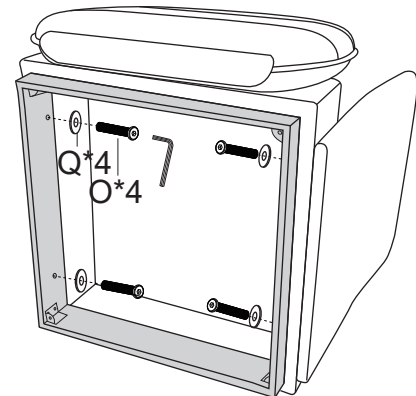
- ② Assemble the Right armrest (F) to the Right seat frame (A) with Bolt(P) and Washer(Q).



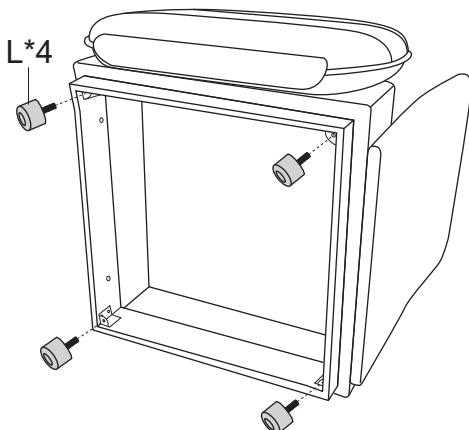
- ③ Assemble the Long panel(D) and Short panel(E) with Connector(K) and Bolt(M).



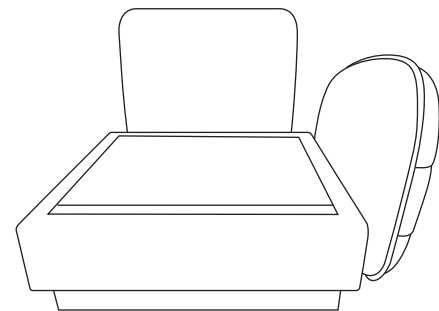
- ④ Install the frame to the bottom of the Right seat frame (A) with Bolt (O) and Washer(Q).



- ⑤ Assemble the Leg(L) to the sofa frame.

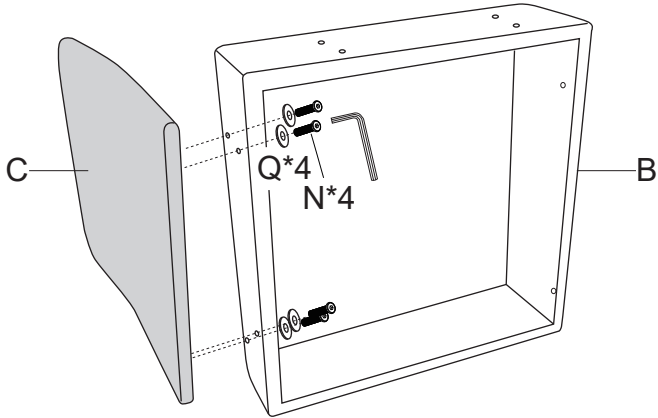


- ⑥ The right side facing sofa is completed.

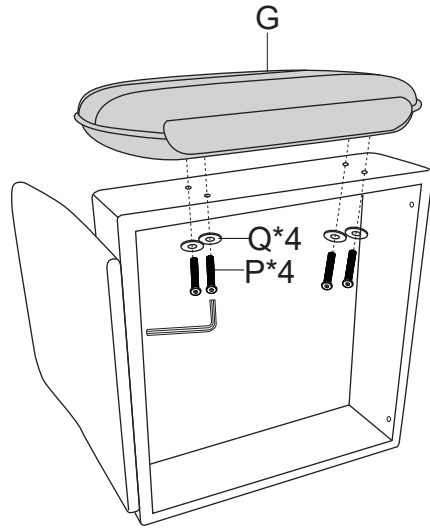


STEP 2

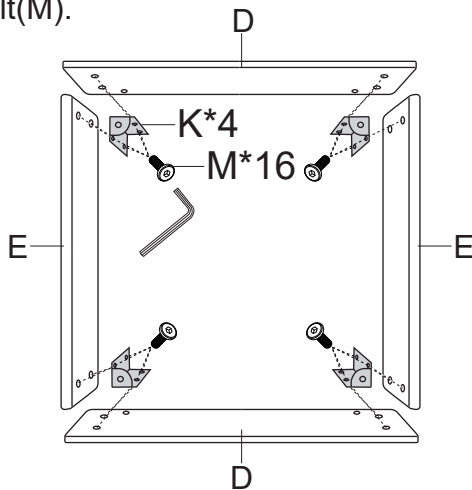
- 7 Assemble the Backrest (C) to the Left seat frame (B) with Bolt(N) and Washer(Q).



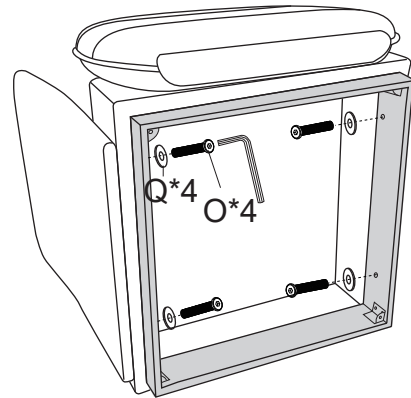
- 8 Assemble the Left armrest (G) to the Left seat frame (B) with Bolt(P) and Washer(Q).



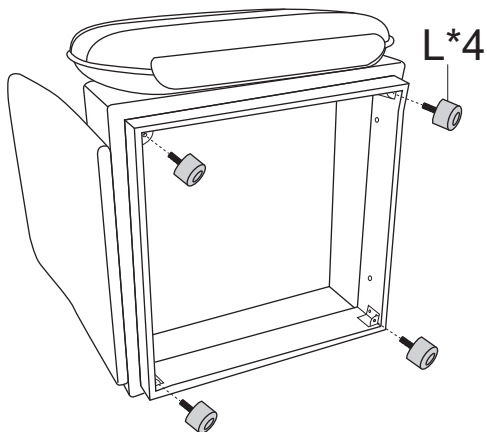
- 9 Assemble the Long panel(D) and Short panel(E) with Connector(K) and Bolt(M).



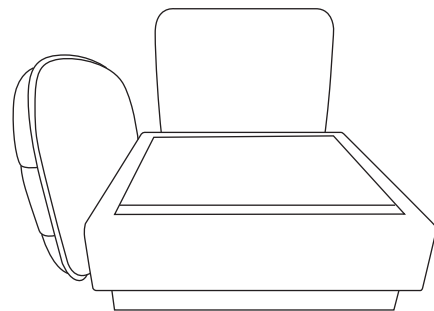
- 10 Install the frame to the bottom of the Left seat frame (B) with Bolt (O) and Washer(Q).



- 11 Assemble the Leg(L) to the sofa frame.

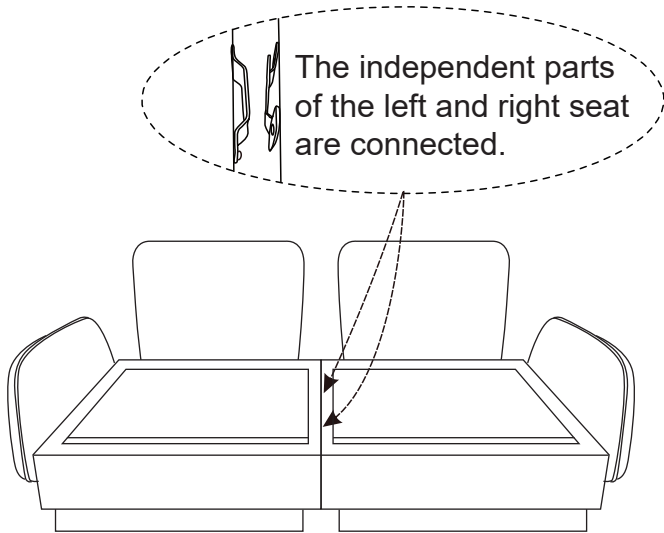


- 12 The left side facing sofa is completed.

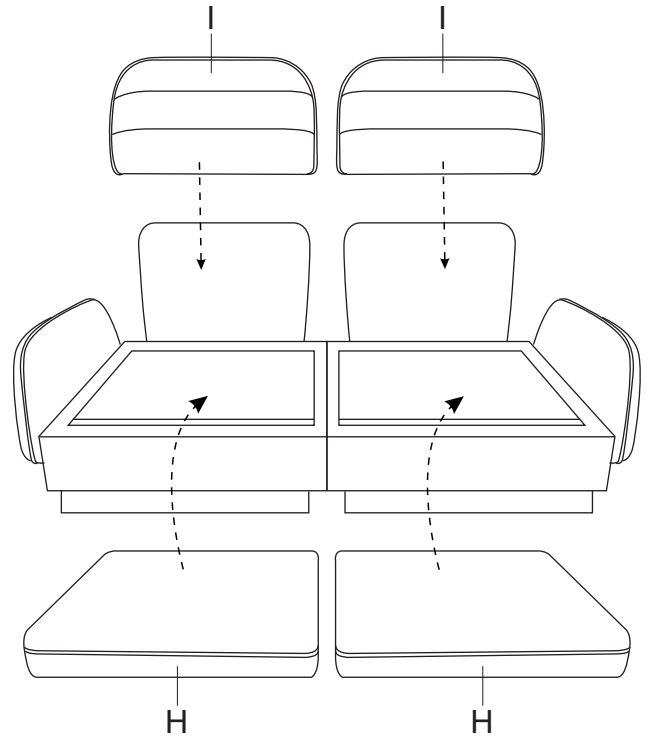


STEP 3

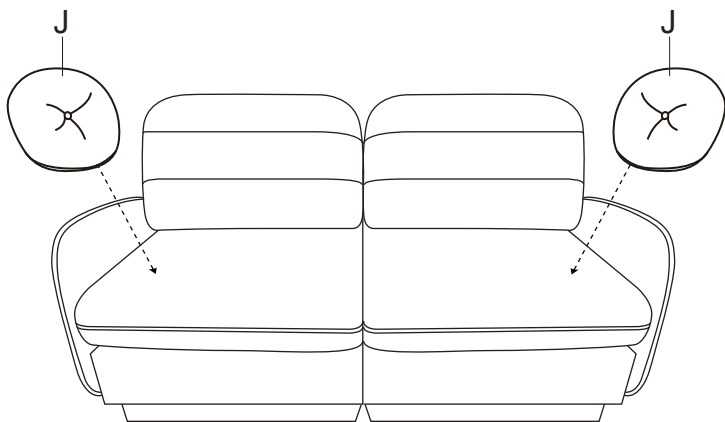
13 Insert the two mounts together.



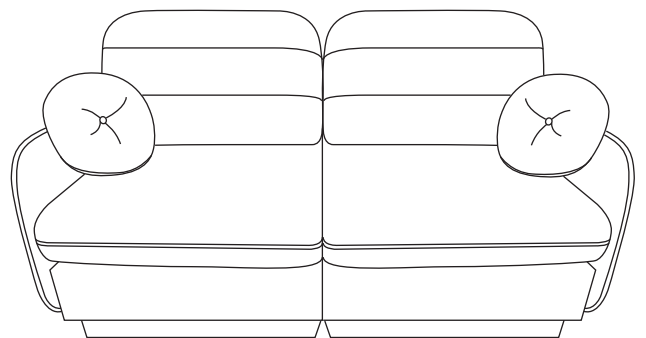
14 Put Back cushion(I) and Seat cushion (H) to the sofa.



15 Put Throw pillow(J) to the sofa.



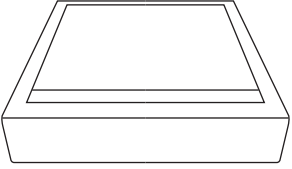
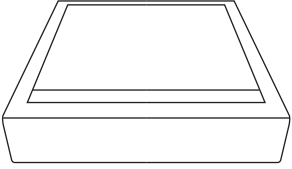
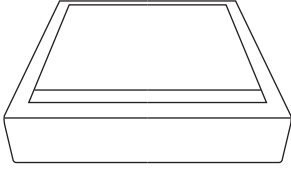
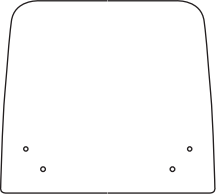
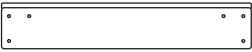
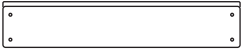
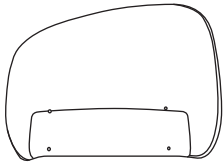
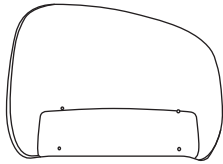
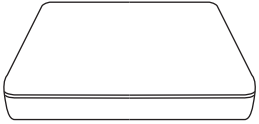
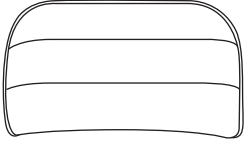
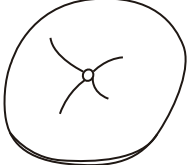
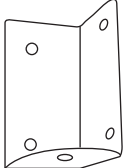
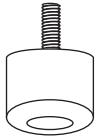
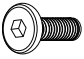
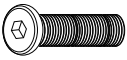

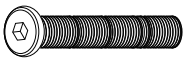

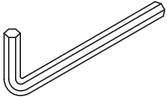
16 Completed.



Assembly Instructions

IF YOU BUY 3 SEATER SOFA
 please follow below assembly instruction

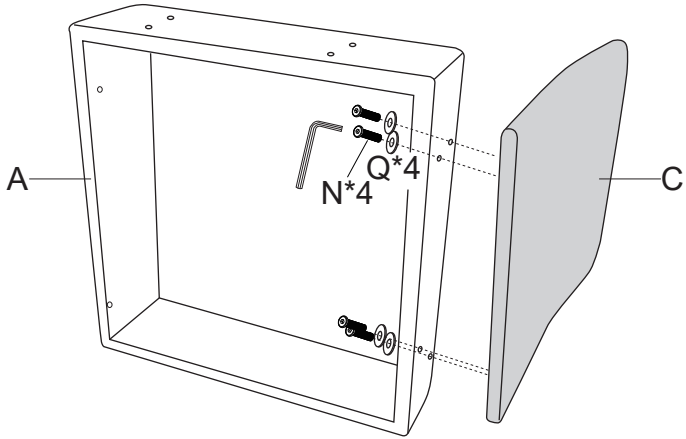
Parts List

<p>A</p>  <p>Right seat frame*1</p>	<p>B</p>  <p>Left seat frame*1</p>	<p>S</p>  <p>Middle seat frame*1</p>	<p>C</p>  <p>Backrest *3</p>	
<p>D</p>  <p>Long panel*6</p>	<p>E</p>  <p>Short panel*6</p>	<p>F</p>  <p>Right armrest*1</p>	<p>G</p>  <p>Left armrest*</p>	<p>H</p>  <p>Seat Cushion*3</p>
<p>I</p>  <p>Back cushion*3</p>	<p>J</p>  <p>Throw pillow*2</p>	<p>K</p>  <p>Connector*12</p>	<p>L</p>  <p>Leg*12</p>	<p>M</p>  <p>Bolt*48 M6*18mm</p>
<p>N</p>  <p>Bolt*12 M8*35mm</p>	<p>O</p>  <p>Bolt*12 M8*50mm</p>	<p>P</p>  <p>Bolt*8 M8*60mm</p>	<p>Q</p>  <p>Washer*32</p>	<p>R</p>  <p>Allen key*1</p>

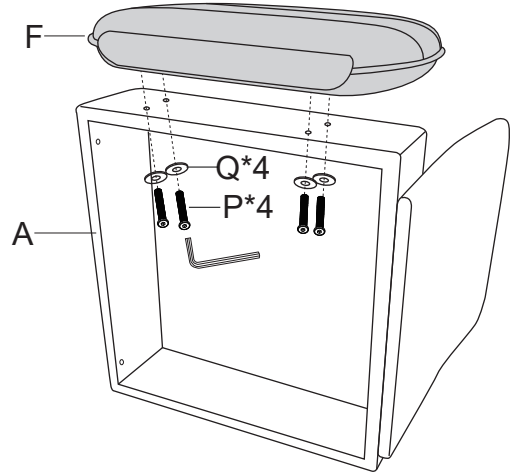
Note: Please retain all boxes until you are certain that your product isn't damaged and that you do not wish to return it. Disposal of boxes may prevent our ability to resolve your request.

STEP 1

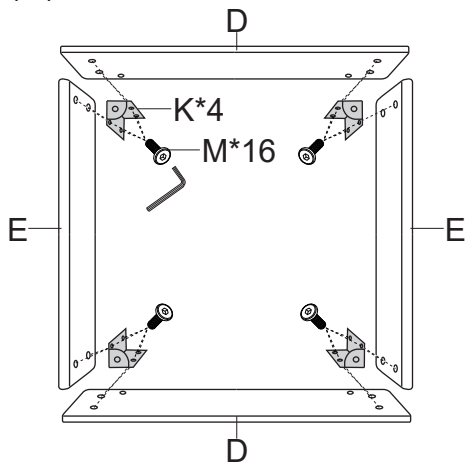
- ① Assemble the Backrest (C) to the Right seat frame (A) with Bolt (N) and Washer(Q).



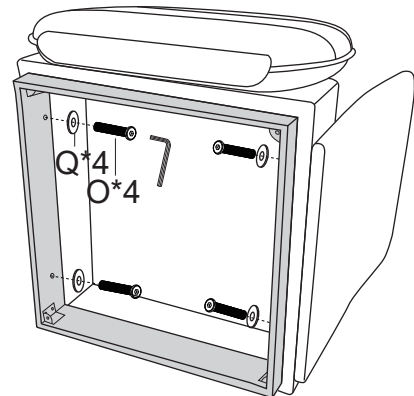
- ② Assemble the Right armrest (F) to the Right seat frame (A) with Bolt (P) and Washer(Q).



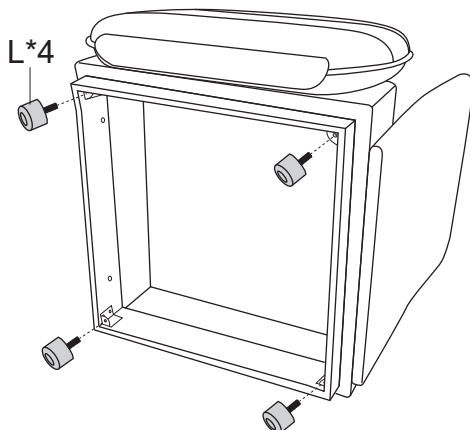
- ③ Assemble the Long panel(D) and Short panel(E) with Connector(K) and Bolt(M).



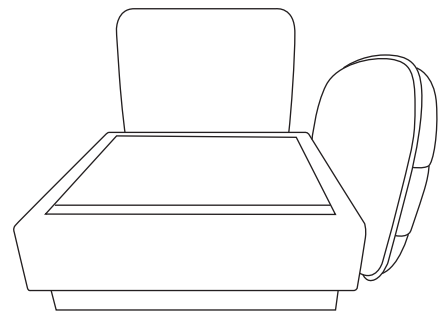
- ④ Install the frame to the bottom of the Right seat frame (A) with Bolt (O) and Washer(Q).



- ⑤ Assemble the Leg(L) to the sofa frame.

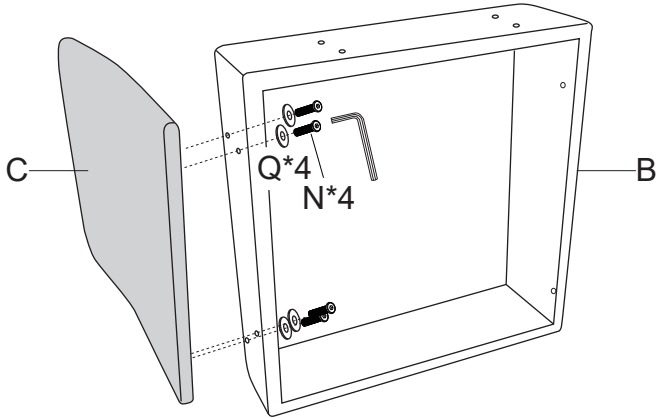


- ⑥ The right side facing sofa is completed.

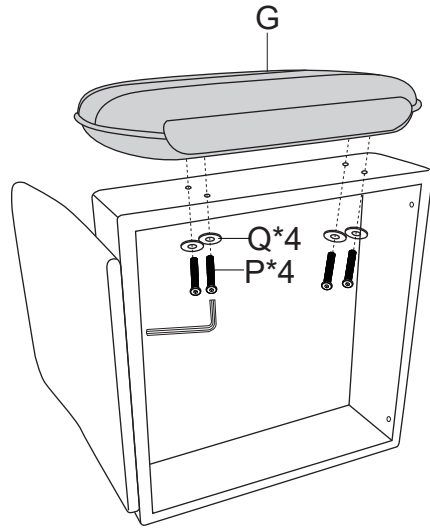


STEP 2

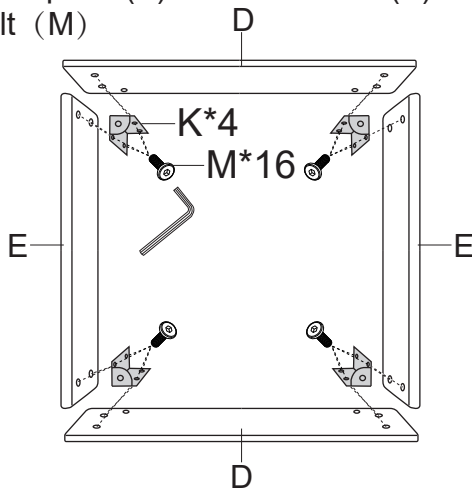
- 7 Assemble the Backrest (C) to the Left seat frame (B) with Bolt(N) and Washer(Q).



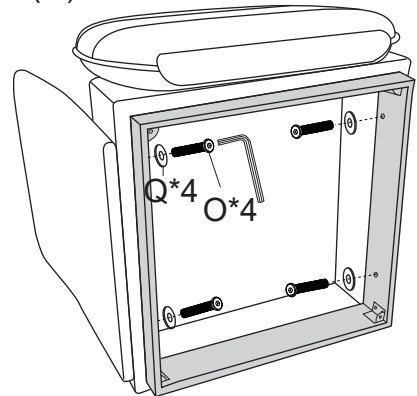
- 8 Assemble the Left armrest (G) to the Left seat frame (B) with Bolt(P) and Washer(Q).



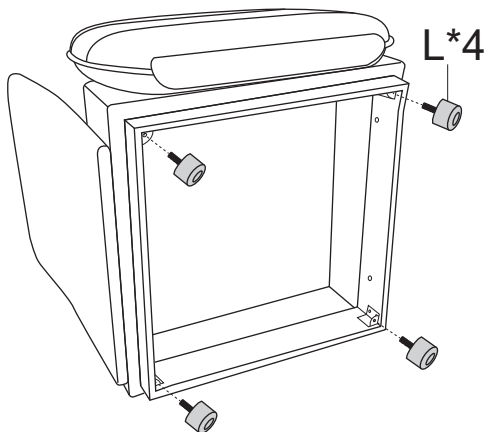
- 9 Assemble the Long panel(D) and Short panel(E) with Connector(K) and Bolt (M)



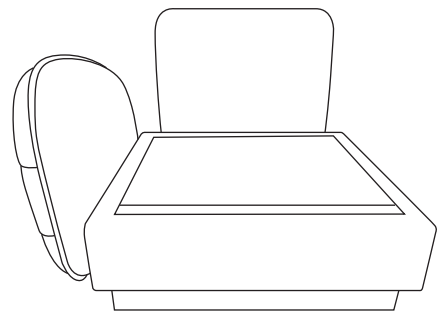
- 10 Install the frame to the bottom of the Left seat frame (B) with Bolt (O) and Washer(Q).



- 11 Assemble the Leg(L) to the sofa frame.

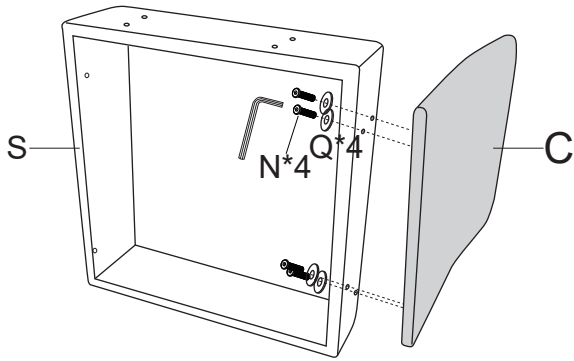


- 12 The left side facing sofa is completed.

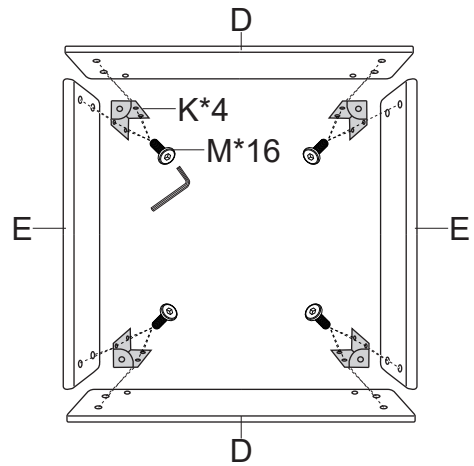


STEP 3

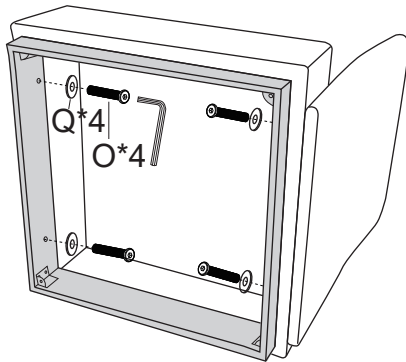
- 13 Assemble the Backrest (C) to the Middle seat frame (S) with Bolt(N) and Washer(Q).



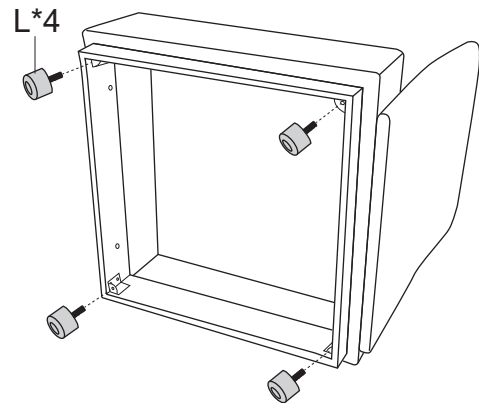
- 14 Assemble the Long panel(D) and Short panel(E) with Connector(K) and Bolt (M)



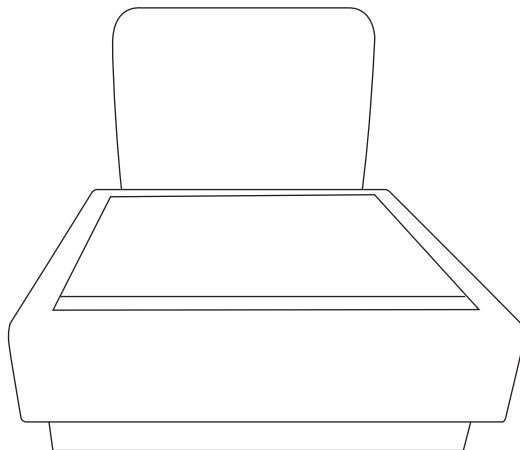
- 15 Install the frame to the bottom of the Middle seat frame (S) with Bolt (O) and Washer(Q).



- 16 Assemble the Leg(L) to the sofa frame.

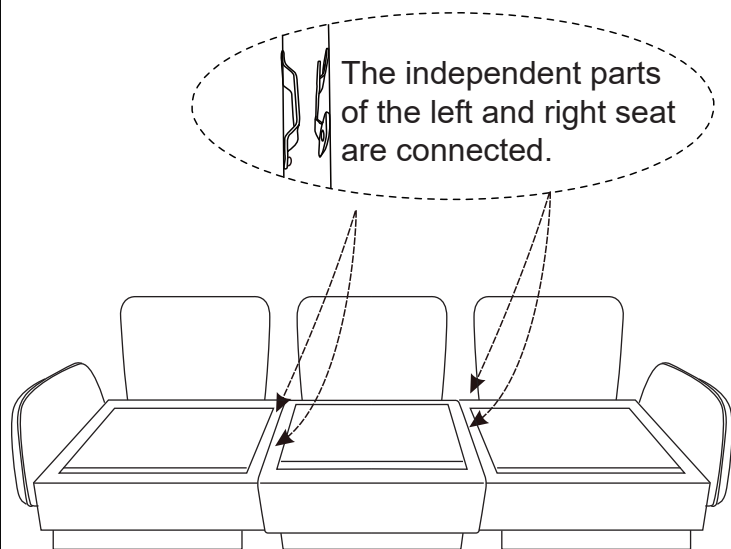


- 17 The Middle armless sofa is completed.

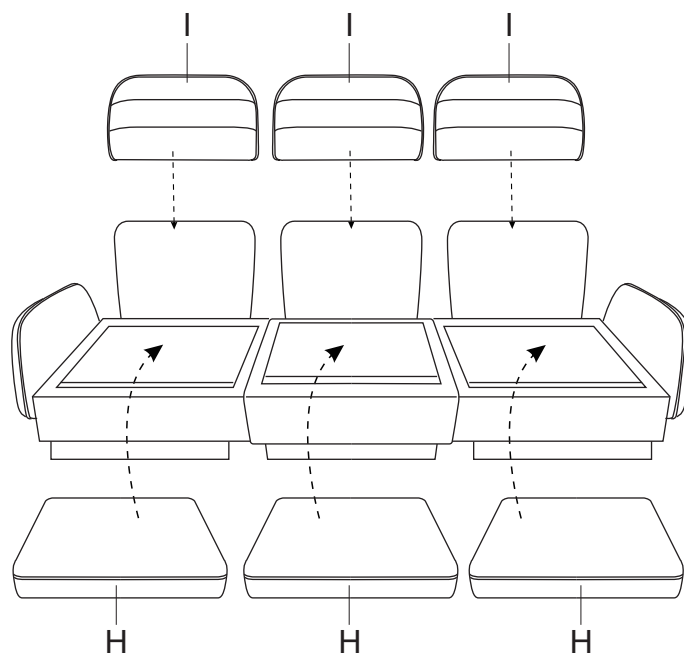


STEP 4

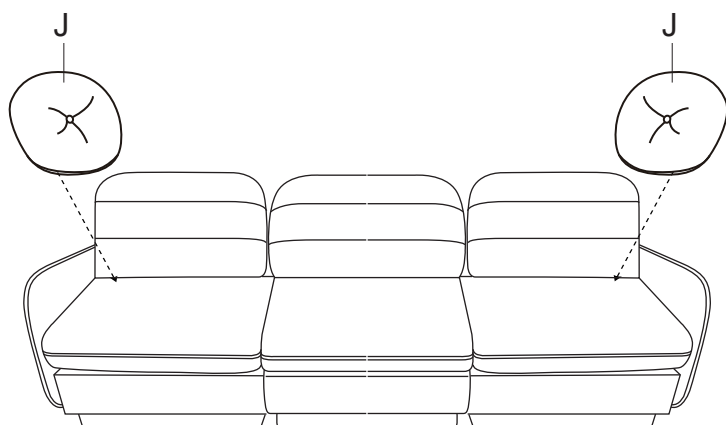
18 Insert the three mounts together.



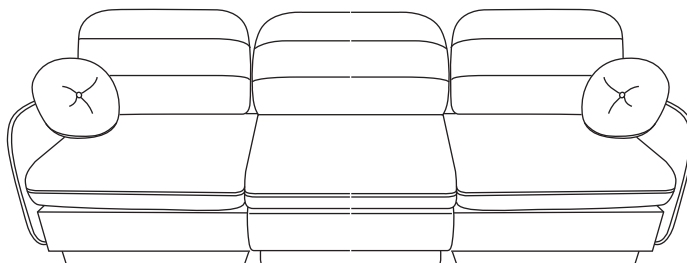
19 Put Back cushion(I) and Seat cushion(H) to the sofa.



20 Put Throw pillow(J) to the sofa.



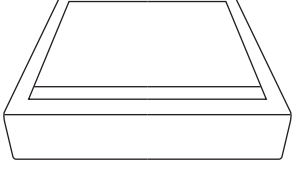
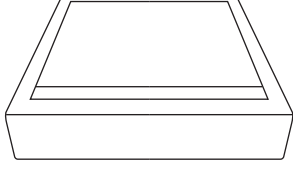
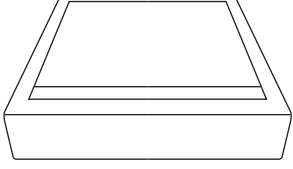
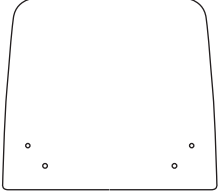
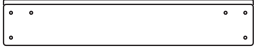

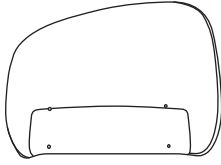
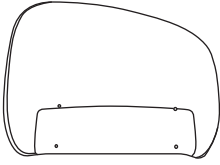
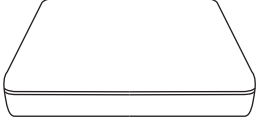
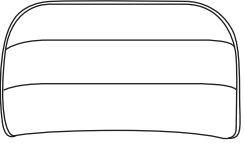
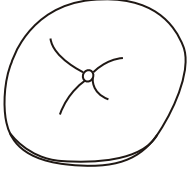
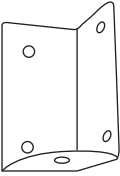
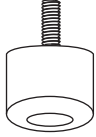
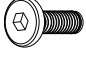
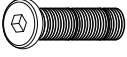
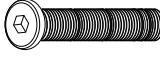


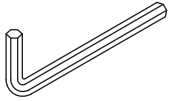
21 Completed.



Assembly Instructions

IF YOU BUY 4 SEATER SOFA
please follow below assembly instruction

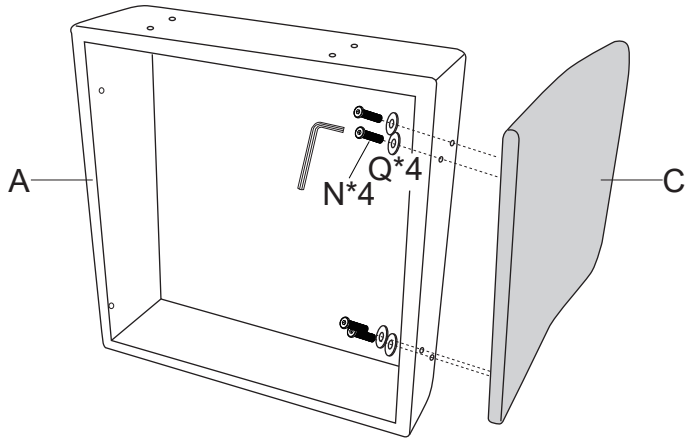
Parts List

<p>A</p>  <p>Right seat frame*1</p>	<p>B</p>  <p>Left seat frame*1</p>	<p>S</p>  <p>Middle seat frame*2</p>	<p>C</p>  <p>Backrest *4</p>	
<p>D</p>  <p>Long panel*8</p>	<p>E</p>  <p>Short panel*8</p>	<p>F</p>  <p>Right armrest*1</p>	<p>G</p>  <p>Left armrest*1</p>	<p>H</p>  <p>Seat Cushion*4</p>
<p>I</p>  <p>Back cushion*4</p>	<p>J</p>  <p>Throw pillow*2</p>	<p>K</p>  <p>Connector*16</p>	<p>L</p>  <p>Leg*16</p>	<p>M</p>  <p>Bolt*64 M6*18mm</p>
<p>N</p>  <p>Bolt*16 M8*35mm</p>	<p>O</p>  <p>Bolt*16 M8*50mm</p>	<p>P</p>  <p>Bolt*8 M8*60mm</p>	<p>Q</p>  <p>Washer*40</p>	<p>R</p>  <p>Allen key*1</p>

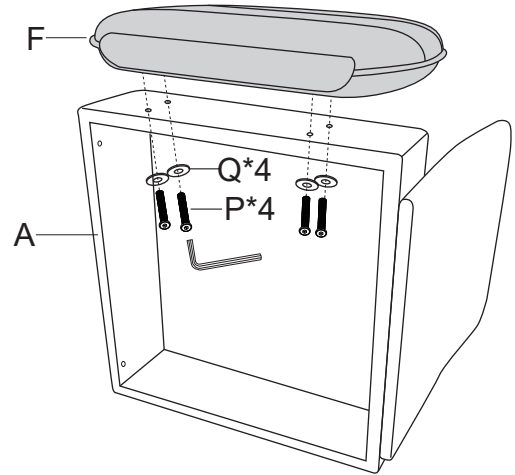
Note: Please retain all boxes until you are certain that your product isn't damaged and that you do not wish to return it. Disposal of boxes may prevent our ability to resolve your request.

STEP 1

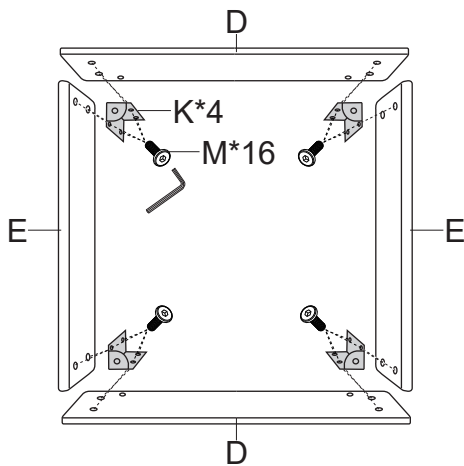
- ① Assemble the Backrest (C) to the Right seat frame (A) with Bolt(N) and Washer(Q).



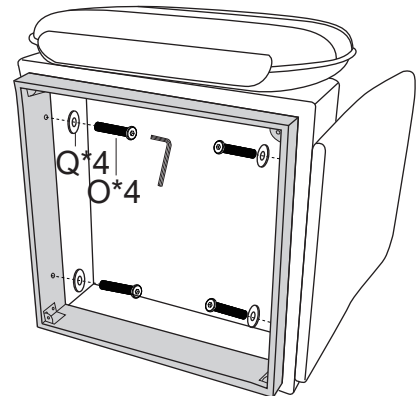
- ② Assemble the Right armrest (F) to the Right seat frame (A) with Bolt(P) and Washer(Q).



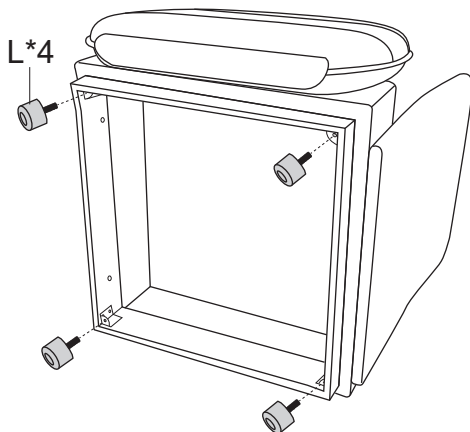
- ③ Assemble the Long panel(D) and Short panel(E) with Connector(K) and Bolt (M)



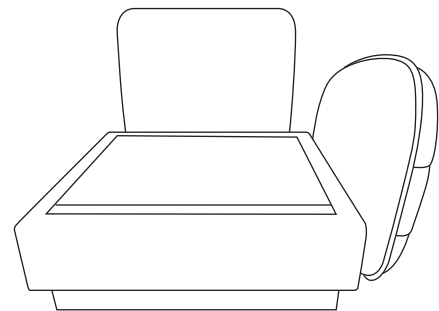
- ④ Install the frame to the bottom of the Right seat frame (A) with Bolt (O) and Washer(Q).



- ⑤ Assemble the Leg(L) to the sofa frame.

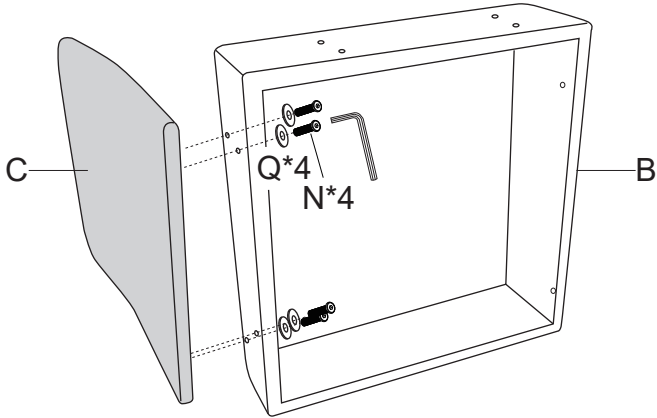


- ⑥ The right side facing sofa is completed.

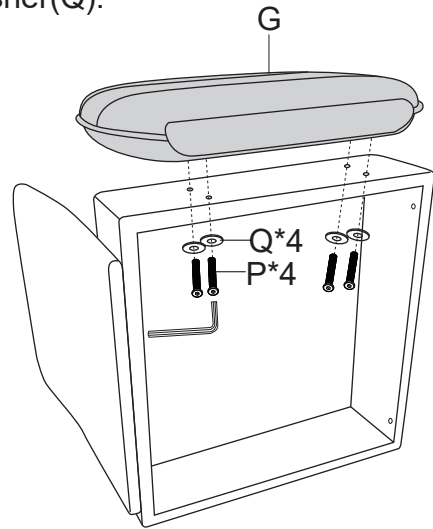


STEP 2

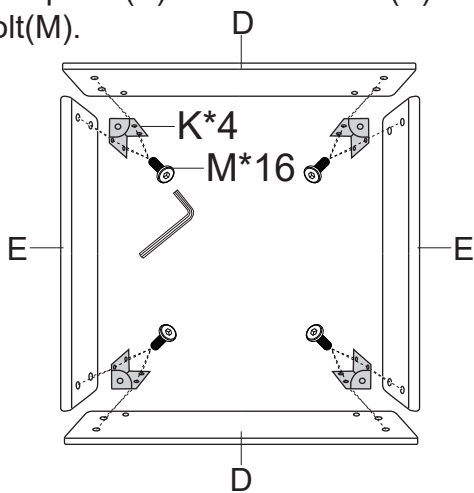
- 7 Assemble the Backrest (C) to the Left seat frame (B) with Bolt (N) and Washer(Q).



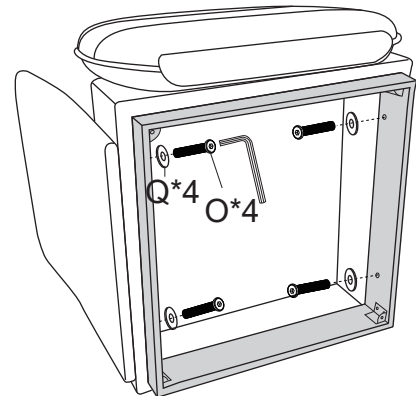
- 8 Assemble the Left armrest (G) to the Left seat frame (B) with Bolt (P) and Washer(Q).



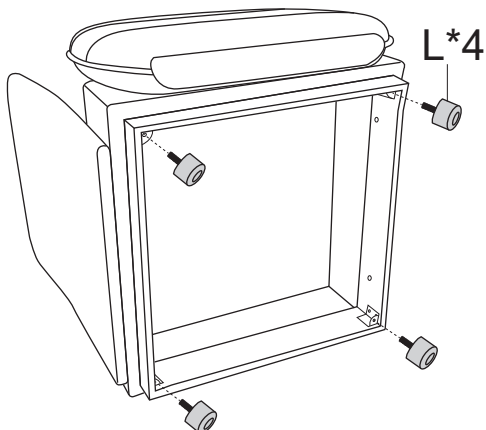
- 9 Assemble the Long panel(D) and Short panel(E) with Connector(K) and Bolt(M).



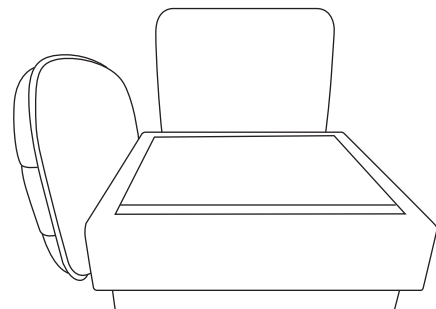
- 10 Install the frame to the bottom of the Left seat frame (B) with Bolt (O) and Washer(Q).



- 11 Assemble the Leg(L) to the sofa frame.

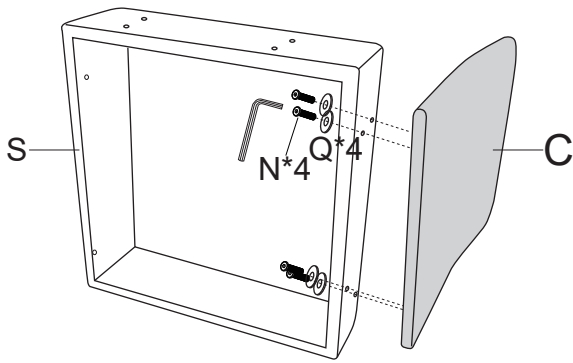


- 12 The left side facing sofa is completed.

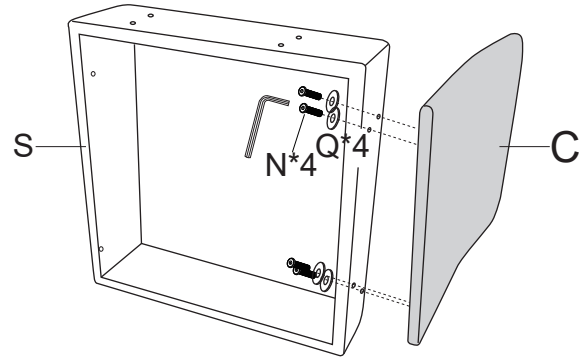


STEP 3

- 13 Assemble the Backrest (C) to the Middle seat frame (S) with Bolt(N) and Washer(Q).

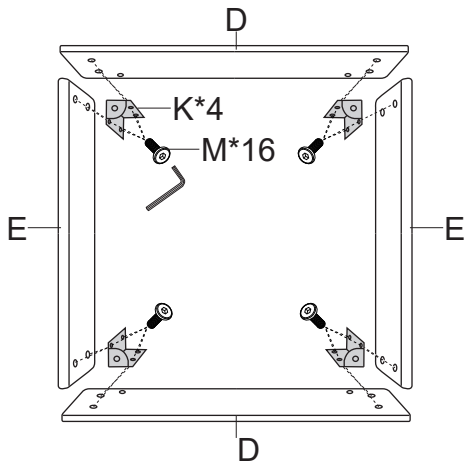


Middle seat frame 1

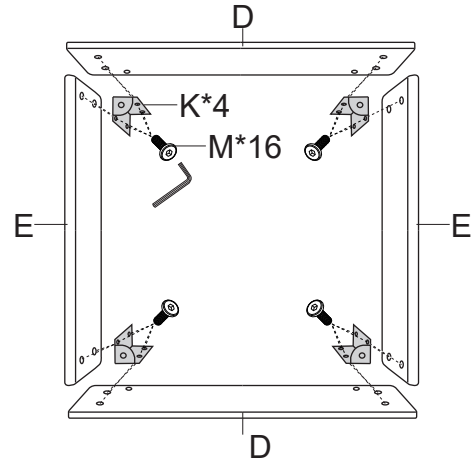


Middle seat frame 2

- 14 Assemble the Long panel(D) and Short panel(E) with Connector(K) and Bolt (M)

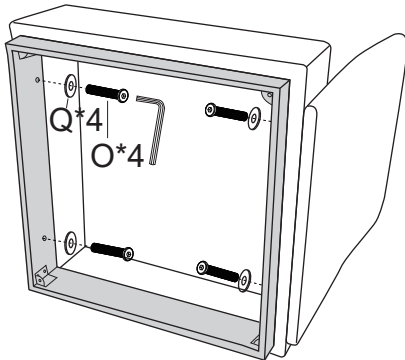


Frame 1

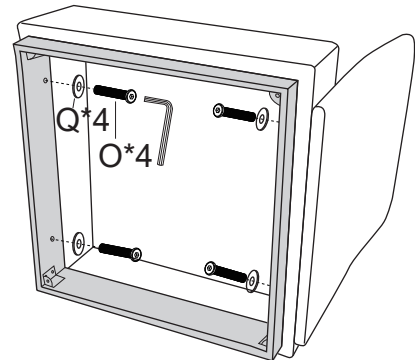


Frame 2

- 15 Install the frame to the bottom of the Middle seat frame (S) with Bolt (O) and Washer(Q).



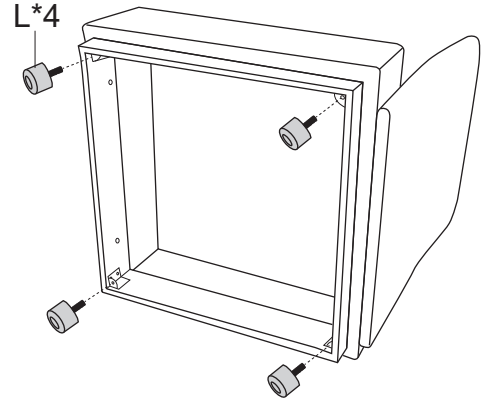
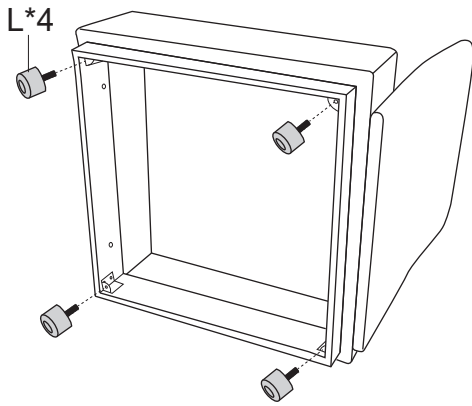
Middle sofa frame 1



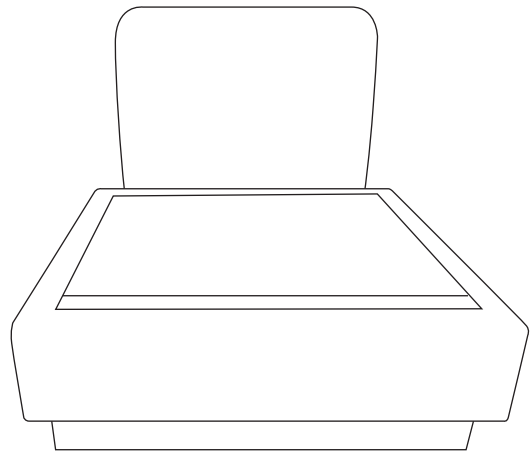
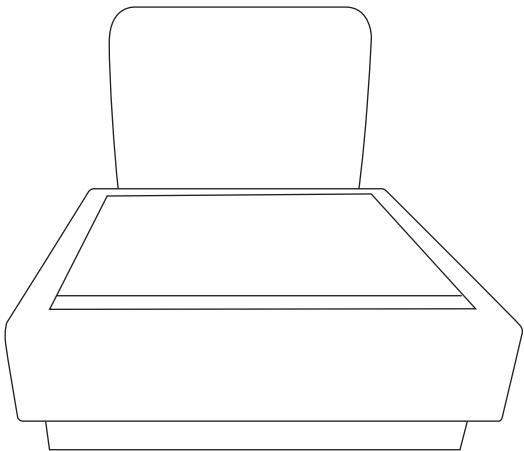
Middle sofa frame 2

STEP 4

①⑥ Assemble the Leg(L) to the sofa frame.

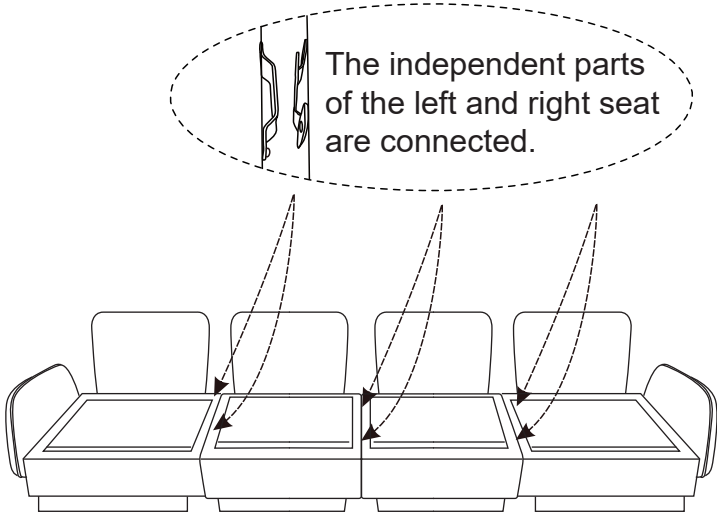


①⑦ The Middle armless sofa is completed.

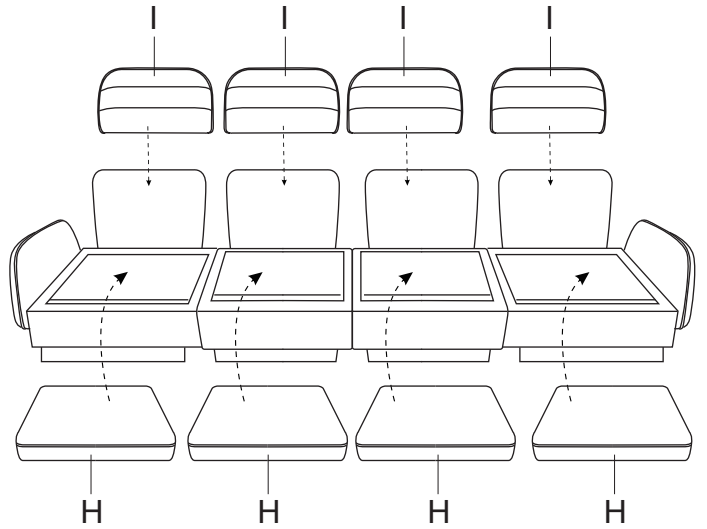


STEP 5

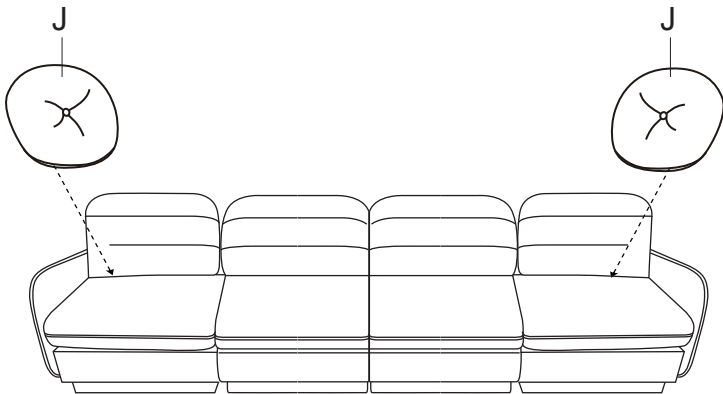
18 Insert the four mounts together.



19 Put Back cushion(I) and Seat cushion (H) to the sofa.



20 Put Throw pillow(J) to the sofa.



21 Completed.

