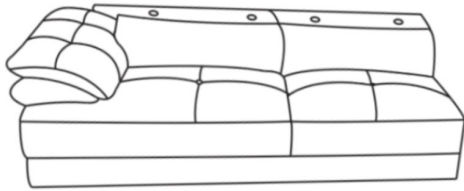
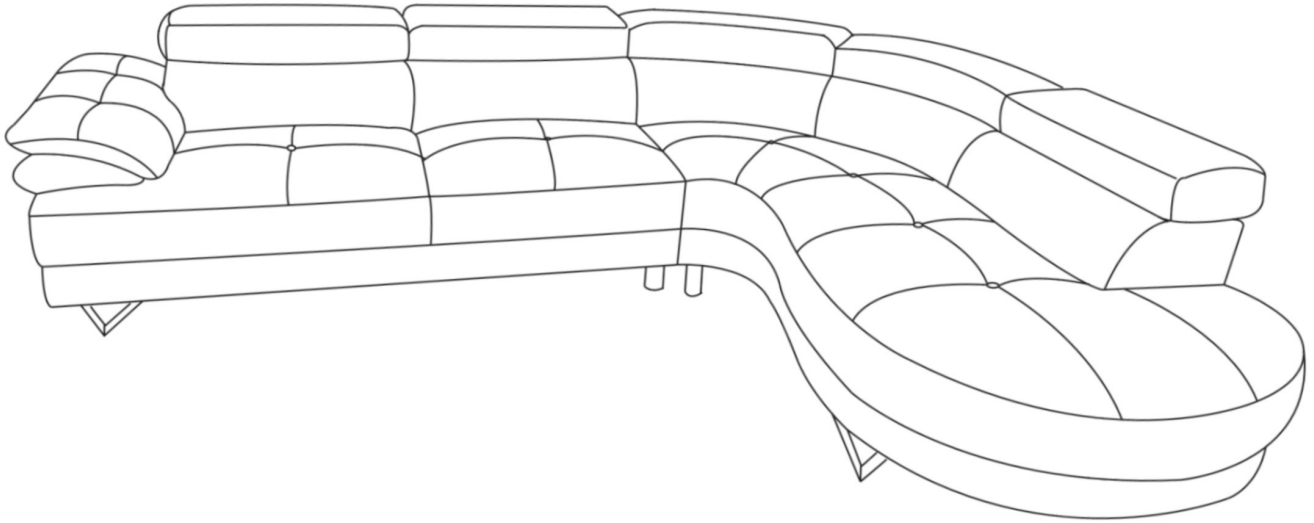
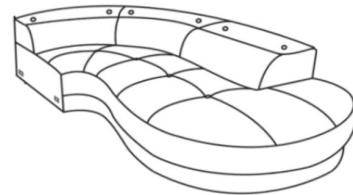


# Assembly Instructions



**A** BOX 2 - LAF SOFA



**B** BOX 1 - RAF CHAISE



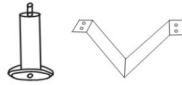
X3

**C**



X2

**D**



X7

X2

**E**



X2

**F**

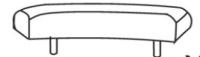


X8

**G**

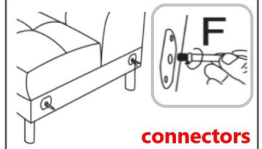
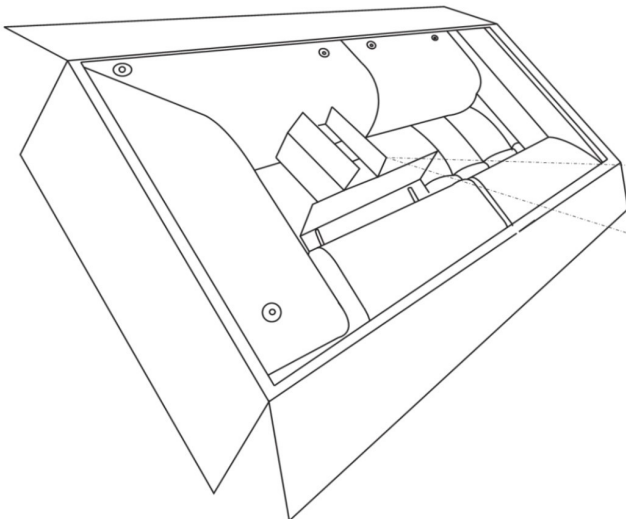


X4



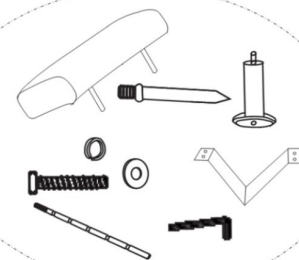
X2

**H**

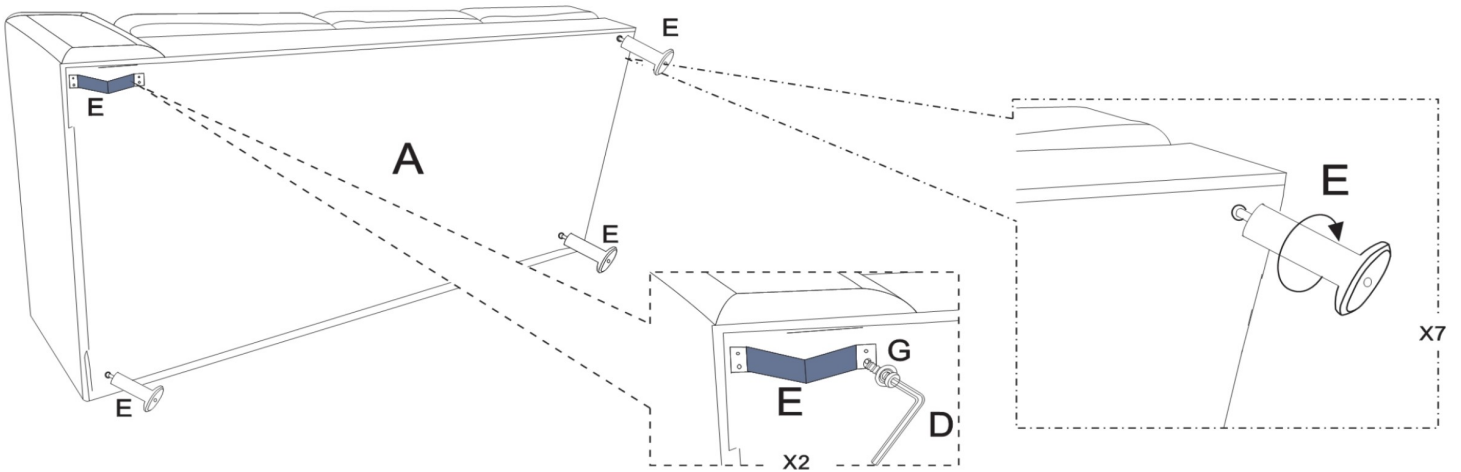


**F**

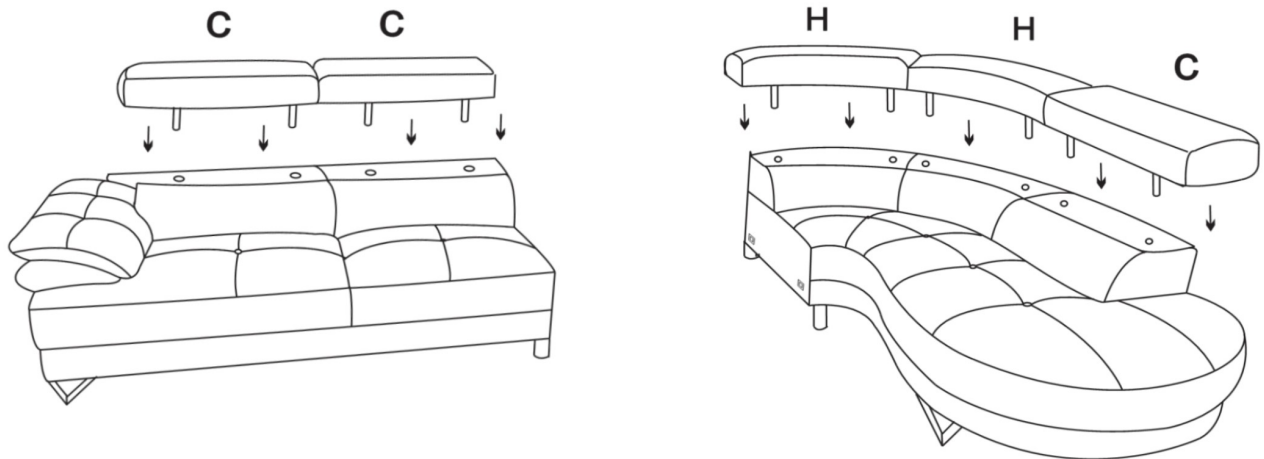
connectors



**Step 1: Assemble the leg (E) onto the seat frame(A & B) with 2pcs bolt (G) by Allen wrench (D)**

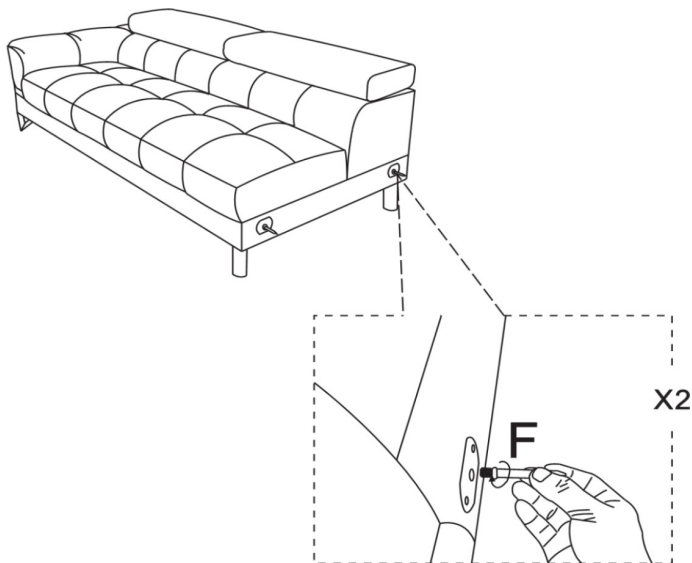


**Step 2: Insert headrest (C&H) into the backrest of sofa (A) & chaise (B).**



The adjustable headrest features different height positions. Make sure the headrest is fully pushed down onto the backrest perforations. To unlock the headrest upward position, slightly press it, and the mechanism will release it back to the down position.

**Step 3: Mount the connecting bolt (F) to sofa (A)**



**Step 4: Align the connecting bolt (F) with the assembling holes on chaise (B) to tighten sofa (A) and chaise (B) together.**

