

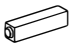













ASSEMBLY INSTRUCTION

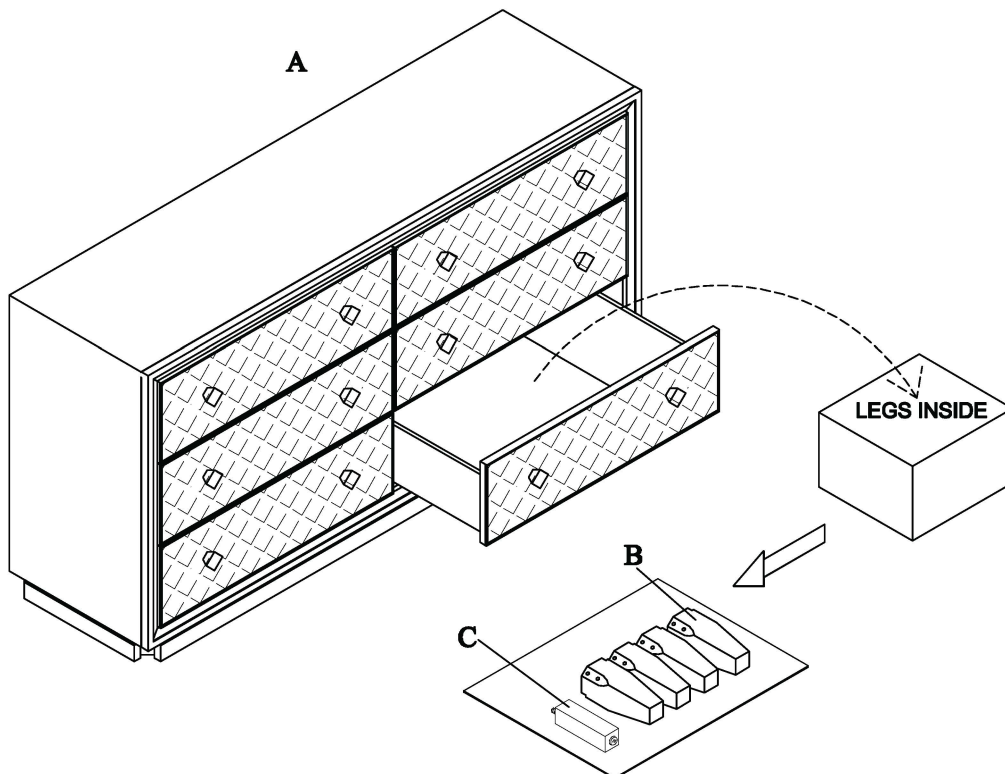
Thank you for purchasing this quality product. Be sure to check all packing material carefully for small parts that may have come loose inside the carton during shipment.

PART LIST			
NO.	Description	Sketch	Q'ty
A	DRESSER		1PC
B	LEG		4PCS
C	CENTER SUPPORT LEG		1PC
D	MIRROR		1PC
E	MIRROR SUPPORT BAR (PACKED WITH MIRROR)		

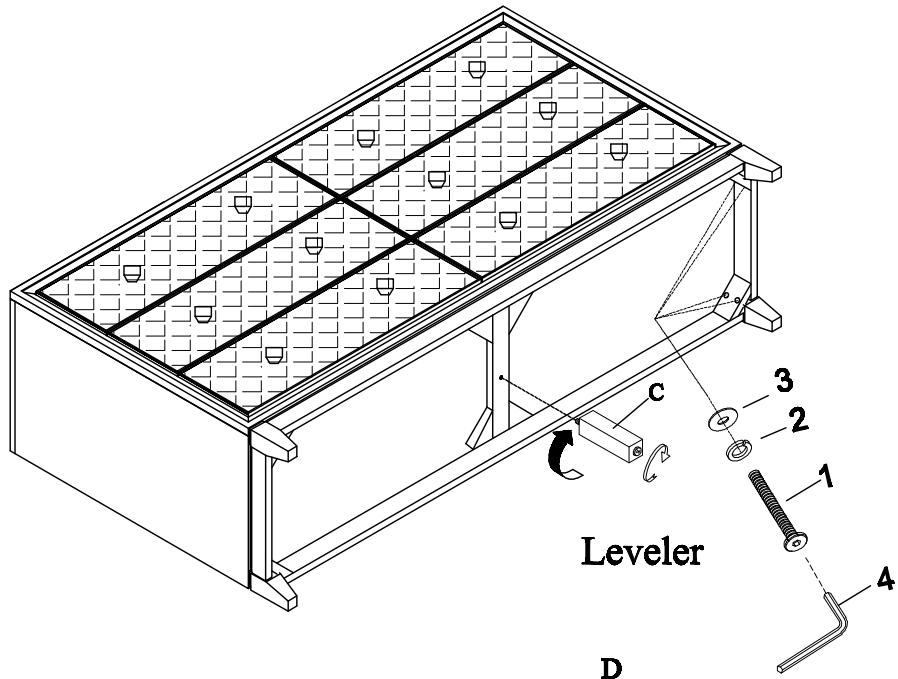
HARDWARE LIST (CARTON)				
NO.	Description	Sketch	Size	Q'ty
1	BOLT		5/16"-18x2"	8PCS
2	SPRING WASHER		5/16"IDx1/2"ODx1/16"TK	8PCS
3	FLAT WASHER		5/16"IDx3/4"ODx1/16"TK	8PCS
4	ALLEN KEY		1/6"	1PC
5	Tipping restraint			1SET

HARDWARE LIST (CARTON)				
NO.	Description	Sketch	Size	Q'ty
6	BOLT		1/4"-18x1 1/2"	8PCS
7	SPRING WASHER		1/4"IDx3/8"ODx1/16"TK	8PCS
8	FLAT WASHER		1/4"IDx3/4"ODx1/16"TK	8PCS
9	ALLEN KEY		1/6"	1PC

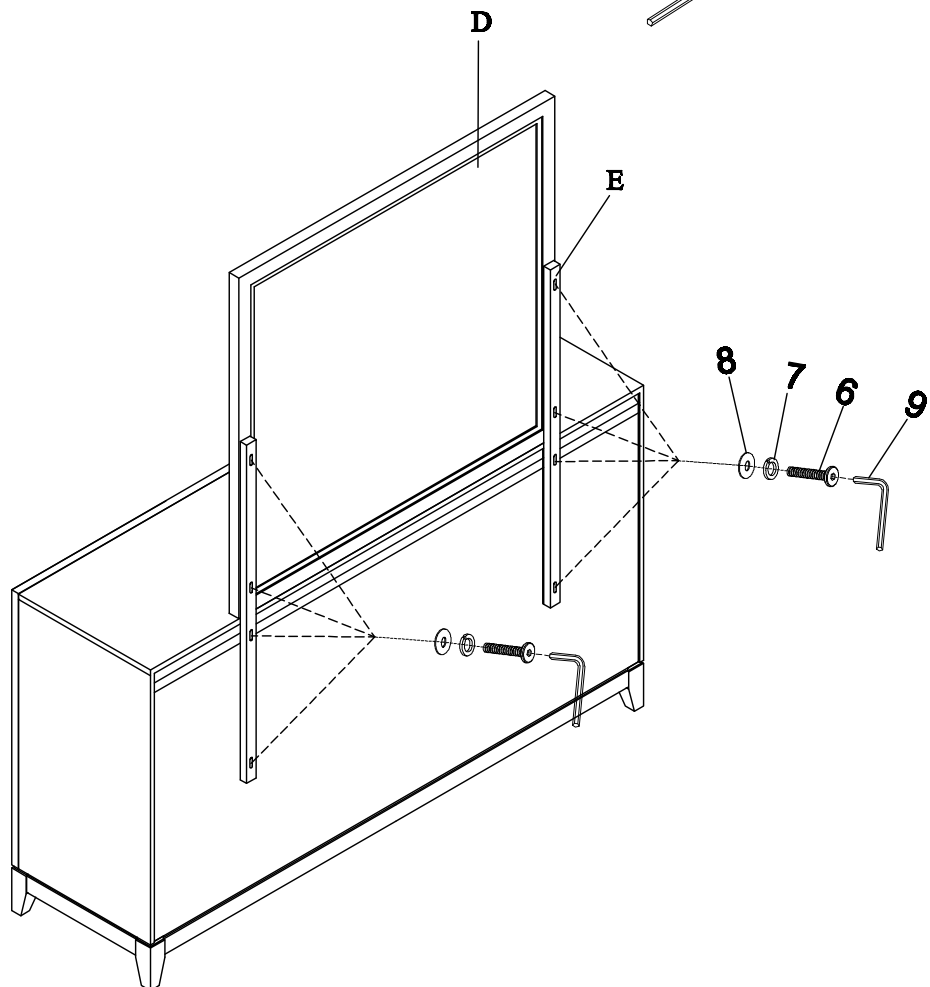
Step 1

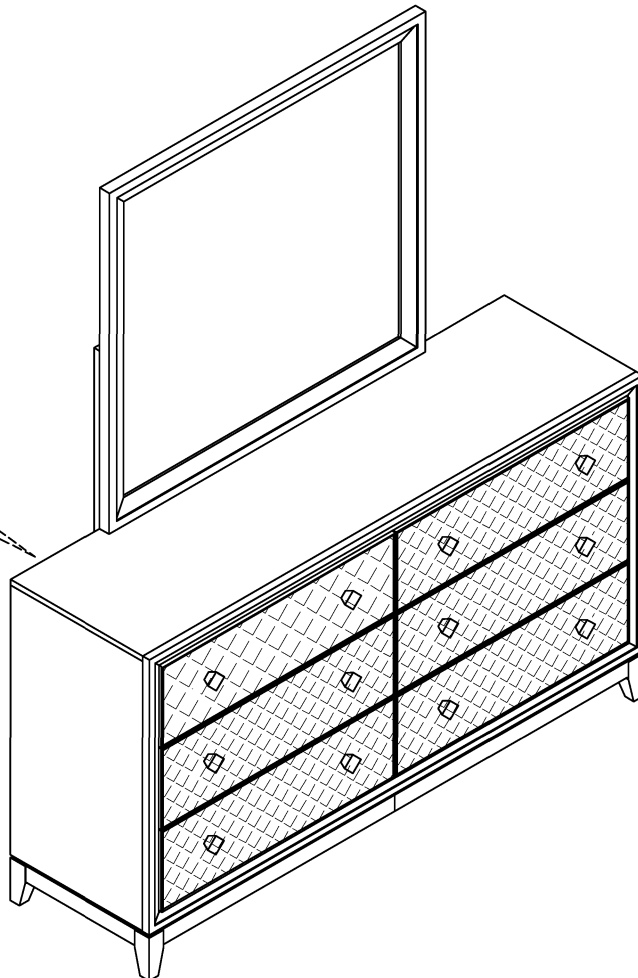
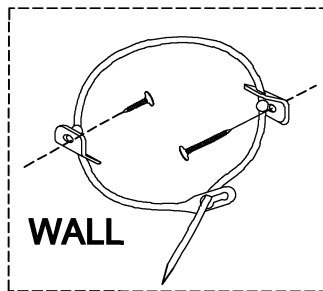


Step 2



Step 3





COMPLETED



It is recommended to install protective pads under all legs and supports to avoid damage or scratches when placing furniture on a wood floor or other hard surface, and to limit indentation and prevent discoloration if placing on carpet.