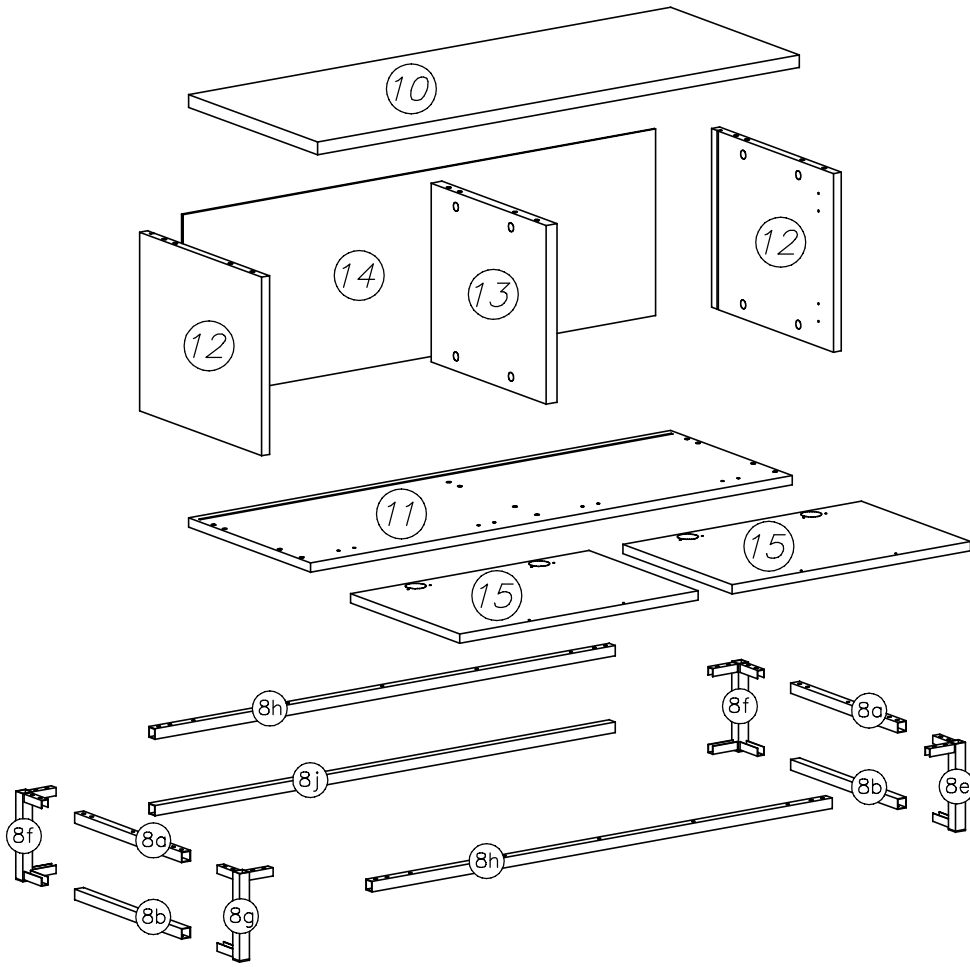
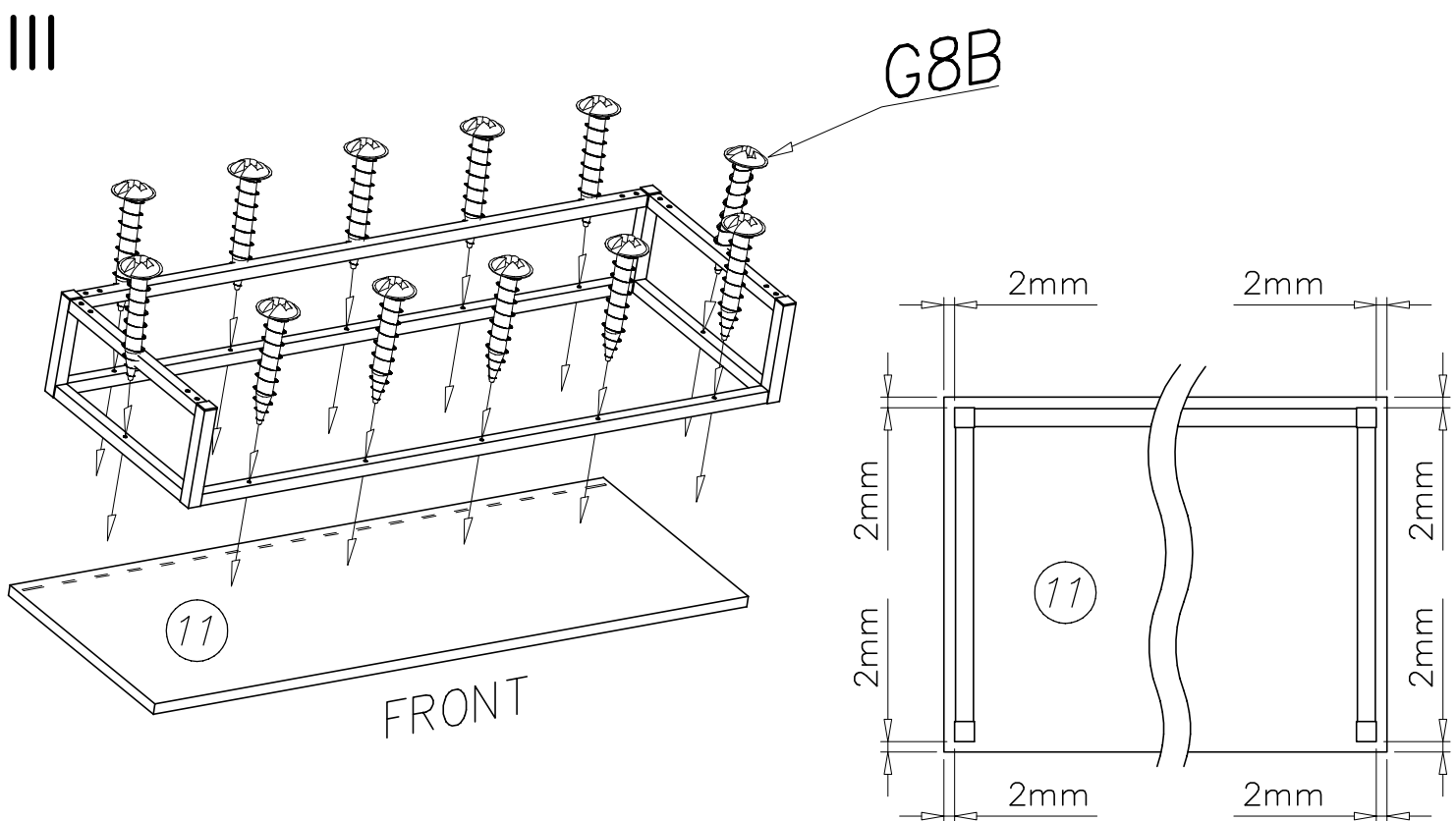
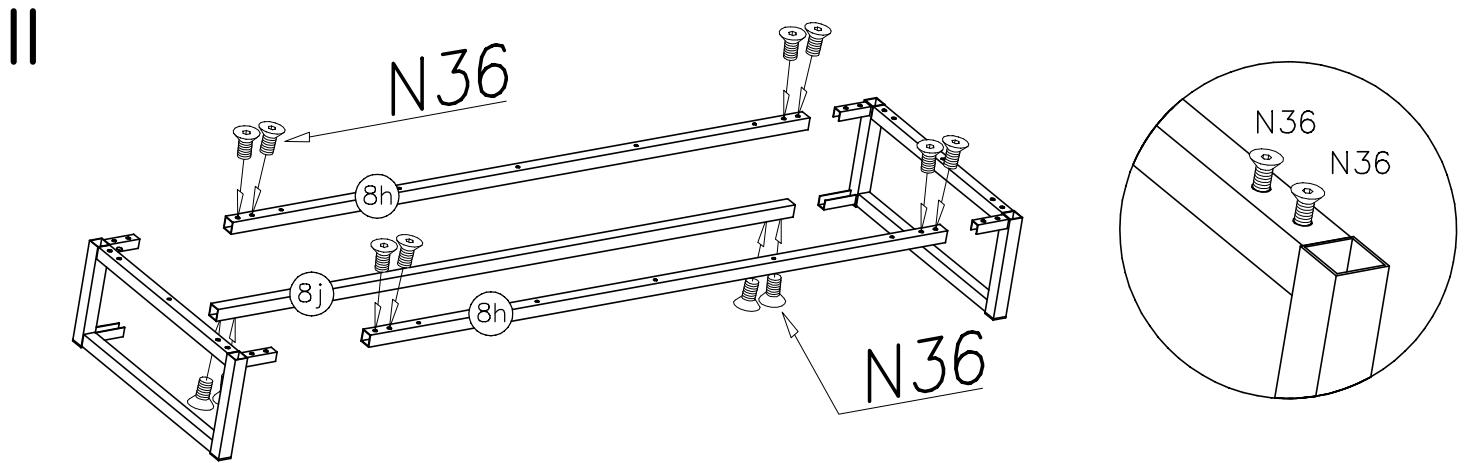
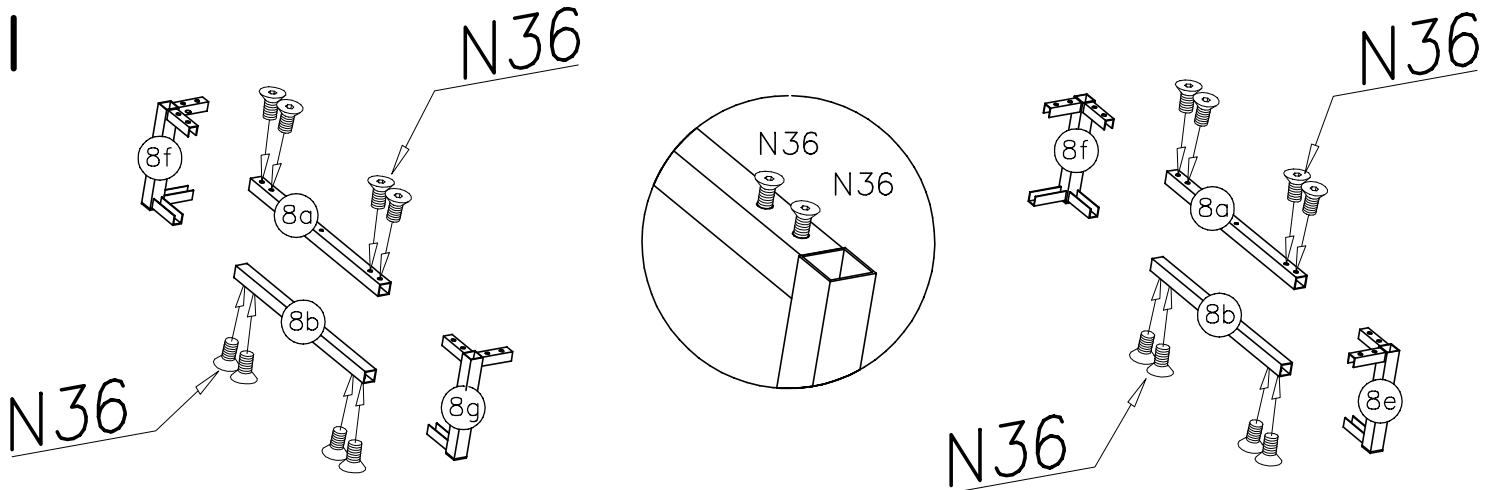
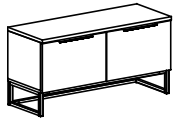
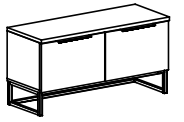


nr	L[mm]	B[mm]	T[mm]	Menge	Colli
10	980	374	22	1	1/2
11	980	354	16	1	1/2
12	308	354	16	2	1/2
13	308	334	16	1	1/2
14	959	320	3	1	1/2
15	485	317	16	2	1/2
8a	314	18	18	2	2/2
8b	314	18	18	2	2/2
8e	150	20	20	1	2/2
8f	150	20	20	2	2/2
8g	150	20	20	1	2/2
8h	938	18	18	2	1/2
8j	938	18	18	1	1/2
BESCHLAGE					1/2

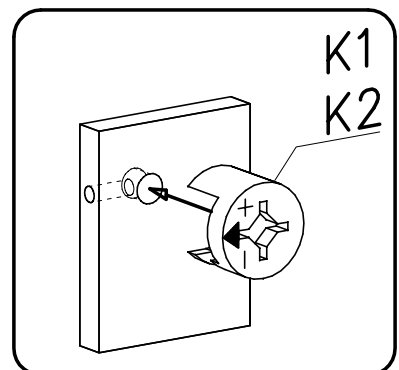
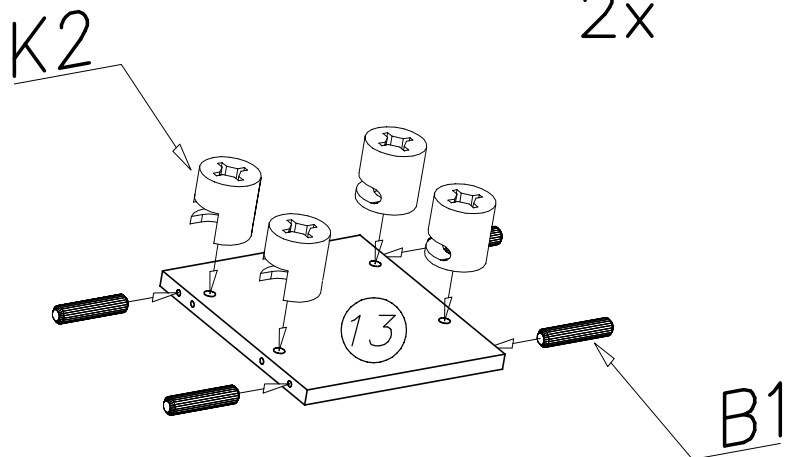
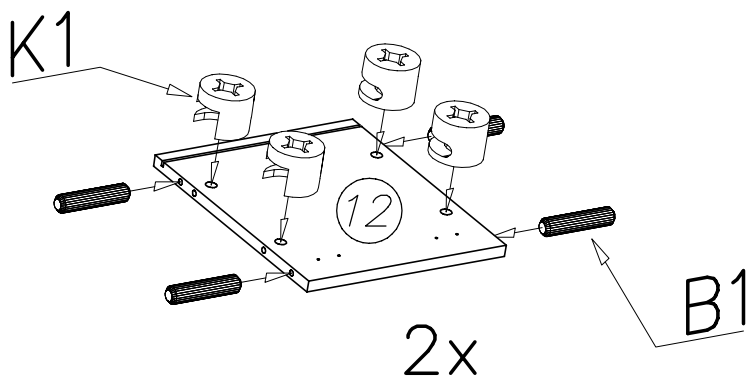
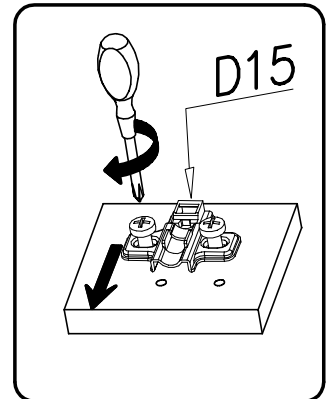
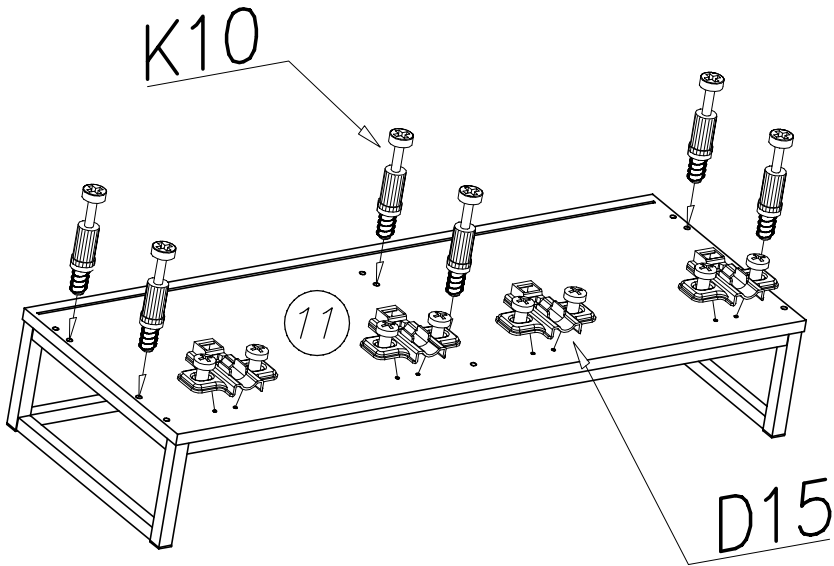
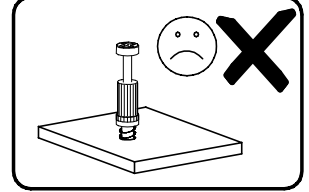
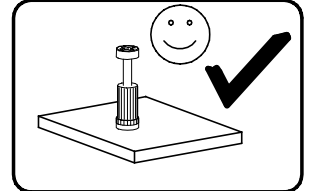
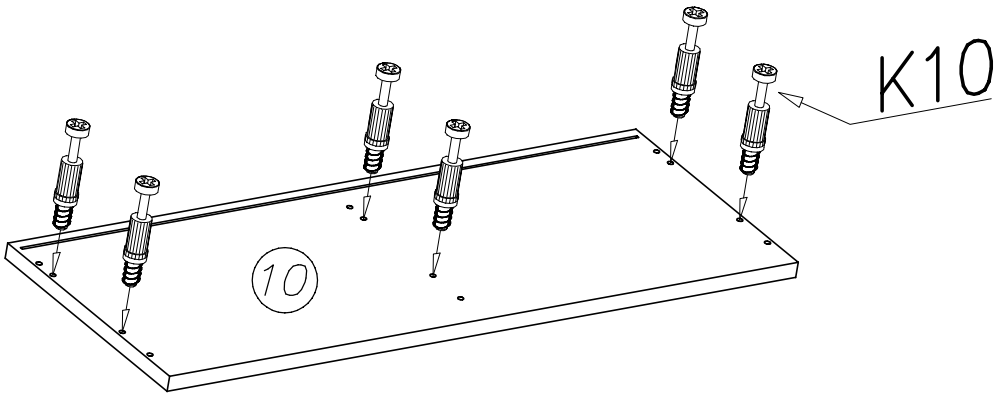


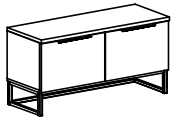
	G8B Black/Schwarz 4x30 x...(12)	N36 M5x10 x...(28)	G32 3,5x16 x...(8)	L8 60N x...(2)
K2 ø15x16 x...(4)	G28 4x60 x...(1)	M11 x...(1)	E96 224mm x...(2)	
K1 ø15x12 x...(8)	U6 ø8x40 x...(1)	I7 x...(12)	I1 x...(6)	G34 3,5x16 x...(13)
K10 x...(12)	B1 ø8x35 x...(12)	C15 Z35CL x...(4)	D15 PZ35CL x...(4)	G34B Black/Schwarz 3,5x16 x...(4)



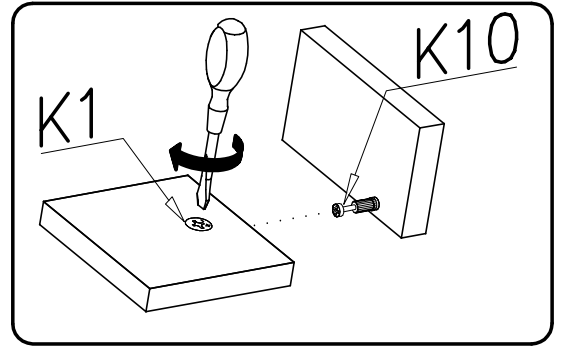
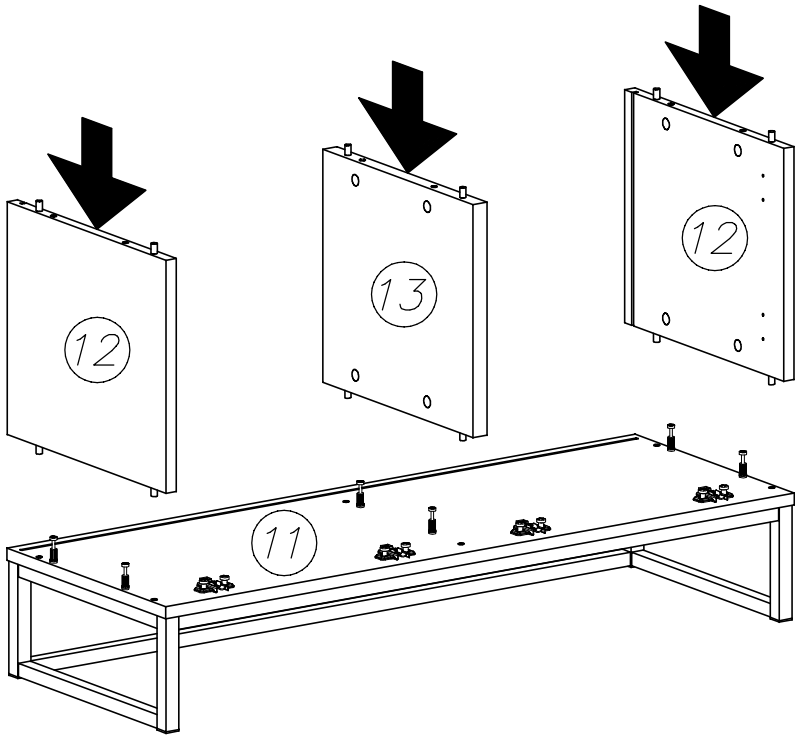


IV

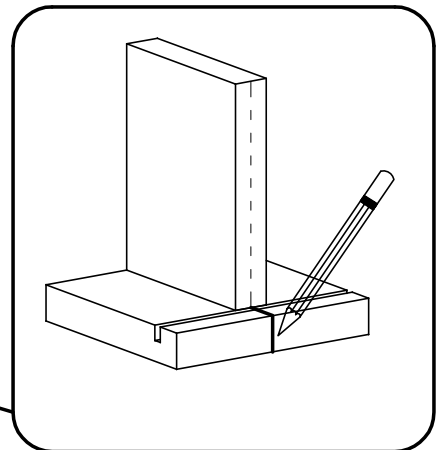
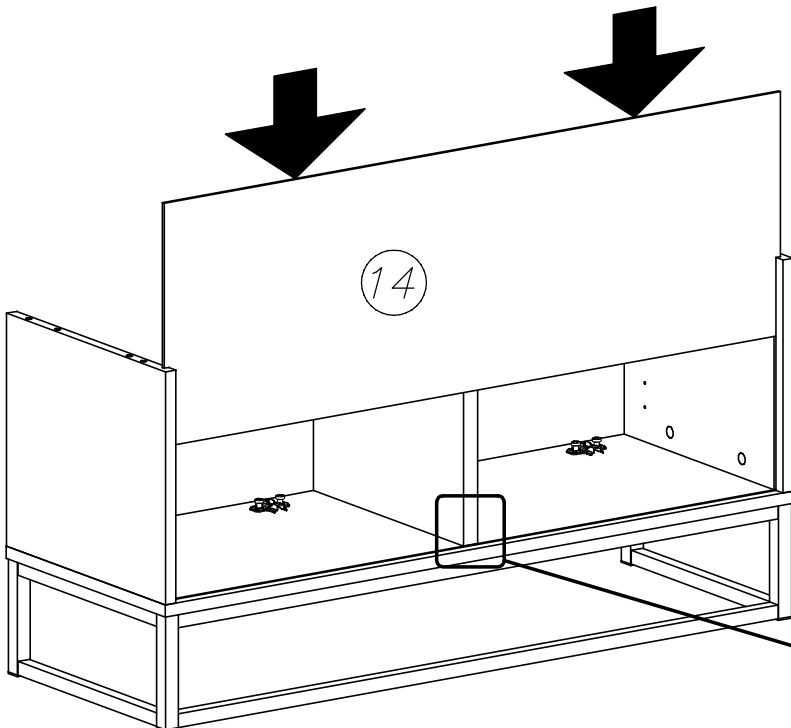


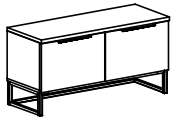


V

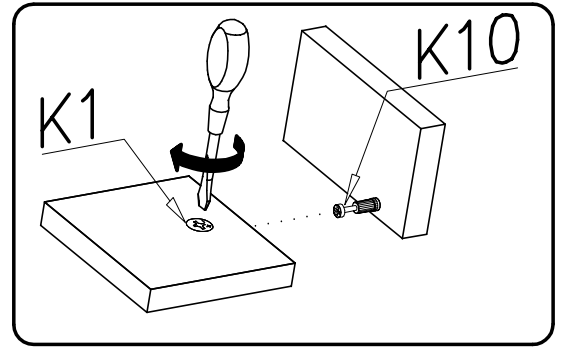
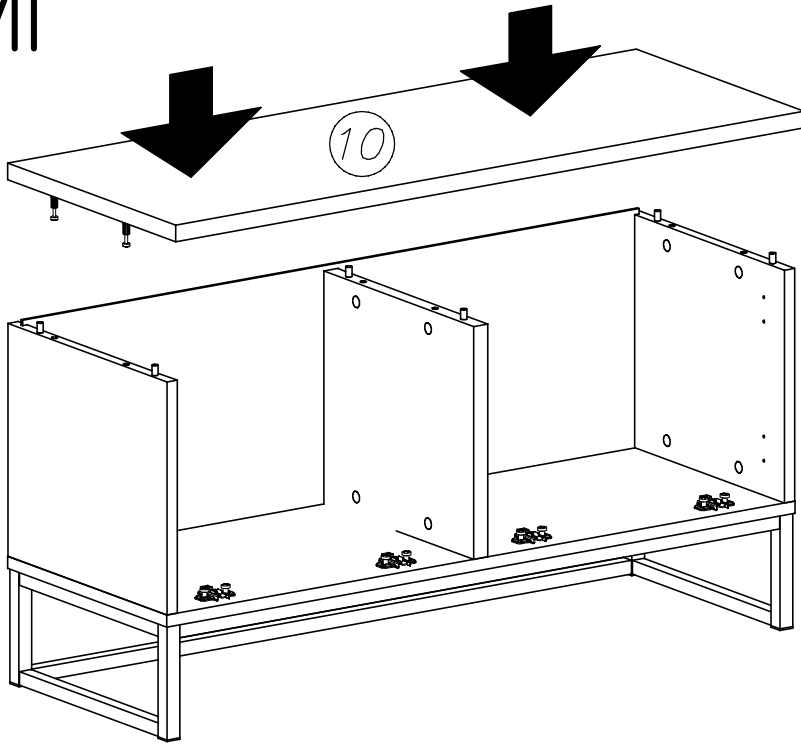


VI

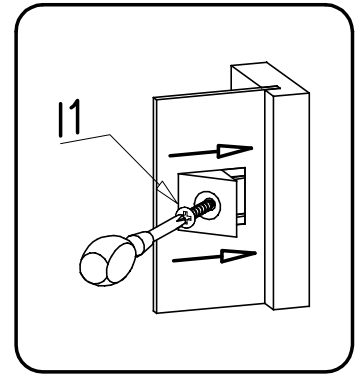
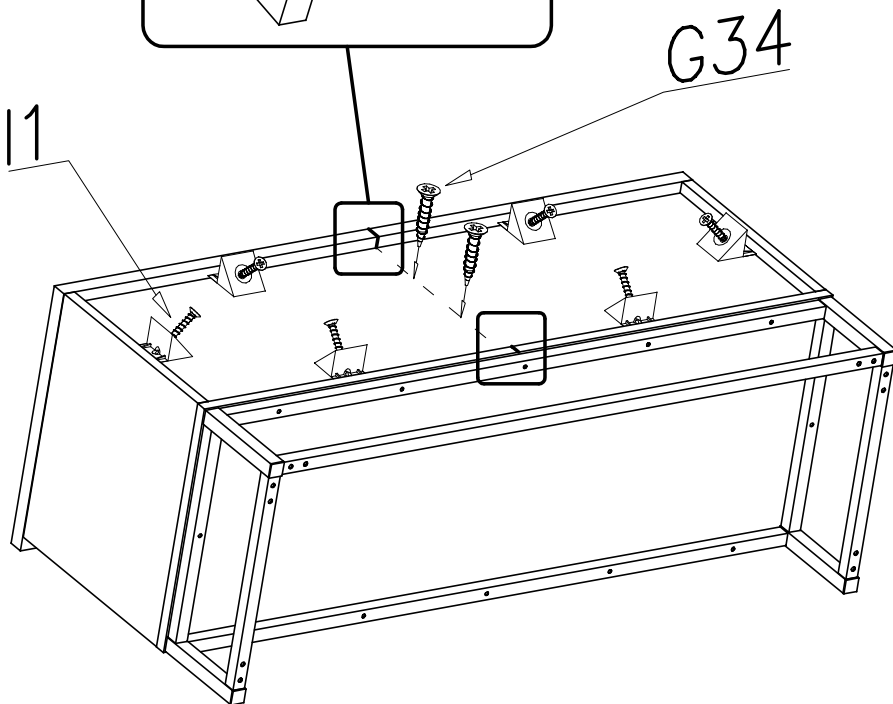
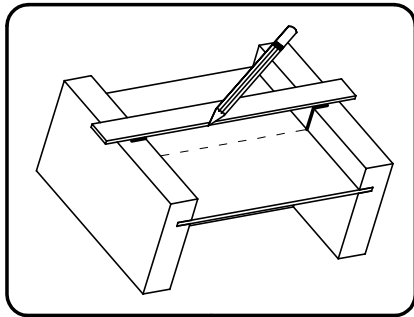




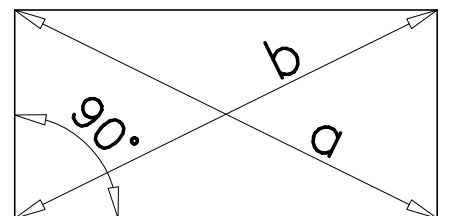
VII

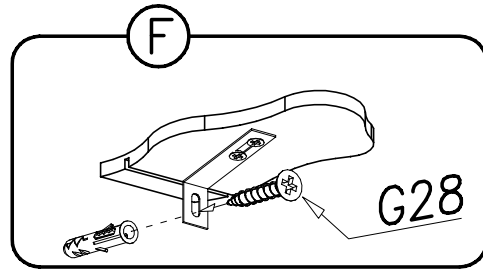
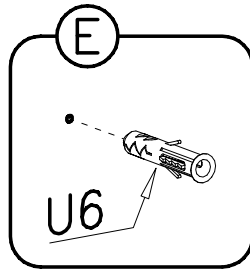
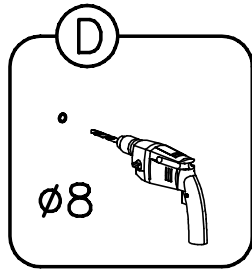
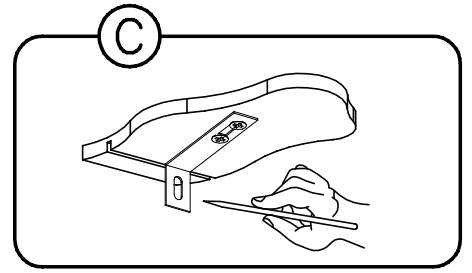
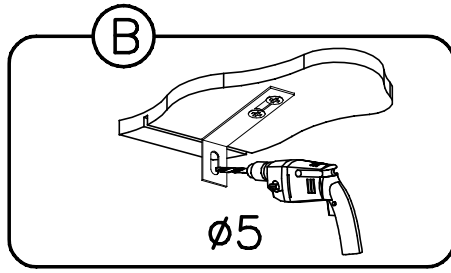
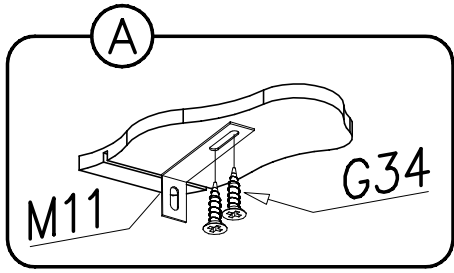
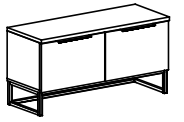


VIII

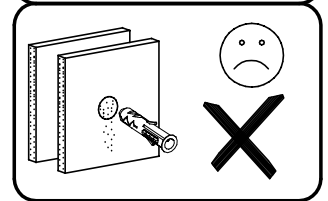
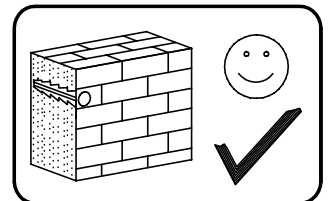
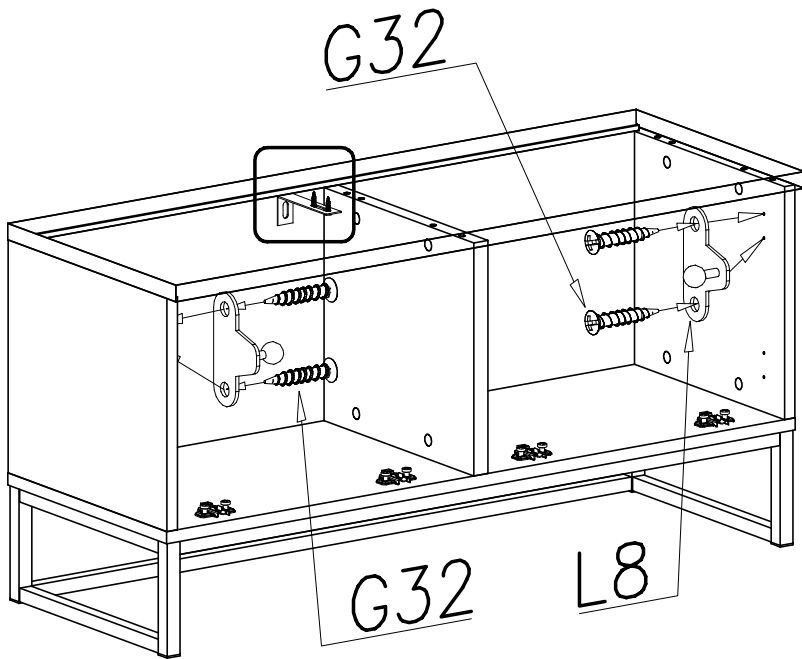


$$a = b$$

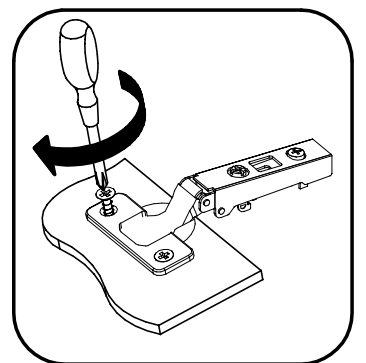
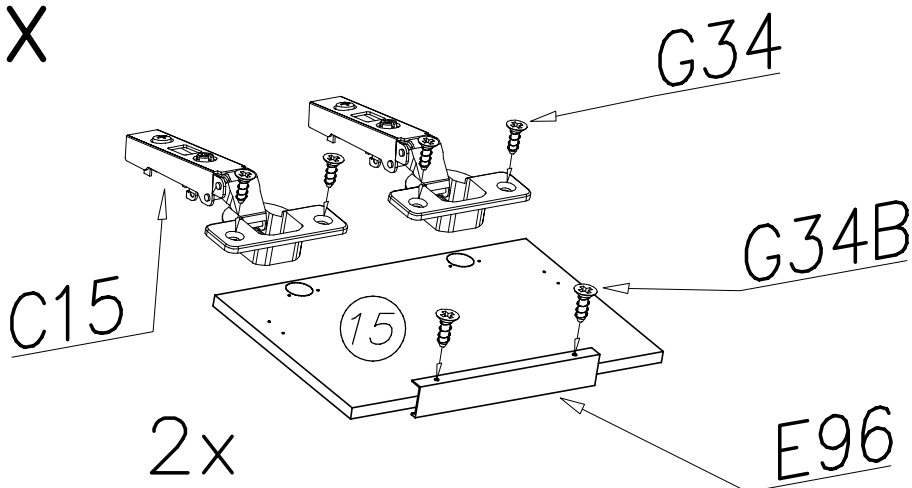


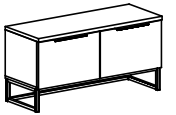


IX

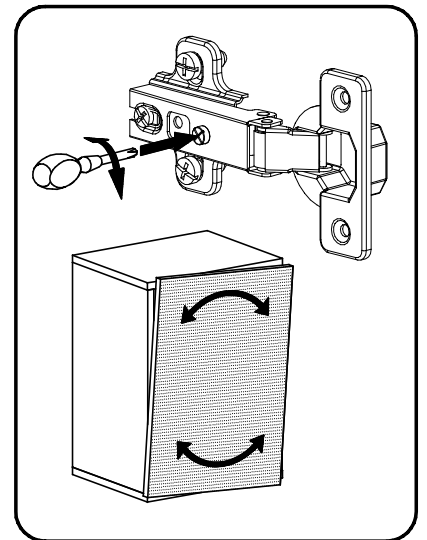
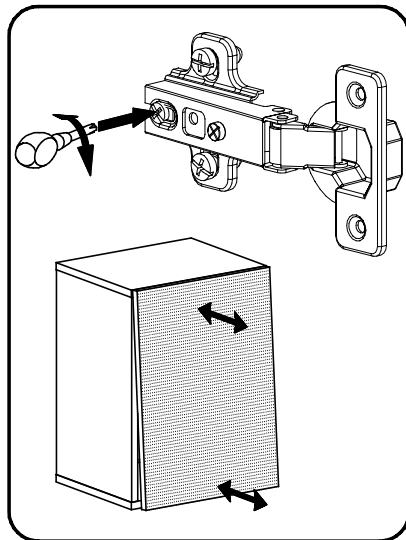
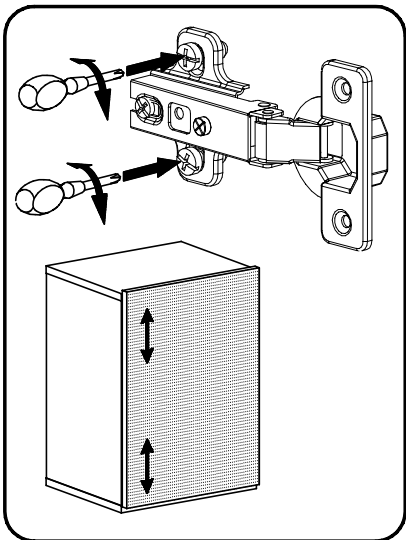
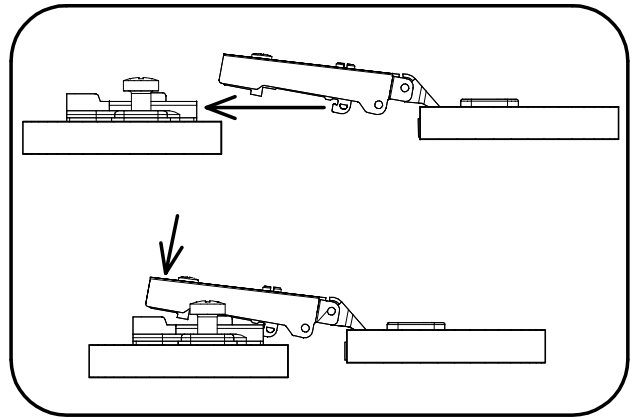
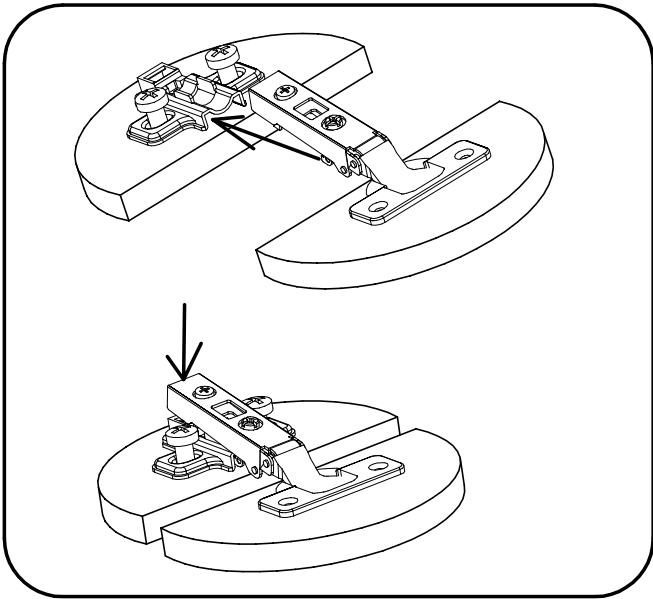
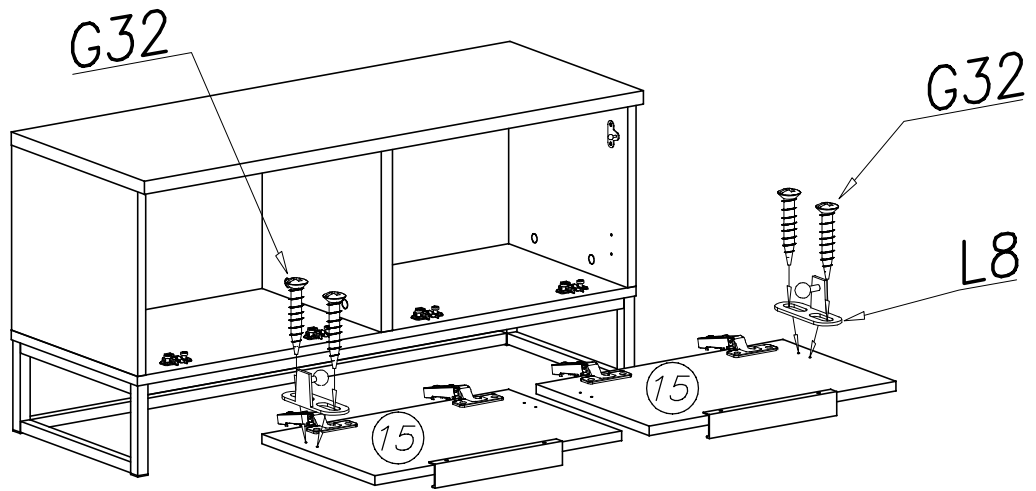


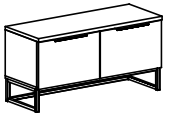
X





XI





XII

