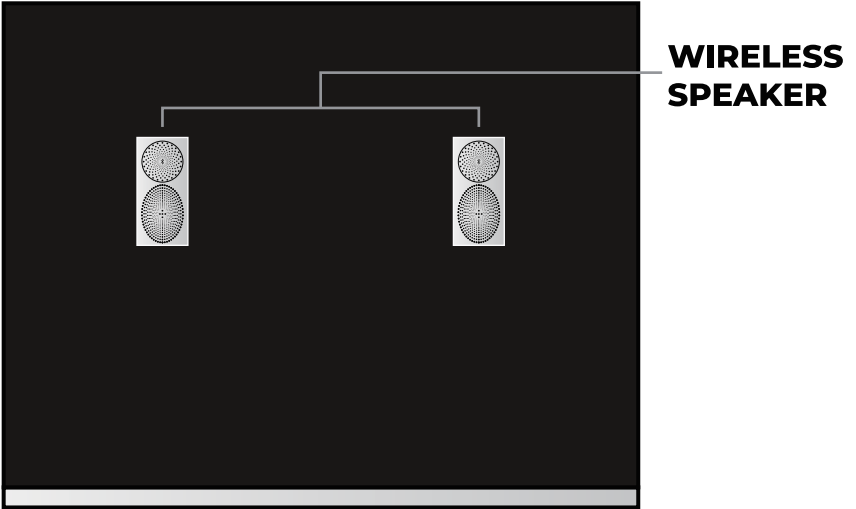
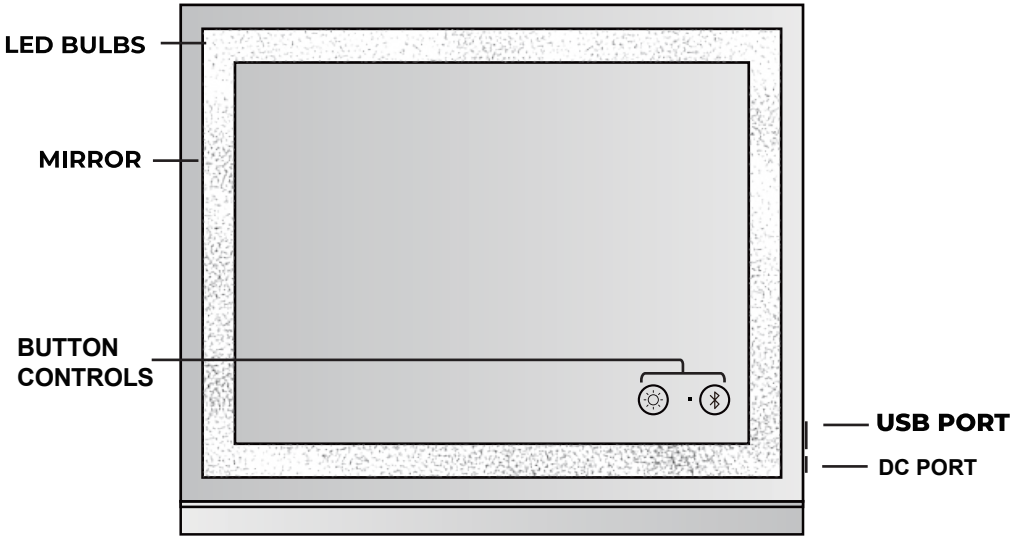


Hollywood LED

Makeup Mirror



BUTTON CONTROLS



Short press to control the switch and change the light color
Long prss to adjust brightness



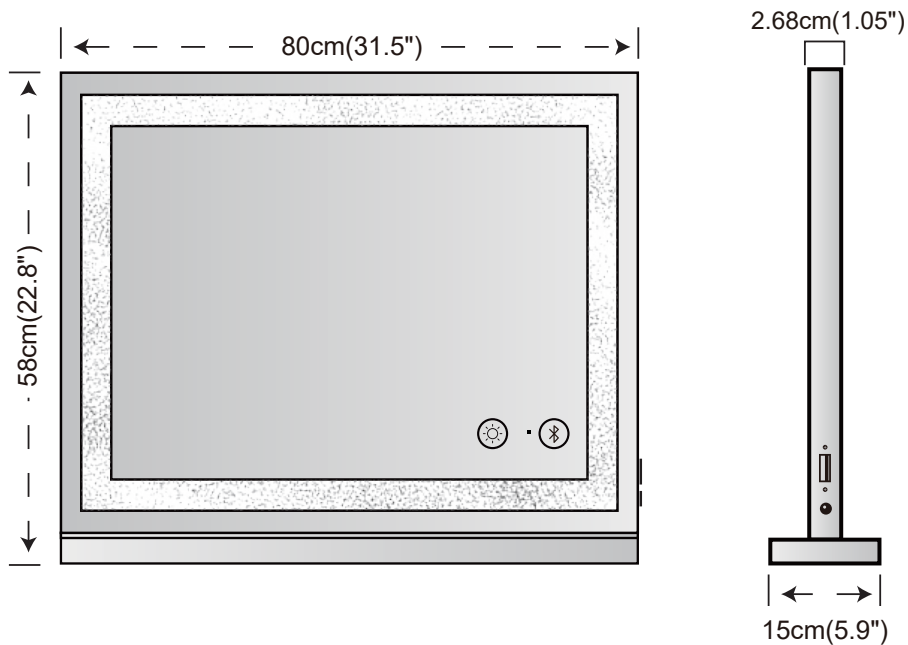
Turn on the Bluetooth function
Short press/Long press to turn ON/OFF the Bluetooth function.

CONTAINED ITEMS

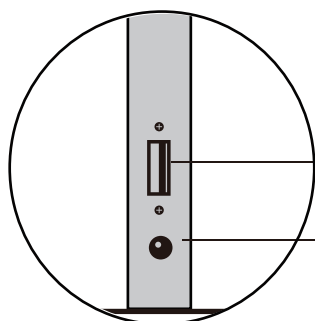
1. Hollywood mirror×1
2. 10 times magnifying glass×1
3. Adapter×1
4. Lens wiping cloth×1
5. Instruction book×1

Please use our included power adapter,Do not use an unsuitable power adapter, otherwise it will damage the mirror

PRODUCT SIZE



CONTAINED ITEMS



USB Port for charging the electronic advices, like mobile phone.

Connect the power to use LED Mirror lights. Disconnect the power to off LED Mirror lights.