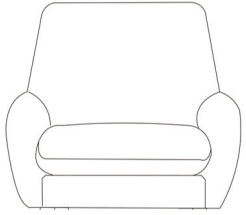
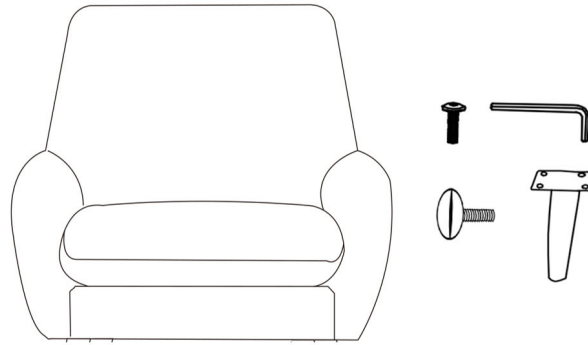


INSTALLATION INSTRUCTIONS

A*1



①



B*4



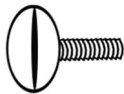
C*16



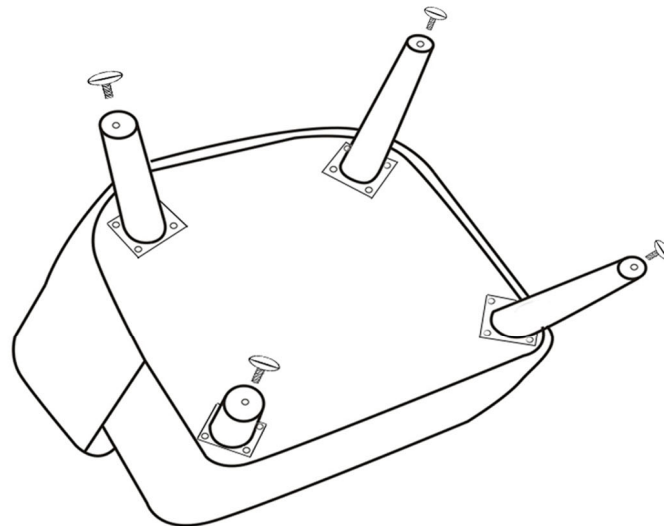
D*1



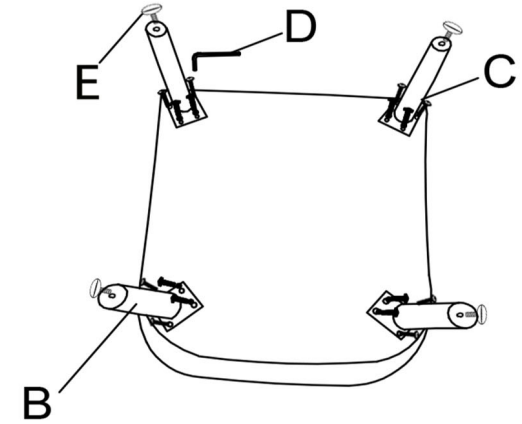
E*4



③

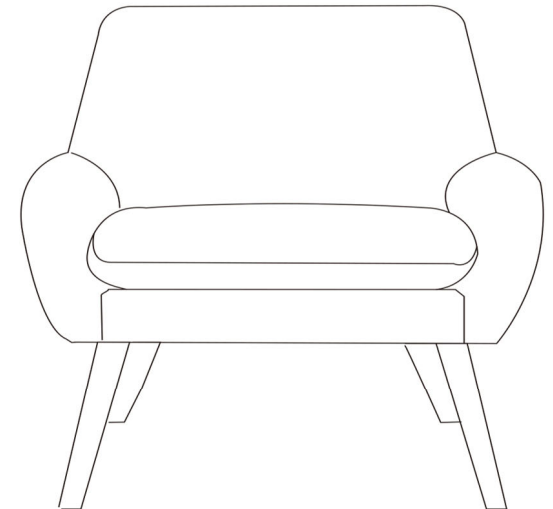


②



ATTENTION:
FOUR ANGLES, LIE ON THE OUTSIDE

④



IF IT IS UNEVEN, IT CAN BE ADJUSTED
BY ROTATING THE FOOT PIN