

# INSTRUCTION MANUAL

## 13 ft x 11 ft Double Roof Hardtop Wood Gazebo



To inquire about replacement parts,  
please email to [teamaftersale@outlook.com](mailto:teamaftersale@outlook.com).





## LIMITED WARRANTY

We offer a limited warranty that this product is free from defects in materials and workmanship for a period of one (1) year from the original date of purchase. At its discretion, we may provide replacement parts for defective parts to original purchaser after its own review and examination. Original receipt or proof of purchase as well as proof of defect is required. We will not be responsible for shipping costs incurred outside the continental USA. Warranty is valid for the original purchaser for 1 year from the date of purchase and is not transferable. Regular maintenance of wood, aluminum, and steel components is required to assure the integrity of your product and is a requirement of the warranty. This warranty does not cover any inspection costs.

### **This Limited Warranty does not cover:**

- Labor for replacement of any defective item(s);
- Incidental or consequential damages;
- Cosmetic defects which do not affect performance or integrity;
- Vandalism; improper use or improper installation; acts of nature, including but not limited to wind, storms, hail, floods, excessive water exposure;
- Structural or component failure due to snow loading.
- Minor twisting, warping, checking, cracking, or any other natural occurring properties of wood that do not affect performance or integrity.

Our products have been designed for safety and quality. Any modifications made to the original product could damage the structural integrity of the product leading to failure and possible injury. We can not assume any responsibility for modified products. Furthermore, modification voids any and all warranties.

All replacement products or parts will assume the remaining warranty of the original product. This warranty gives you specific legal rights. You may also have other rights, which vary from state to state.

**This product is warranted for RESIDENTIAL USE ONLY. We disclaims all other representations and warranties of any kind, express or implied.**

**We do not warrant against and under no circumstances shall we be liable or responsible for any personal loss, injury, or direct or indirect incidental or consequential damages resulting from the use of this product**

*This Warranty gives you specific legal rights. You may have other rights as well which vary from state to state or province to province. This warranty excludes all consequential damages, do not allow the limitation or exclusion of consequential damages, and therefore this limitation may not apply to you, however, some states/provinces do not allow the limitation or exclusion of consequential damages, and therefore this limitation may not apply to you.*

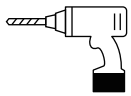
**WARNING:**

**To reduce the risk of serious injury, read the following safety instructions thoroughly before assembling and using the gazebo.**

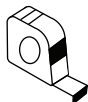
- Check with your local governing authority/local municipal codes regarding installation and permitting of such structures before assembly.
- Use of personal protective equipment including gloves, safety glasses, and closed toe footwear is recommended during assembly.
- Requires two or more people to assemble and install safely and correctly.
- The product is required to be installed on level solid surface and is not intended for unsecured use. The gazebo is to be anchored to the surface with appropriate bolts or anchors. These anchors need to be purchased separately for the specific installation surface. Do not assemble the gazebo on soil, earth, or bare ground.
- Ensure enough clearance around the product. Before assembling the product, find level ground no less than 6' (1.8 m) away from any structures or obstructions, such as fences, buildings, or overhead obstacles.
- Do not assemble or install the gazebo underneath electrical lines or above underground utilities.
- Check for underground utilities before digging or driving stakes into the ground.
- This gazebo is not to be regarded as part of a building/house structure.
- All assembly and maintenance of the product must be carried out by adults only.
- Use all power tools and hand tools in accordance with their respective safety manuals.
- Keep children and pets away while setting up the gazebo.
- Wood framed gazebos are NOT flame retardant and will burn. Grills, firepits, and chimneas create a fire hazard and should not be placed under or near your structure.
- Do not hang heavy weights from the roof frame.
- Do not climb onto the roof of the gazebo for any reason.
- Check all nuts and bolts monthly to ensure bolts/nuts are tightened.
- Check the metal hardware monthly to ensure there are no exposed sharp edges or rust. Sand sharp edges or rust with sandpaper and apply touch up paint. Always use lead free paint that conforms to 16 CRF Part 1303.
- Inspect wood parts monthly. Sand any lifted grain or splinters and apply a sealant over the raw wood. The wood frame is subject to weathering. As with all outdoor wood product, it is necessary to apply a wood sealant to the wood frame to prevent premature weathering.

---

**Needed for assembly:** *(The following tools are not included)*



Pistol Drill



Tape Measure



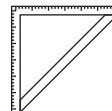
Hammer



Screwdriver



Level



Framing Square



Ladder



Two or more people

## Packing List

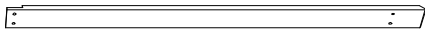
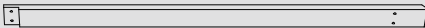

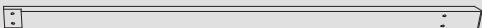



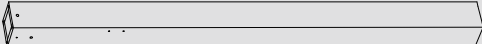










Carton-1	
Part	Qty
D	1
E2	2
F	4
G	4
H	6
I	4
K1	4
K2	4
K3	2
K4	2
K5	2
M2	4
R1	1
R2	4
R3	4
V	18
Instruction Manual	1

Carton-2	
Part	Qty
P1	8
P2	8
P3	4
P4	4
P5	4
P6	4
Q1	2
Q2	2


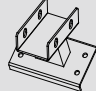


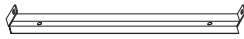








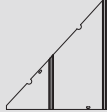
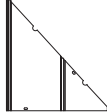

Carton-3	
Part	Qty
02	2
03	2
04	2
05	4
08	2
B	4
C	4
L1	8
L2	8

Carton-4	
Part	Qty
01	2
06	4
07	4
08	2
10	4
11	4
E1	2
J	6
L3	4
M1	4
S1	4
S2	12
<b>Hardware:</b> AA.CC.EE.FF.GG.HH. II.KK.LL.MM.NN.OO. PP.QQ.SS.RR.Z1.Z2. Z4.P	1





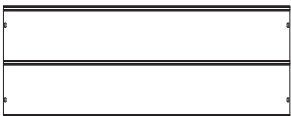






## Part List

Label	Description	Sketch	QTY
01	Outer Long Left Beam (Long)		2
02	Outer Long Right Beam (Long)		2
03	Outer Long Left Beam (Short)		2
04	Outer Long Right Beam (Short)		2
05	Inner Middle Beam		4
06	Inner Short Beam (Short)		4
07	Inner Short Beam (Long)		4
08	Post		4
10	Arc Support 1		4
11	Arc Support 2		4
B	Base Cover		4
C	Base		4
D	Fastening Piece of Top Roof		1
E1	Long Side Tube of Big Roof		2
E2	Short Side Tube of Big Roof		2
F	Bevel Beam of Top Roof		4
G	Bevel Beam of Big Roof		4
H	Middle Bevel Beam of Big Roof		6

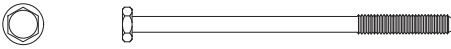


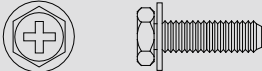
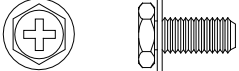
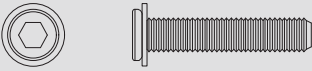
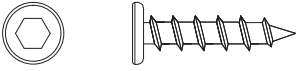



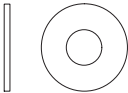
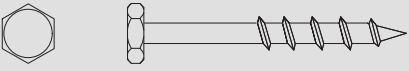
## Part List

Label	Description	Sketch	QTY
I	Connector for Bevel Beam		4
J	Connector for Middle Beam		6
K1	Left Baffle Tube of Big Roof		4
K2	Right Baffle Tube of Big Roof		4
K3	Middle Baffle Tube of Big Roof		2
K4	Short Baffle Tube of Top Roof		2
K5	Long Baffle Tube of Top Roof		2
L1	Upper Short Beam of Big Roof		8
L2	Lower Short Beam of Big Roof		8
L3	Middle Short Beam of Big Roof		4
M1	Short Tube for Mosquito Netting		4
M2	Long Tube for Mosquito Netting		4
P	Hook		1
P1	Left Small Cover Plate		8
P2	Right Small Cover Plate		8
P3	Left Middle Cover Plate of Big Roof		4

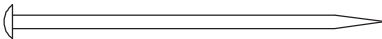
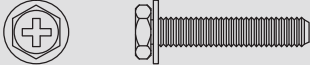

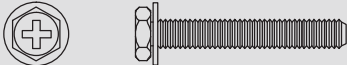



## Part List

Label	Description	Sketch	QTY
P4	Left Middle Cover Plate of Big Roof		4
P5	Left Big Cover Plate of Big Roof		4
P6	Right Big Cover Plate of Big Roof		4
Q1	Middle Cover Plate of Top Roof		2
Q2	Middle Cover Plate of Big Roof		2
R1	Middle Cover Plate of Top Roof		1
R2	Bevel Beam Cover Plate of Top Roof		4
R3	Bevel Beam Cover Plate of Big Roof		4
S1	Press Panel 1		4
S2	Press Panel 2		12
V	Rubber Gasket		18

## Hardware List

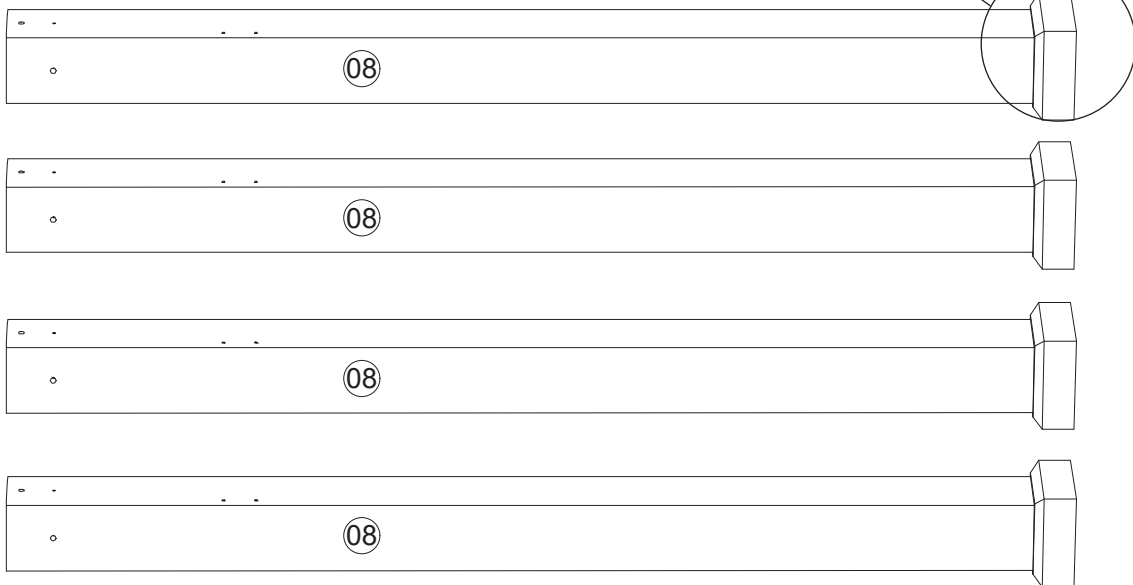
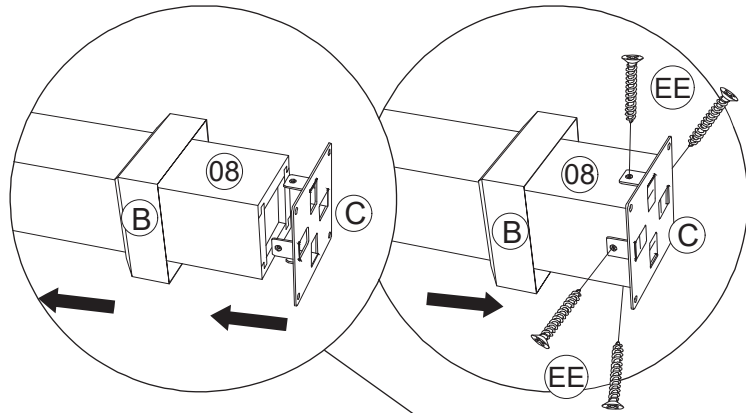
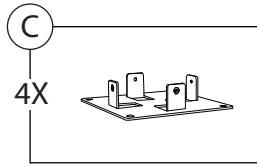
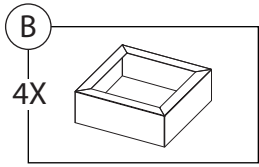
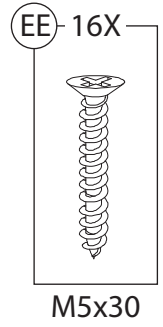
Label	Description	Sketch	QTY
AA	Hex Head Bolt M10x205		8
CC	Self-tapping Screw M5x40		64
EE	Self-tapping Screw M5x30		72
FF	Hex Head Bolt M6x20		236
GG	Hex Head Bolt M6x15		4
HH	Hexagon Socket Bolt M8x35		16
II	Self-tapping Screw M8x35		16
KK	Hexagon Socket Bolt M8x25		24
LL	Non-Slip Nut M10		8
MM	Washer M8		16
NN	Washer M10		24
OO	Hex Head Screw M10x80		8

## Hardware List

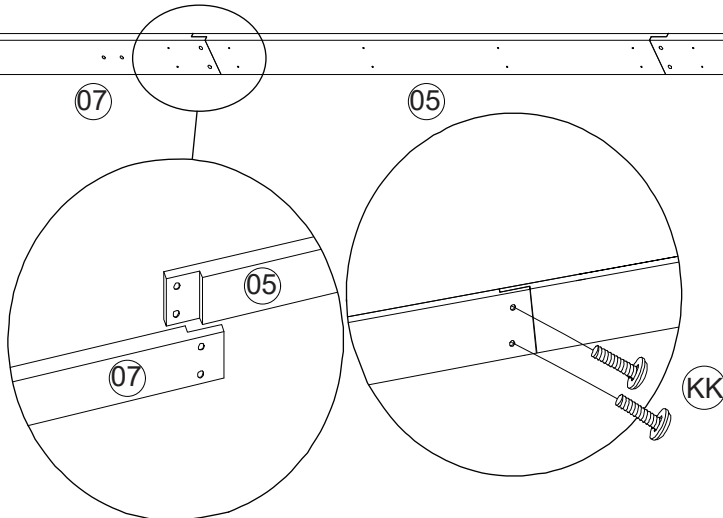
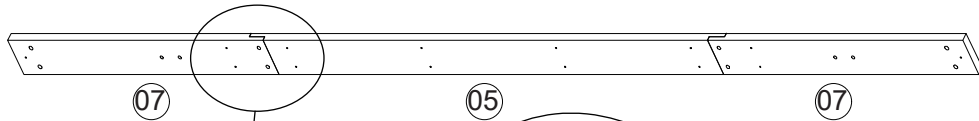
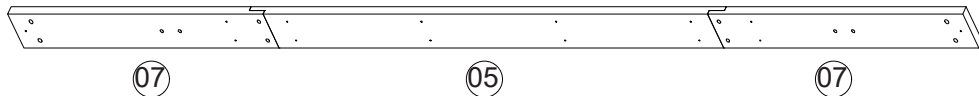
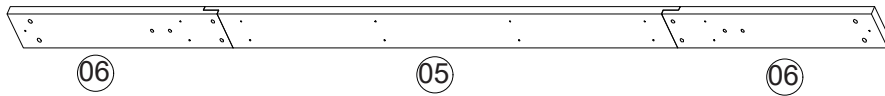
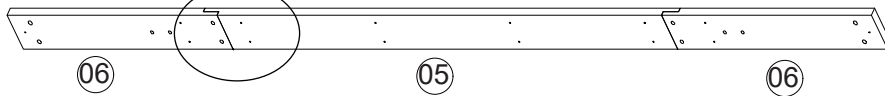
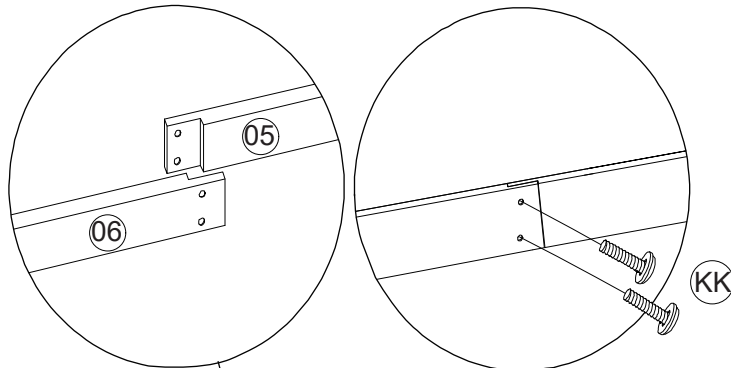
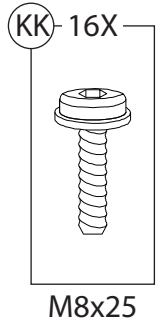
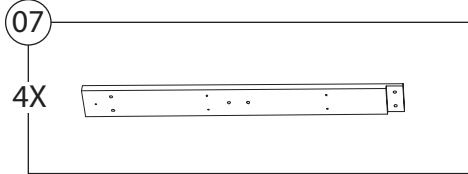
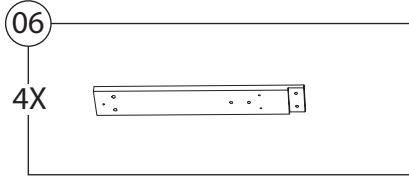
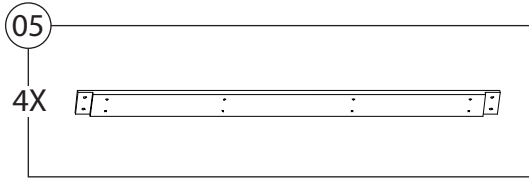
Label	Description	Sketch	QTY
PP	Stake Ø8x180		8
QQ	Hex Head Bolt M6x40		16
RR	Drill M3		2
SS	Hex Head Bolt M6x60		2
Z1	Wrench M6		2
Z2	Allen Key M8		2
Z4	Wrench M10		2



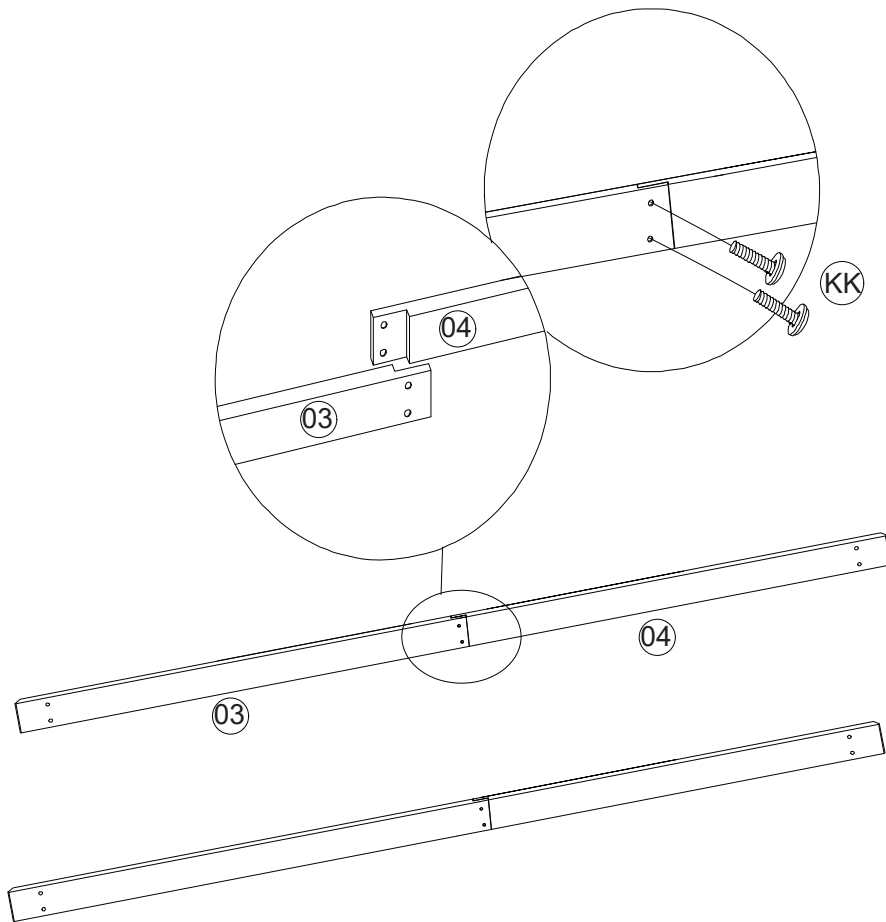
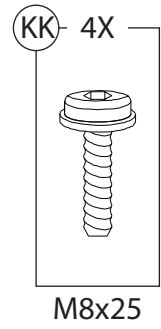
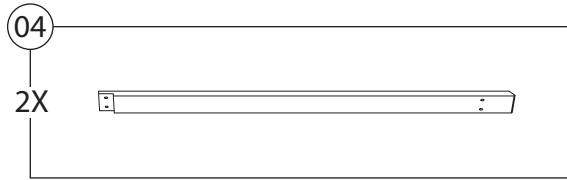
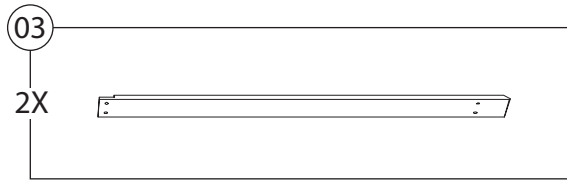
# Step 1



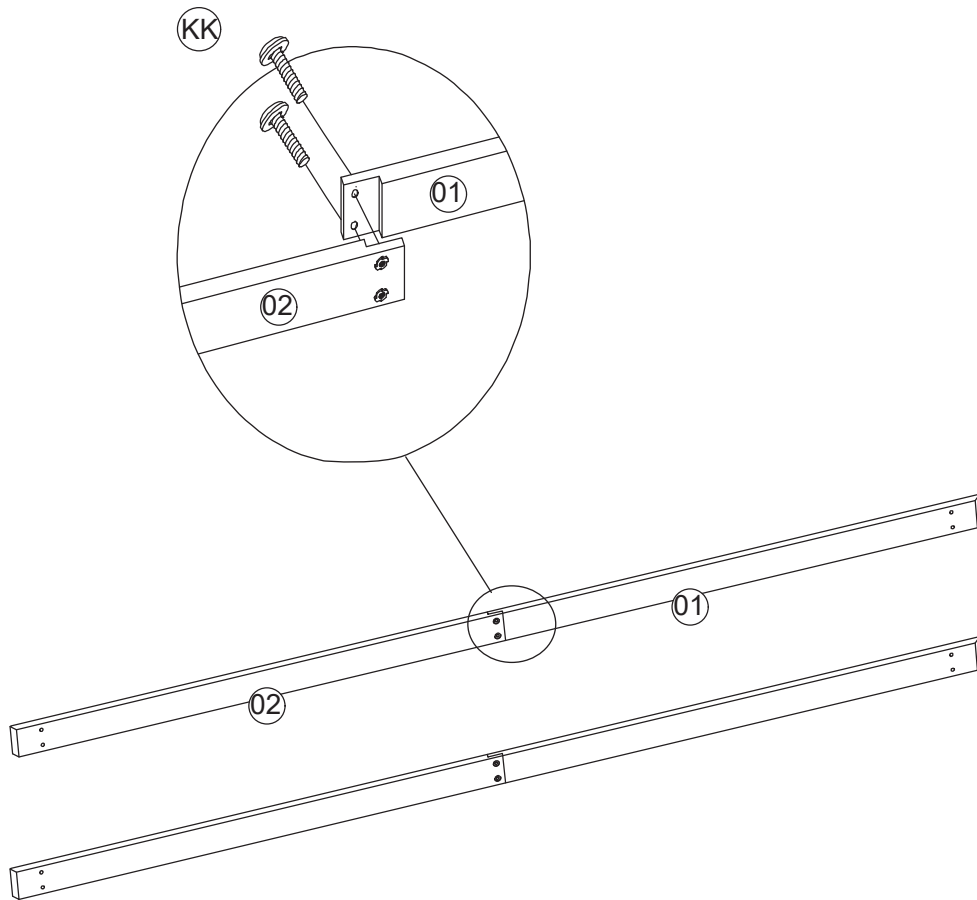
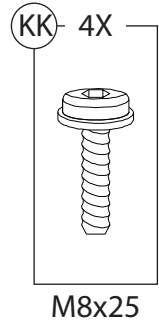
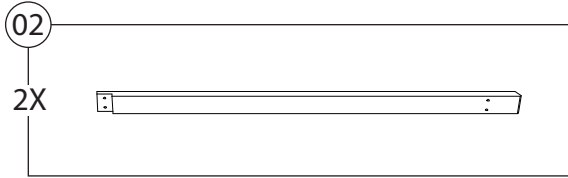
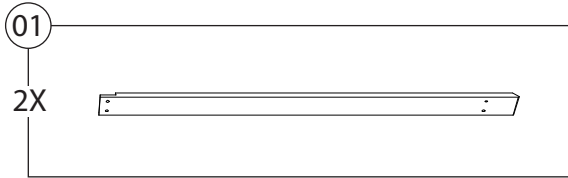
# Step 2



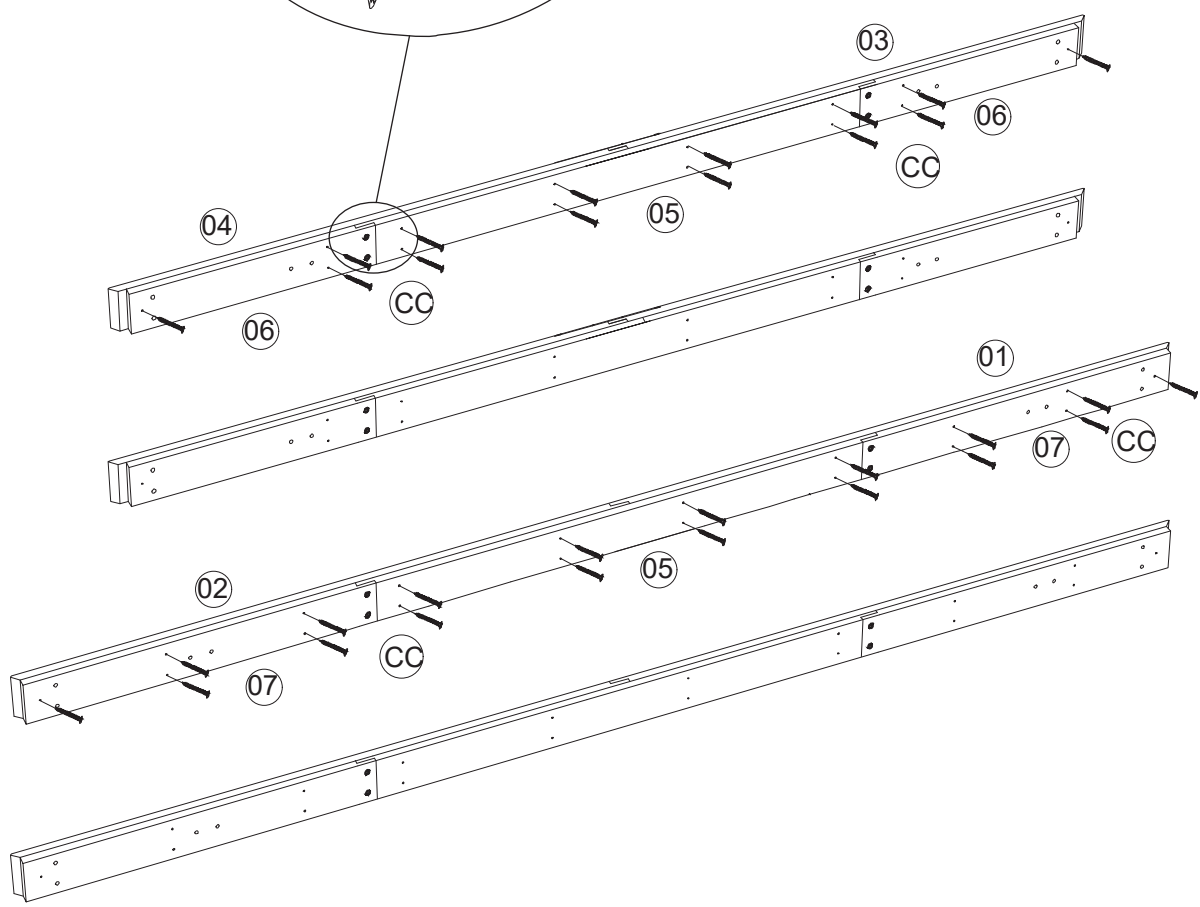
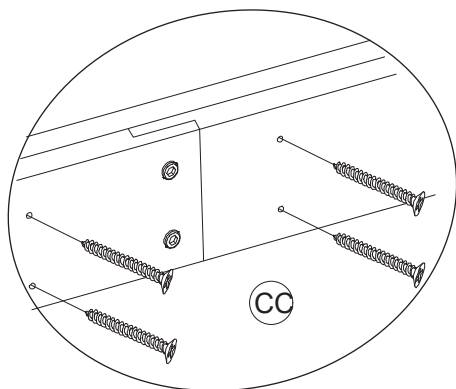
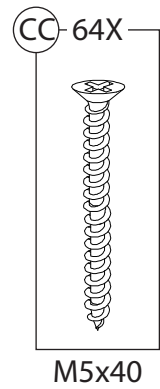
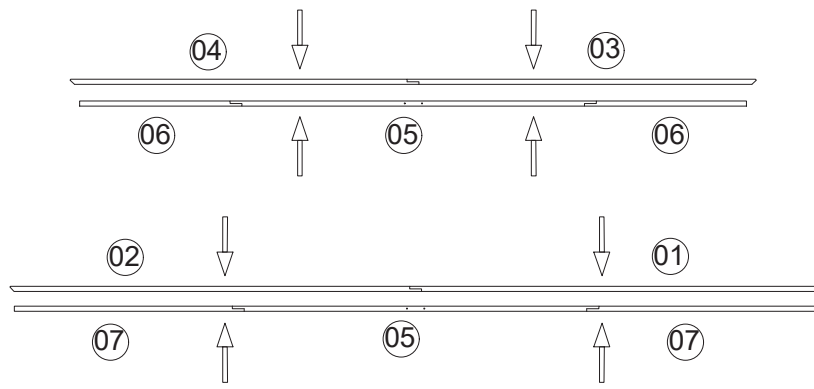
### Step 3



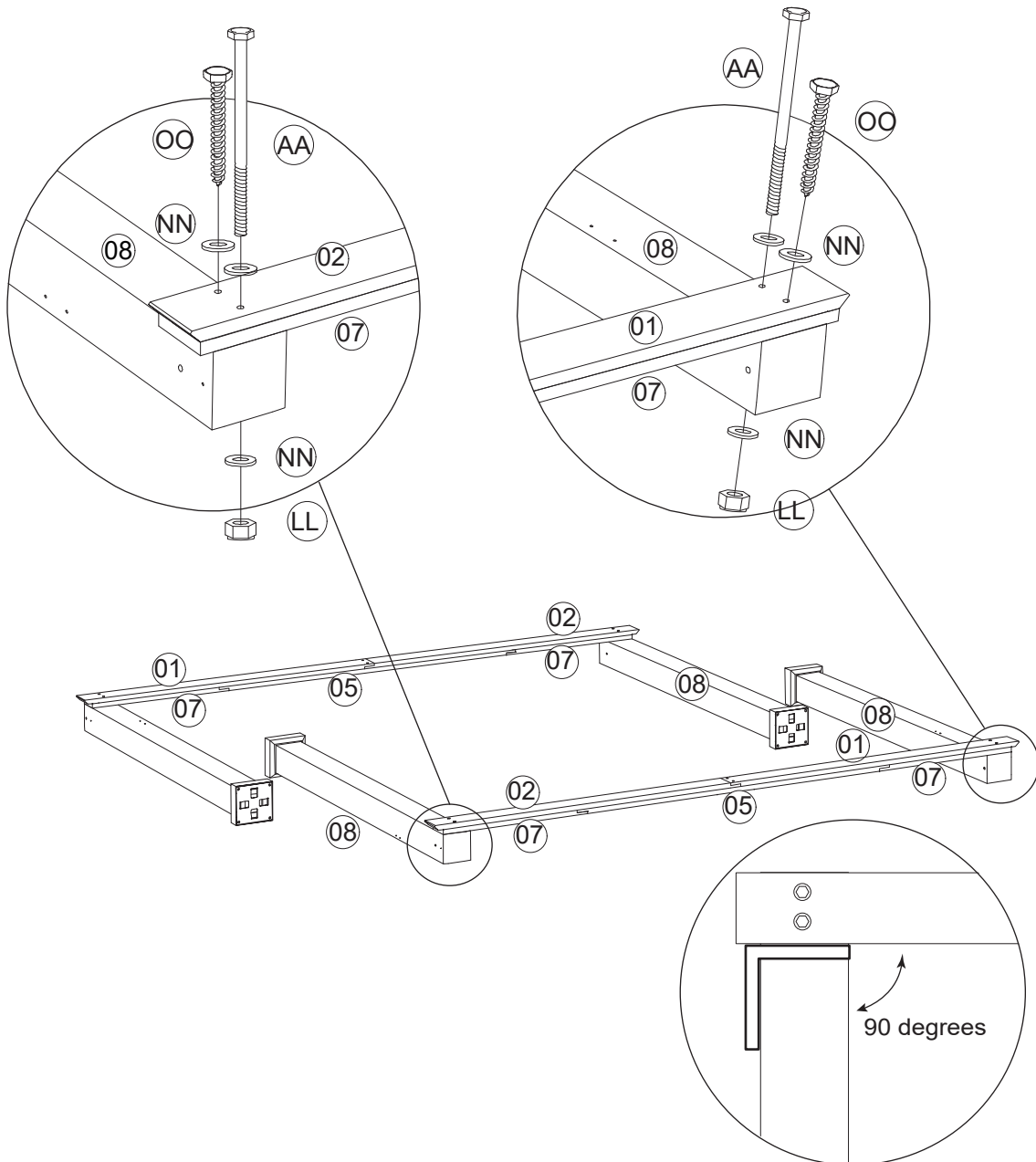
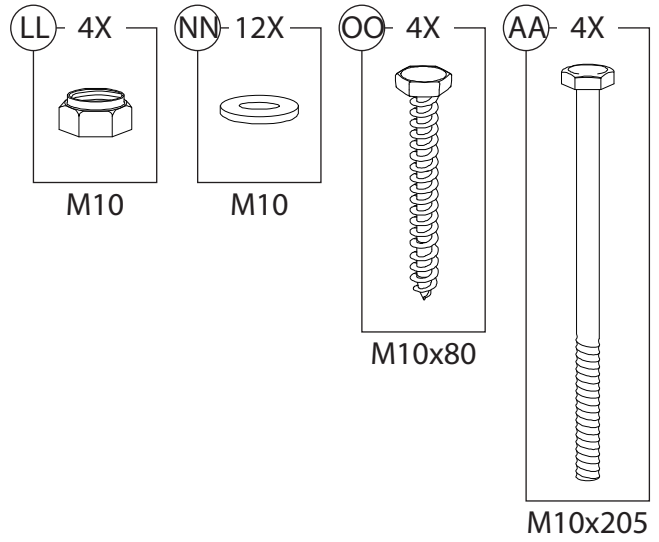
# Step 4



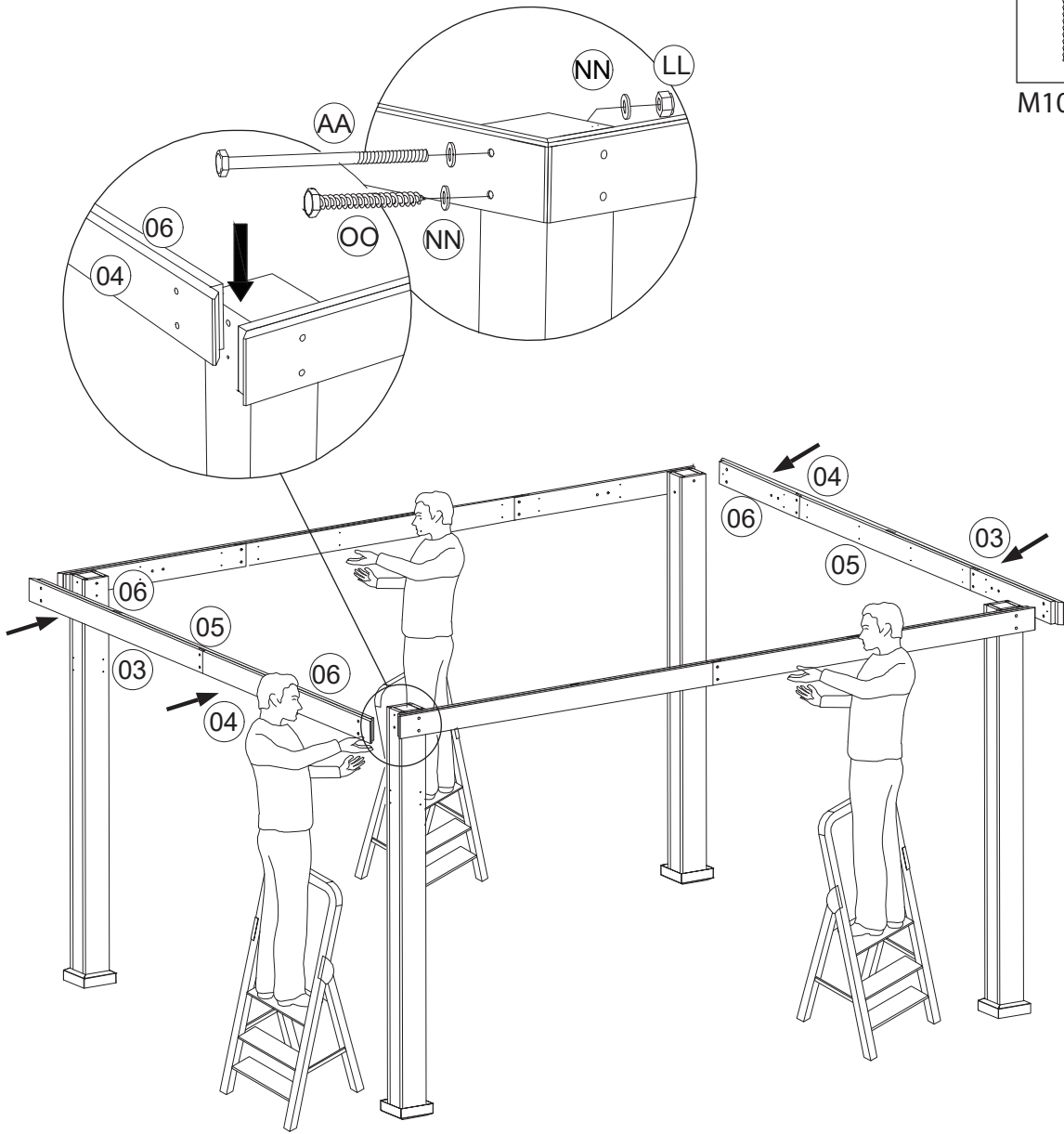
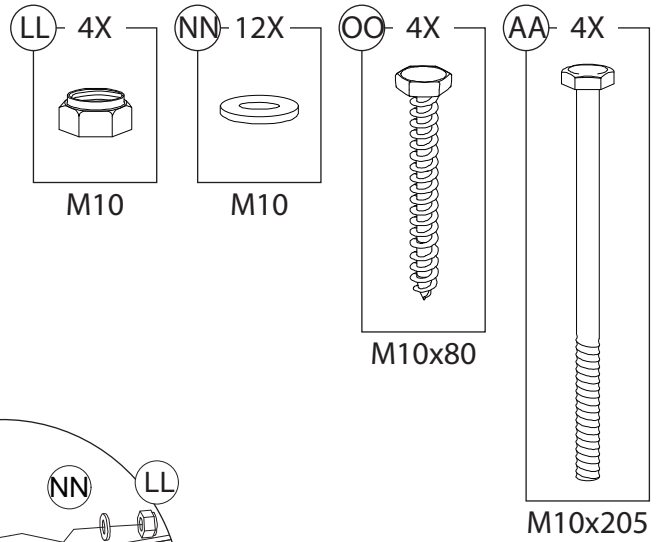
Step 5



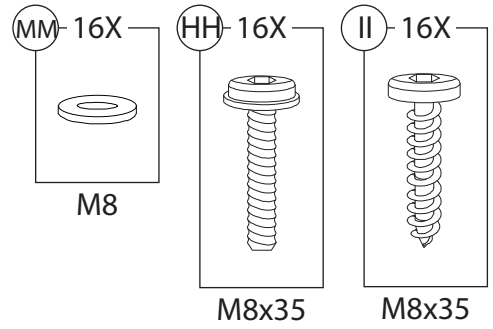
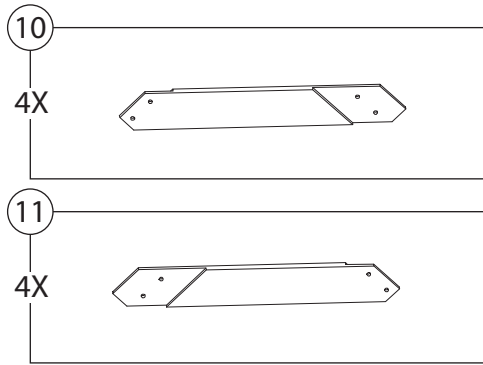
# Step 6



# Step 7



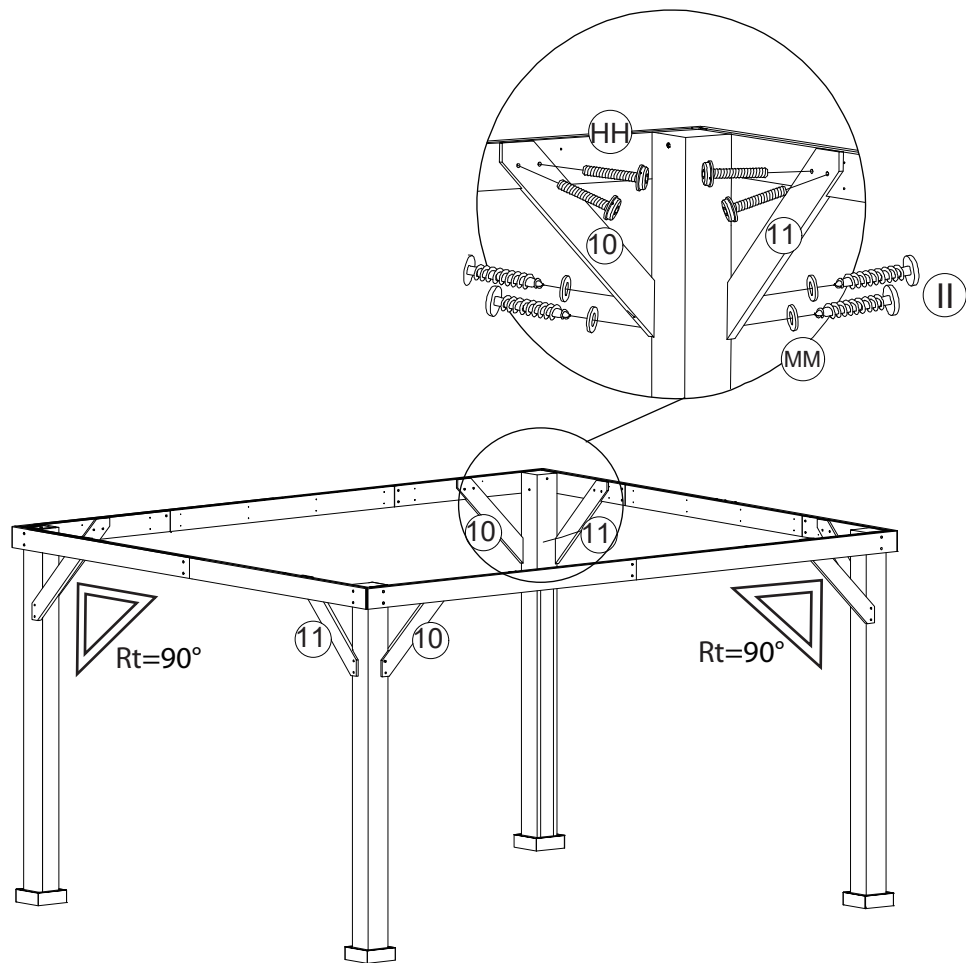
# Step 8



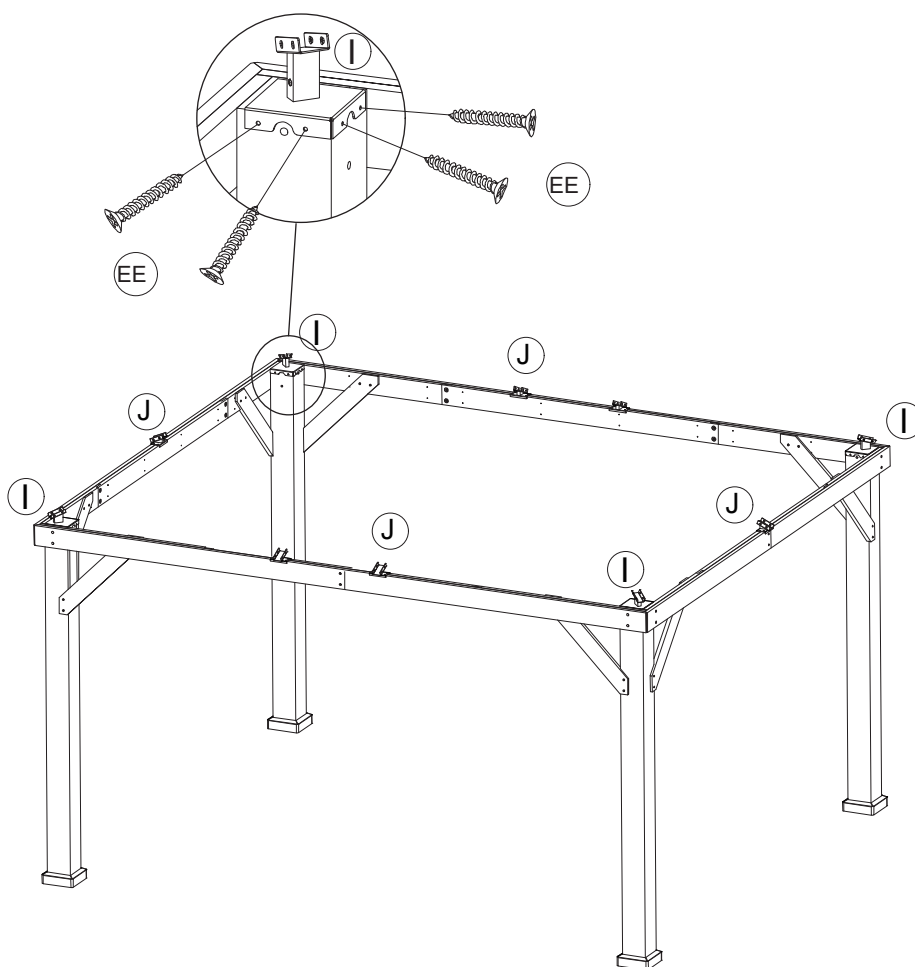
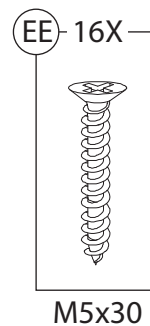
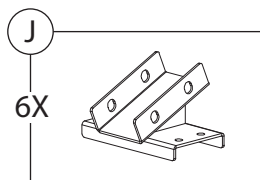
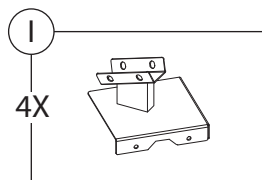
Before proceeding with Step 8 ensure that the frame is square by ensuring the diagonal dimensions are identical, the beams are level and that the posts are at 90 degree angles to the beams and are plumb.

**Important**

i d1=d2

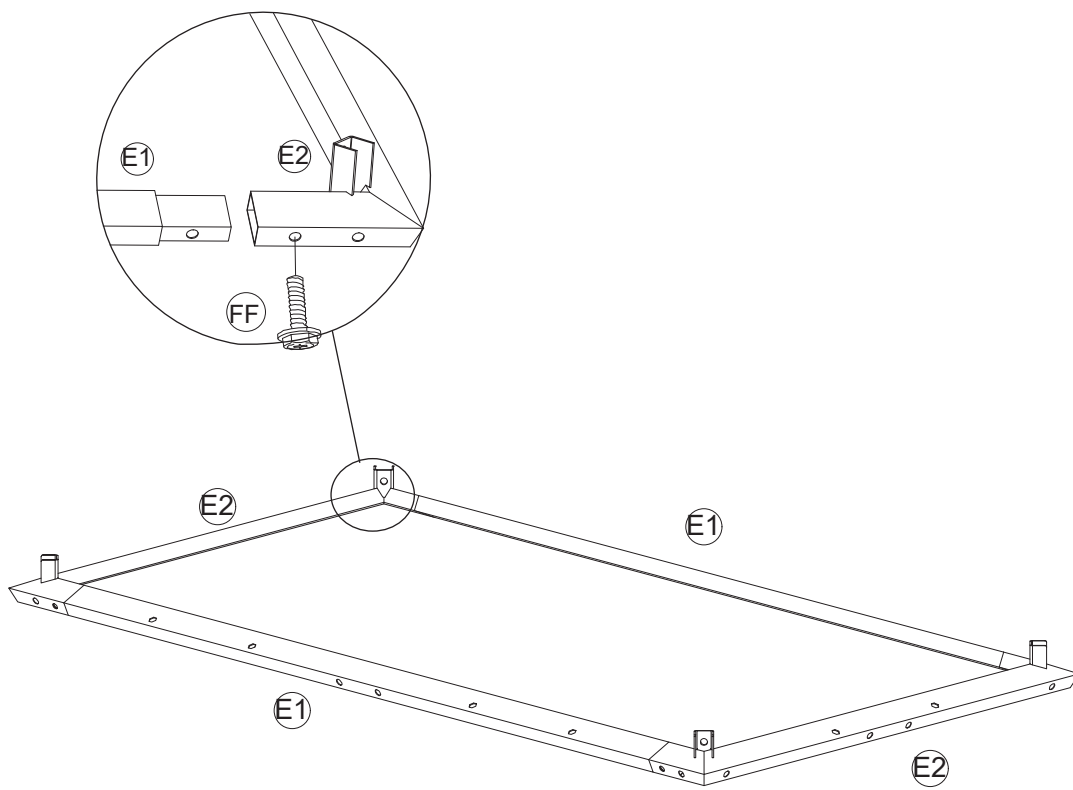
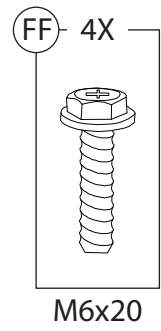
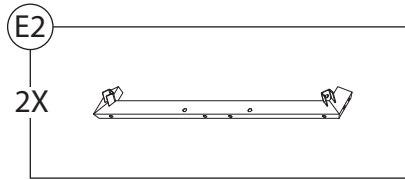
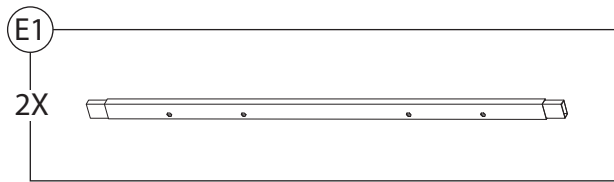


## Step 9

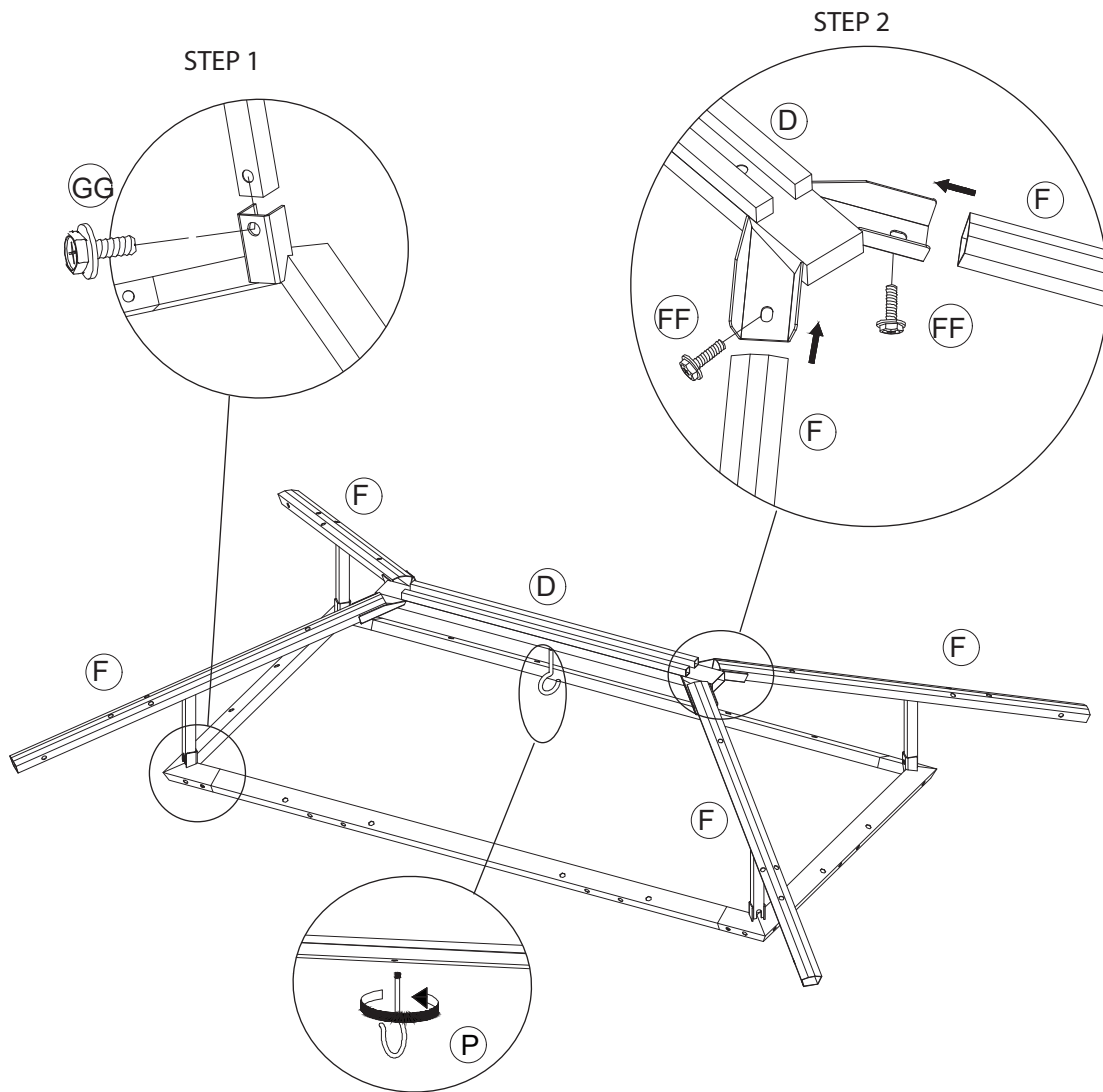
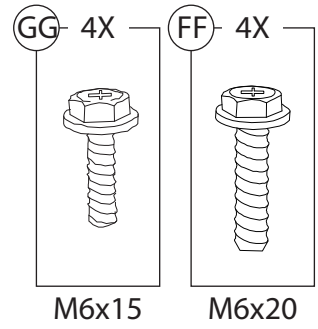
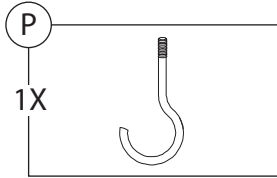
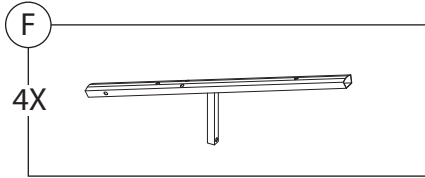
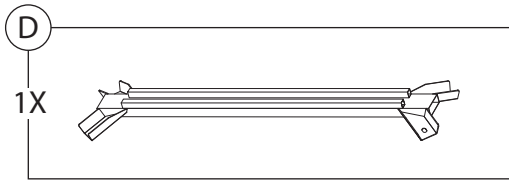


Attention:  
Put part J on the beam without screw fixation.

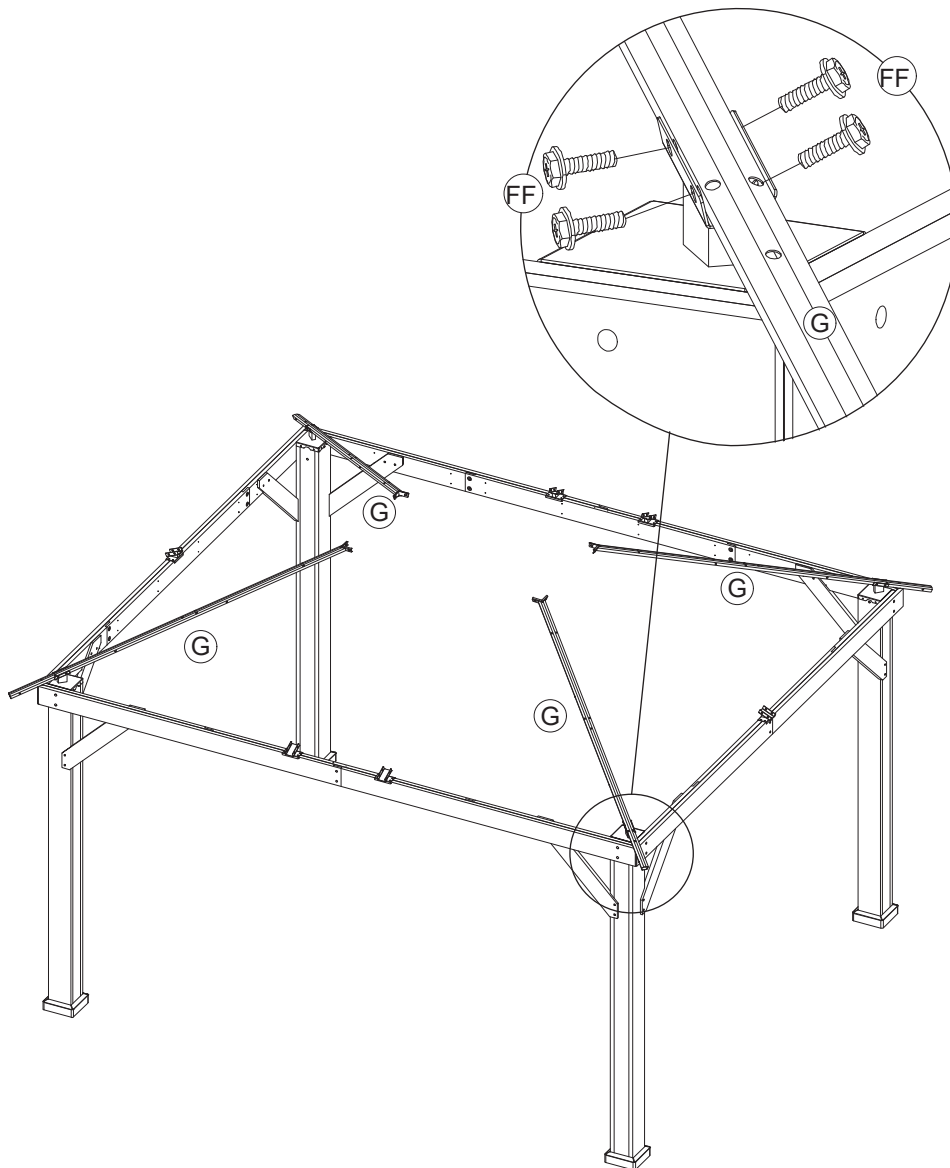
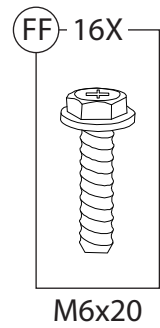
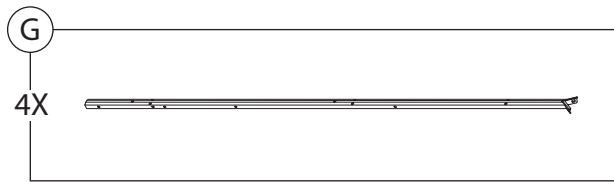
# Step 10



# Step 11



## Step 12

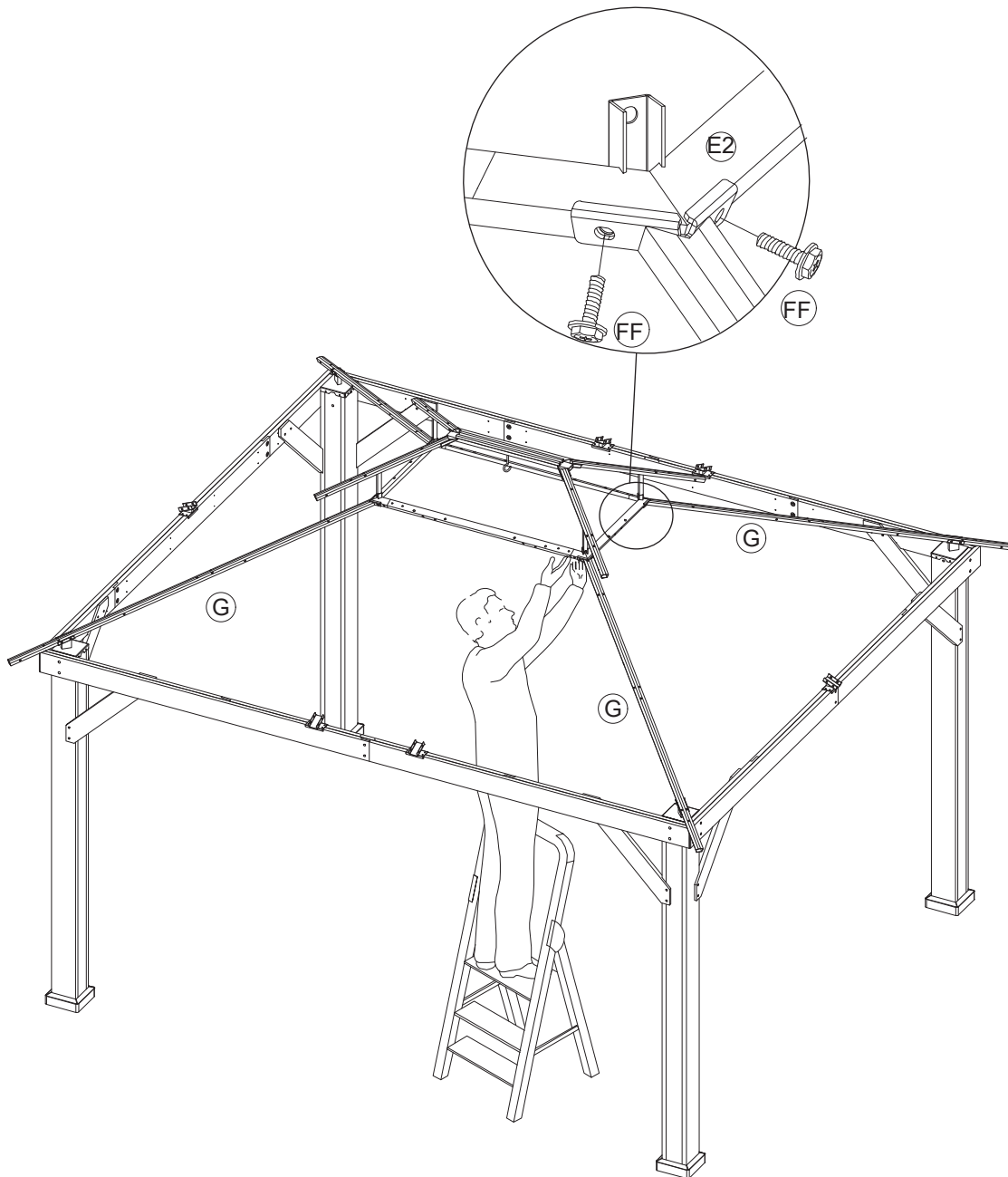
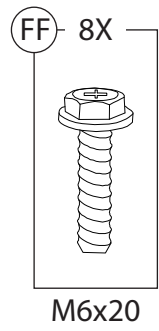
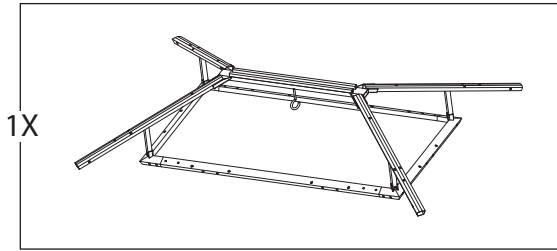


**Attention:**

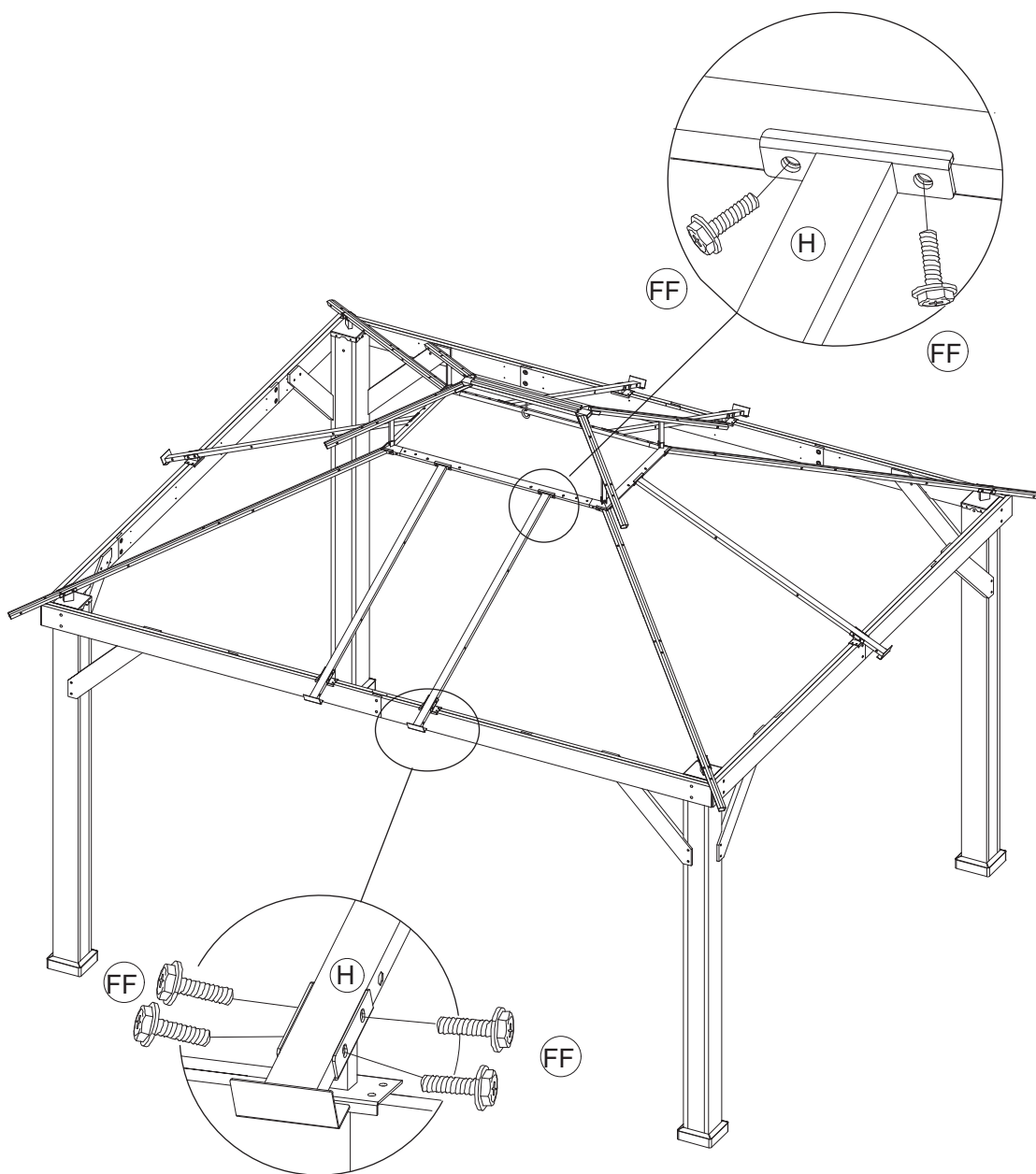
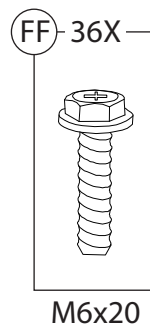
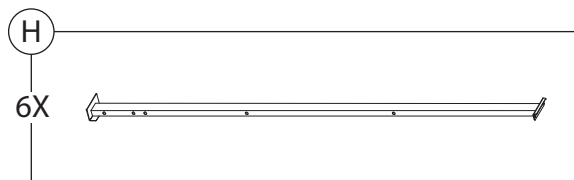
Please double check that all screws have been secured properly.

Or there will be a risk of falling.

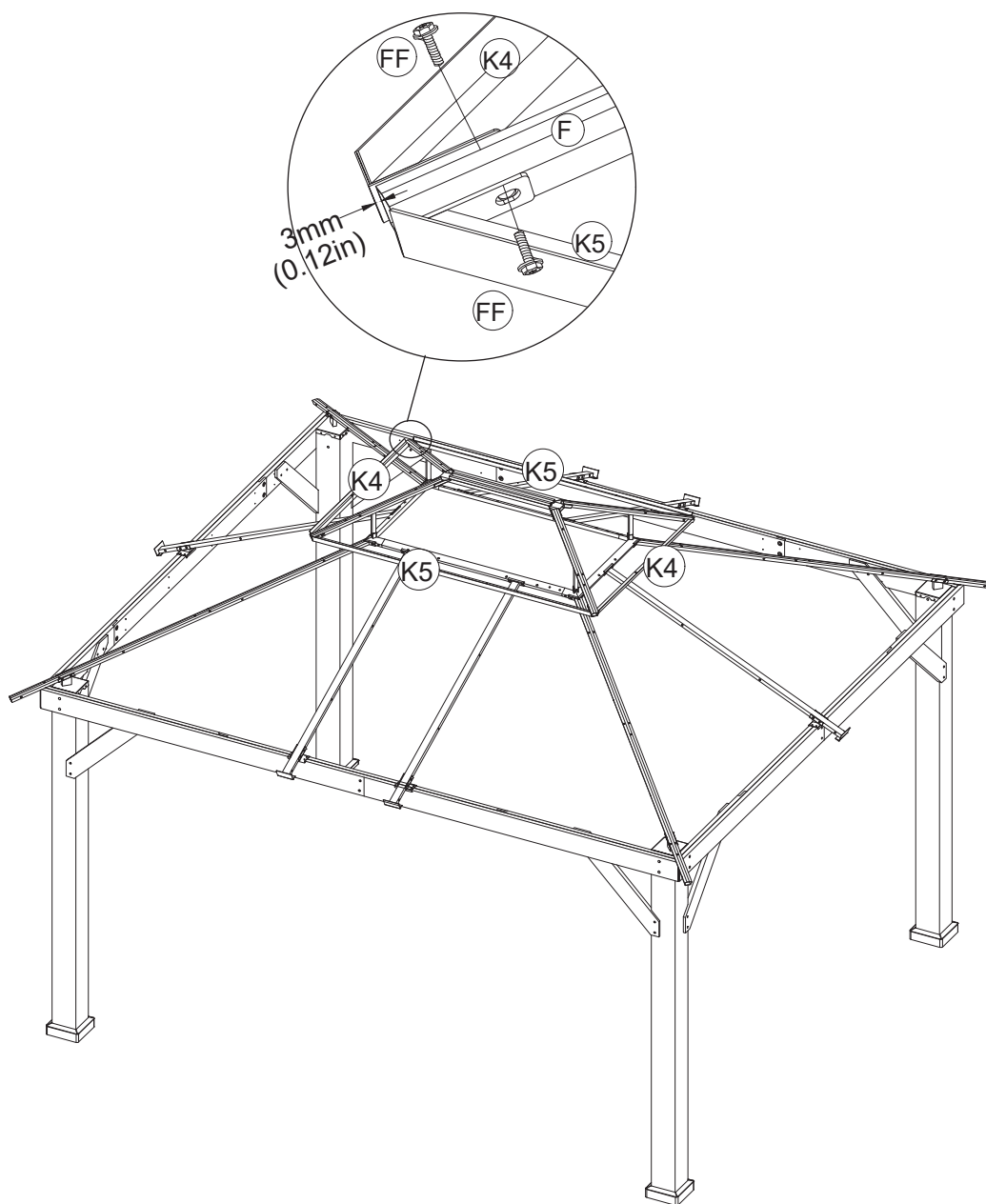
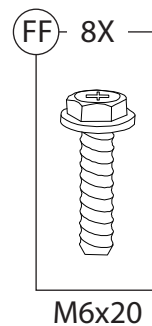
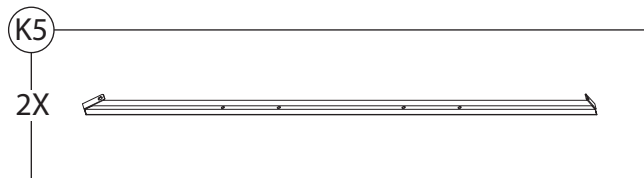
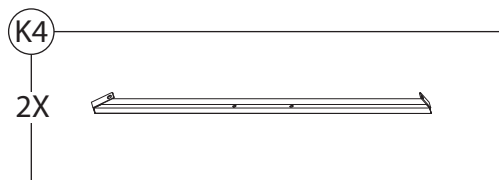
# Step 13



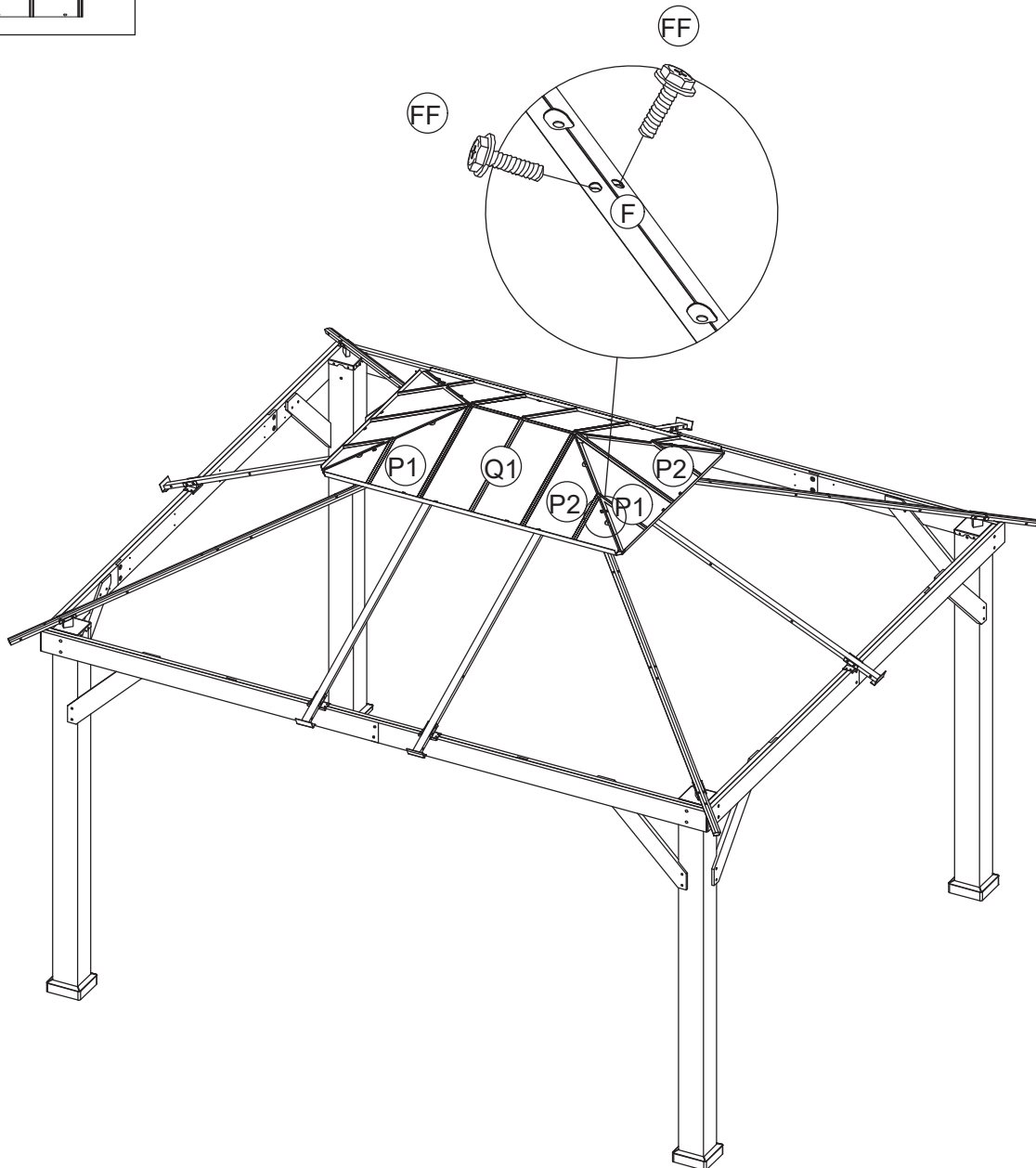
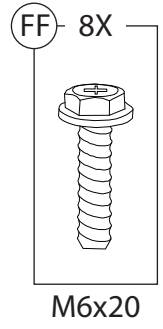
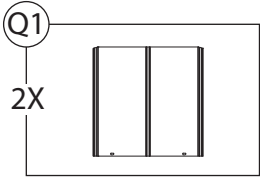
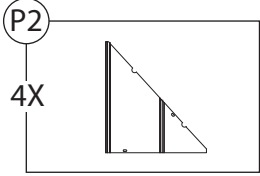
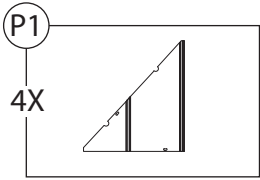
# Step 14



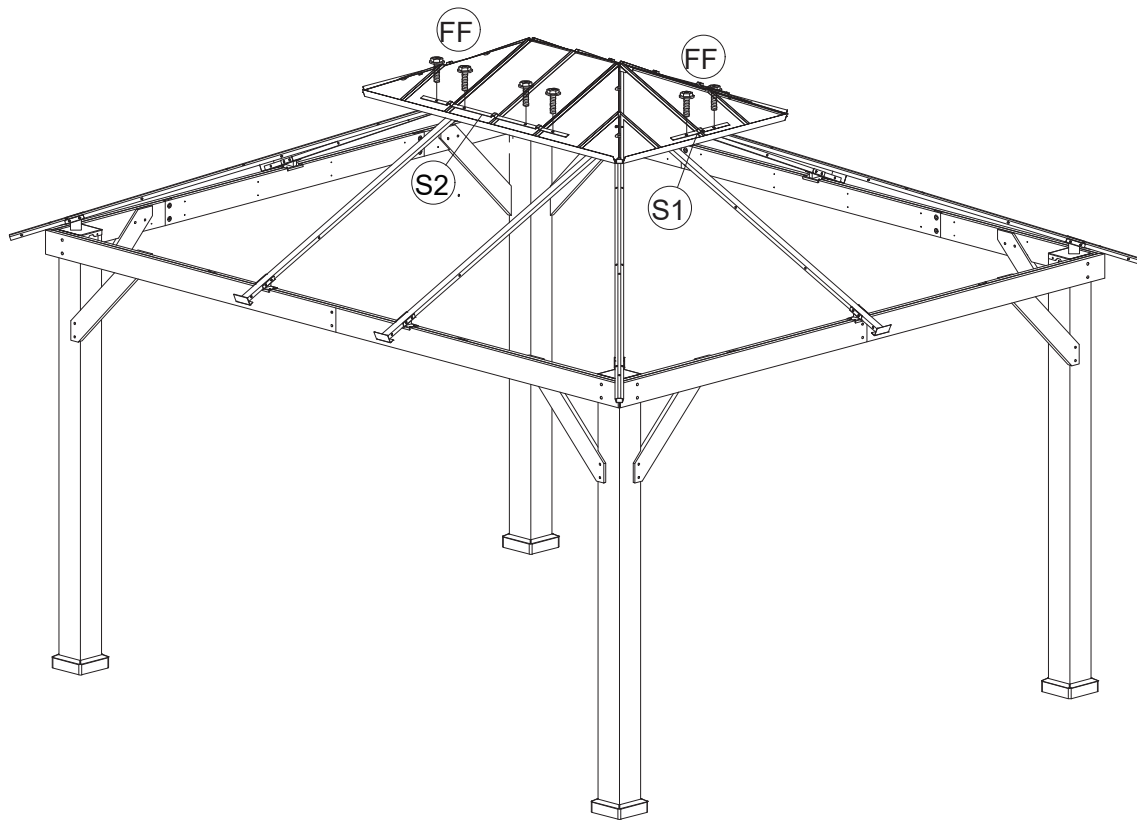
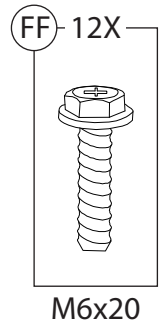
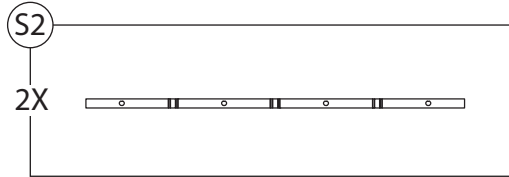
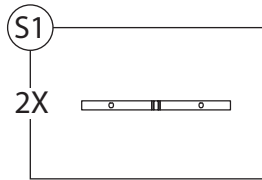
# Step 15



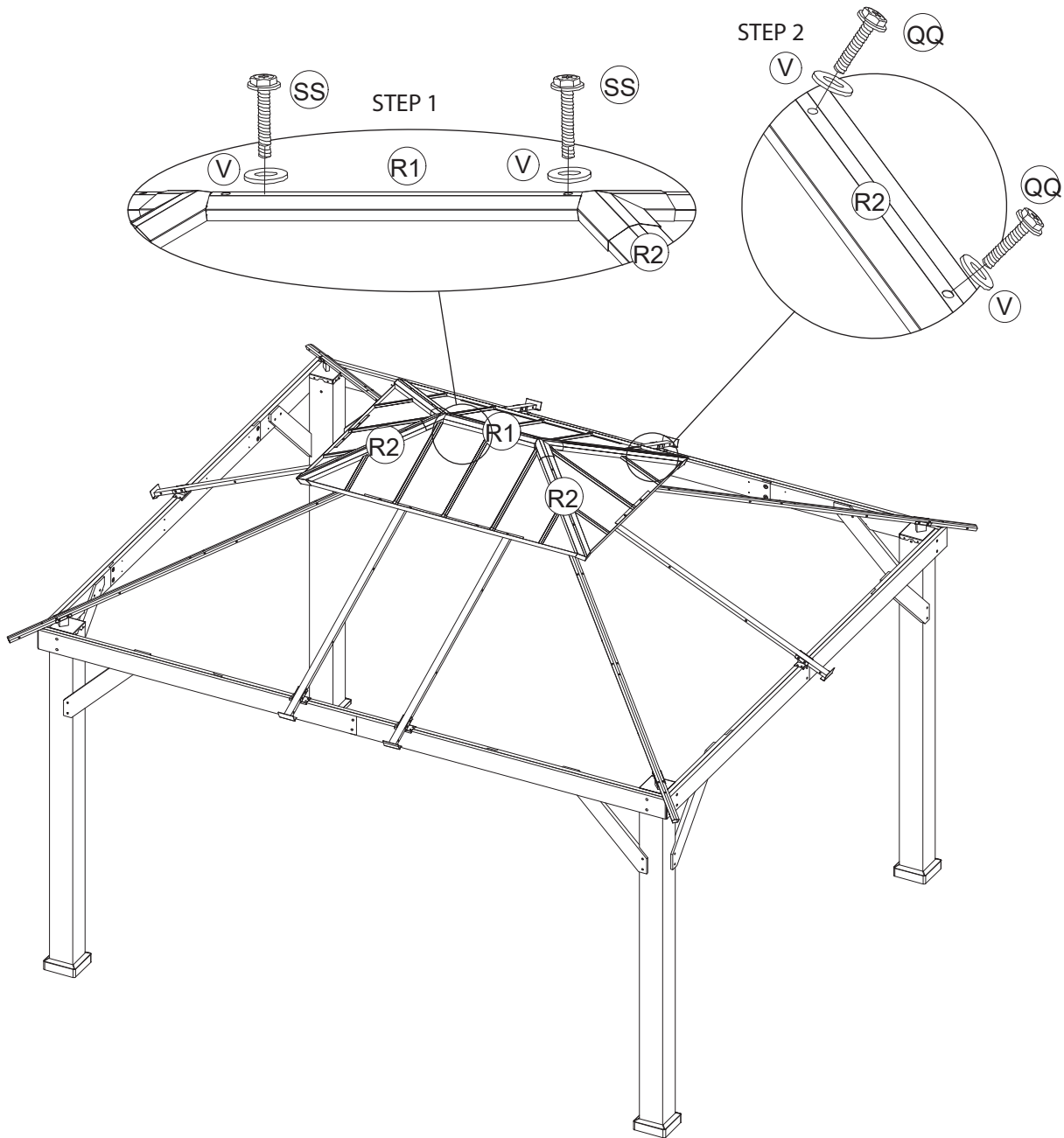
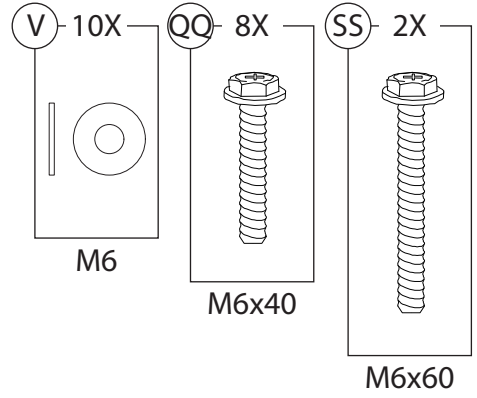
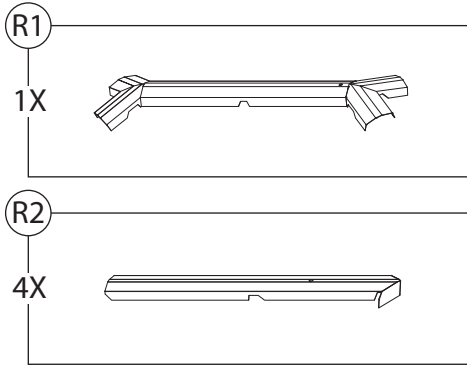
# Step 16



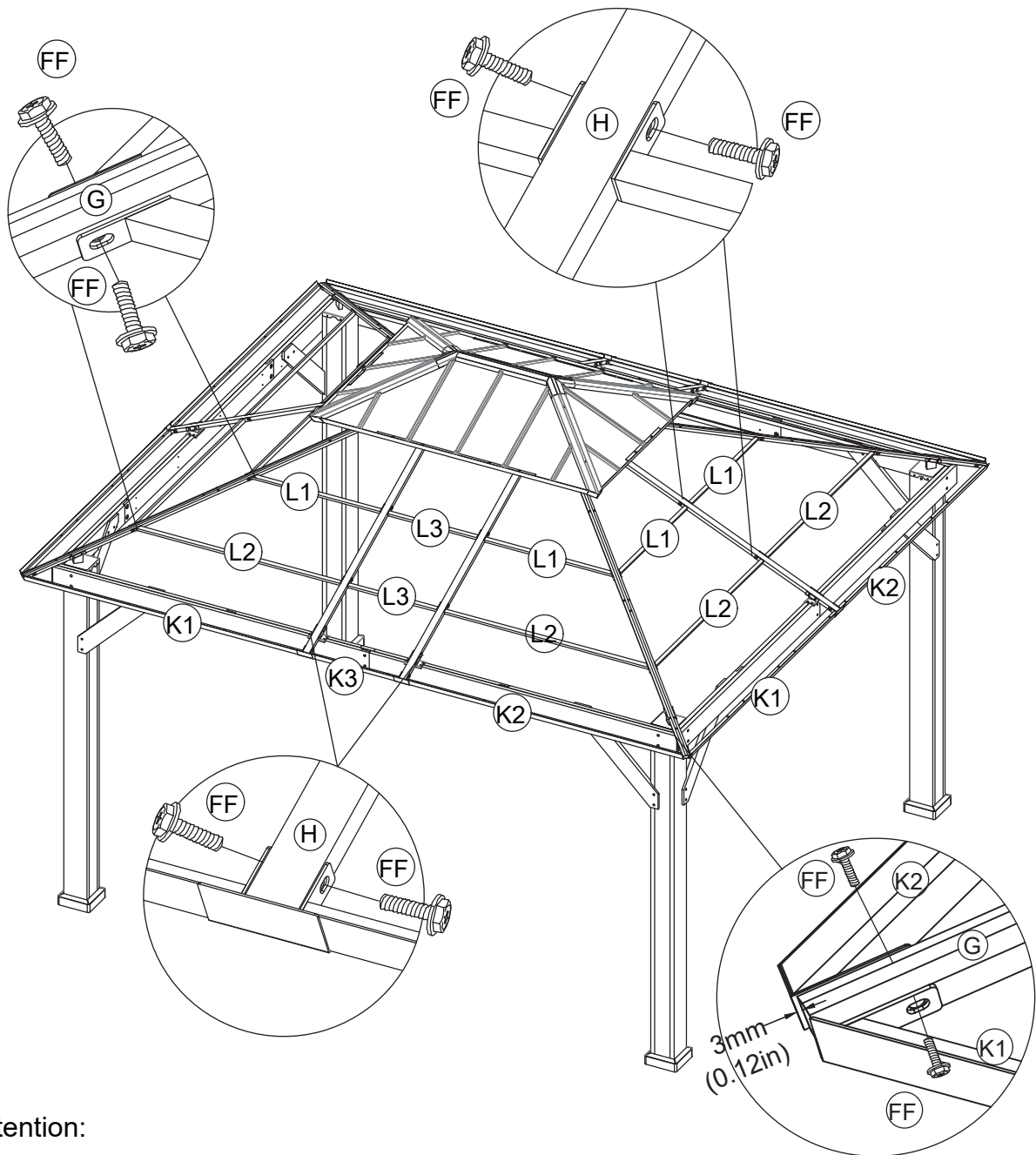
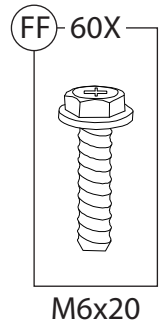
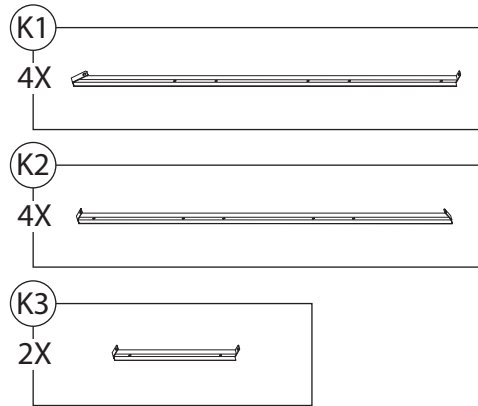
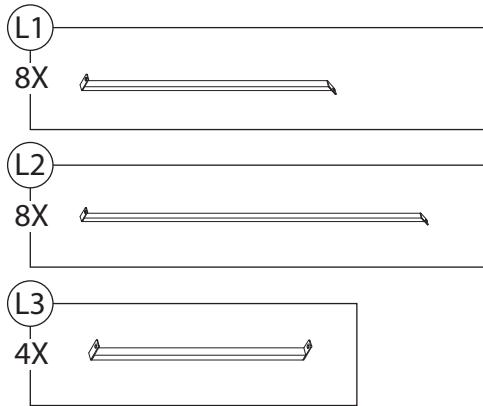
# Step 17



# Step 18



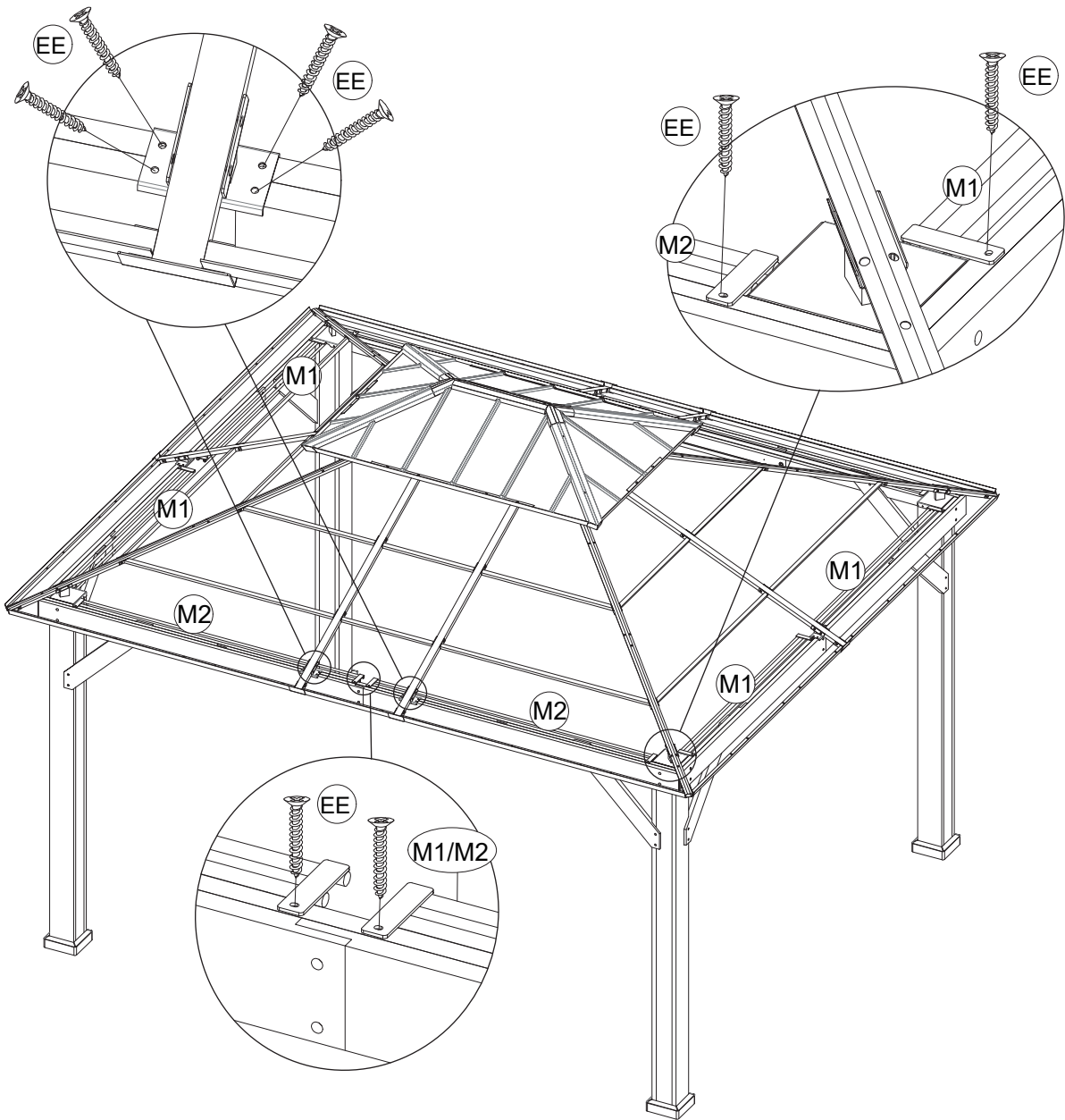
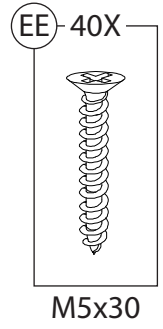
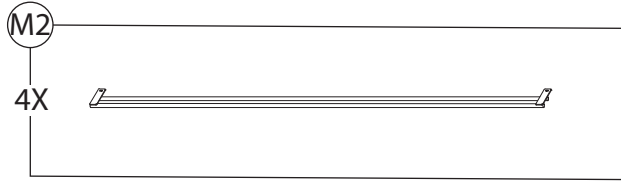
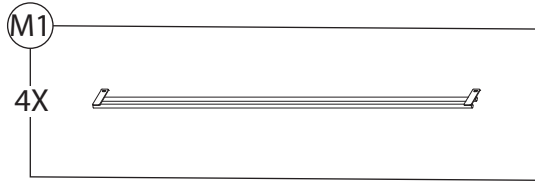
# Step 19



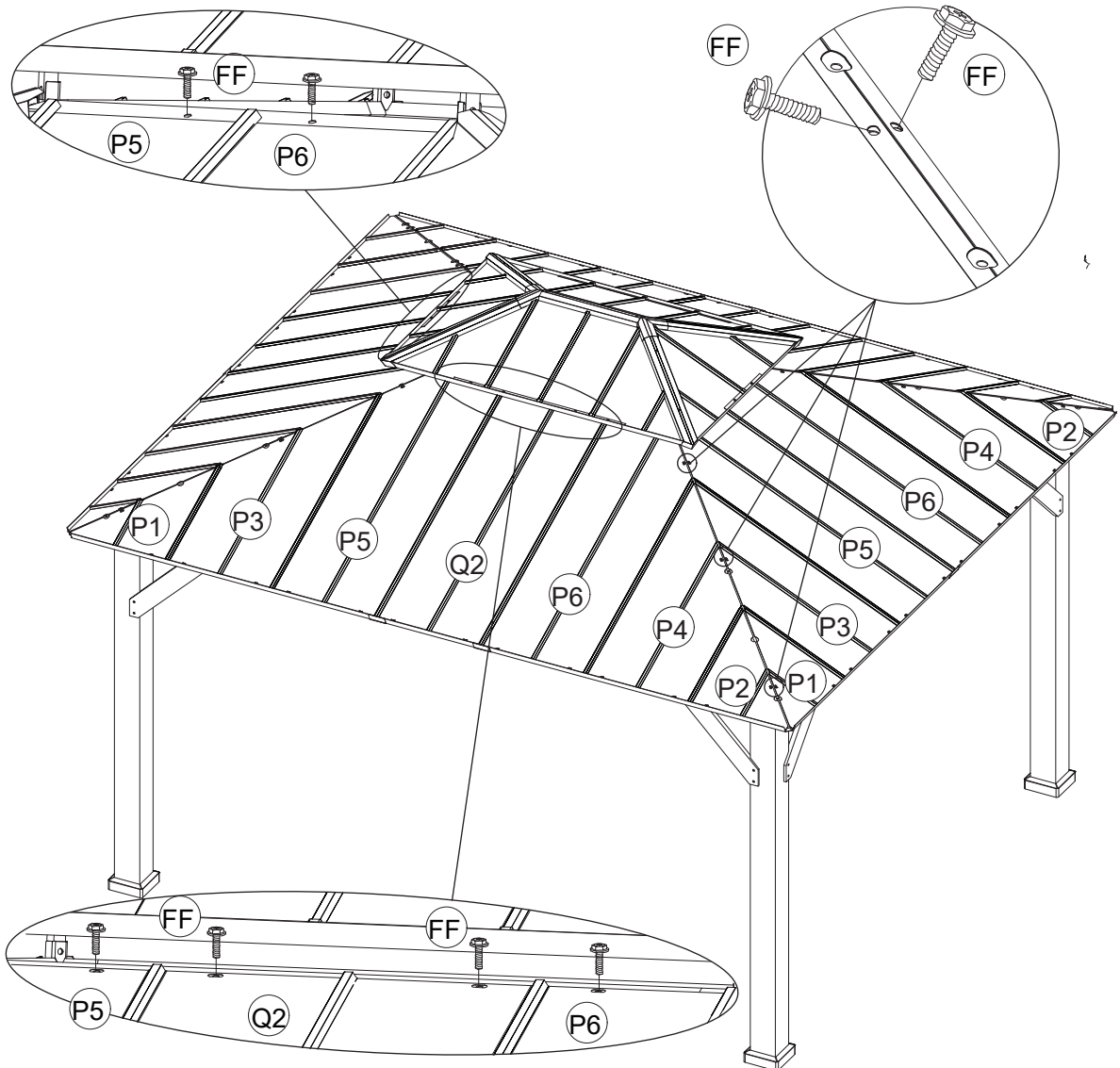
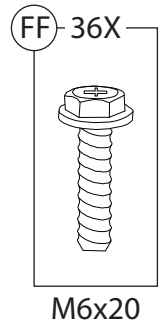
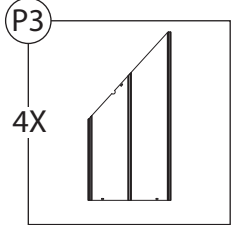
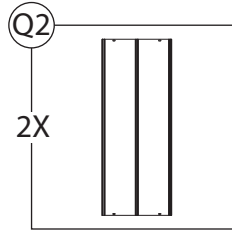
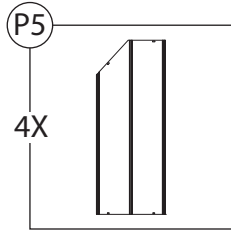
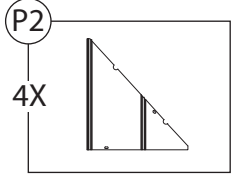
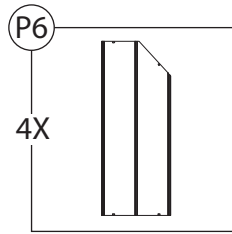
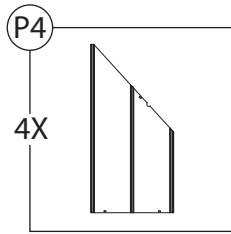
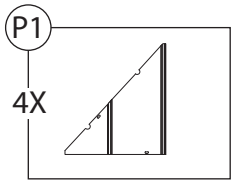
**Attention:**

If the #L1, #L2, #L3, #K1, #K2, #K3 can not be matched perfectly, you could tap the #H slight to adjust.

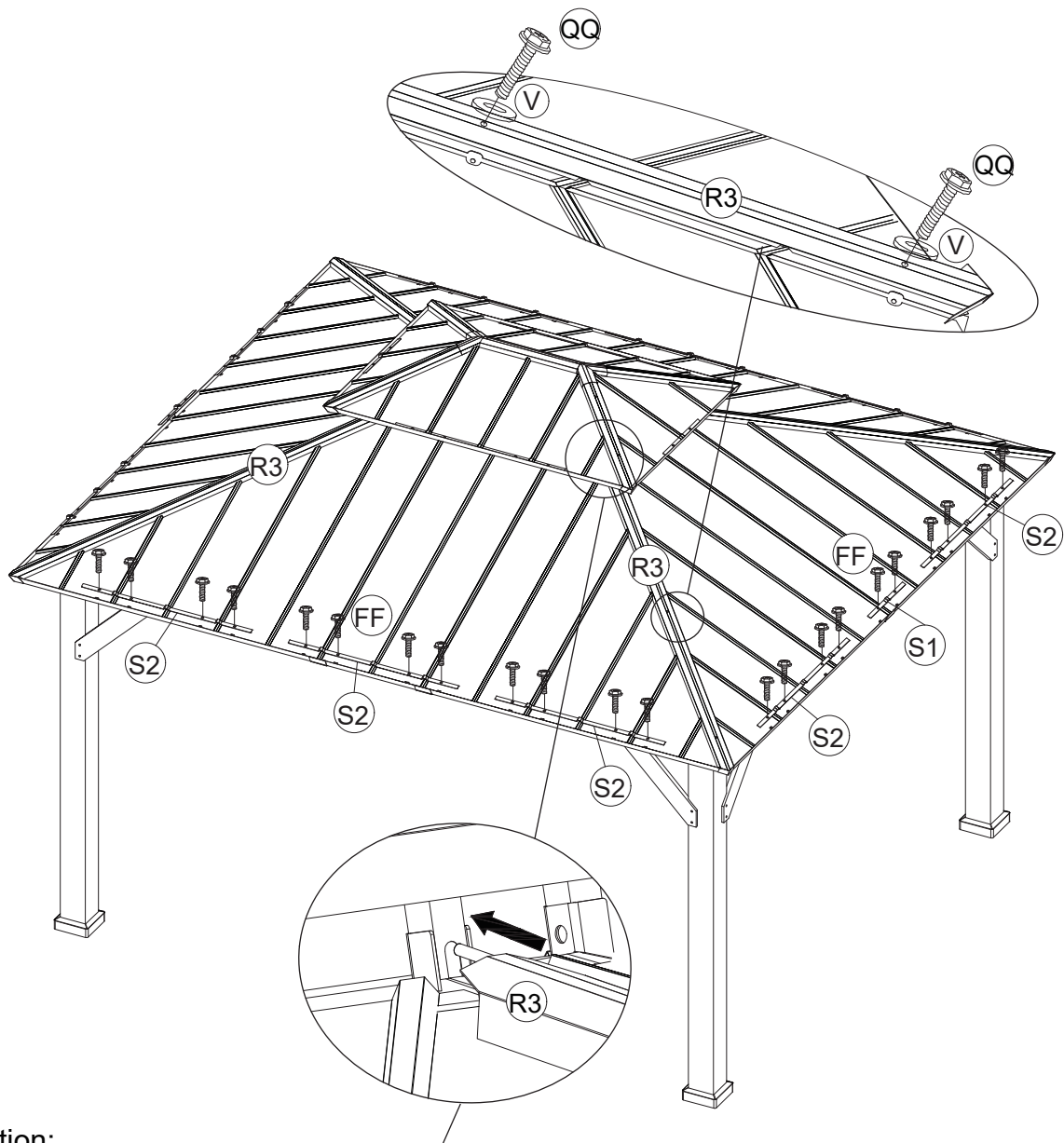
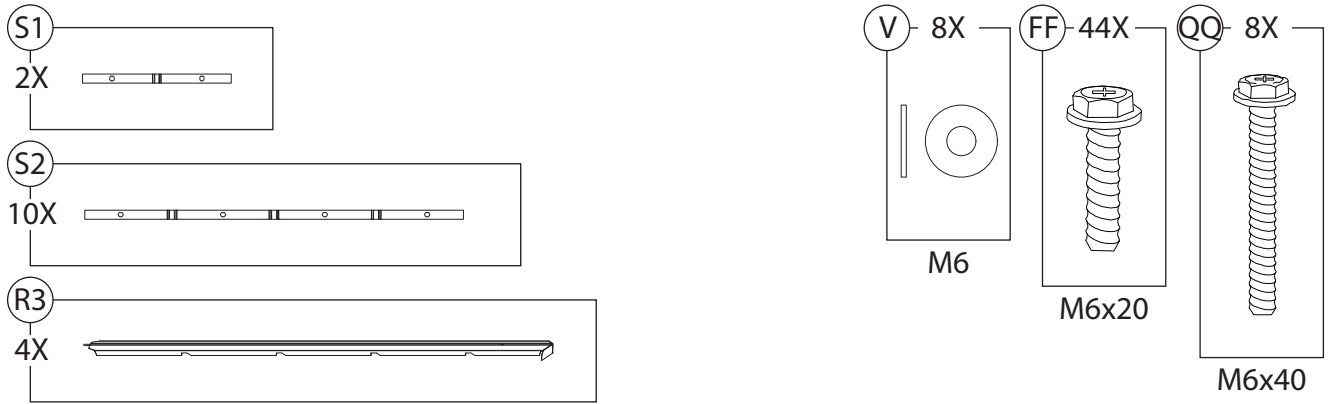
# Step 20



# Step 21



## Step 22



Attention:

Please assemble #R3 to the middle area between the top roof and big roof inside the gazebo.

# Step 23

