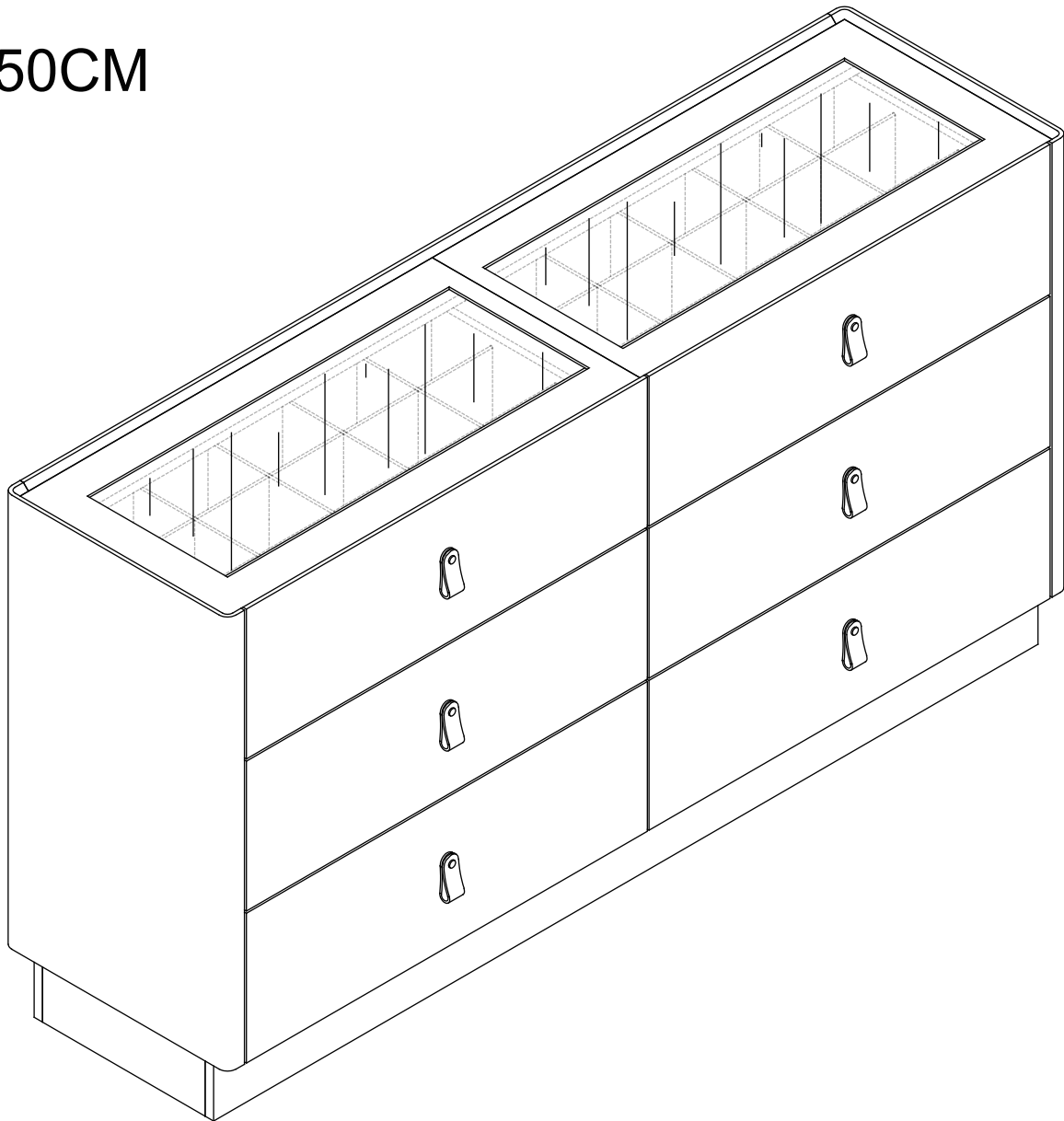
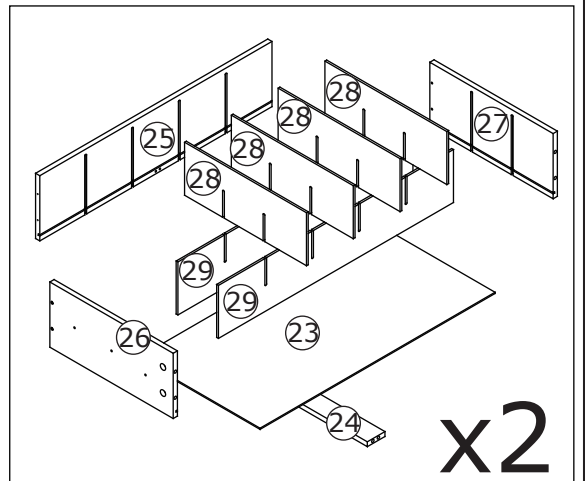
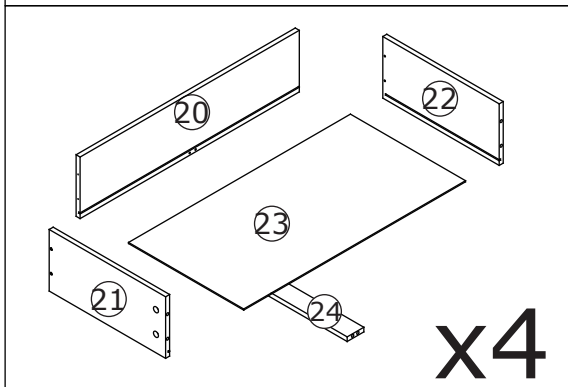
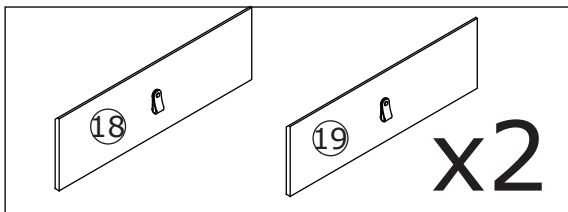
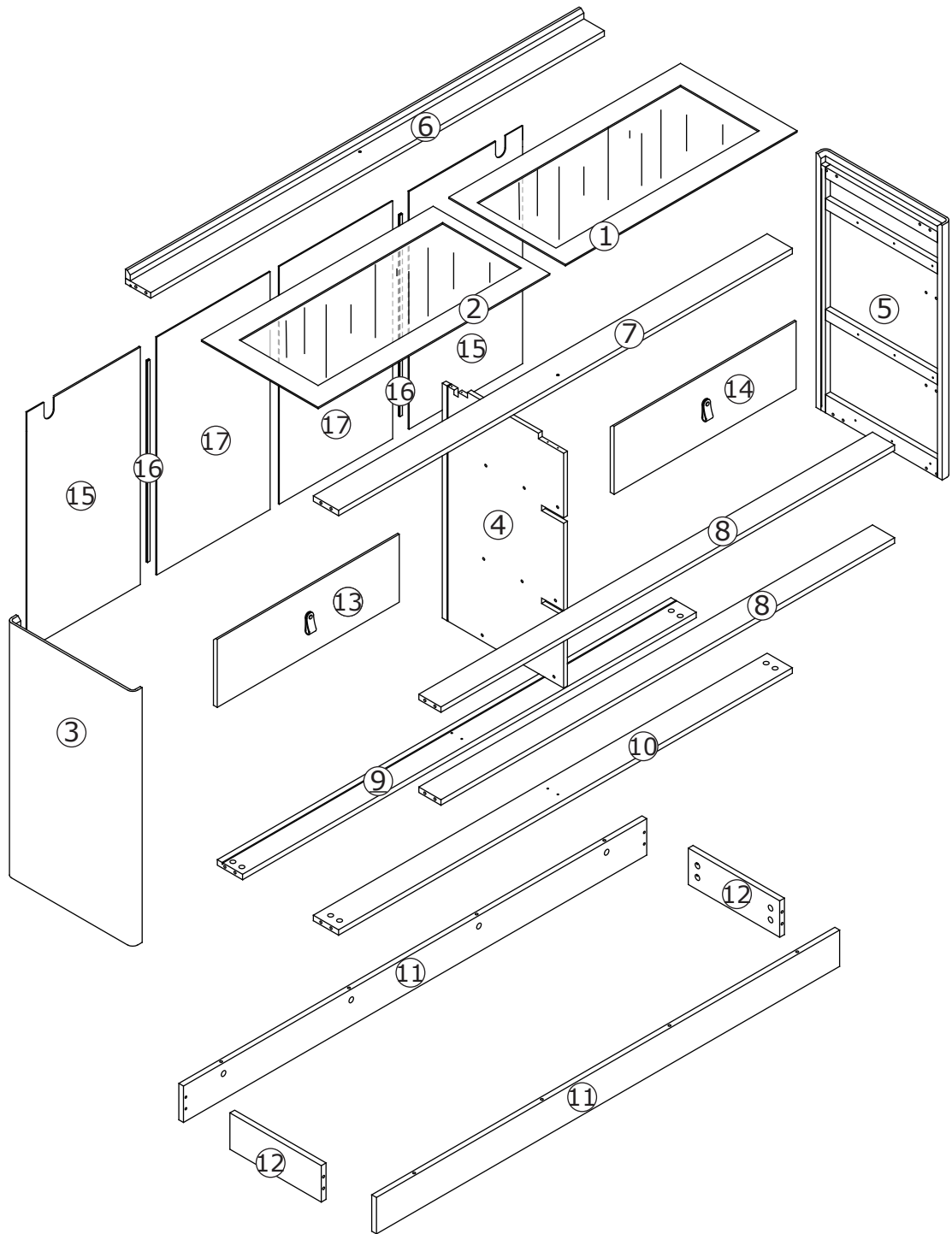


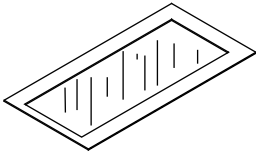
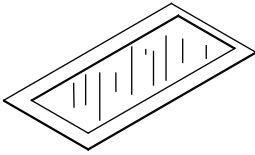
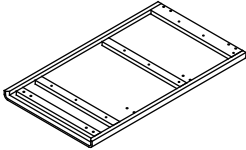
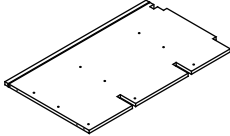
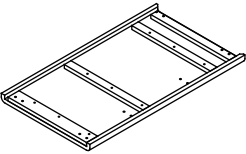
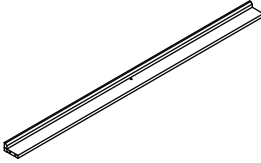
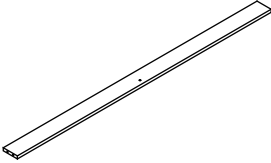
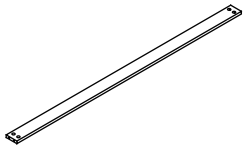
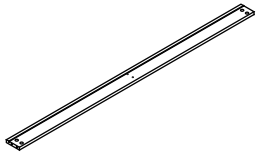
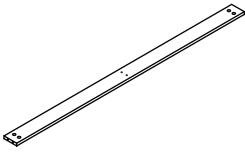
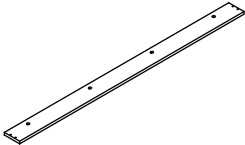
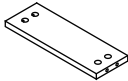
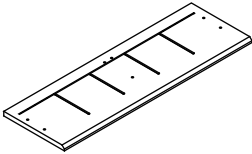
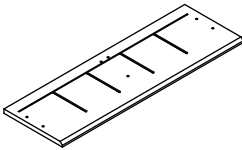
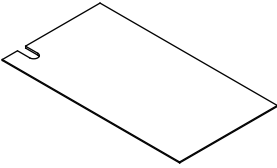
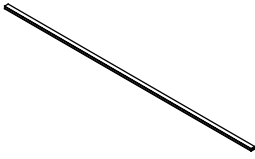
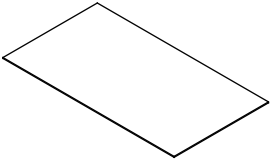
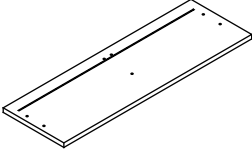
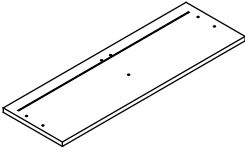
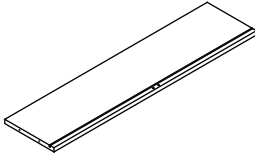
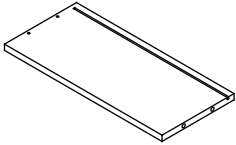
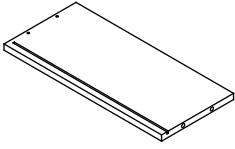
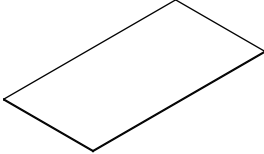
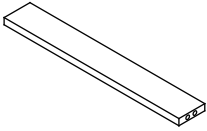
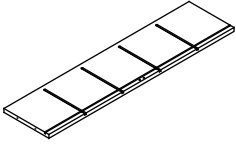
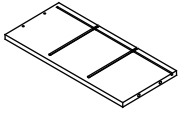
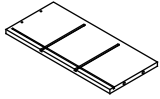
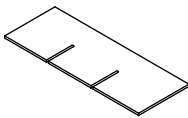
Installation & Assembly

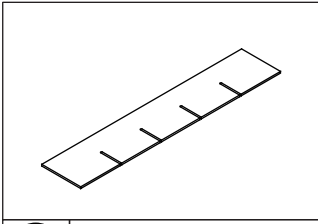
150CM





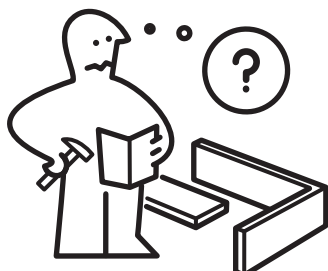
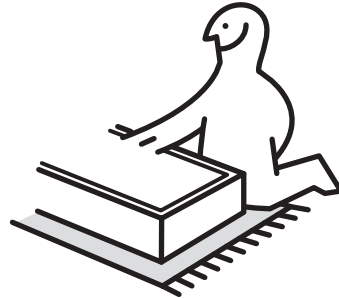
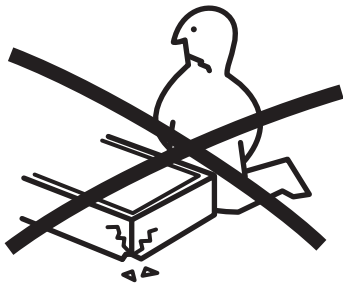
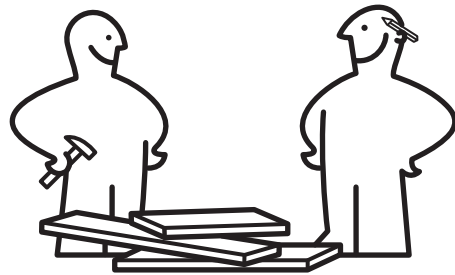
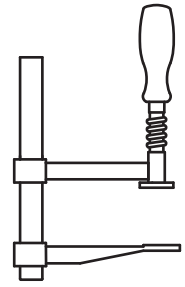
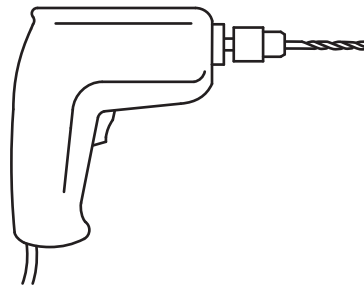
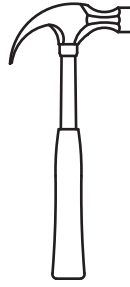
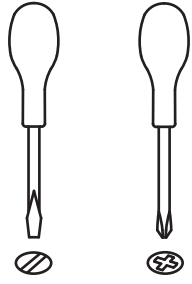
Parts and Operation Elements

| | | | |
|---|---|--|---|
|  |  |  |  |
| ① 1pc | ② 1pc | ③ 1pc | ④ 1pc |
|  |  |  |  |
| ⑤ 1pc | ⑥ 1pc | ⑦ 1pc | ⑧ 2pcs |
|  |  |  |  |
| ⑨ 1pc | ⑩ 1pc | ⑪ 2pcs | ⑫ 2pcs |
|  |  |  |  |
| ⑬ 1pc | ⑭ 1pc | ⑮ 2pcs | ⑯ 2pcs |
|  |  |  |  |
| ⑰ 2pcs | ⑱ 2pcs | ⑲ 2pcs | ⑳ 4pcs |
|  |  |  |  |
| ㉑ 4pcs | ㉒ 4pcs | ㉓ 6pcs | ㉔ 6pcs |
|  |  |  |  |
| ㉕ 2pcs | ㉖ 2pcs | ㉗ 2pcs | ㉘ 8pcs |

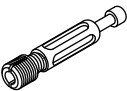


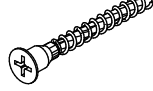


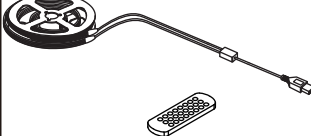
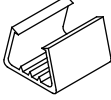
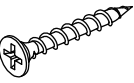
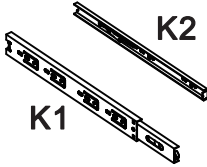
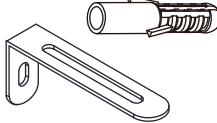

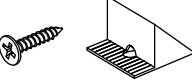



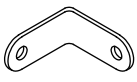

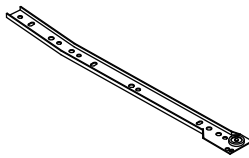
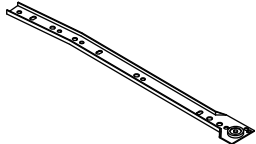
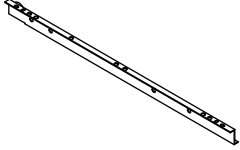
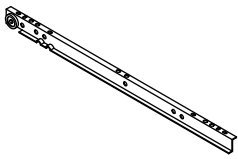


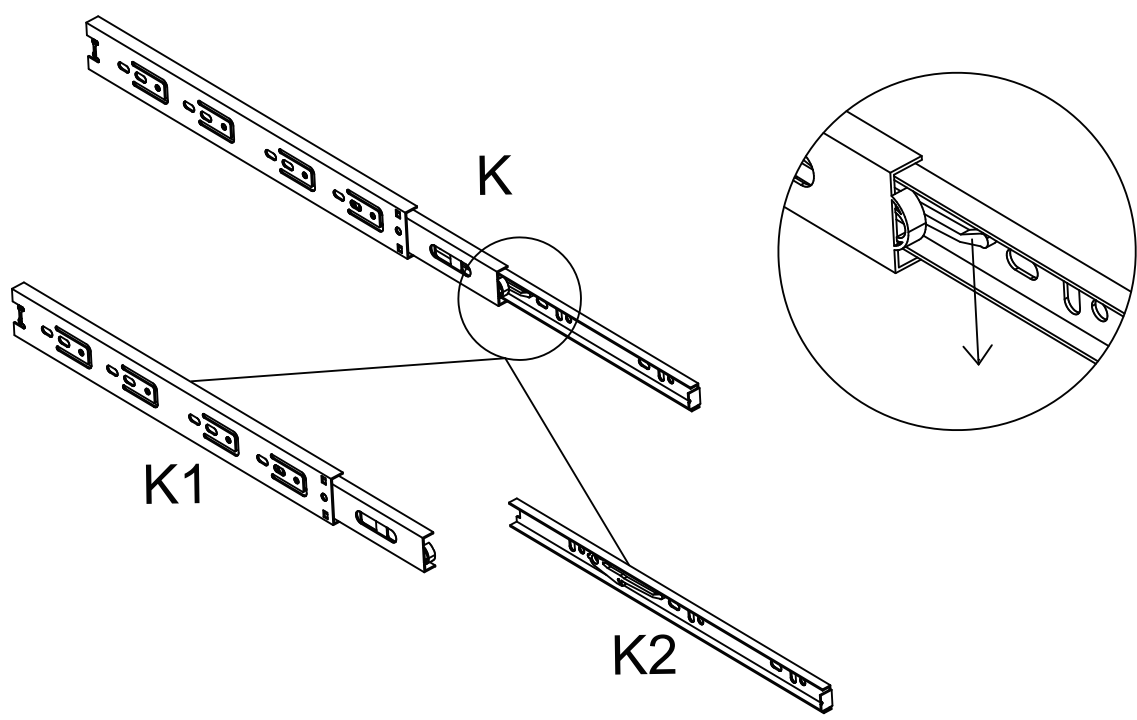
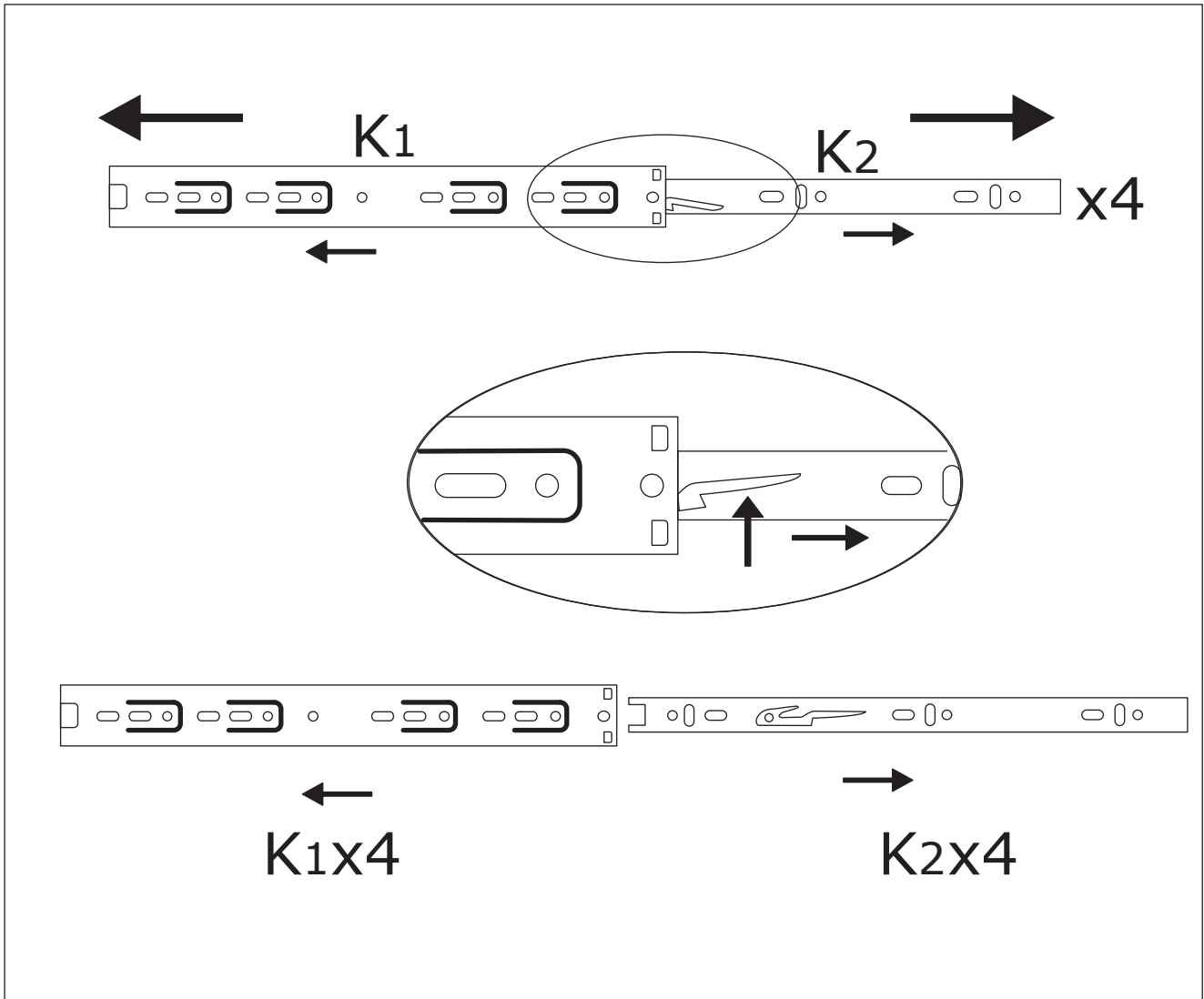
29

4pcs

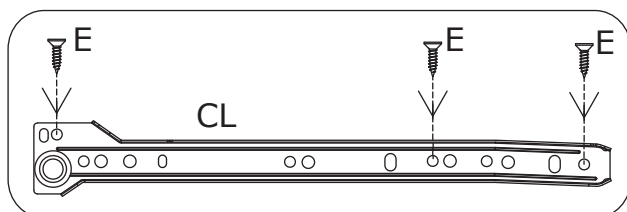
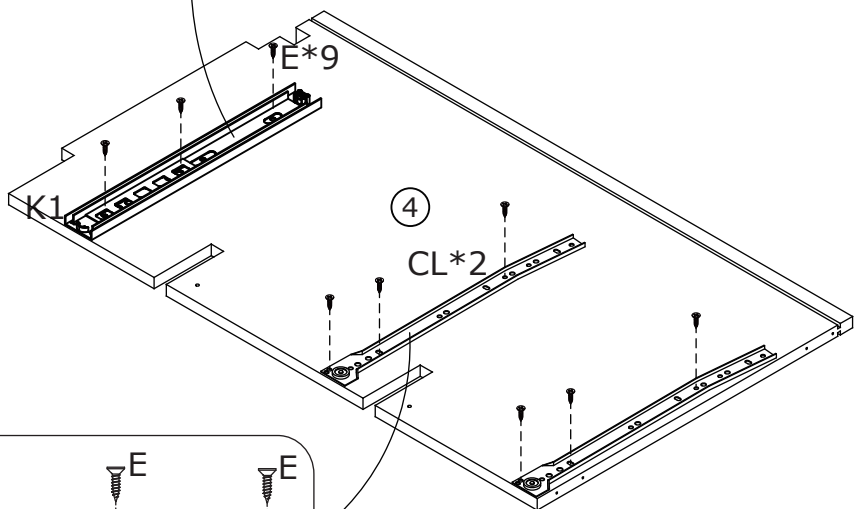
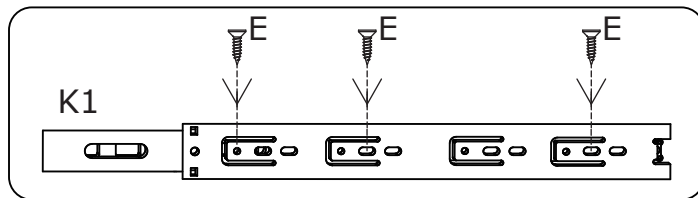
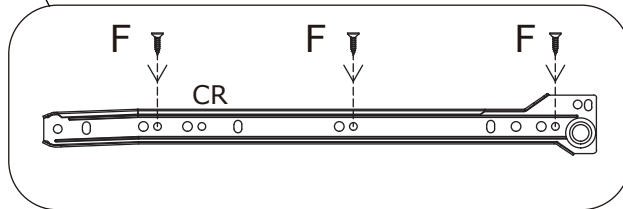
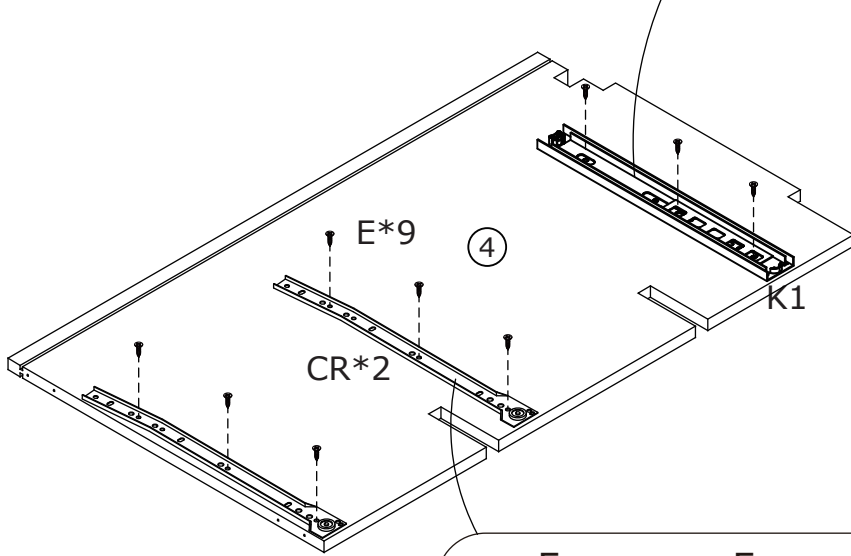
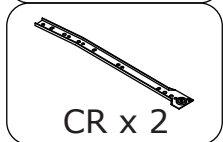
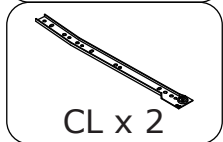
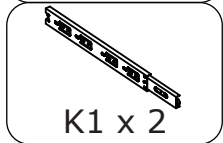
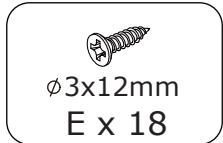
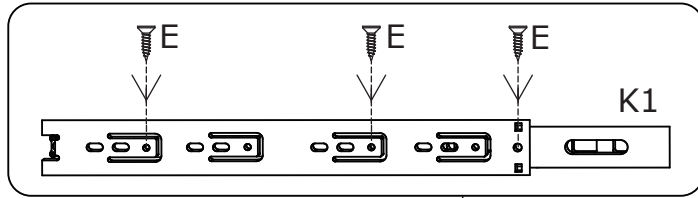


Hardware

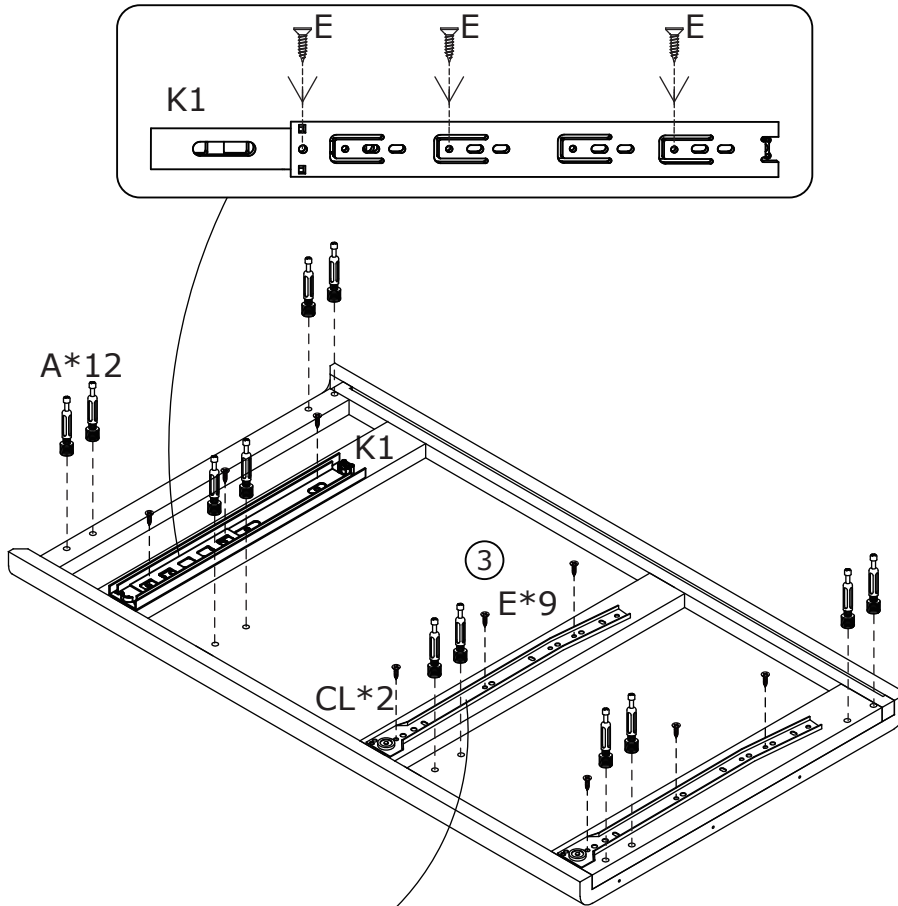
| | | | |
|--|---|---|--|
|  Cam Bolt |  Ø15x10mm Cam Lock |  M4x40mm Screw |  M5x40mm Screw |
| (A) 70pcs +2pcs | (B) 70pcs +2pcs | (C) 2pcs | (D) 6pcs |
|  M3x12mm Screw |  M4x14mm Screw |  |  |
| (E) 98pcs +2pcs | (F) 2pcs | (G) 1pc | (H) 22pcs +2pcs |
|  M4x35mm Screw |  K1 K2 |  |  |
| (J) 30pcs +2pcs | (K) 4pcs | (L) 2pcs | (N) 1pc |
|  M3x14mm Screw |  M4x10mm Screw |  Ø6x30mm Dowel |  |
| (P) 16pcs +2pcs | (Q) 6pcs | (R) 14pcs +2pcs | (T) 6pcs |
|  |  |  |  |
| (V) 2pcs | (W) 70pcs +2pcs | (CL) 4pcs | (CR) 4pcs |
|  |  | | |
| (DL) 4pcs | (DR) 4pcs | | |

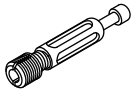


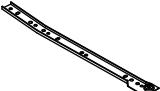
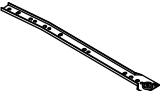


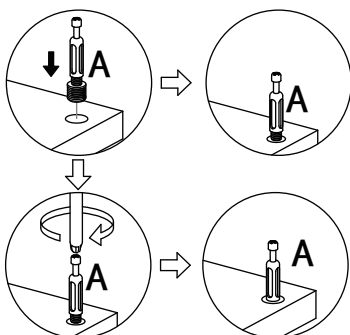
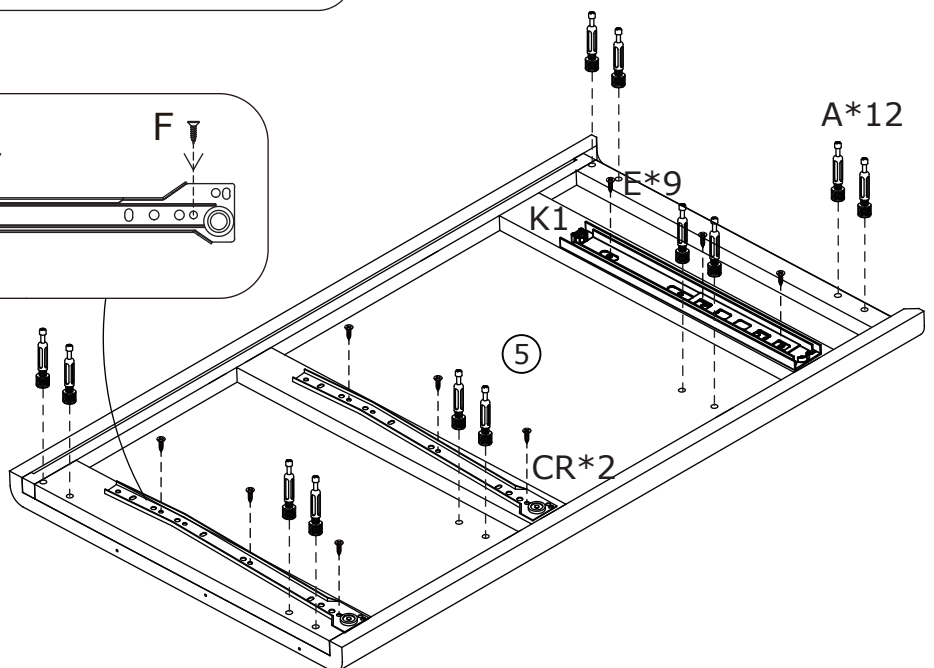
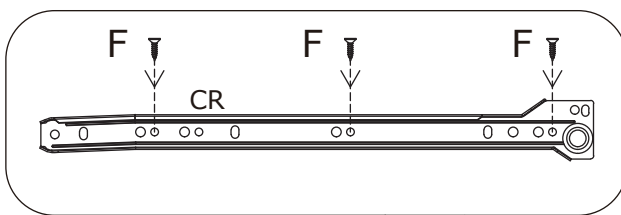
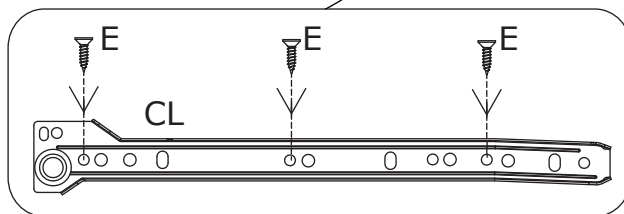
1



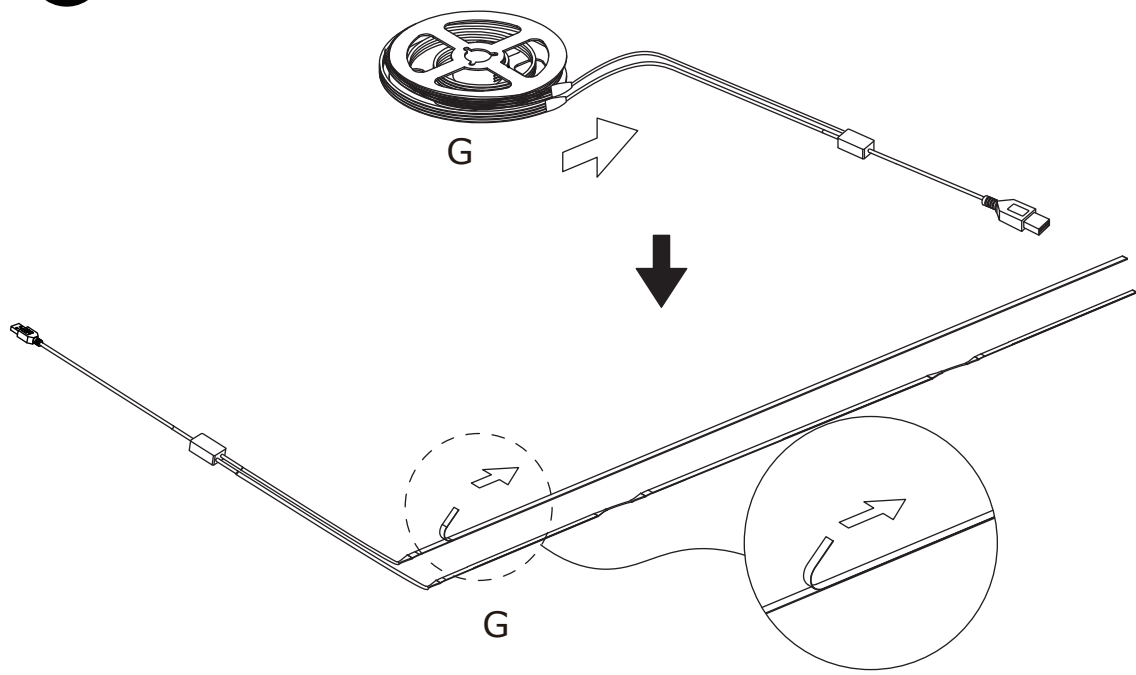
2



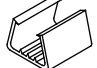
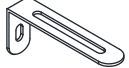



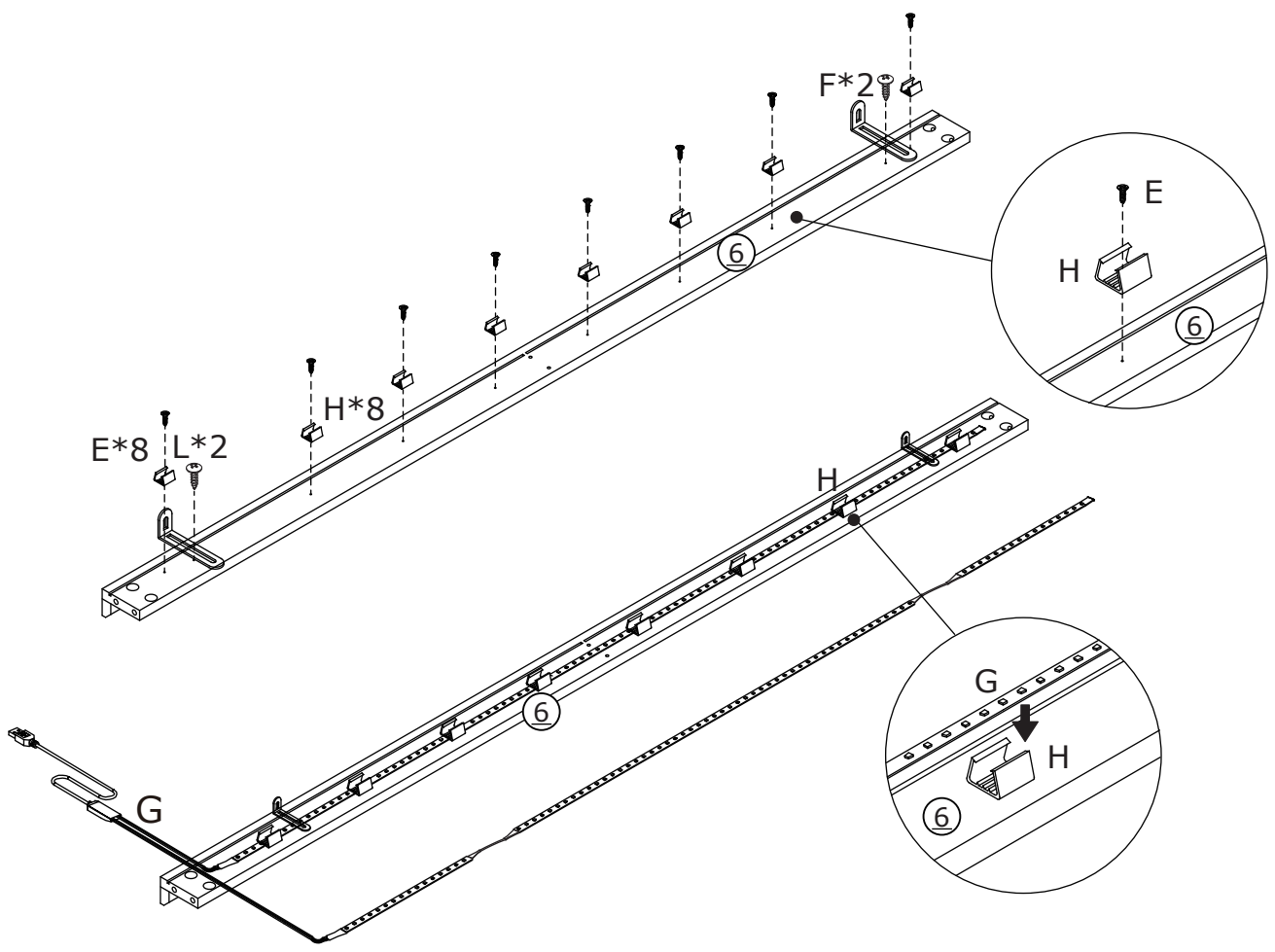
-  A x 24
-  ø3x12mm
E x 18
-  K1 x 2
-  CL x 2
-  CR x 2



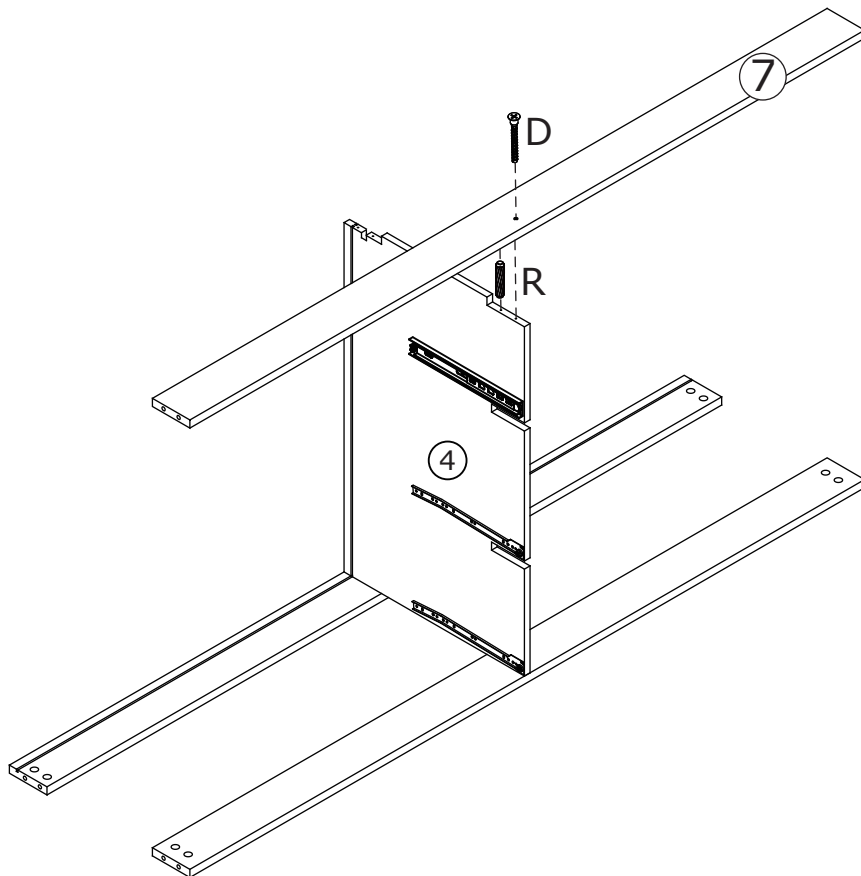
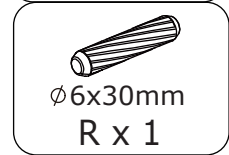
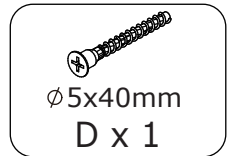
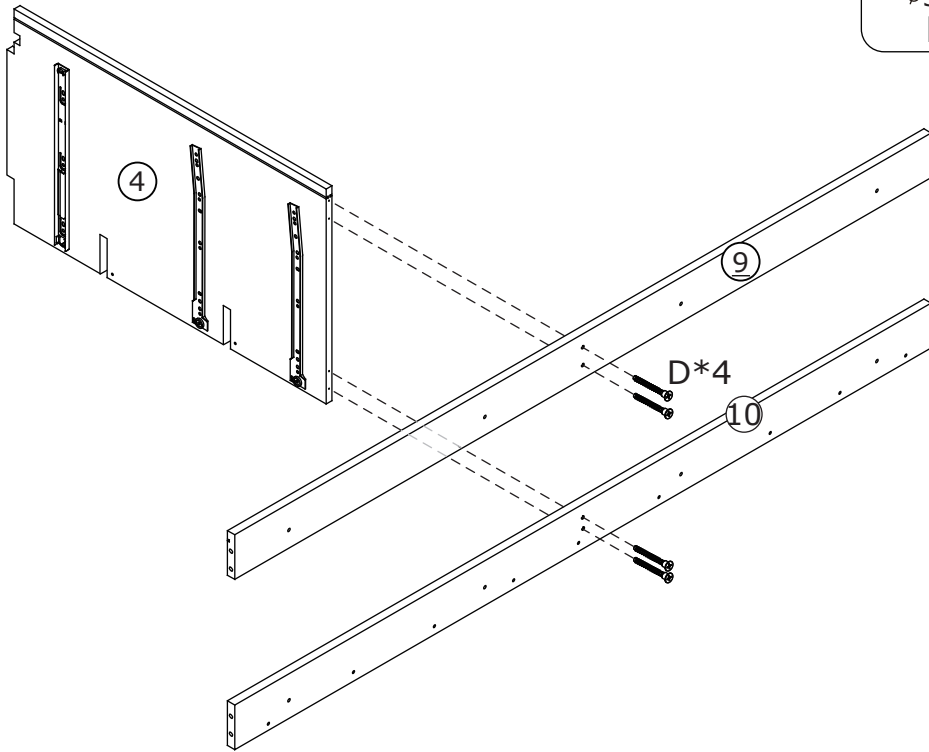
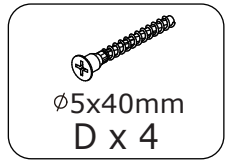
3



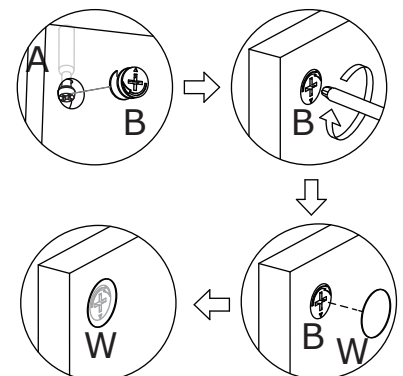
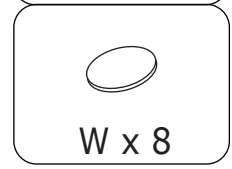
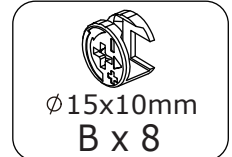
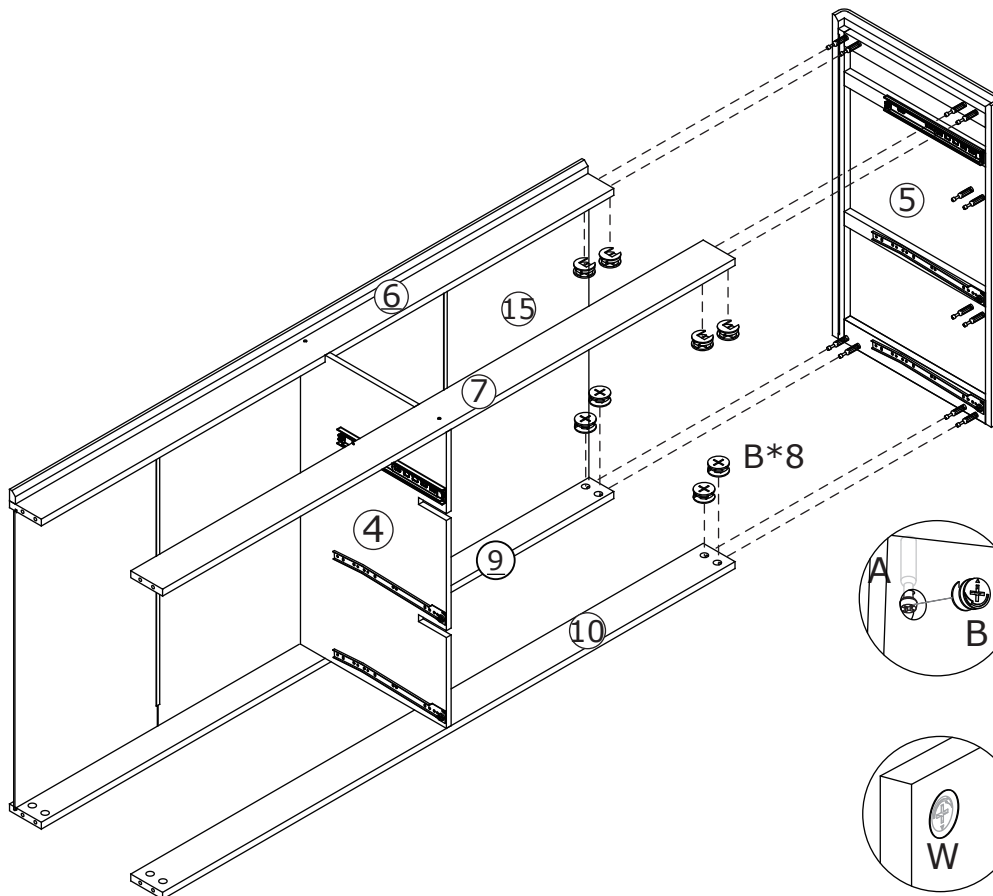
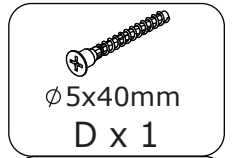
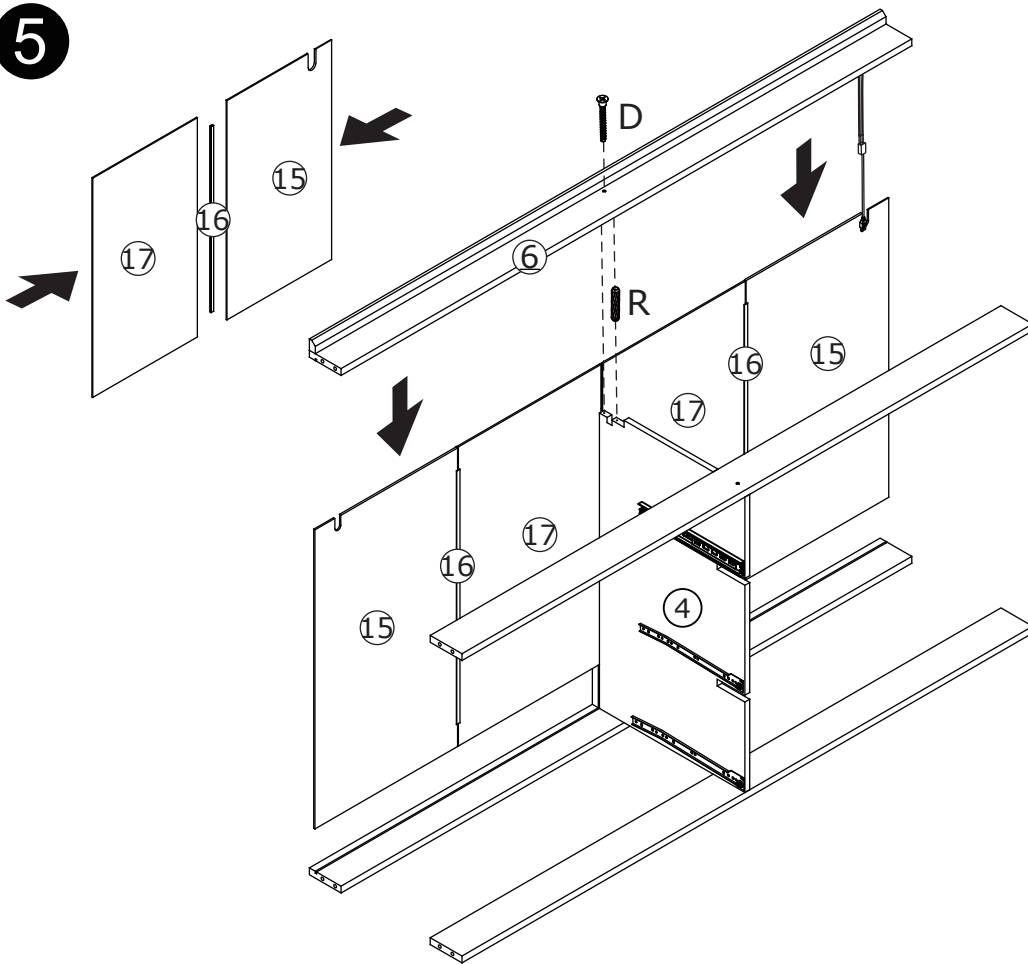
- 
G x 1
- 
∅3x12mm
E x 8
- 
H x 8
- 
L x 2
- 
∅4x14mm
F x 2



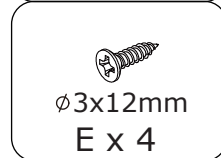
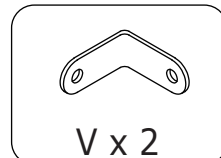
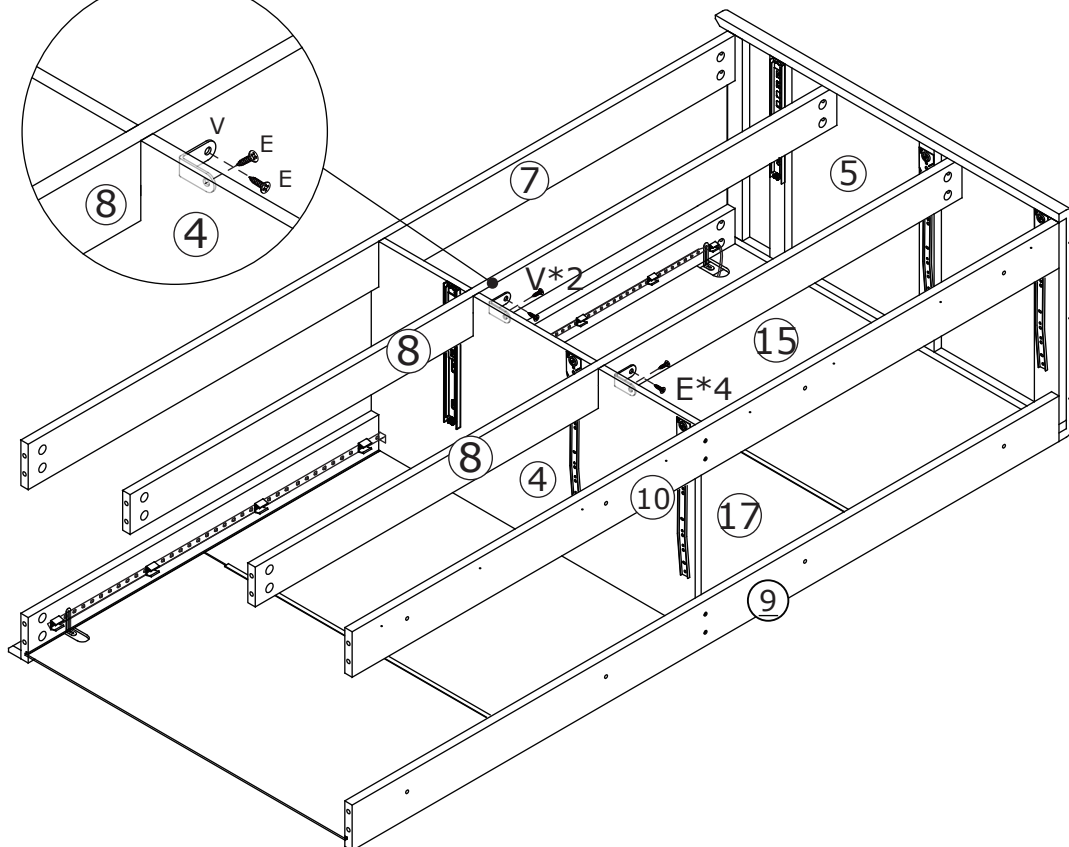
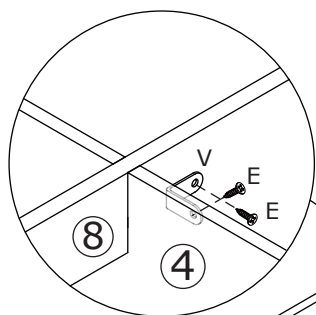
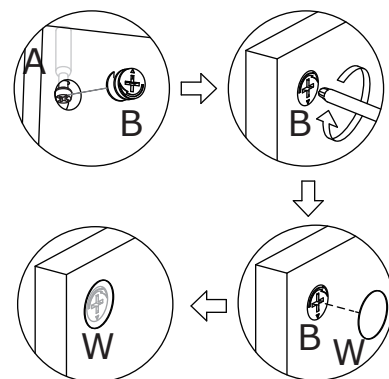
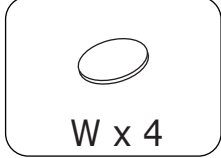
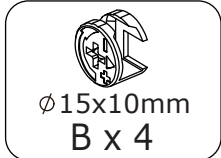
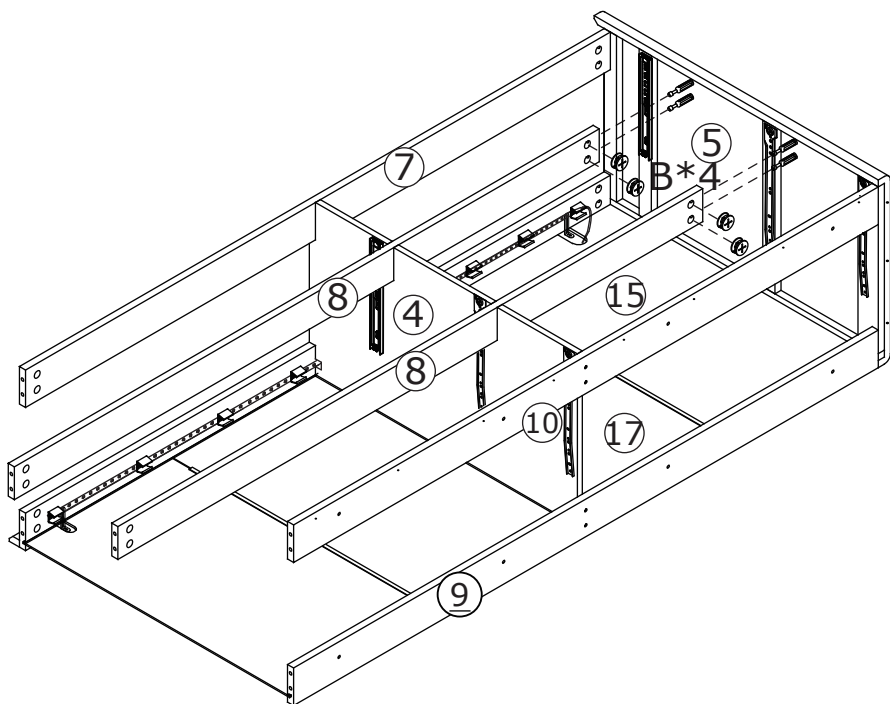
4



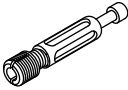


5

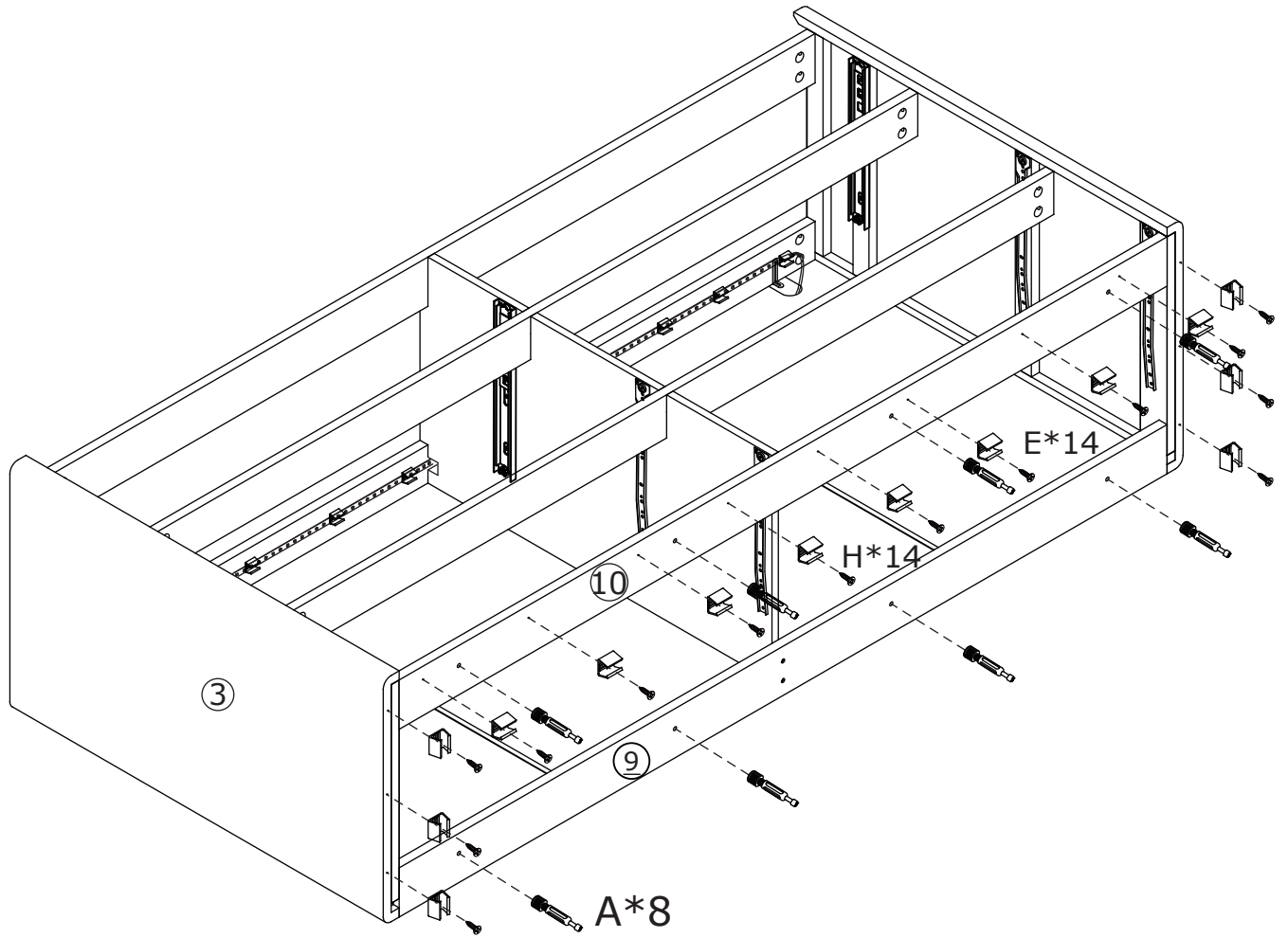


6

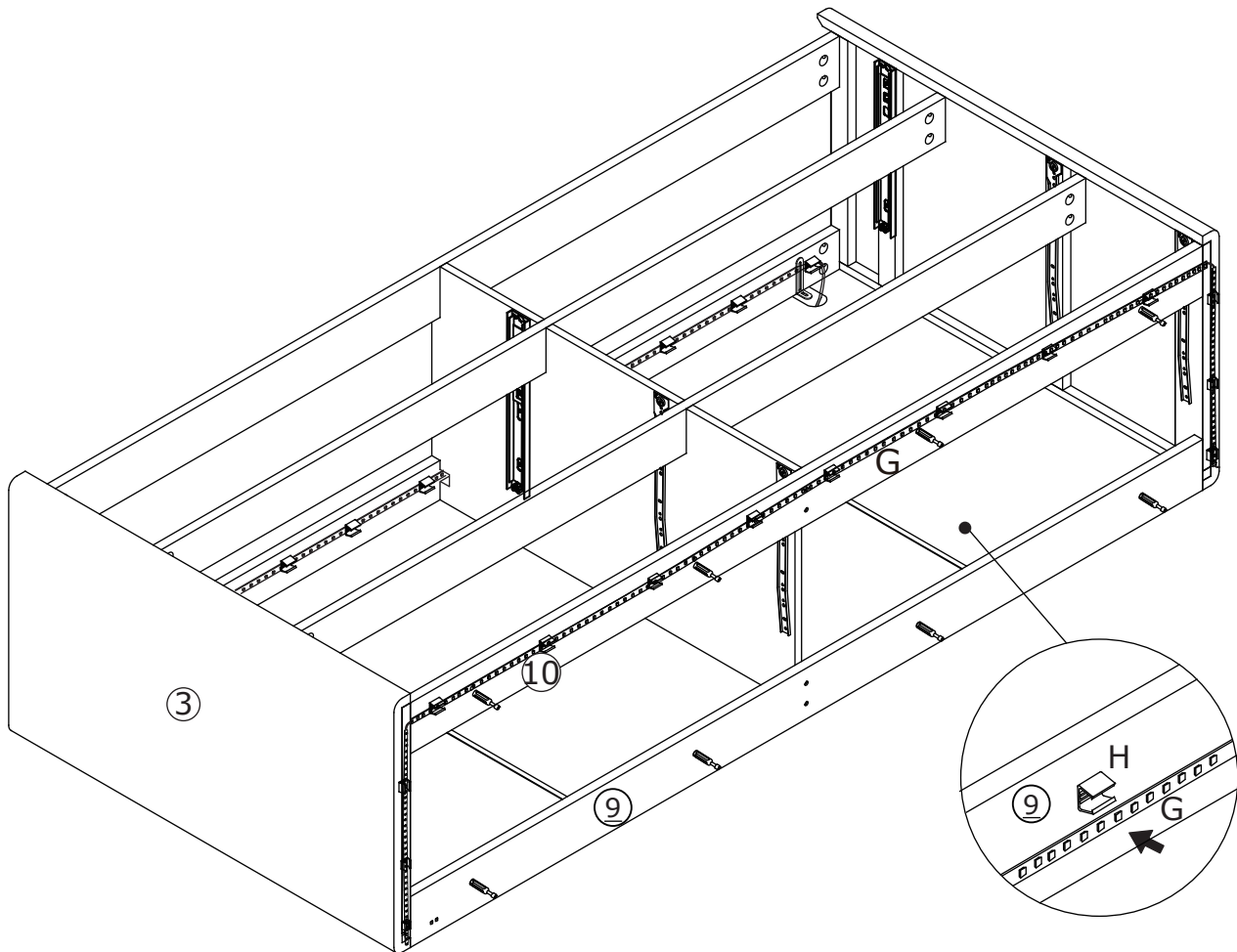
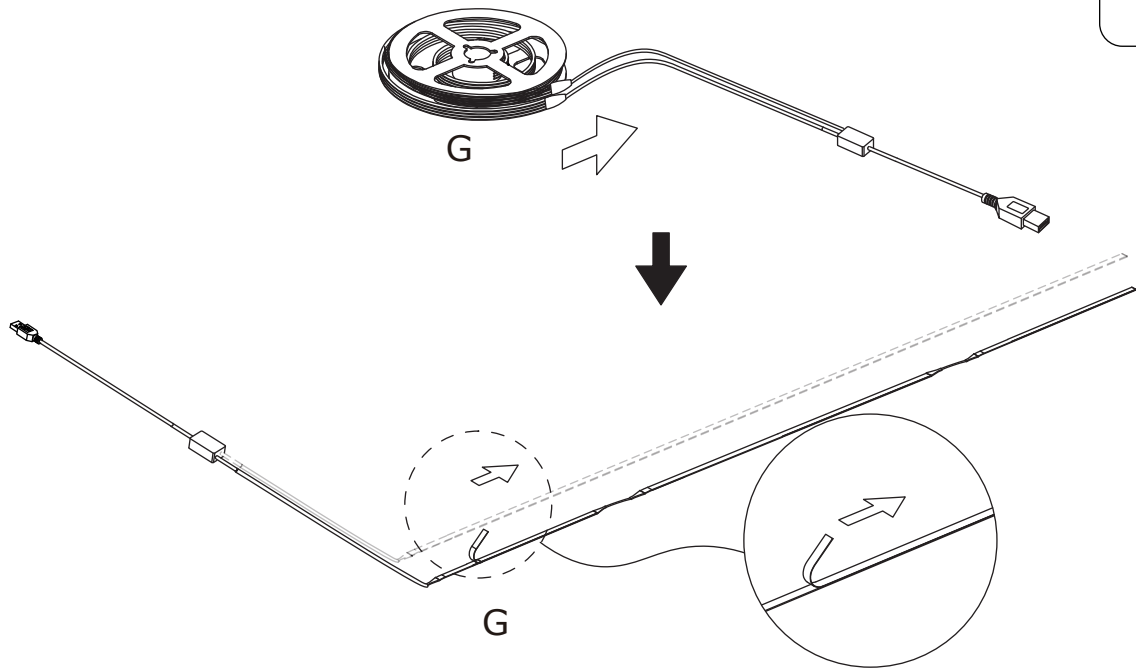


8

- 
A x 8
- 
H x 14
- 
Ø3x12mm
E x 14



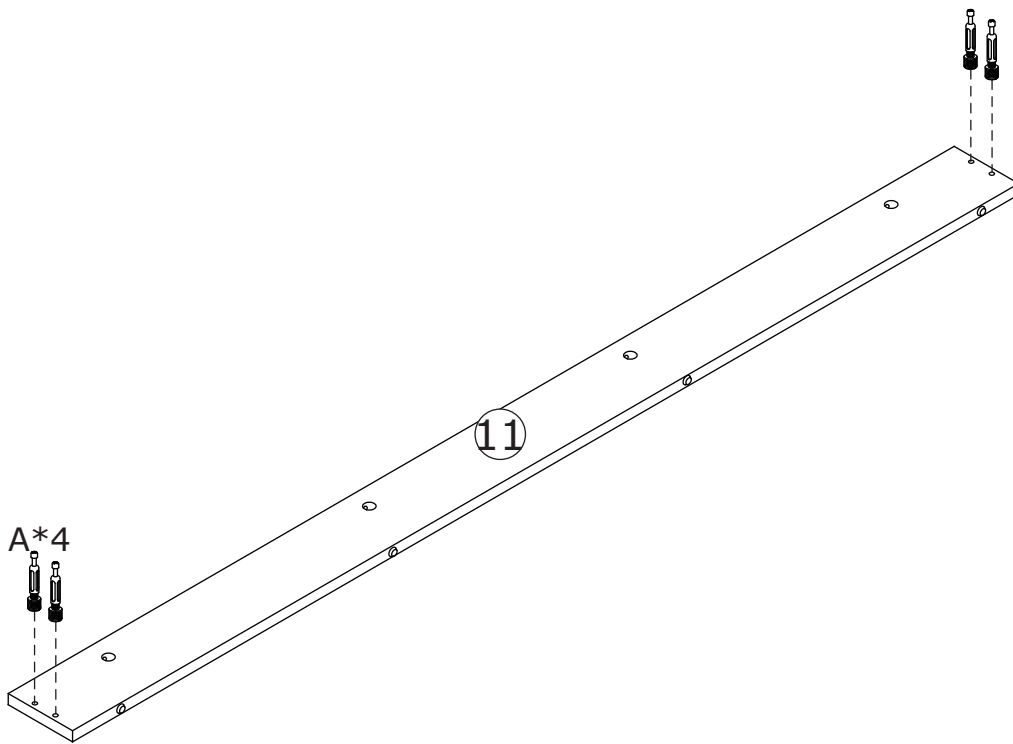
9



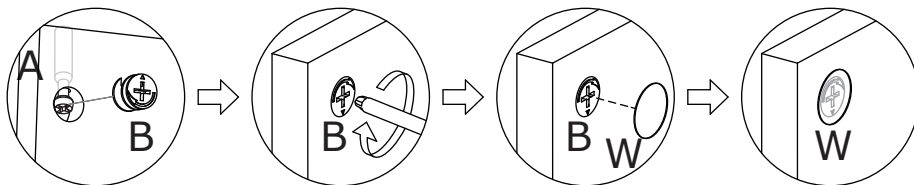
10



A x 8



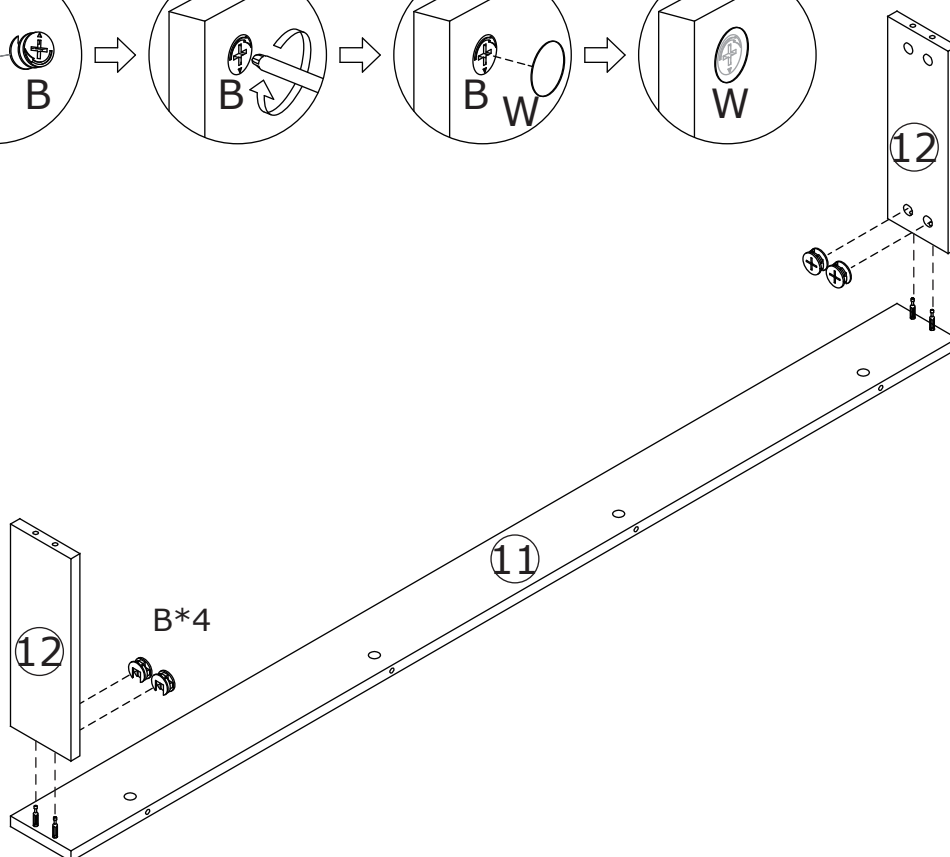
x2



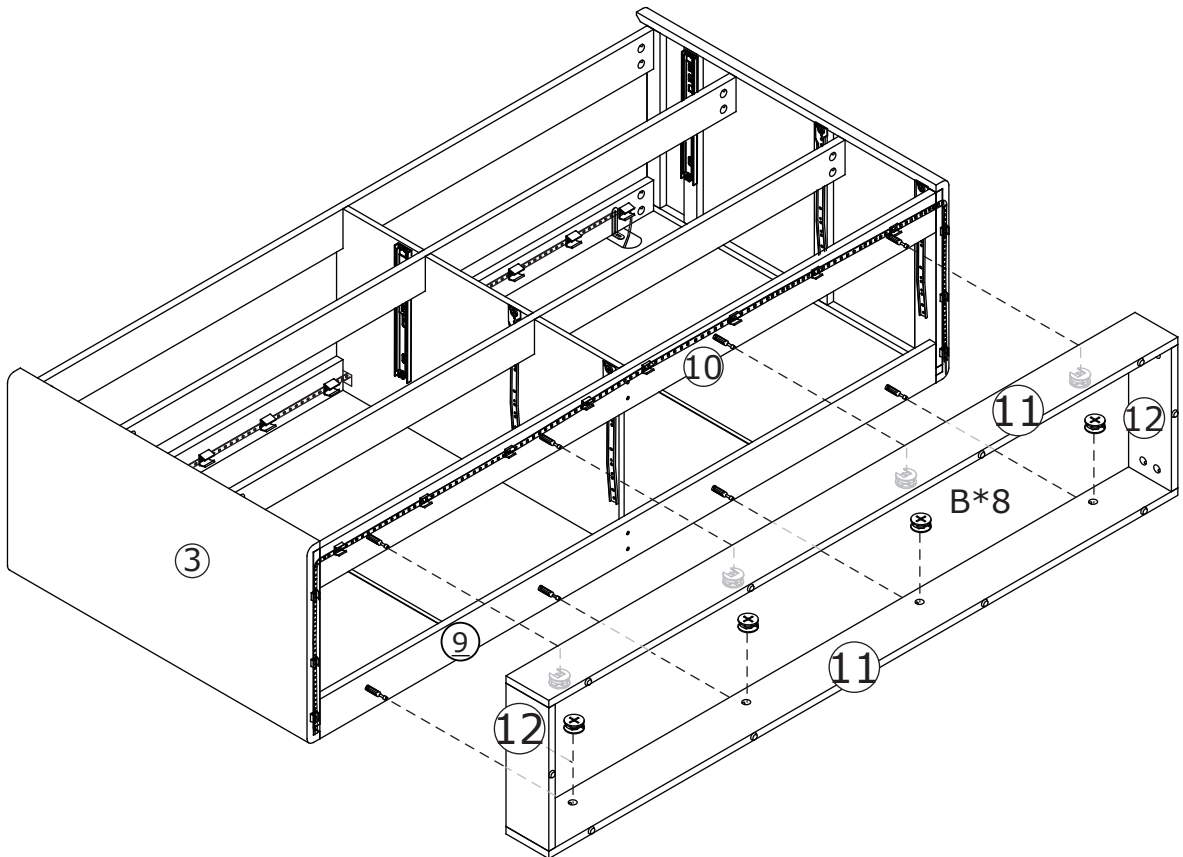
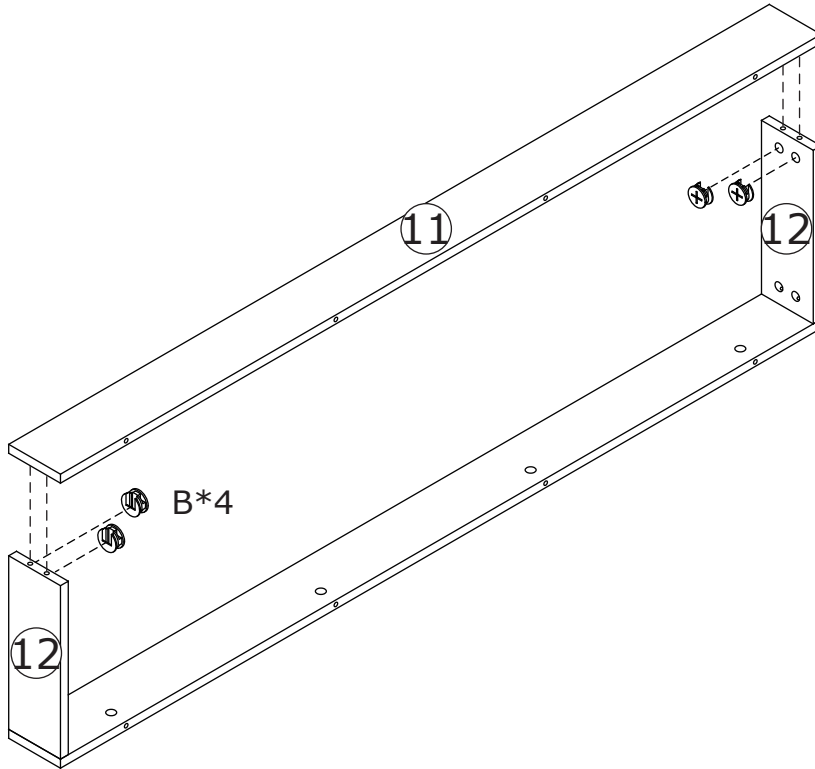
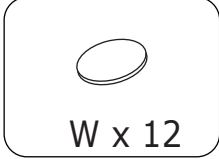
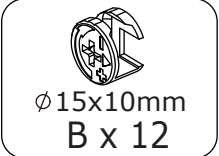
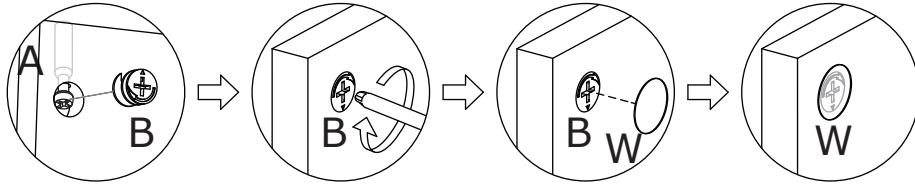
Ø15x10mm
B x 4



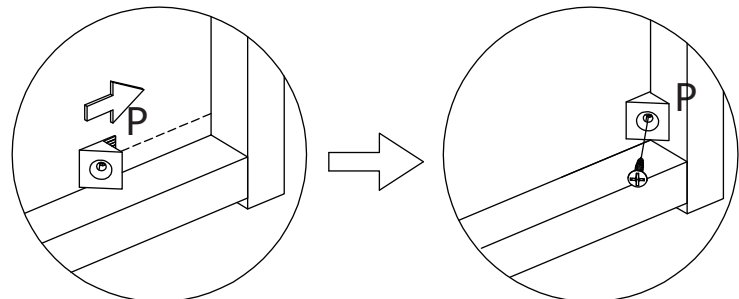
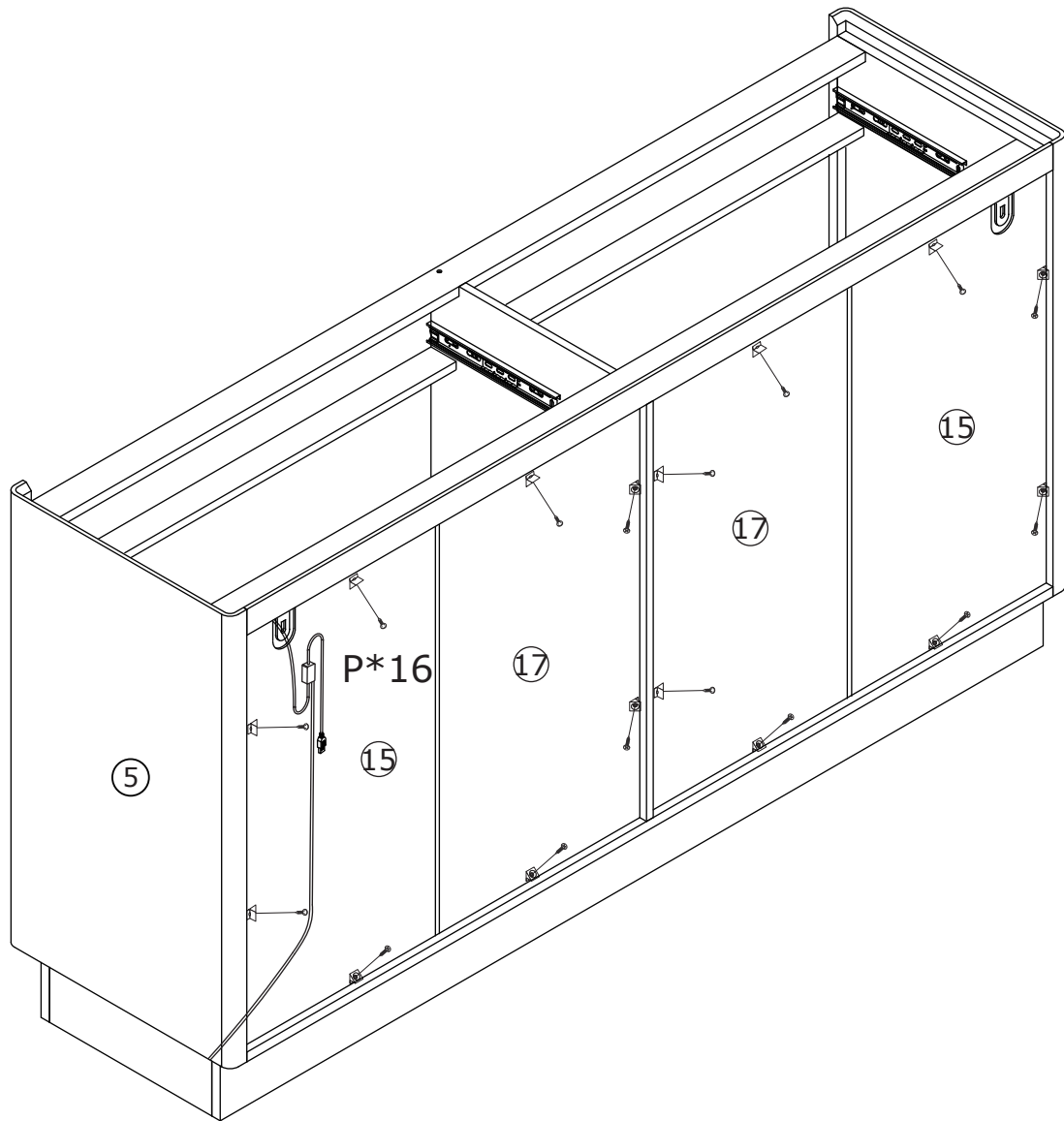
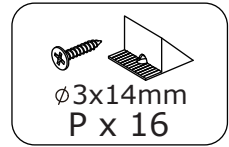
W x 4



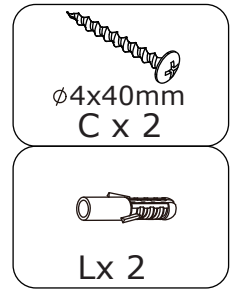
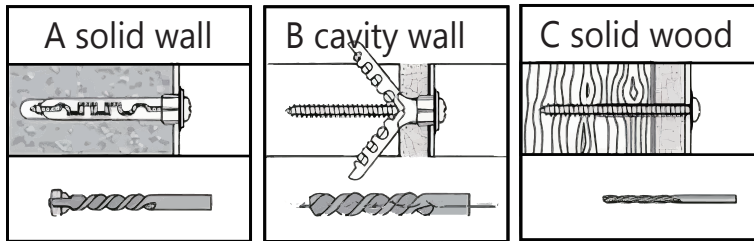
11



12

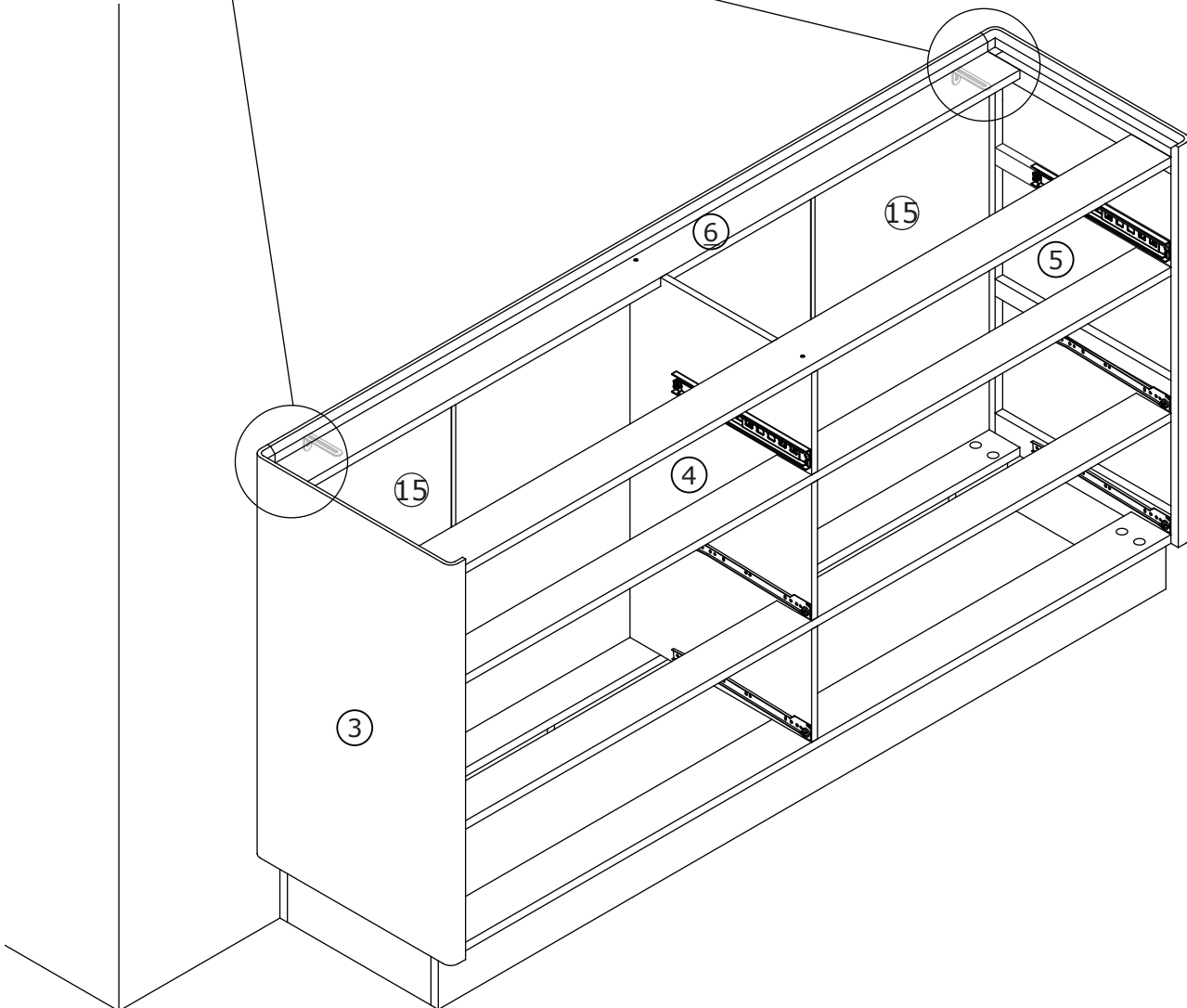
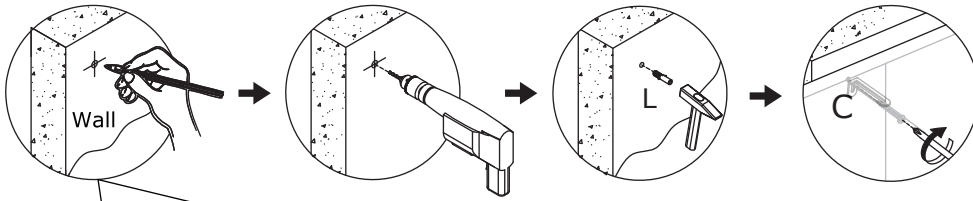


13

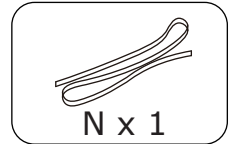


! Warning: If you overturn the furniture, it may cause serious or fatal crushing injuries. We have a wall connection device attached, please use it to hold the furniture following these instructions.

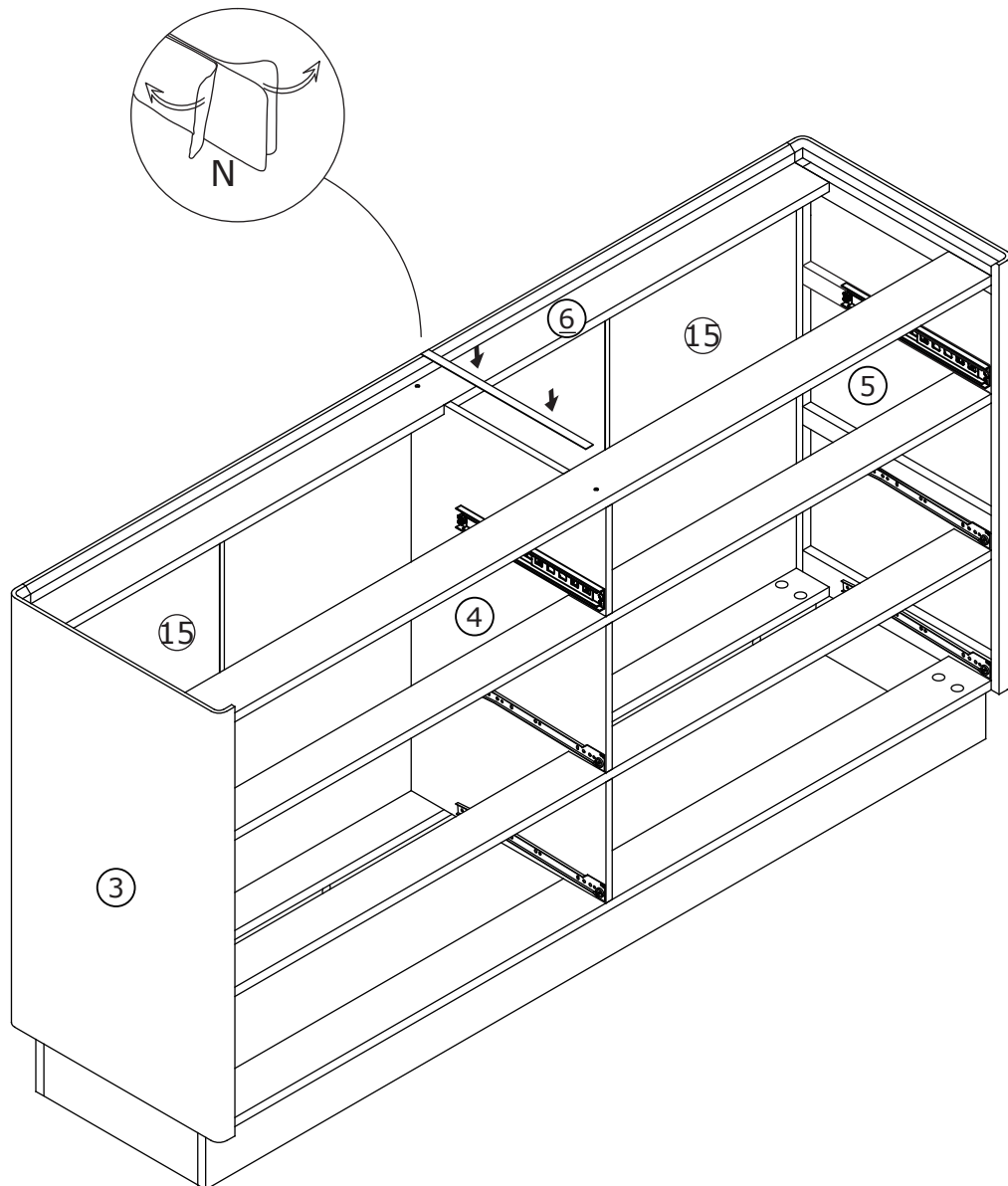
1. Mark the corresponding hole positions where you want to place the furniture;
2. Use a impact drill to drill holes and pay attention to avoid wires and water pipes;
3. Knock the expansion pipes into the wall holes;
4. Place the furniture in the corresponding position and tighten the wall connection device with screws.



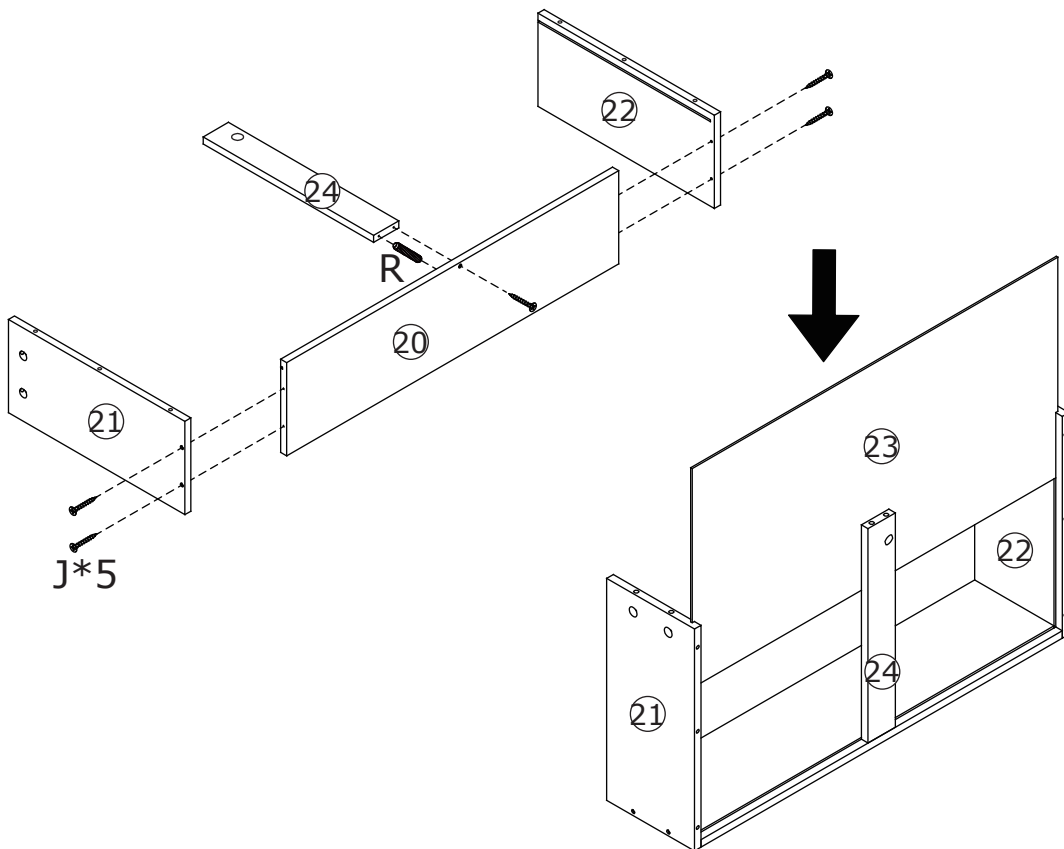
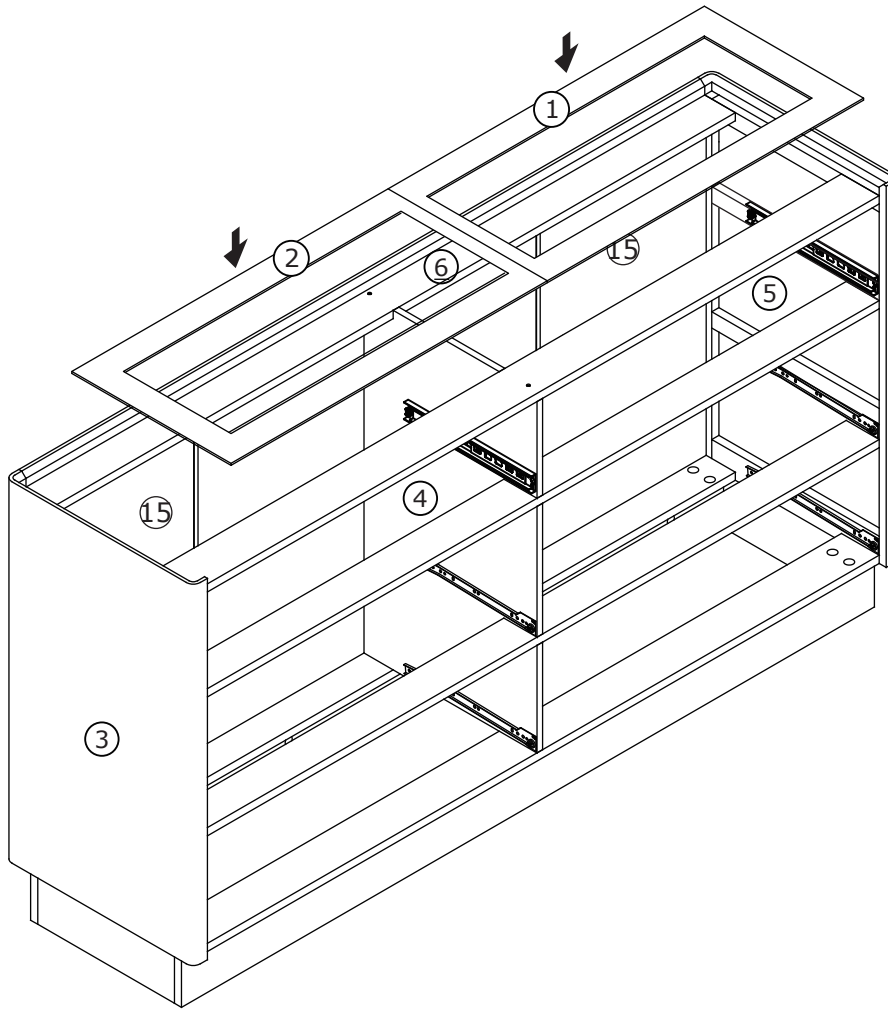
14




Tear off the protective layer on both sides



15



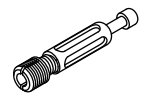
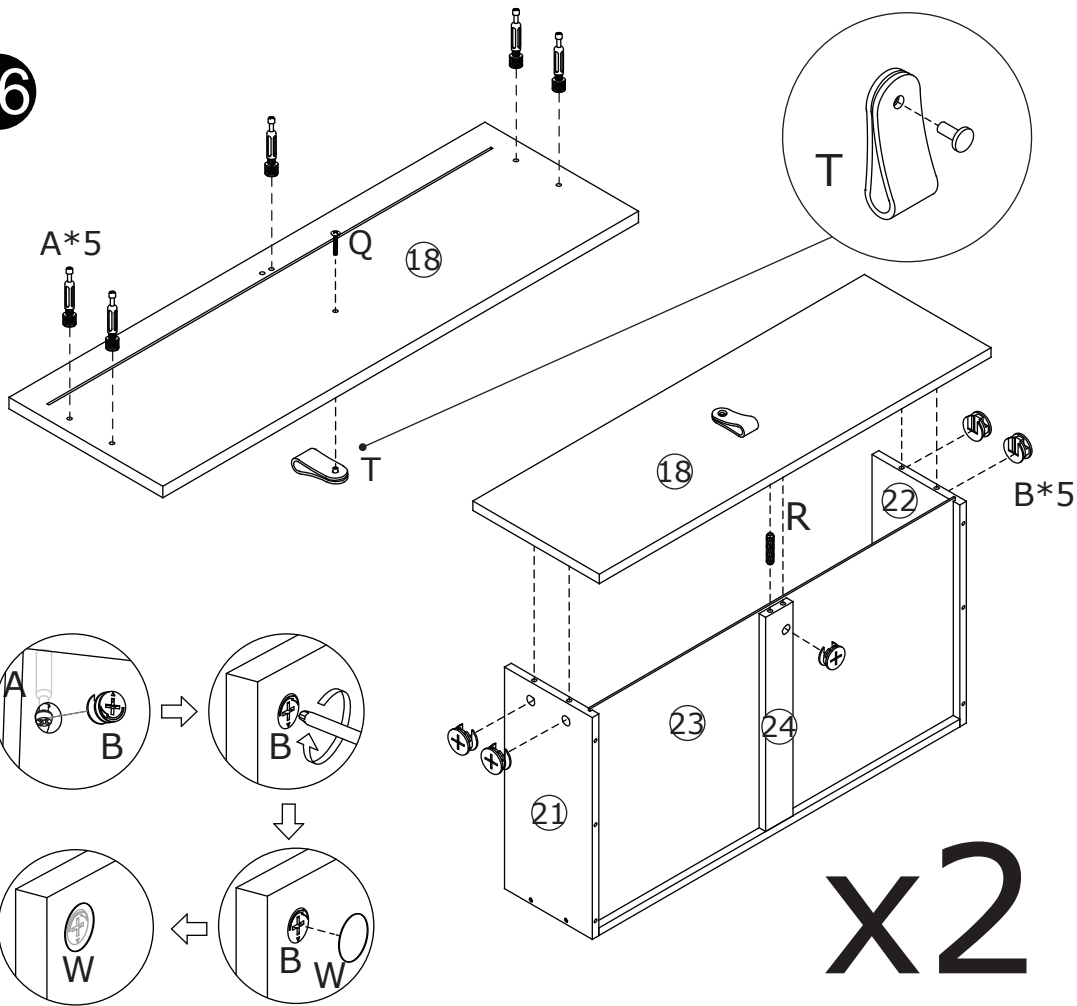

Ø4x35mm
J x 20


Ø6x30mm
R x 4

J*5

x4

16



A x 10



∅15x10mm
B x 10



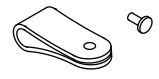
∅4x10mm
Q x 2



∅6x30mm
R x 2

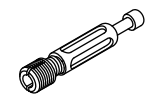
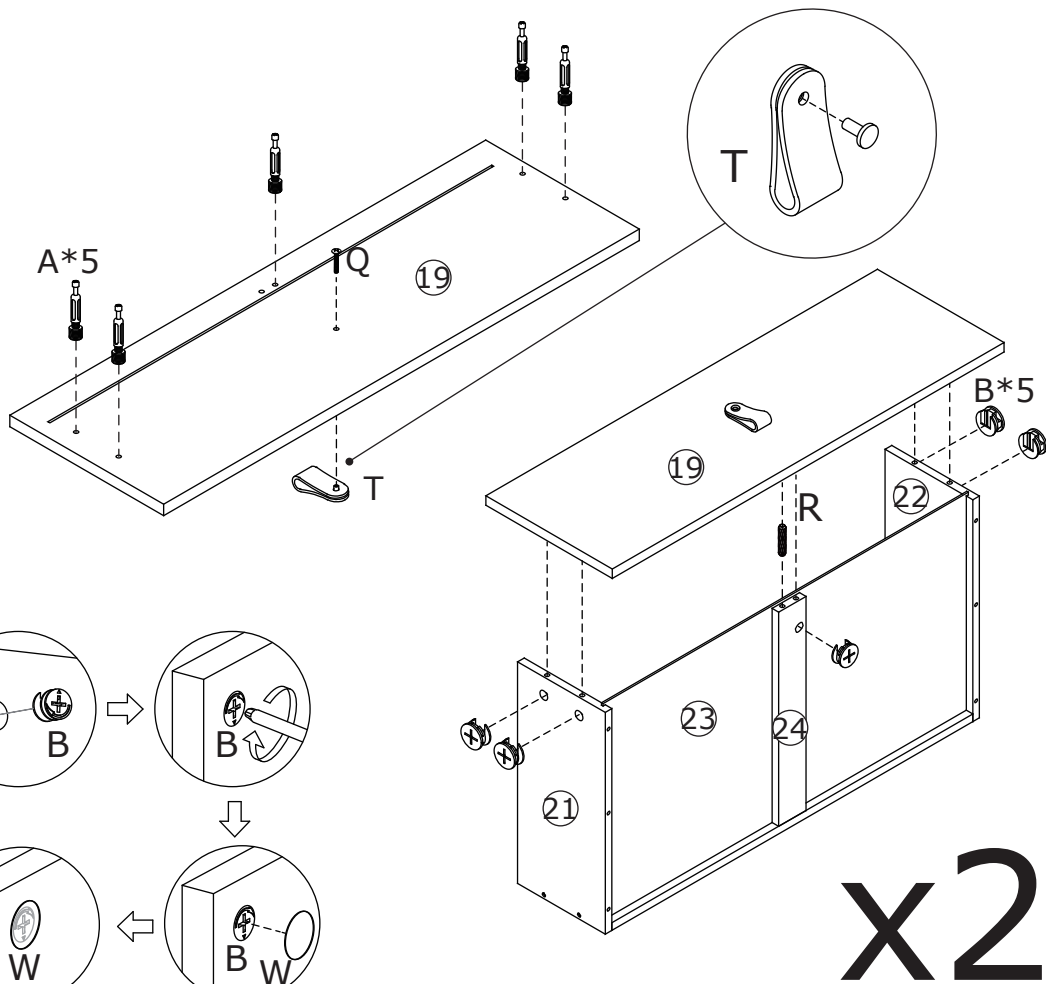
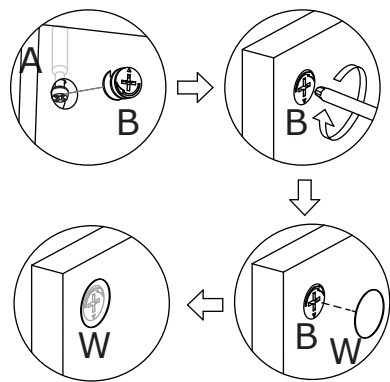


W x 10



T x 2

x2



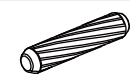
A x 10



∅15x10mm
B x 10



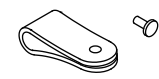
∅4x10mm
Q x 2



∅6x30mm
R x 2

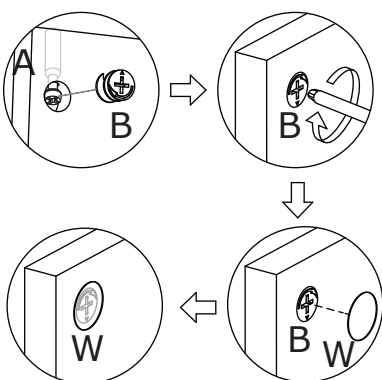


W x 10

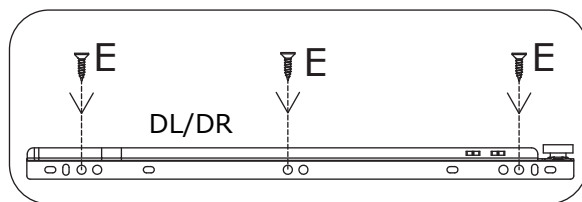


T x 2

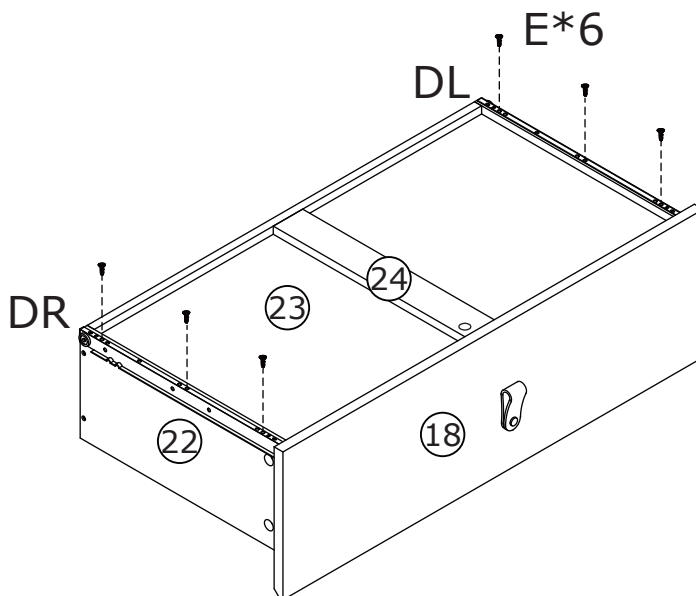
x2



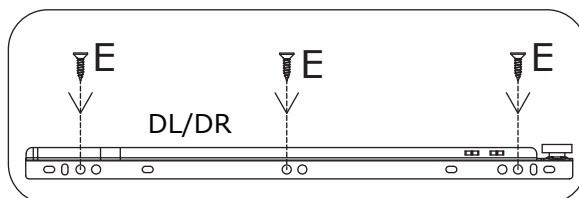
17




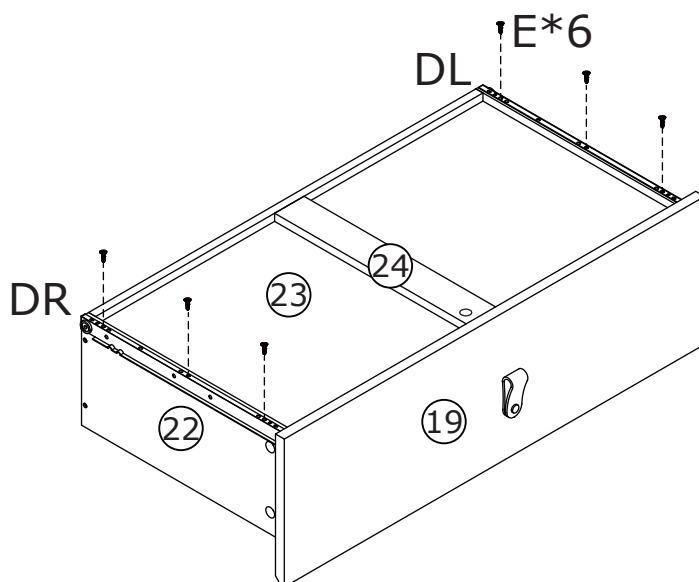

ø3x12mm
E x 12



x2

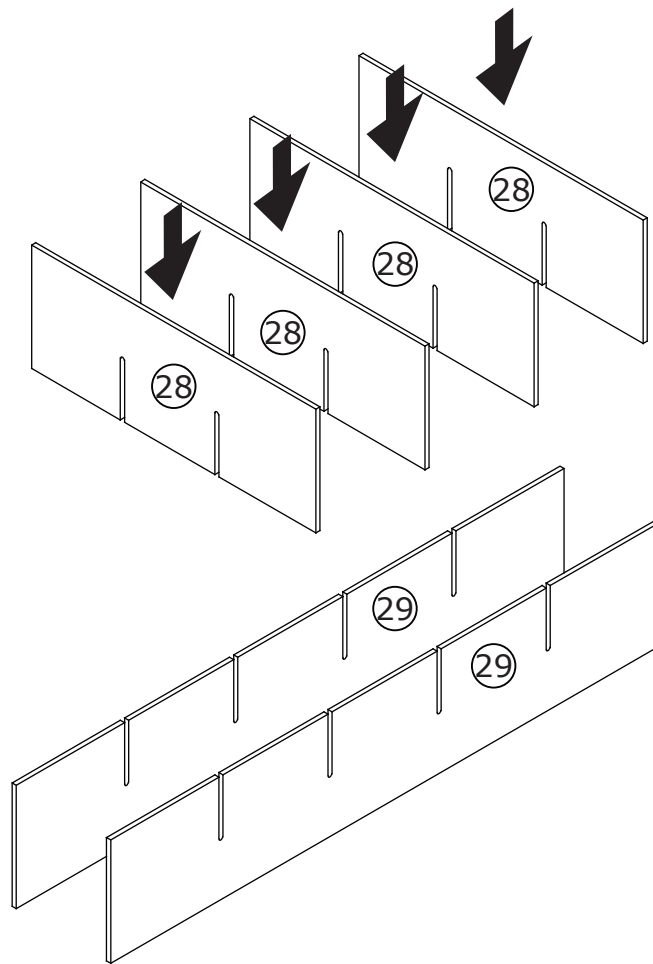



ø3x12mm
E x 12

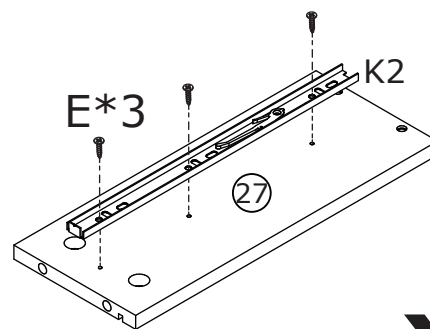
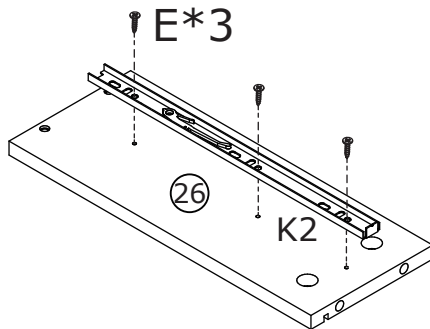
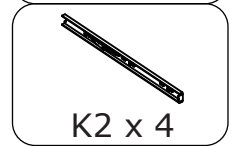
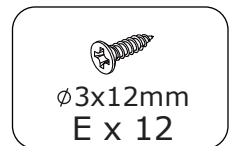
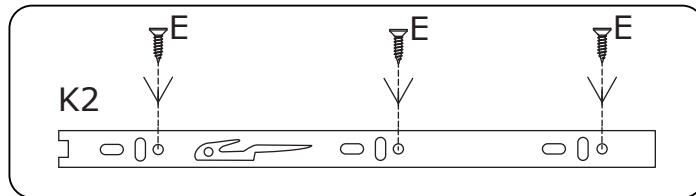


x2

18




x2

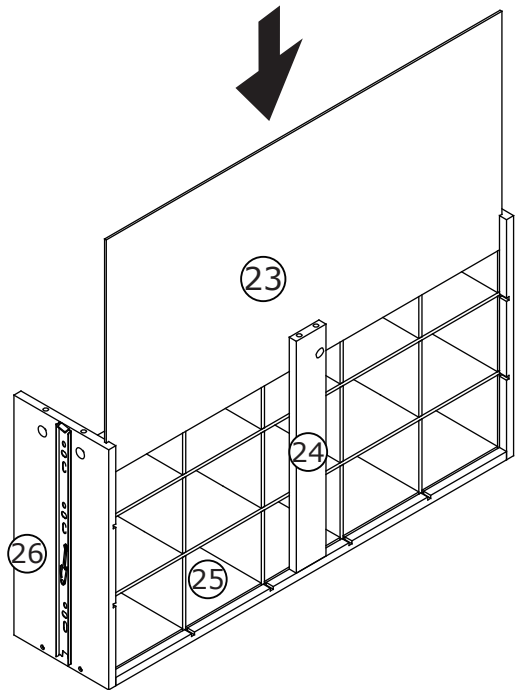
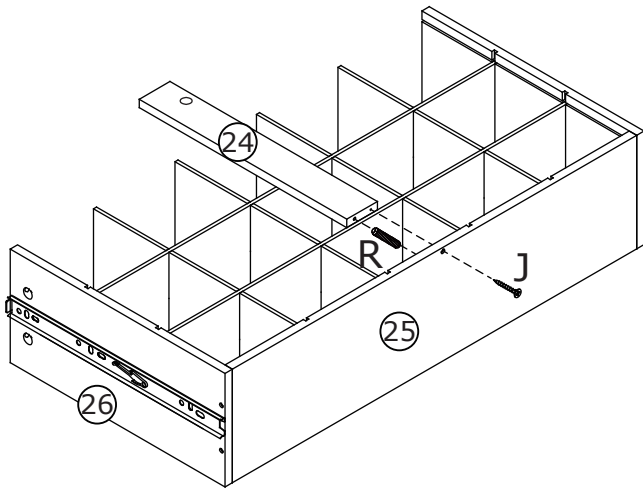
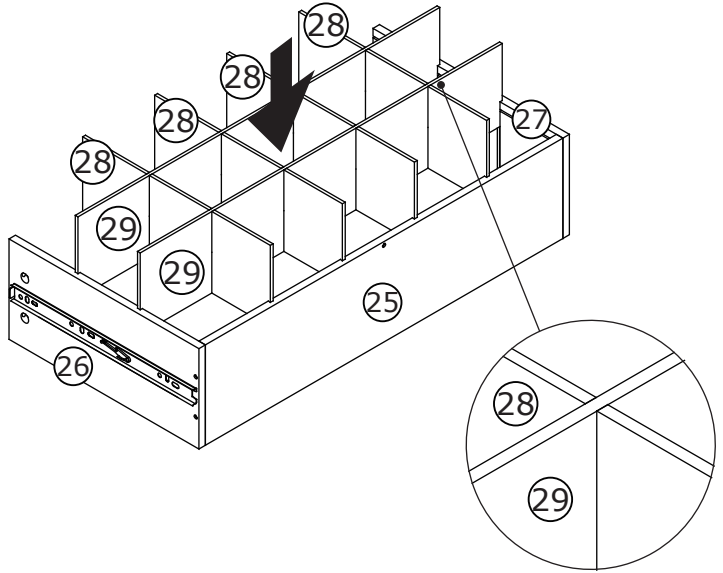
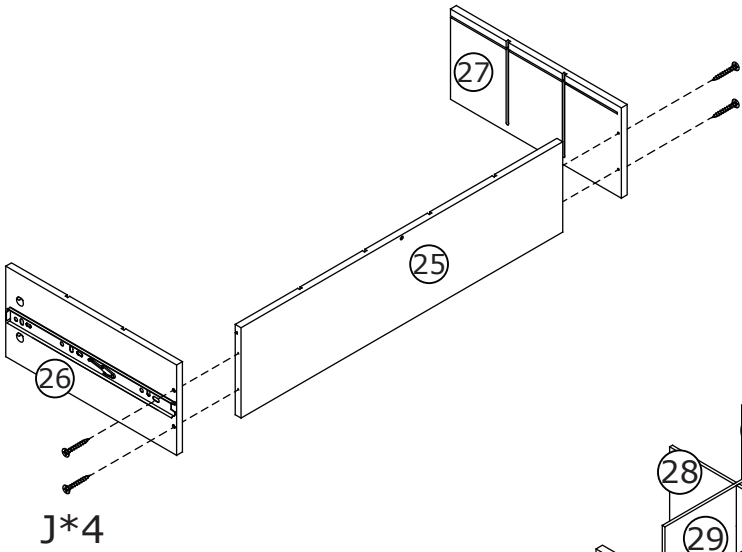


x2

19

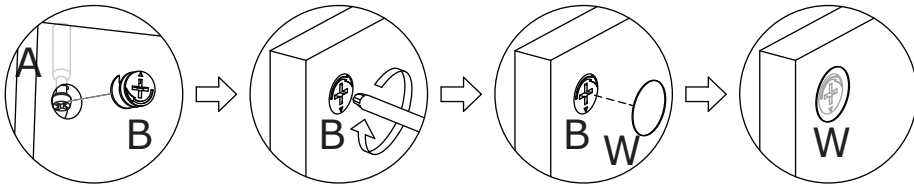

Ø4x35mm
J x 10


Ø6x30mm
R x 2

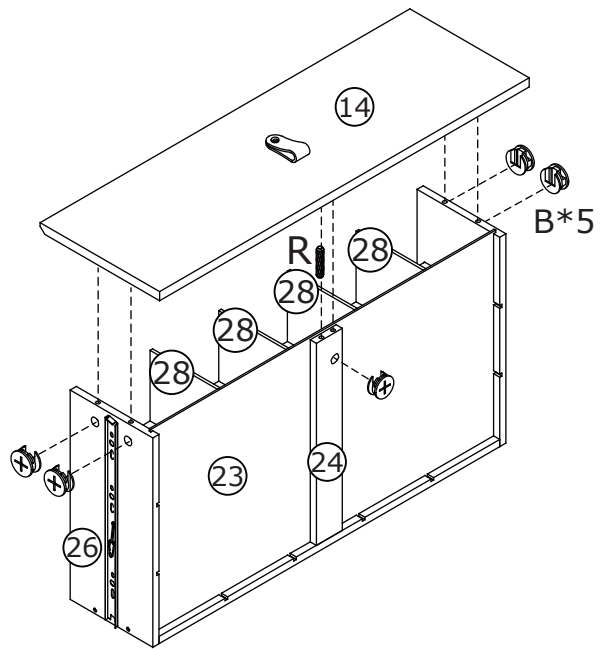
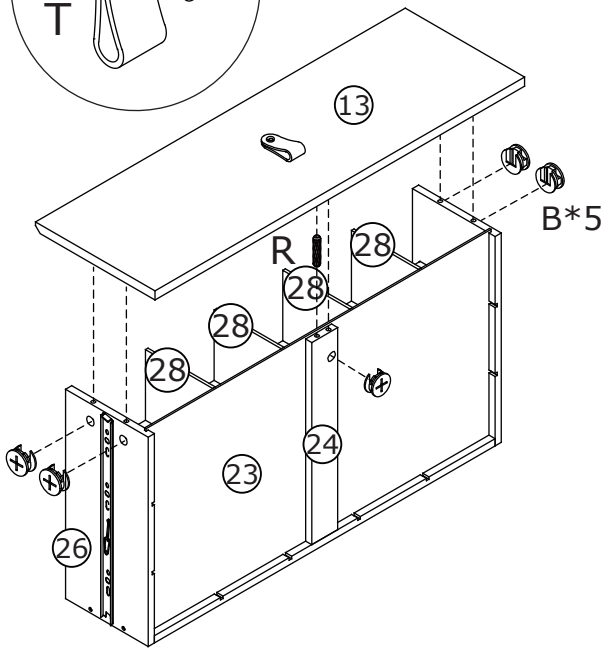
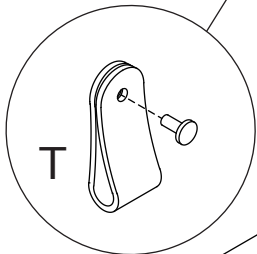
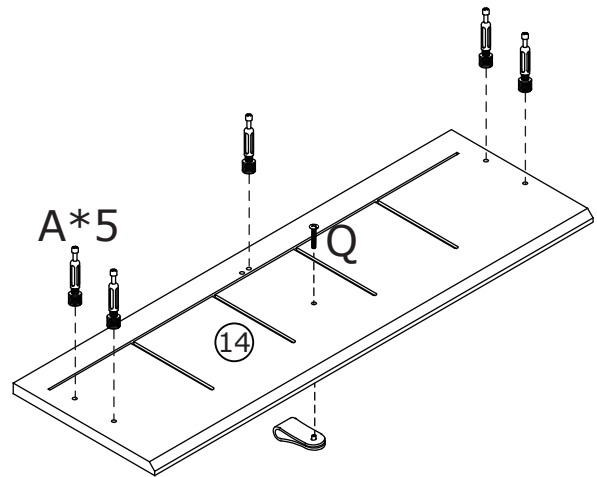
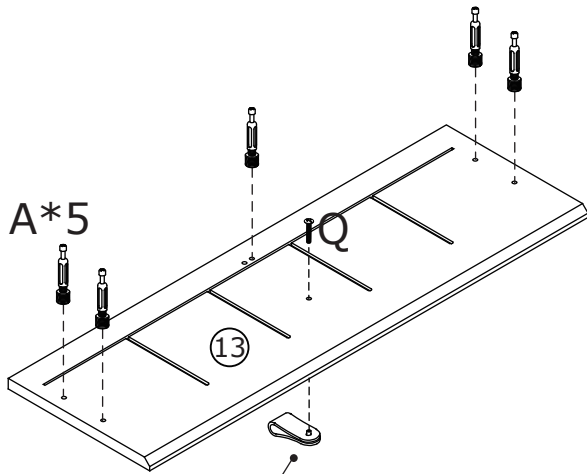


x2

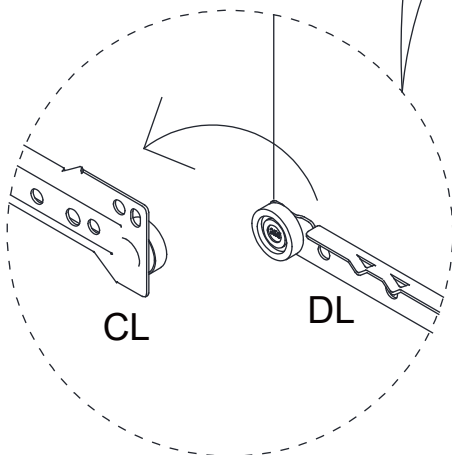
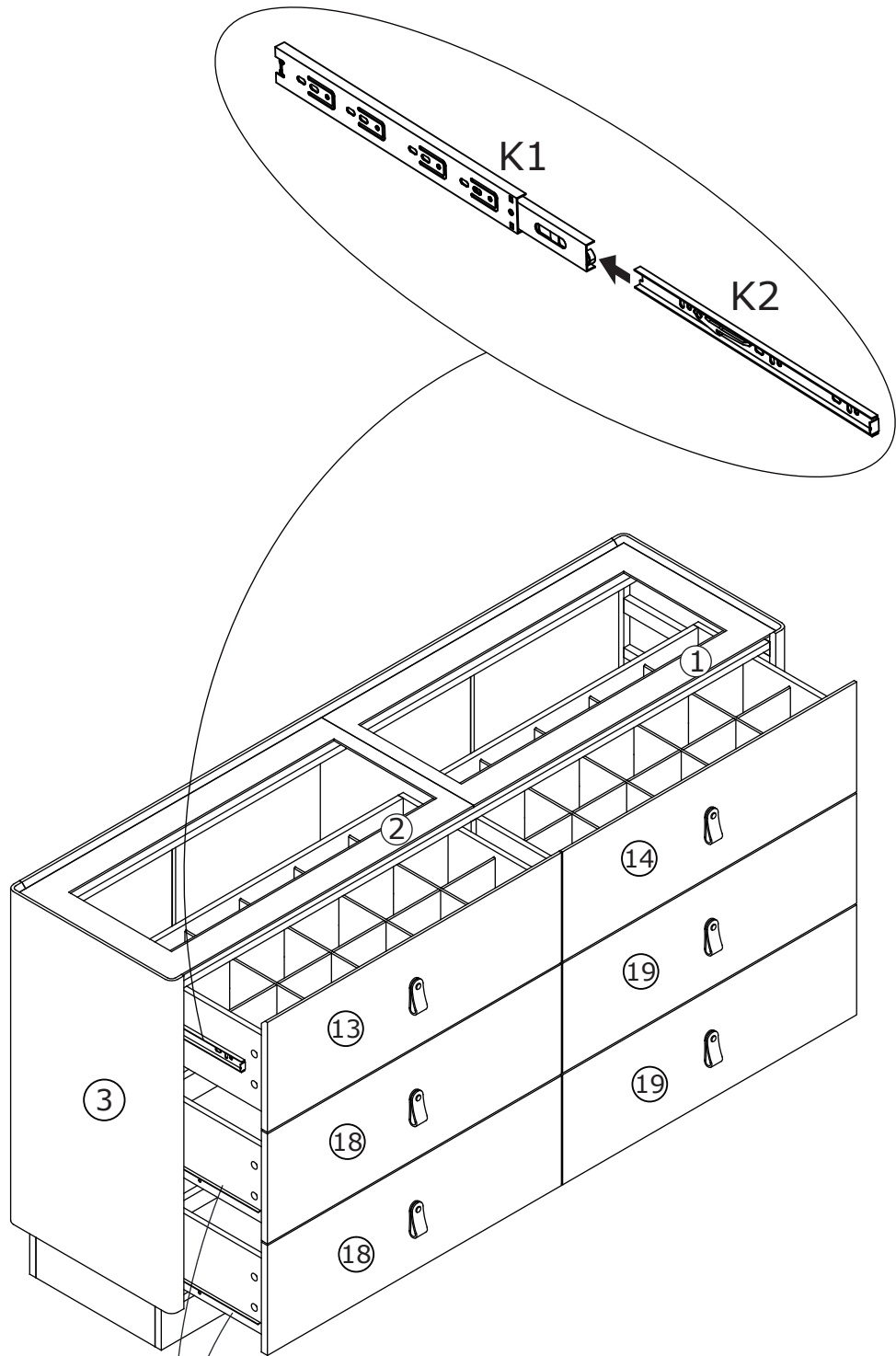
20



- | | |
|---------------|---|
| | |
| $W \times 10$ | $A \times 10$ |
| | |
| $T \times 2$ | $\varnothing 15 \times 10 \text{mm}$ $B \times 10$ |
| | |
| | $\varnothing 4 \times 10 \text{mm}$ $Q \times 2$ |
| | |
| | $\varnothing 6 \times 30 \text{mm}$ $R \times 2$ |



21



"SAFETY TIPS:

Static charge may cause dust on foam- clean with a dry or damp cloth.

Small foam strands may be present -handle gently and dispose of properly. Do not burn or incinerate Check local recycling guidelines."