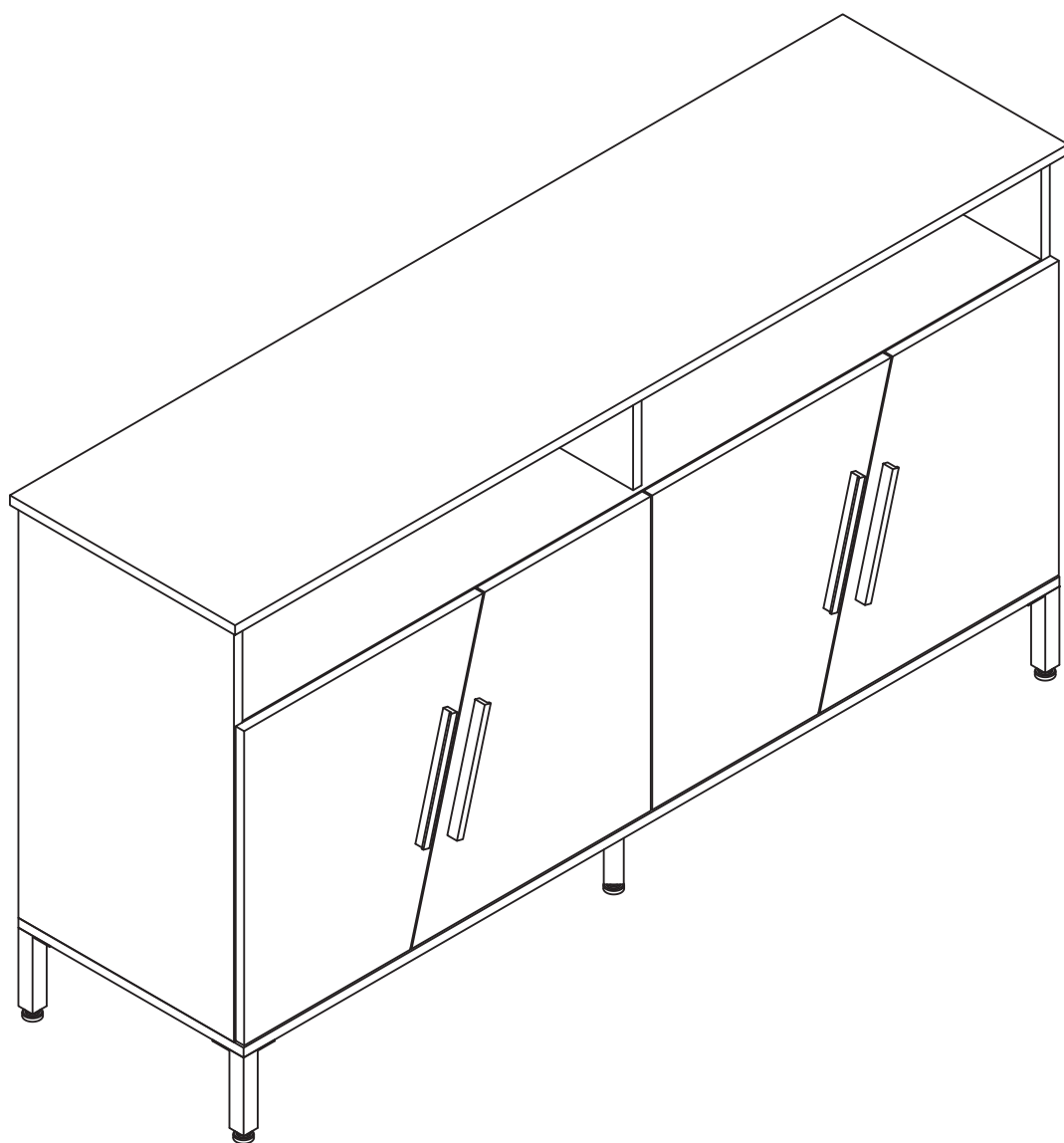


# ANGLED DOOR TV STAND

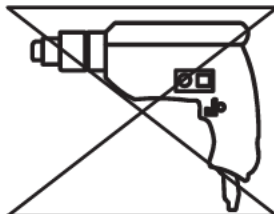
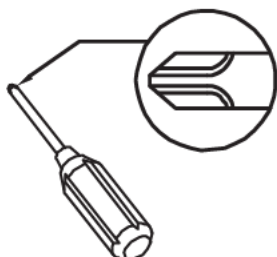
## ASSEMBLY INSTRUCTION



## YOU NEED

### Tools required

A Phillips screwdriver is required for the assembly of this product. (not included)  
Electric tool should not be used to assemble this product.



Technical Specifications	
Material	iron+PB board
Colour	dark grey
Max weight capacity	220 lbs

## Tips!



1. Check all the components & screws are intact before assembling the tv stand.
2. If you notice any pieces are missing or damaged please do not assemble and contact us immediately .

## IMPORTANT SAFETY INFORMATION

Please carefully read the instructions and caution warnings below before assembling the tv stand. Following this guide will ensure that you install, use and maintain the product properly.

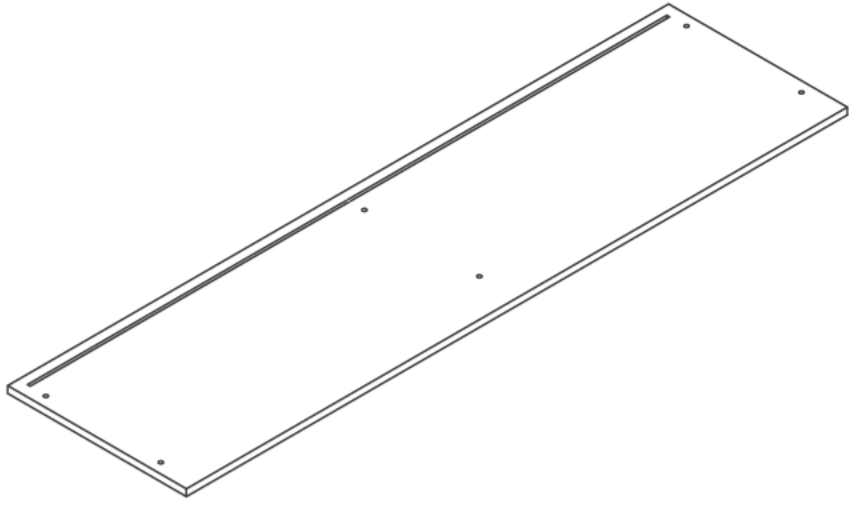
- Please keep this installation and user manual/instructions for future reference in case you need to assemble the product.
- Do not assemble if you notice serious damage such as cracks or bends.
- During installation, please use work gloves for hand safety.
- Please assemble the unit on carpeted floor or the flat cardboard box to avoid scratching the surface or your floor while assembling on the floor.
- To assemble, please use the complimentary installation tools (Allen Wrench). Pay more attention to the direction of components at each steps.
- It is recommended that two people work together to assemble the side table.
- Please do not tighten the screws up too much, just to 80% before you finish to make the installation go on successfully.

## RETURN POLICY

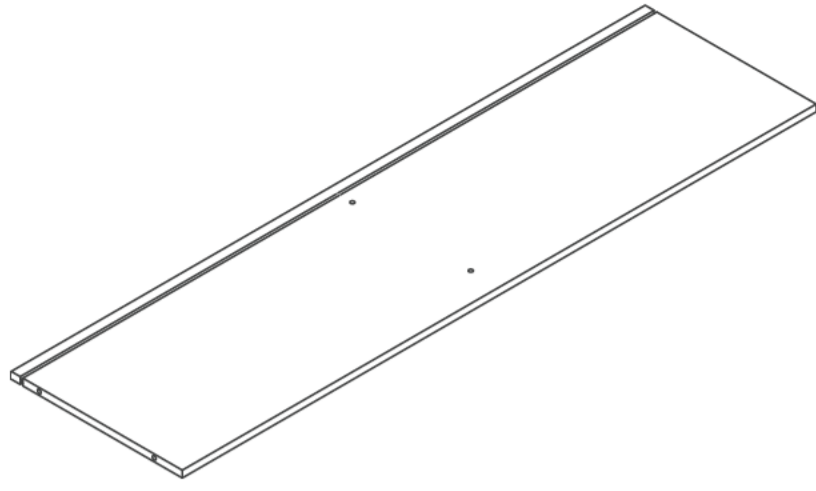
We believe you will absolutely love your new tv stand. But for some reason you want to return your item, please contact us within 30 days after receiving and ensure that the tv stand which you want to return is in a good condition in the original box with all original certificates of purchase, manuals and accessories attached.

## HOW TO MAINTAIN YOUR TV STAND:

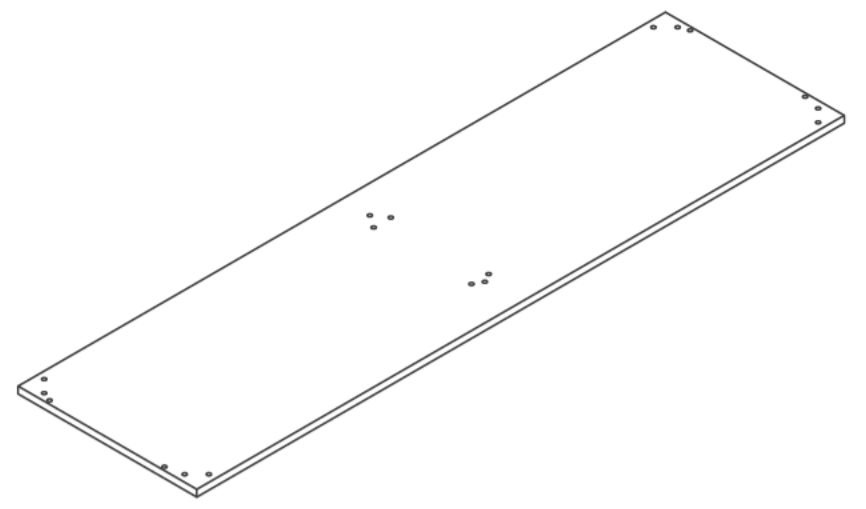
- Check the screws of the tv stand are not loose from regular use.
- Do not use sharp instruments, rubbing alcohol, corrosive chemicals, or abrasive cleaners to clean the tv stand.
- Do not keep the tv stand in a damp environment for a long period of time. The damp environment may cause the iron components to rust and the plates to bulge and crack.



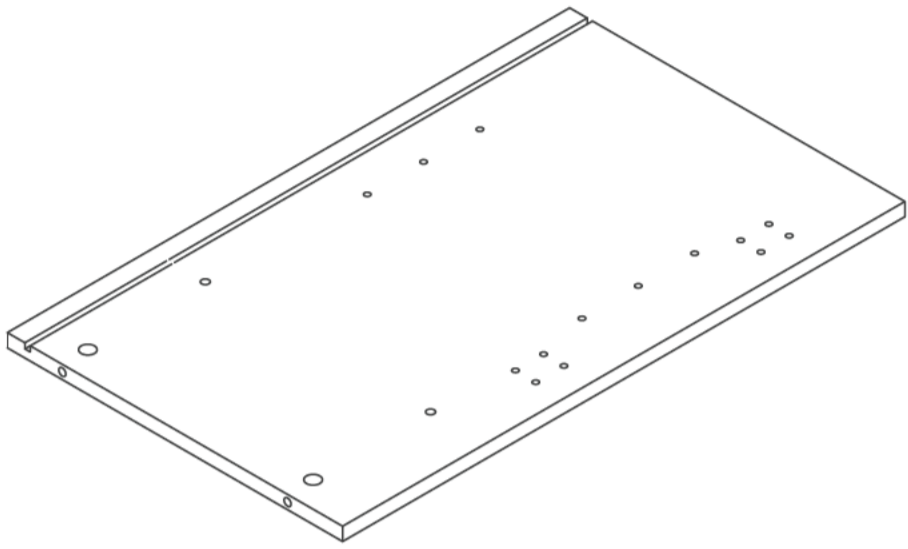
① X1



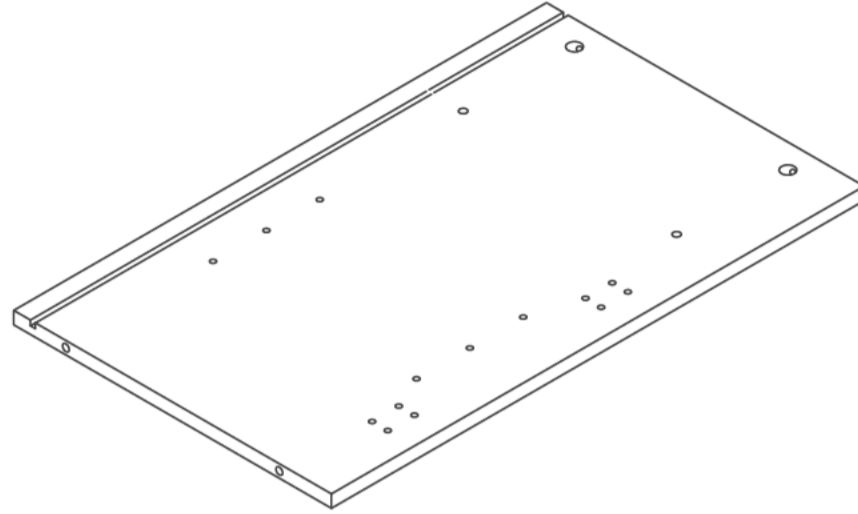
② X1



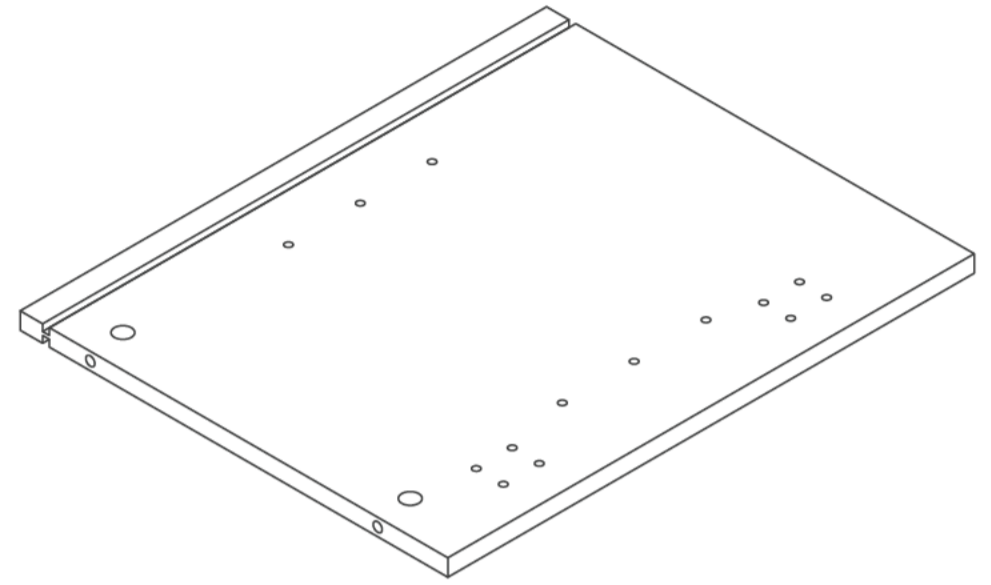
③ X1



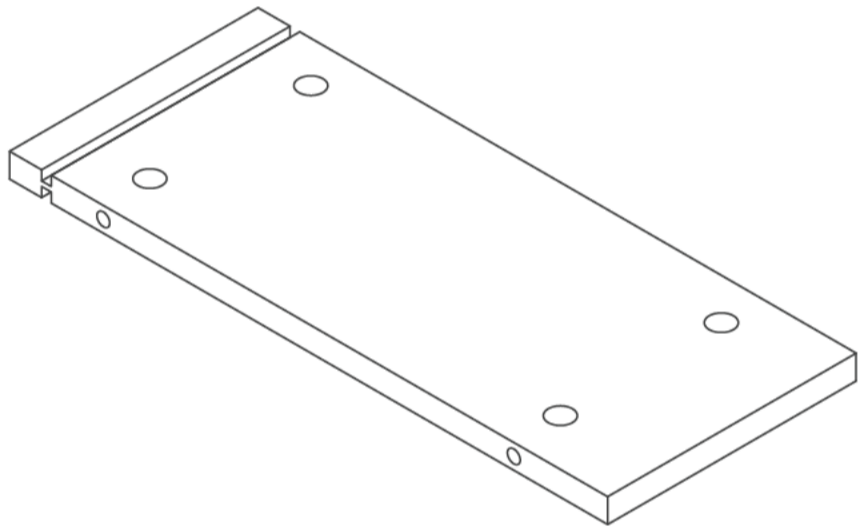
④ X1



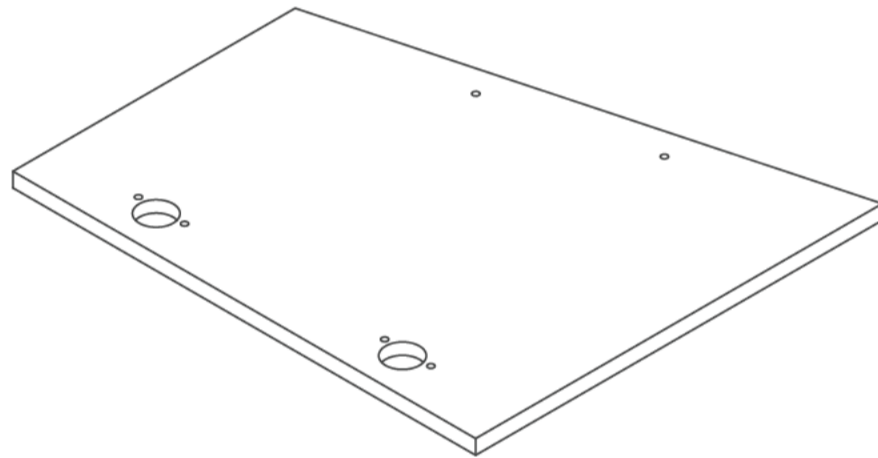
⑤ X1



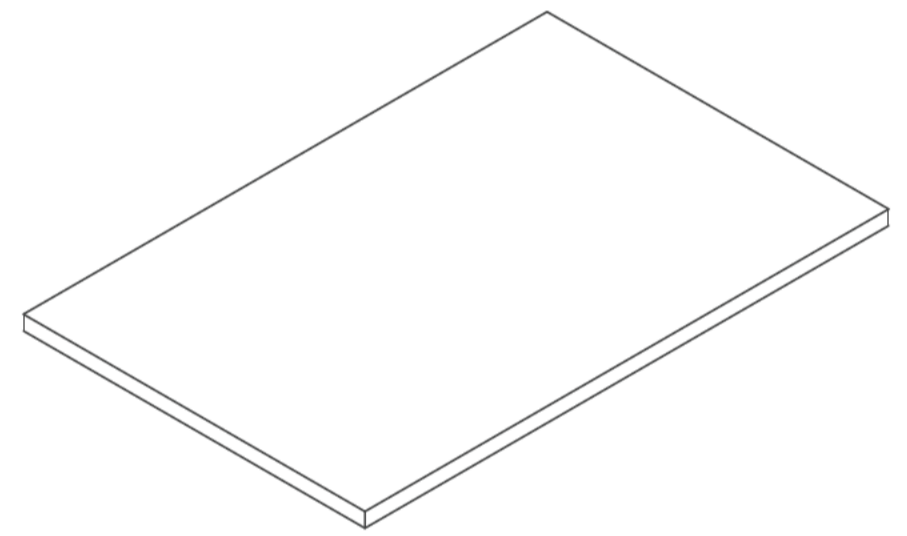
⑥ X1



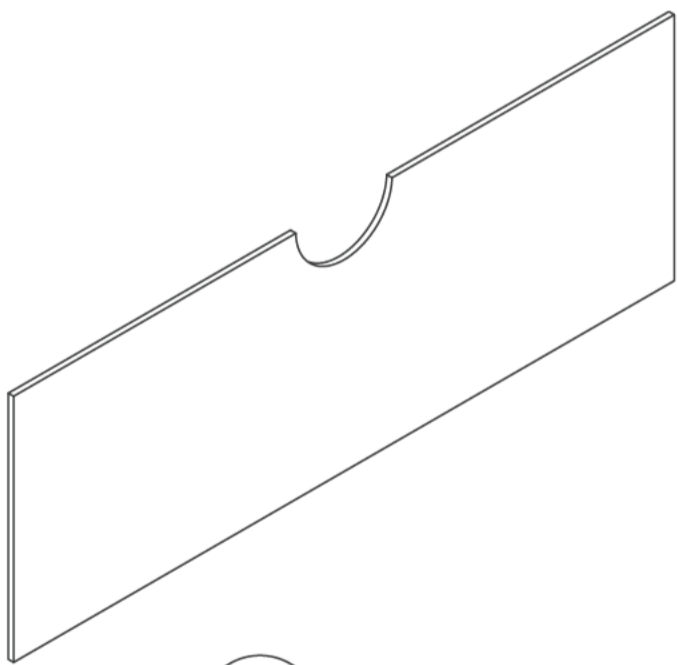
⑦ X1



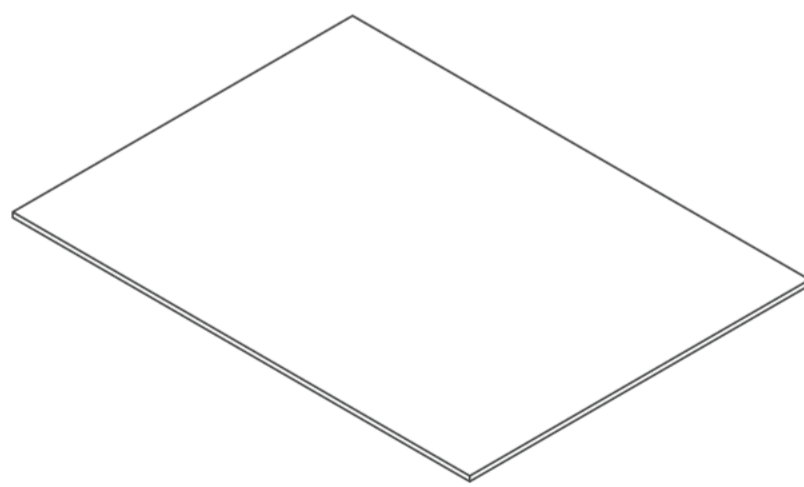
⑧ X4



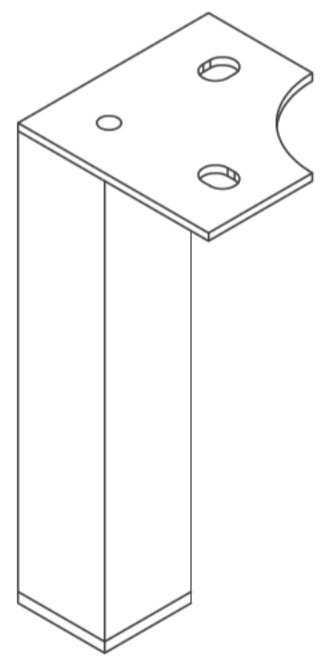
⑨ X2



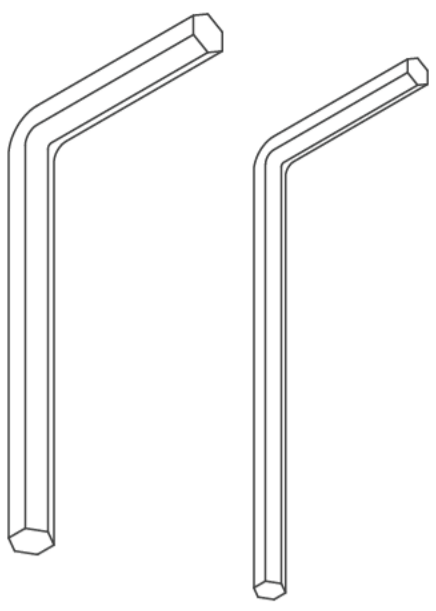
⑩ X2



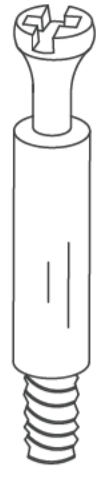
⑪ X4



⑫ X6



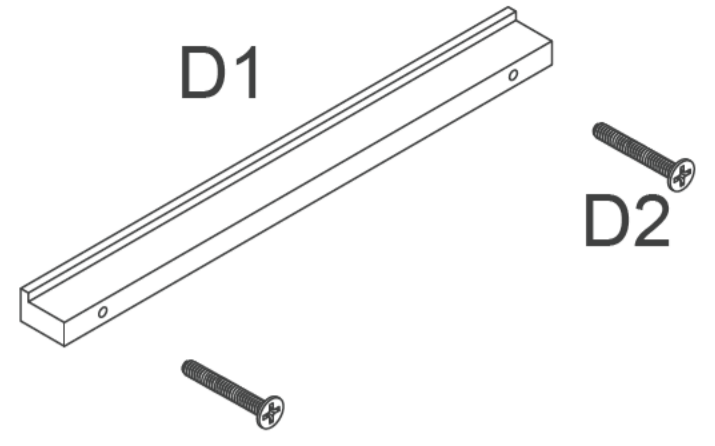
**A** X1



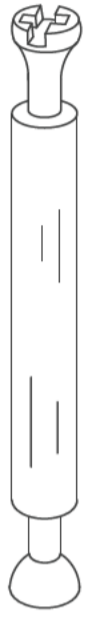
**B** X10



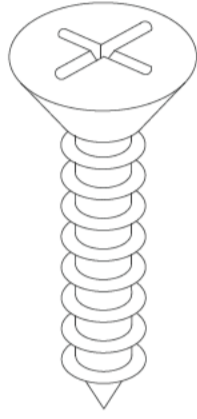
**C** X14



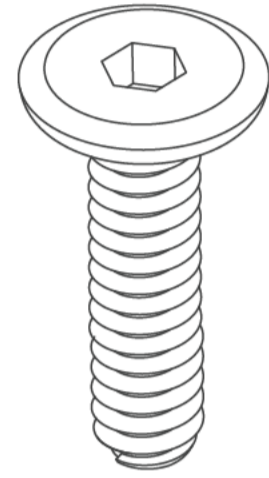
**D** X4



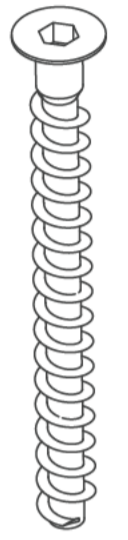
**E** X2



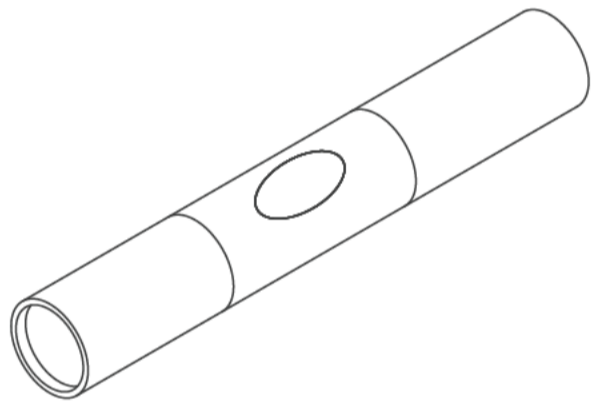
**F** X60



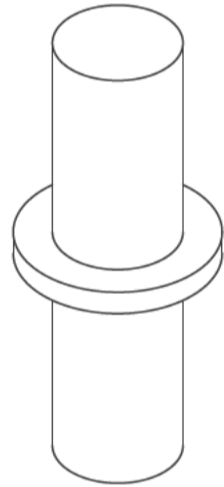
**G** X12



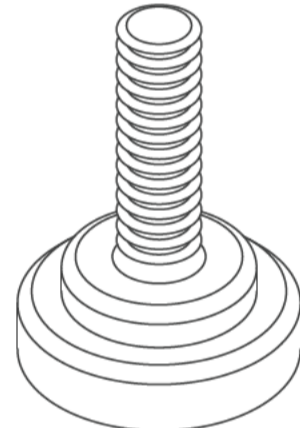
**H** X6



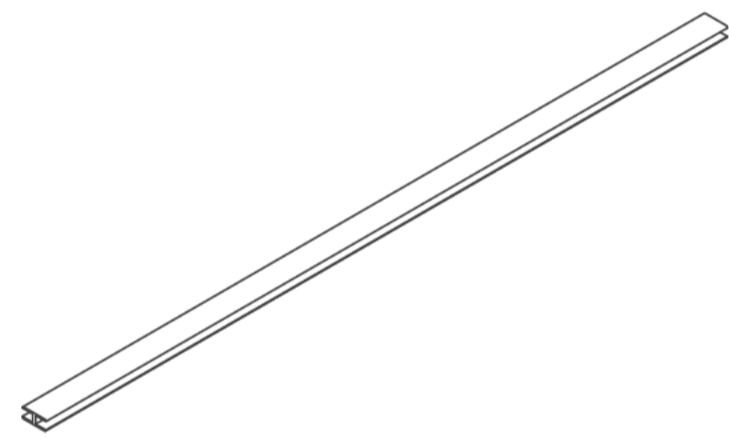
**I** X1



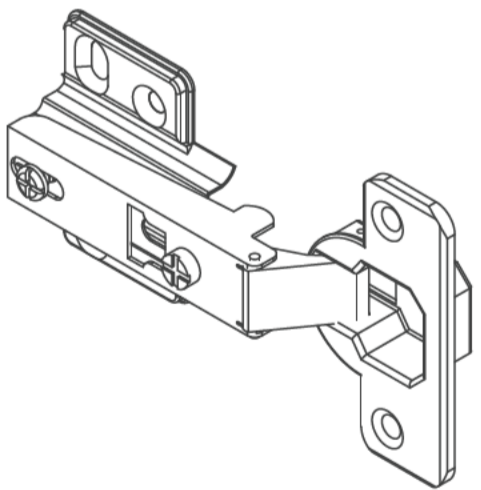
**J** X8



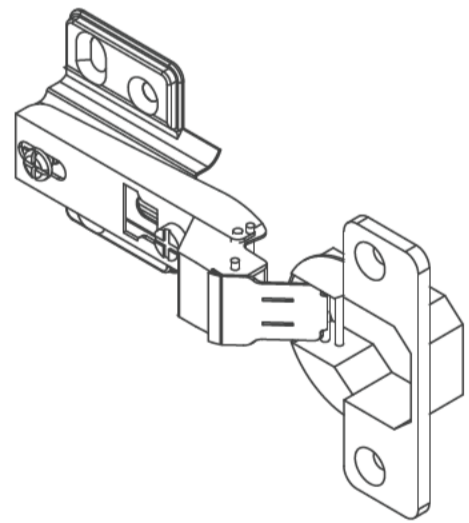
**K** X6



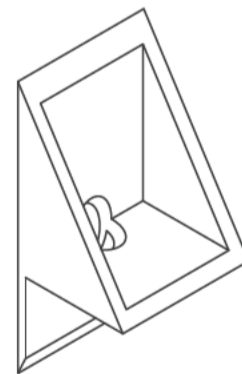
**L** X2



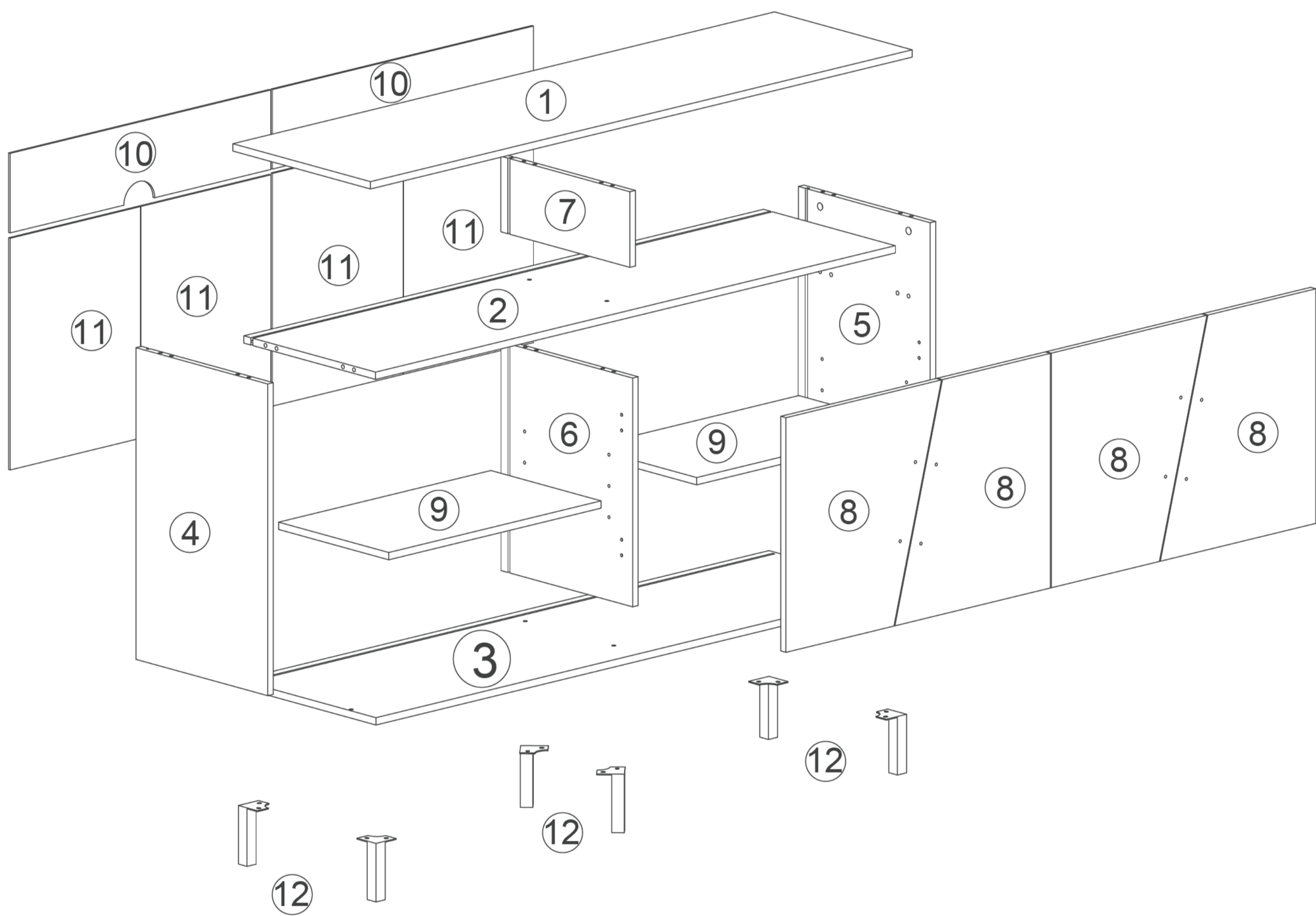
**M** X4



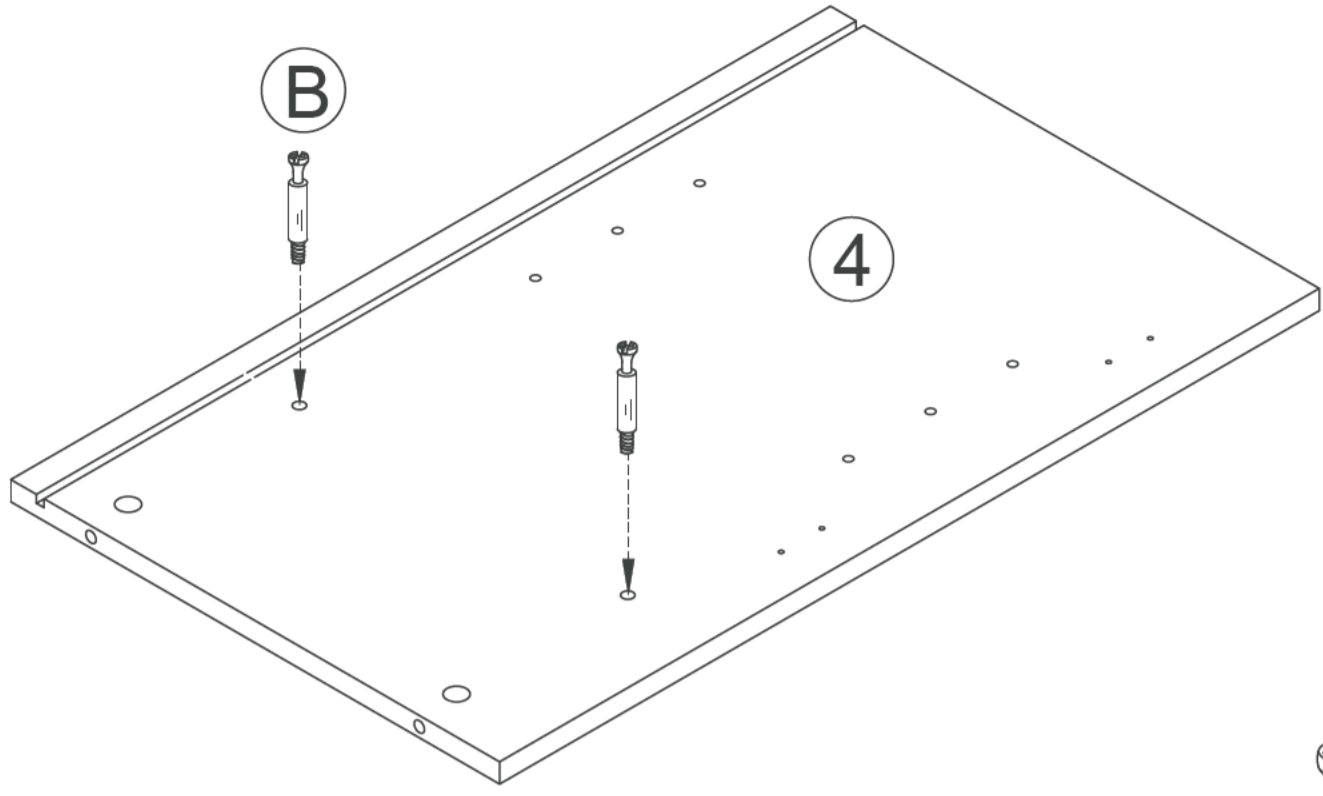
**N** X4



**O** X12

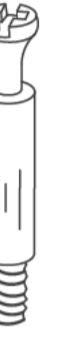
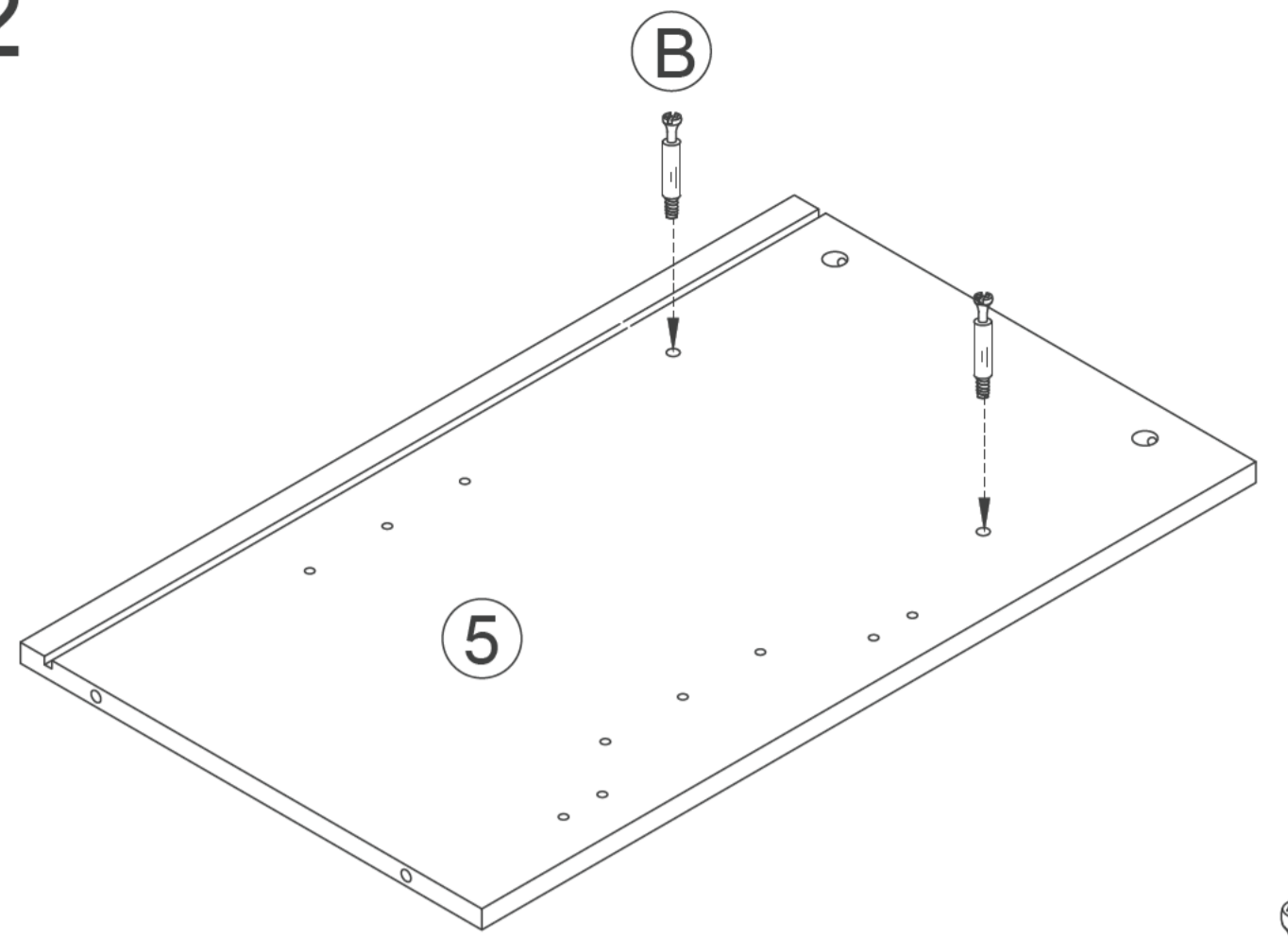


1



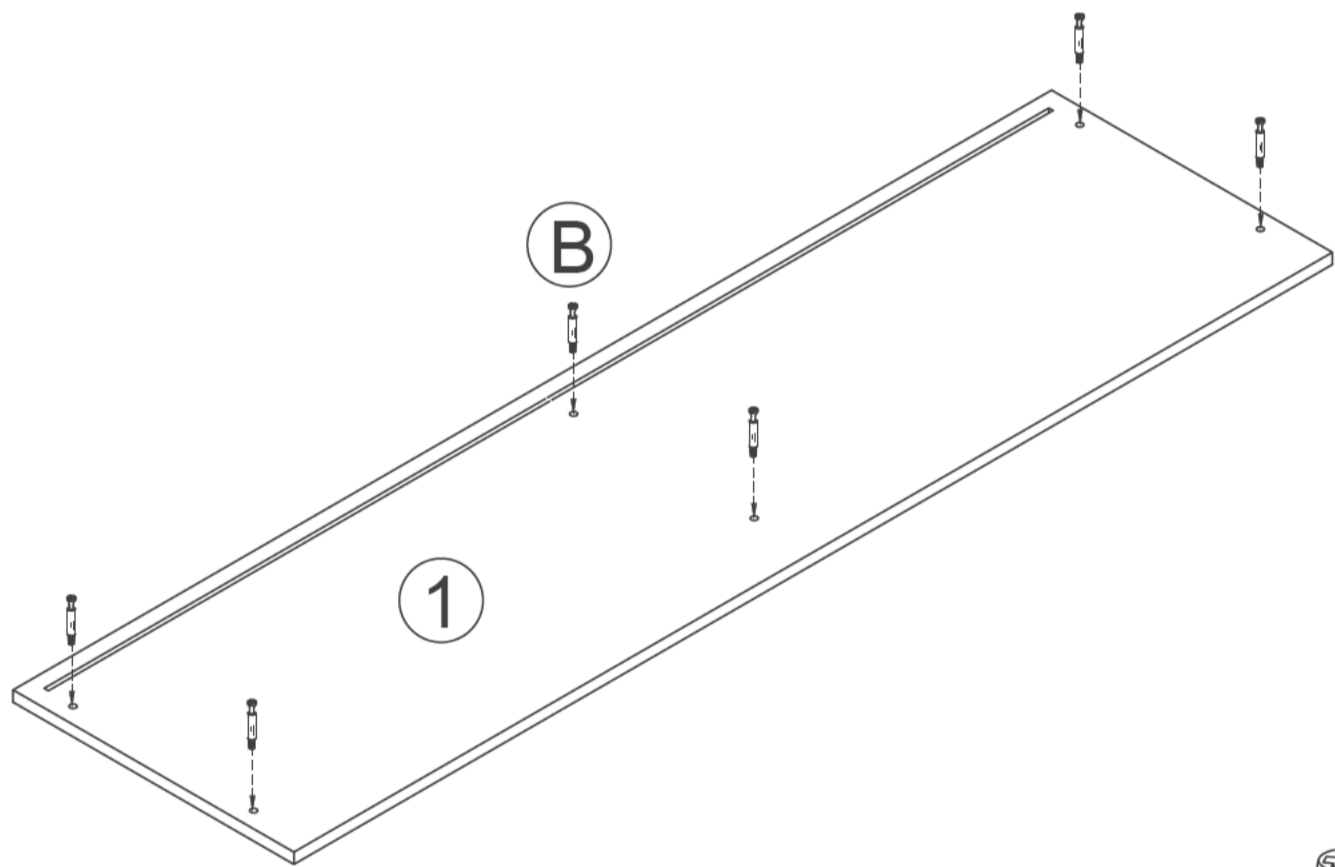
(B)X2

2



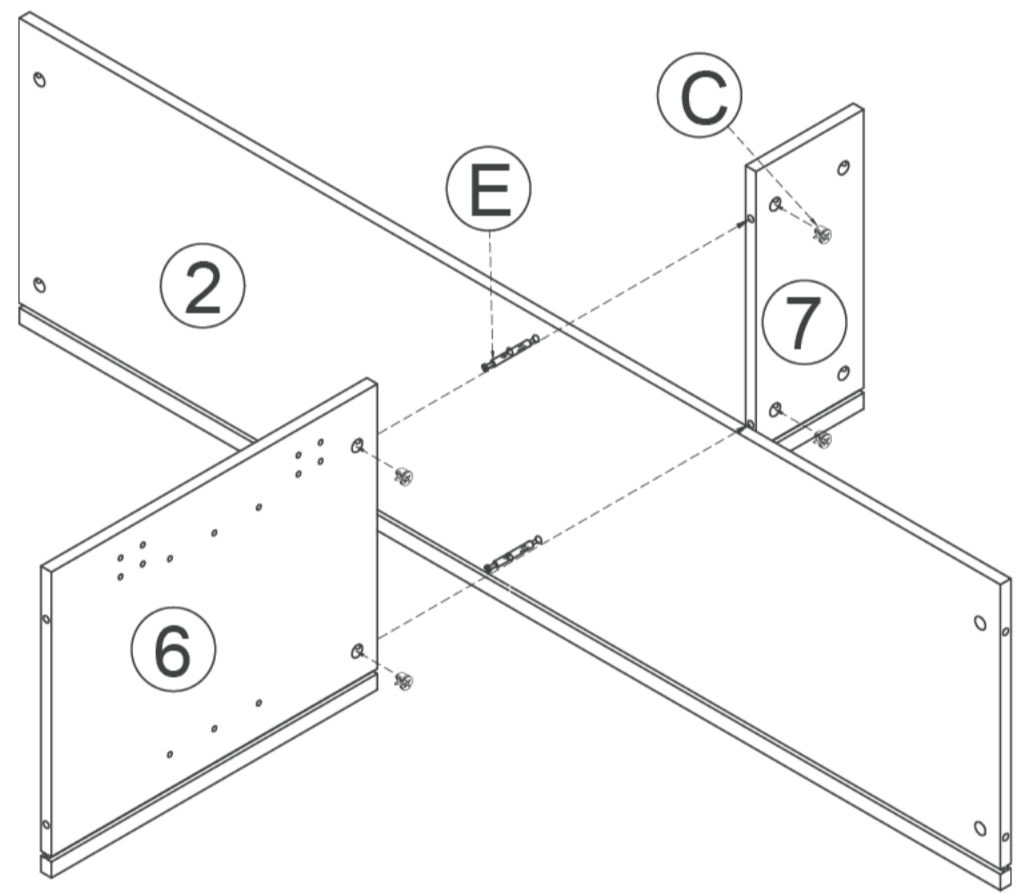
(B)X2

3



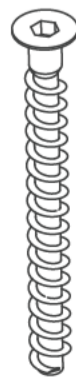
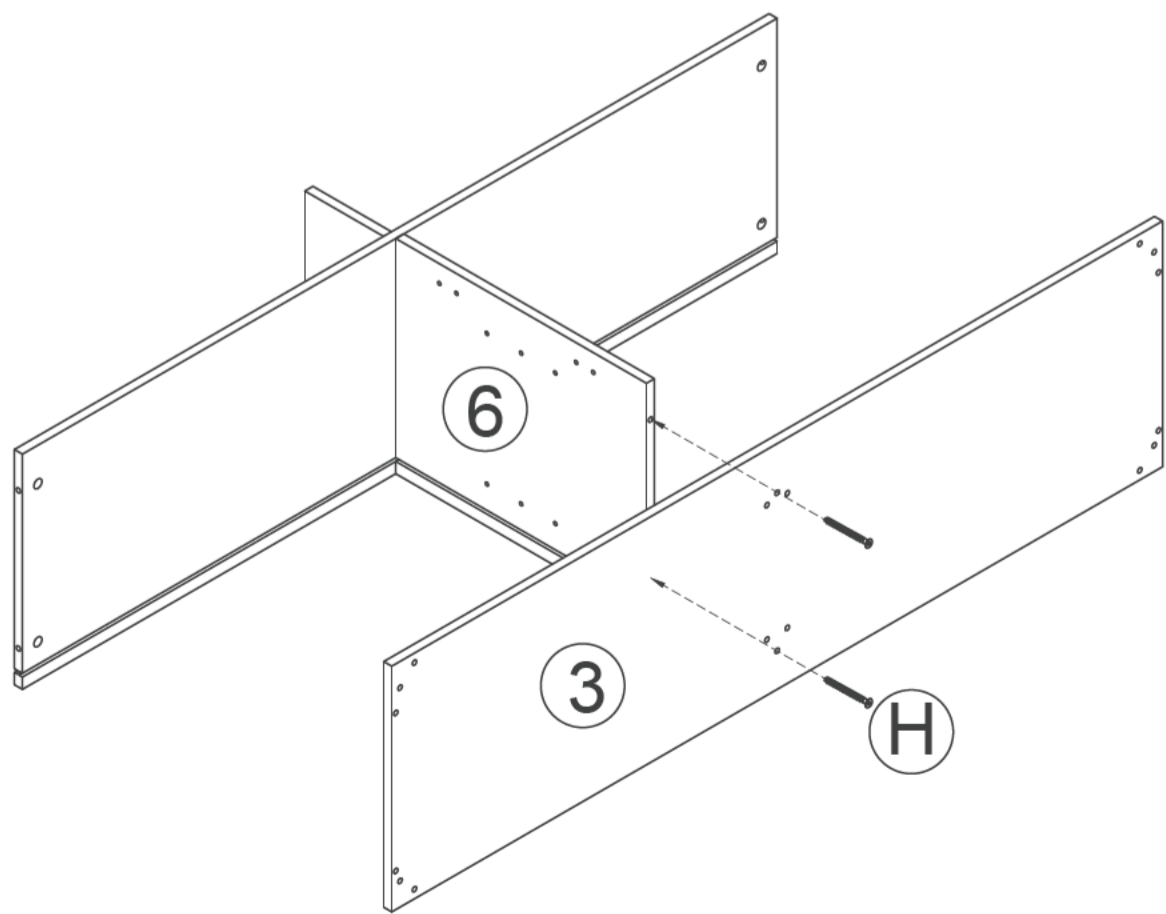
(B)X6

4



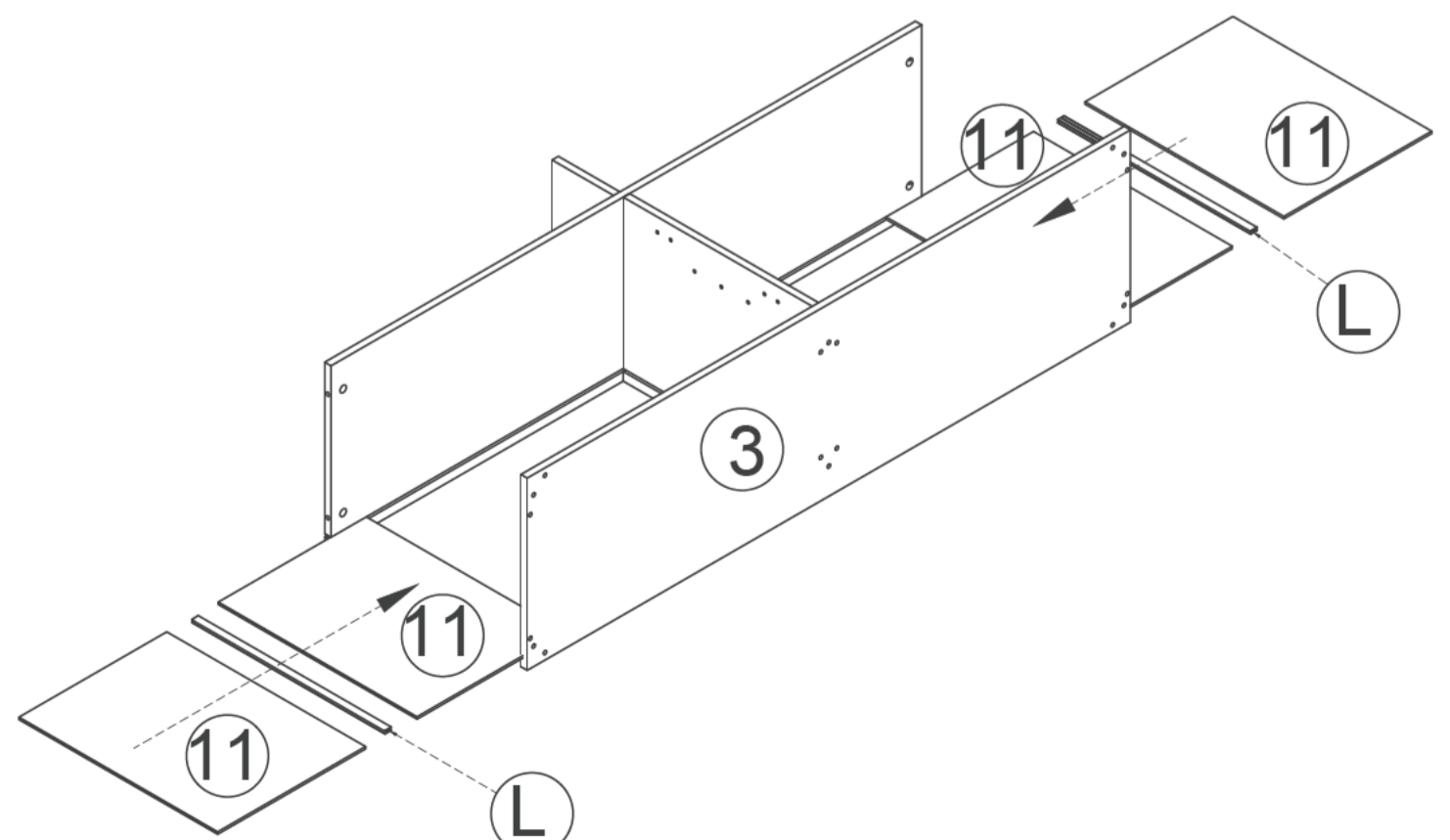
(C)X4 (E)X2

5

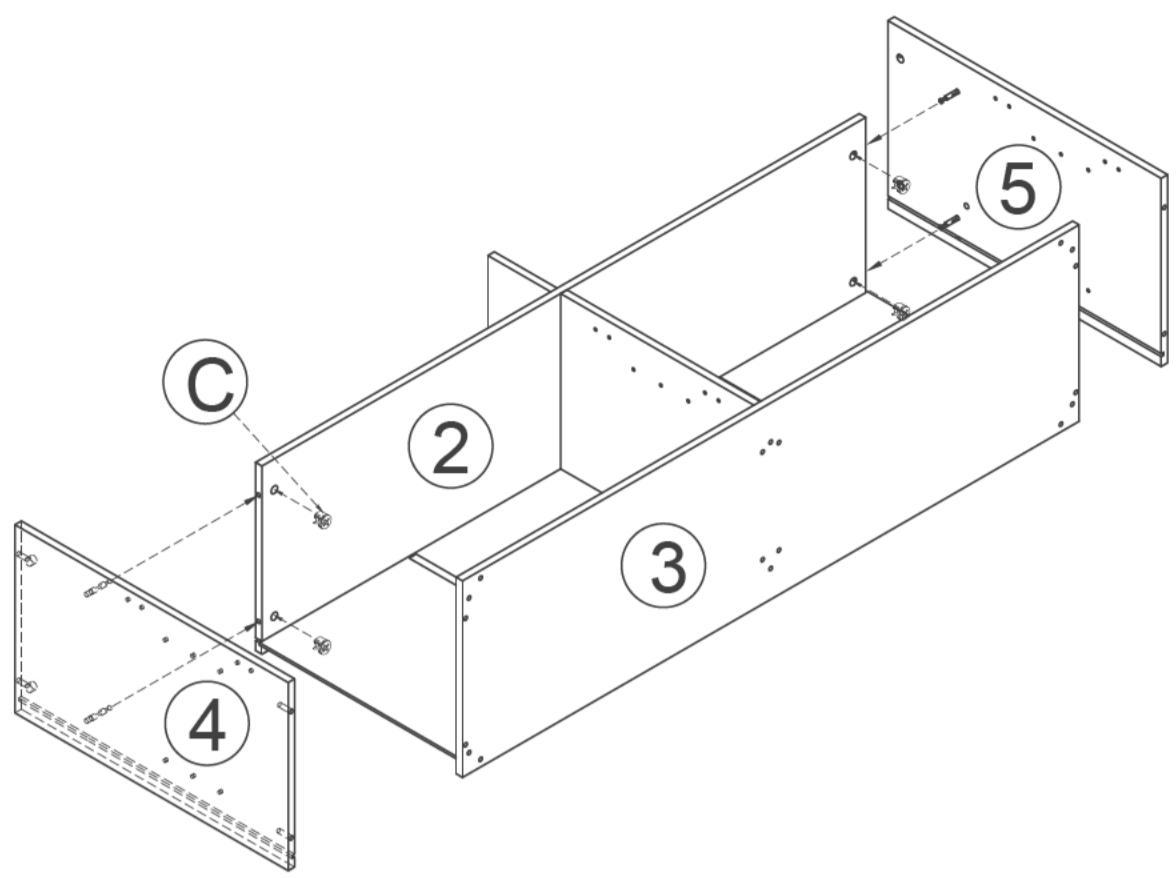


(H)X2

6

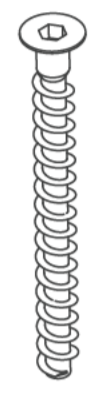
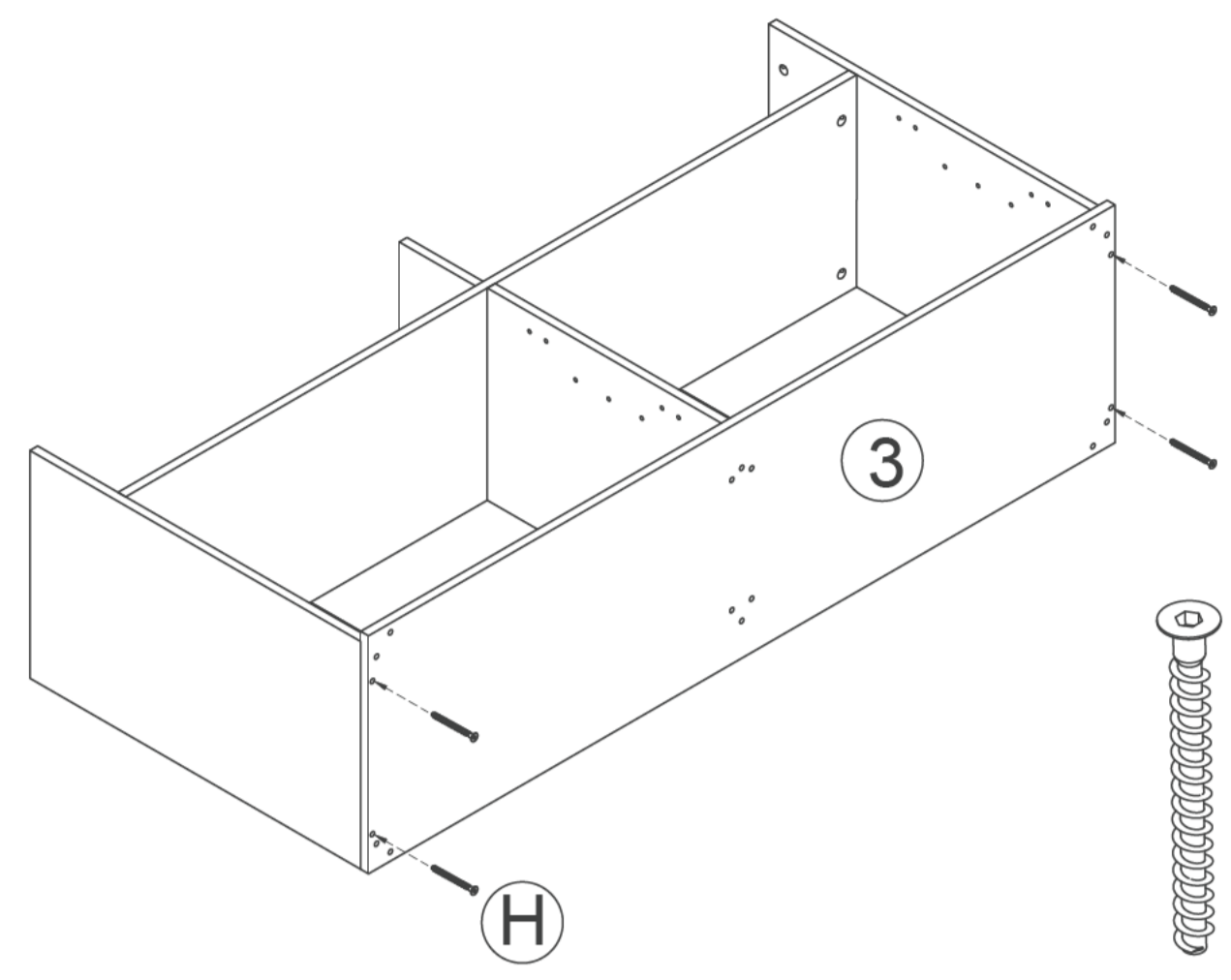


7



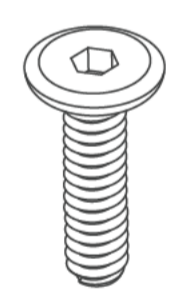
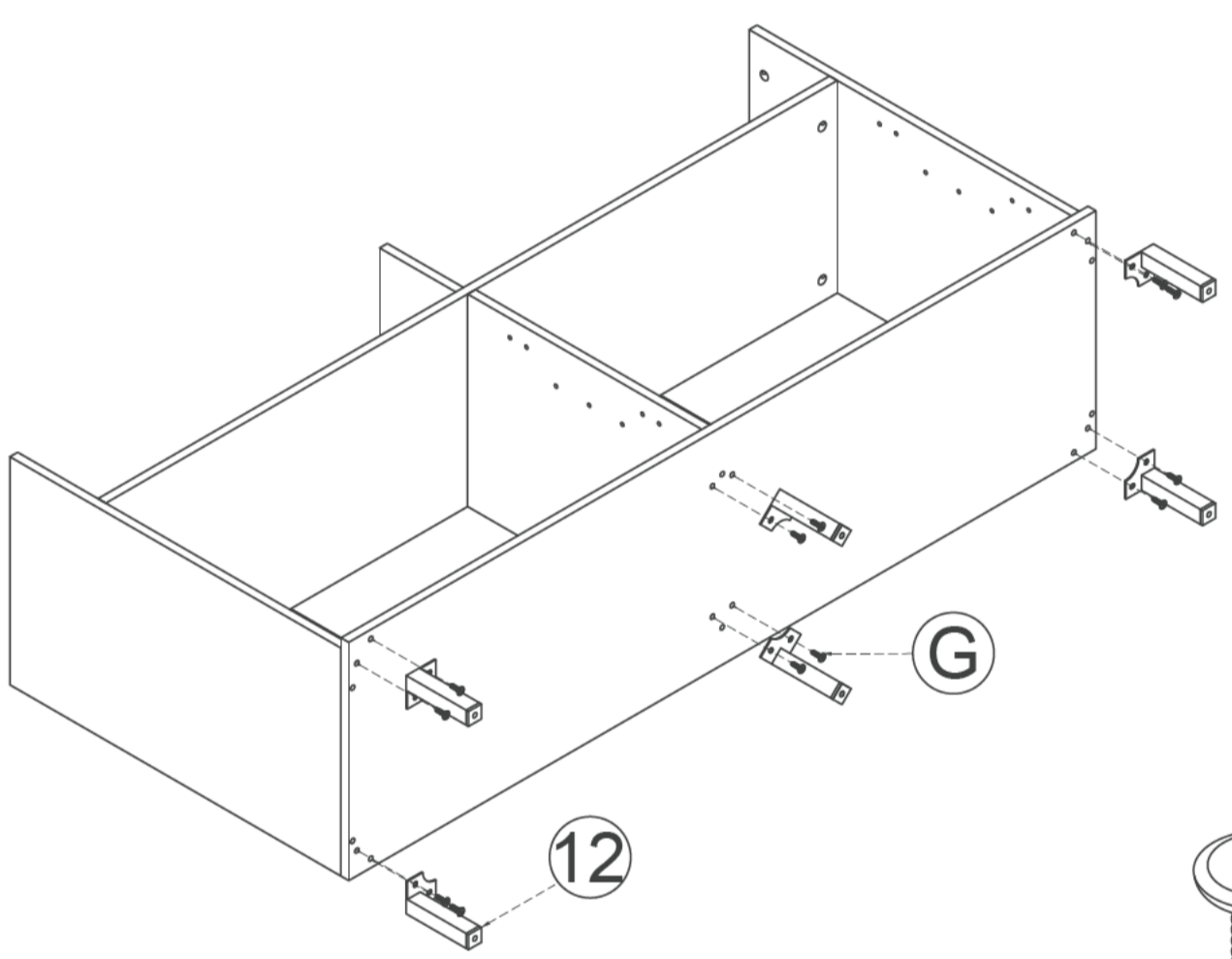
C X4

8



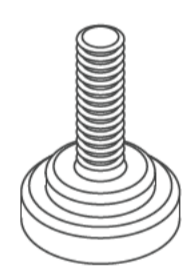
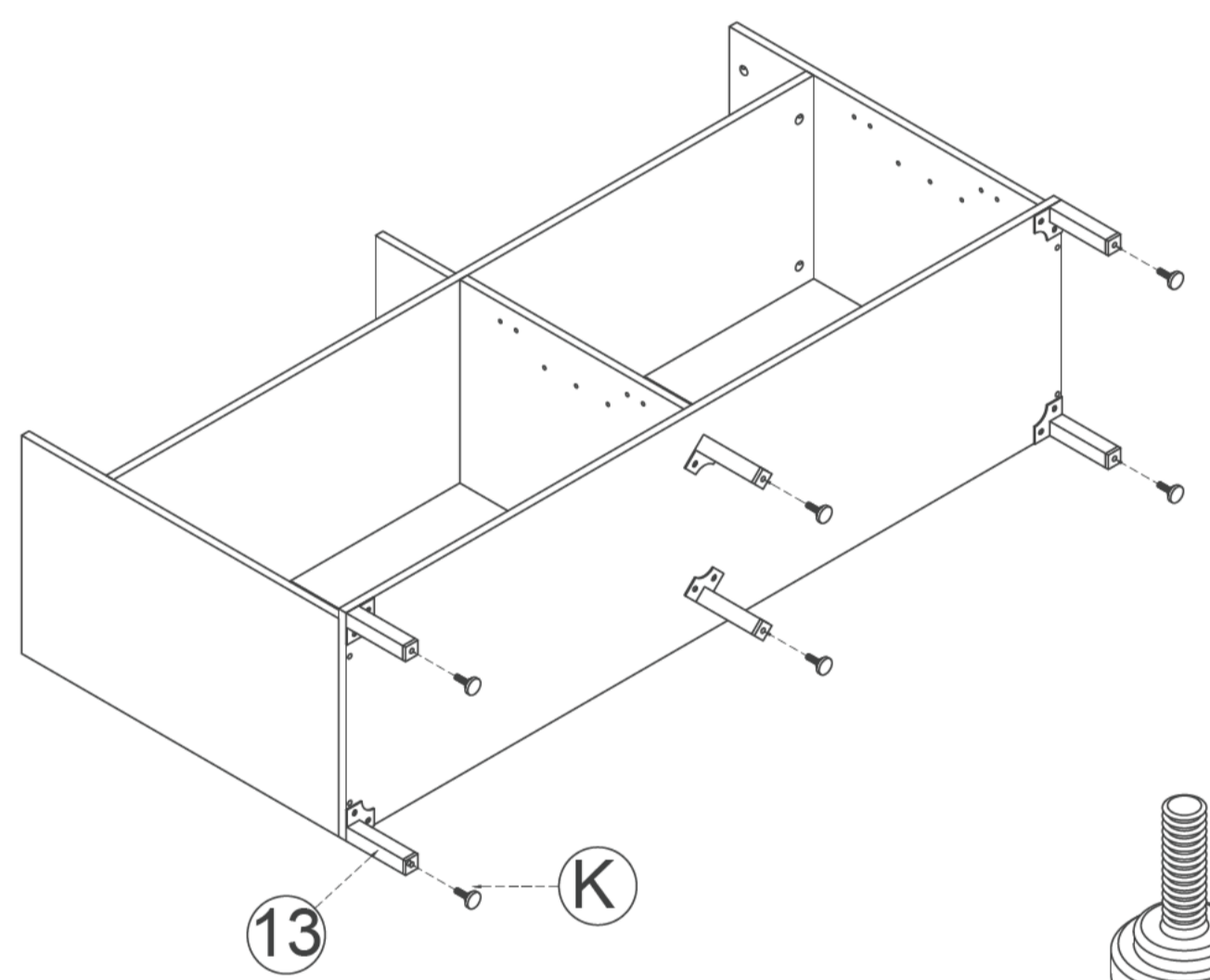
H X4

9



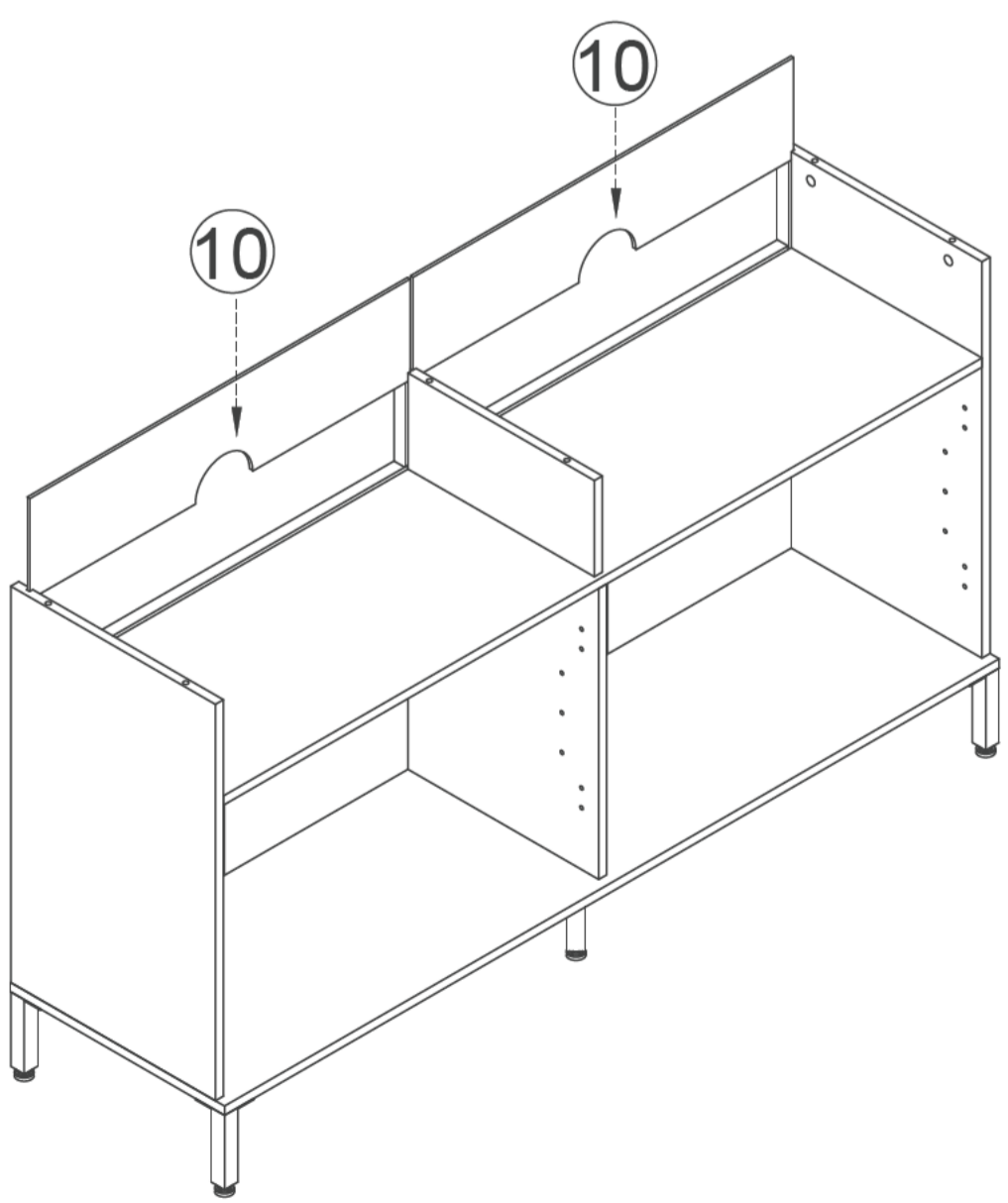
G X12

10

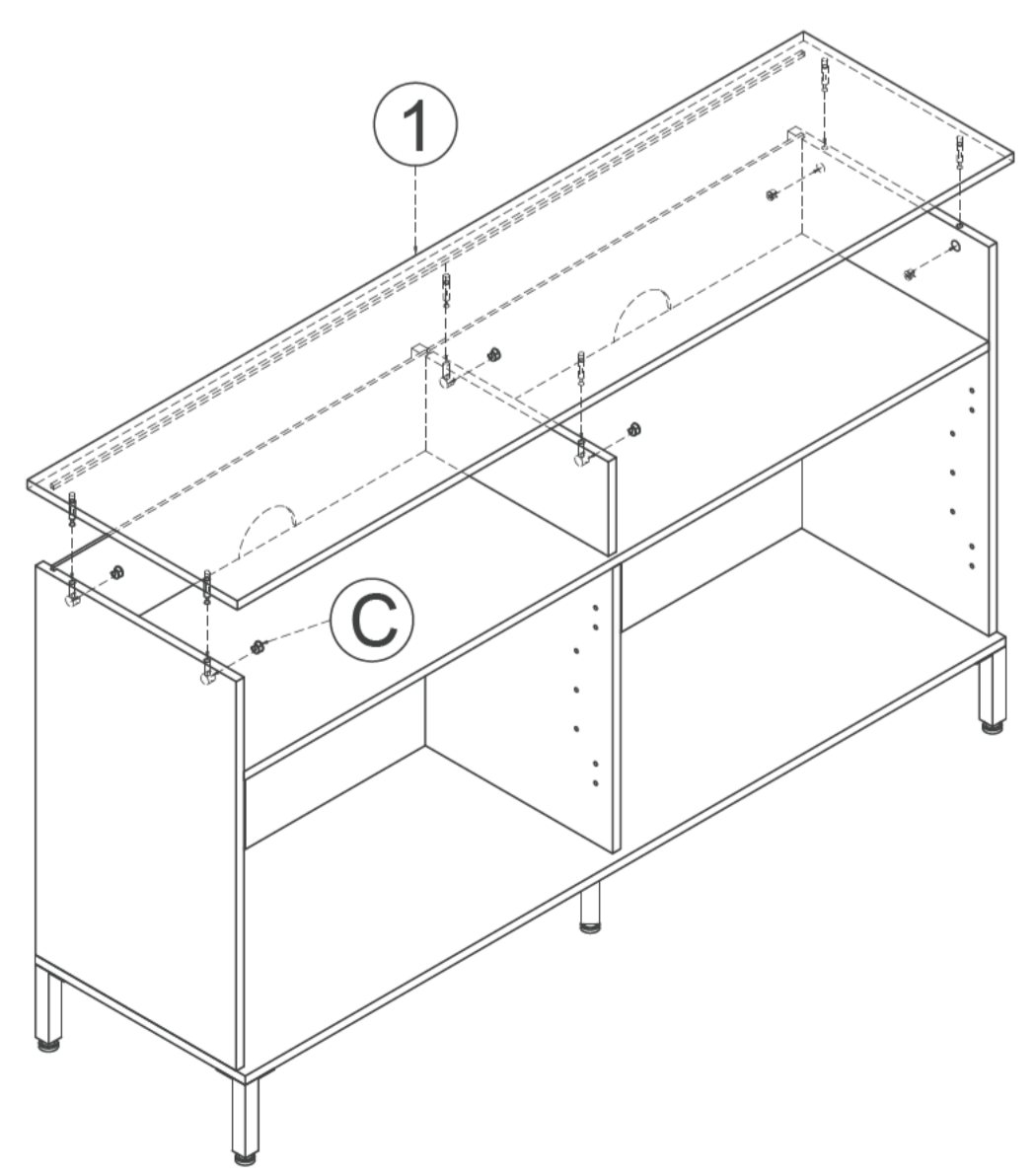


K X6

11

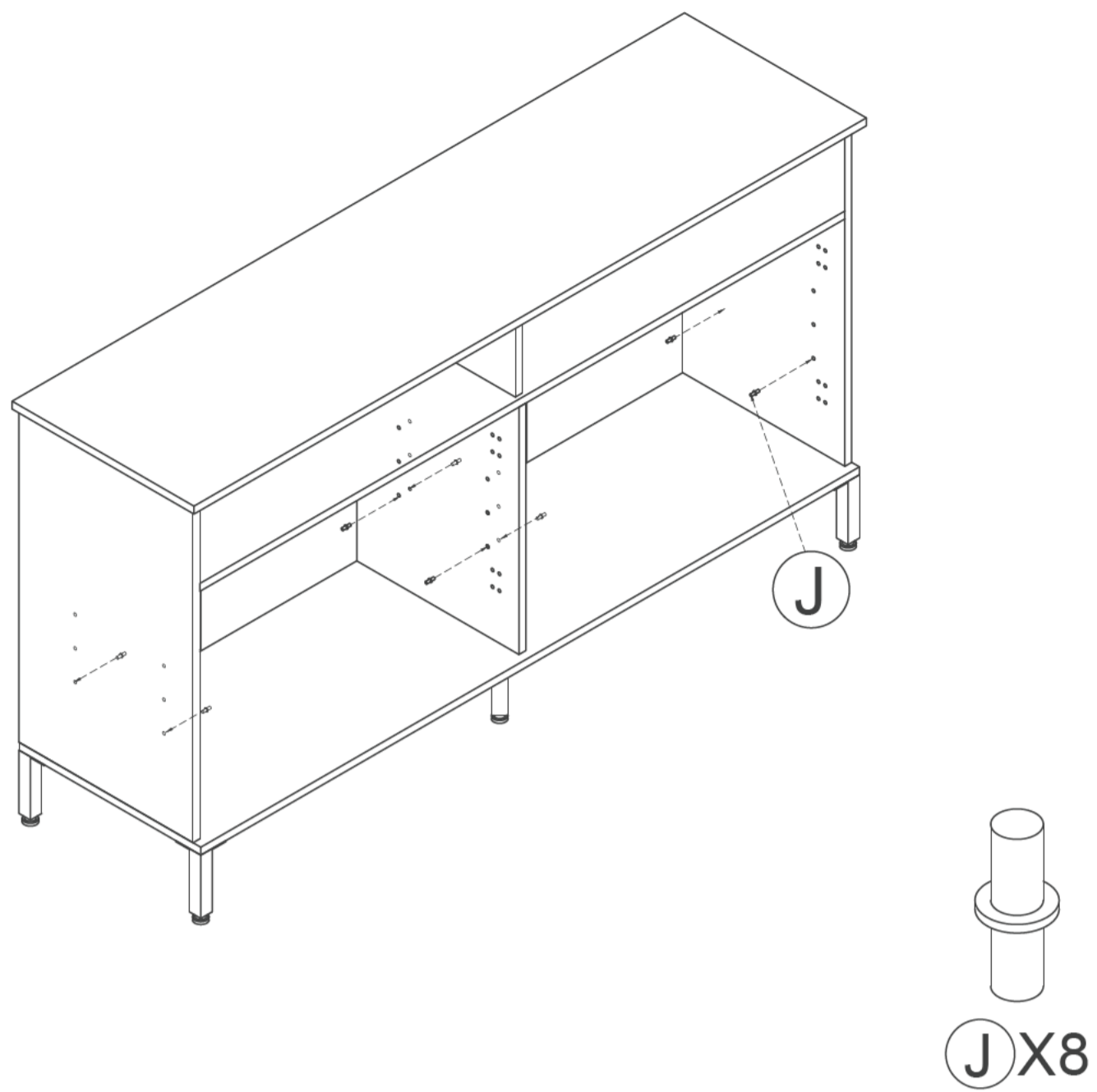


12

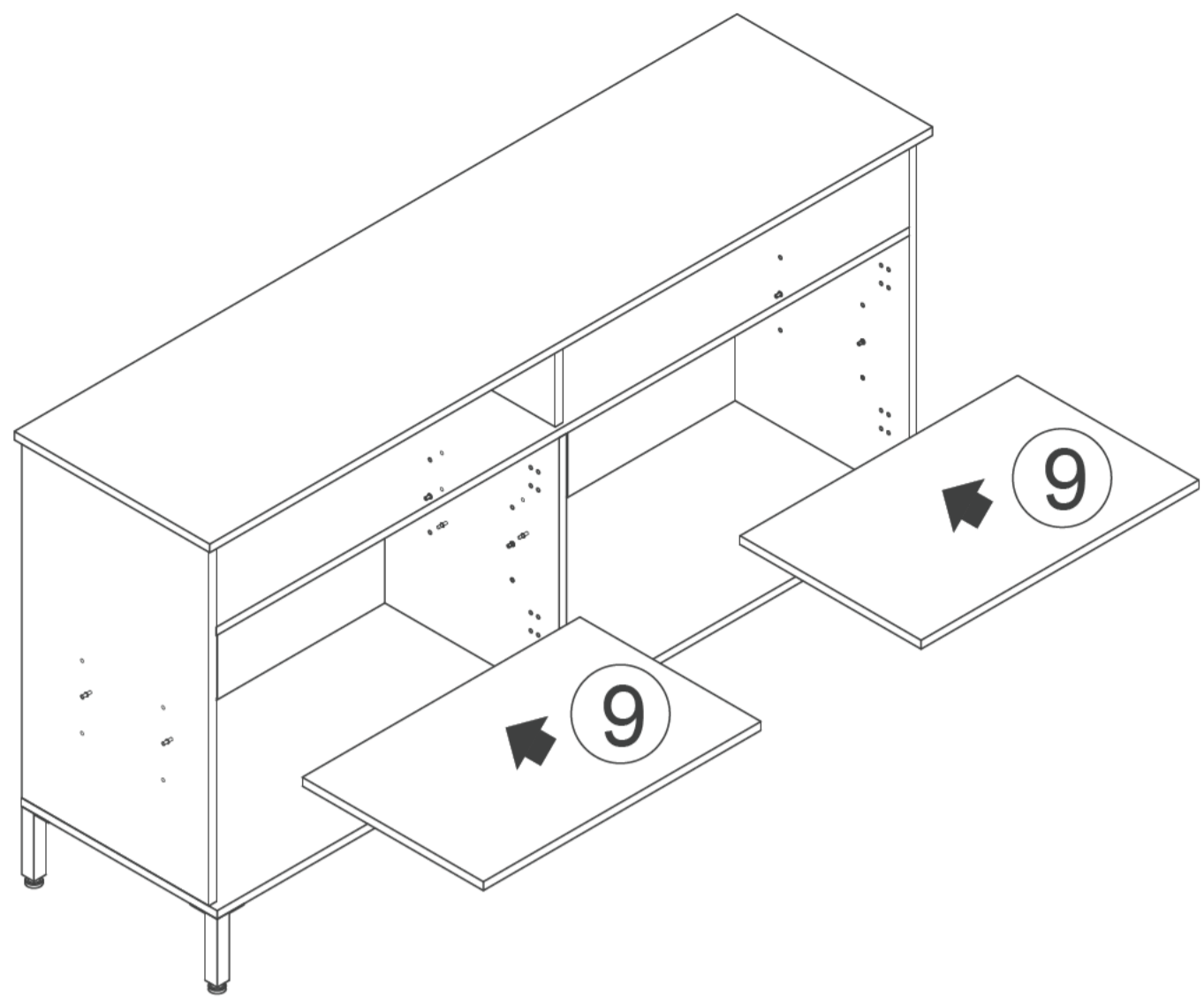


C X6

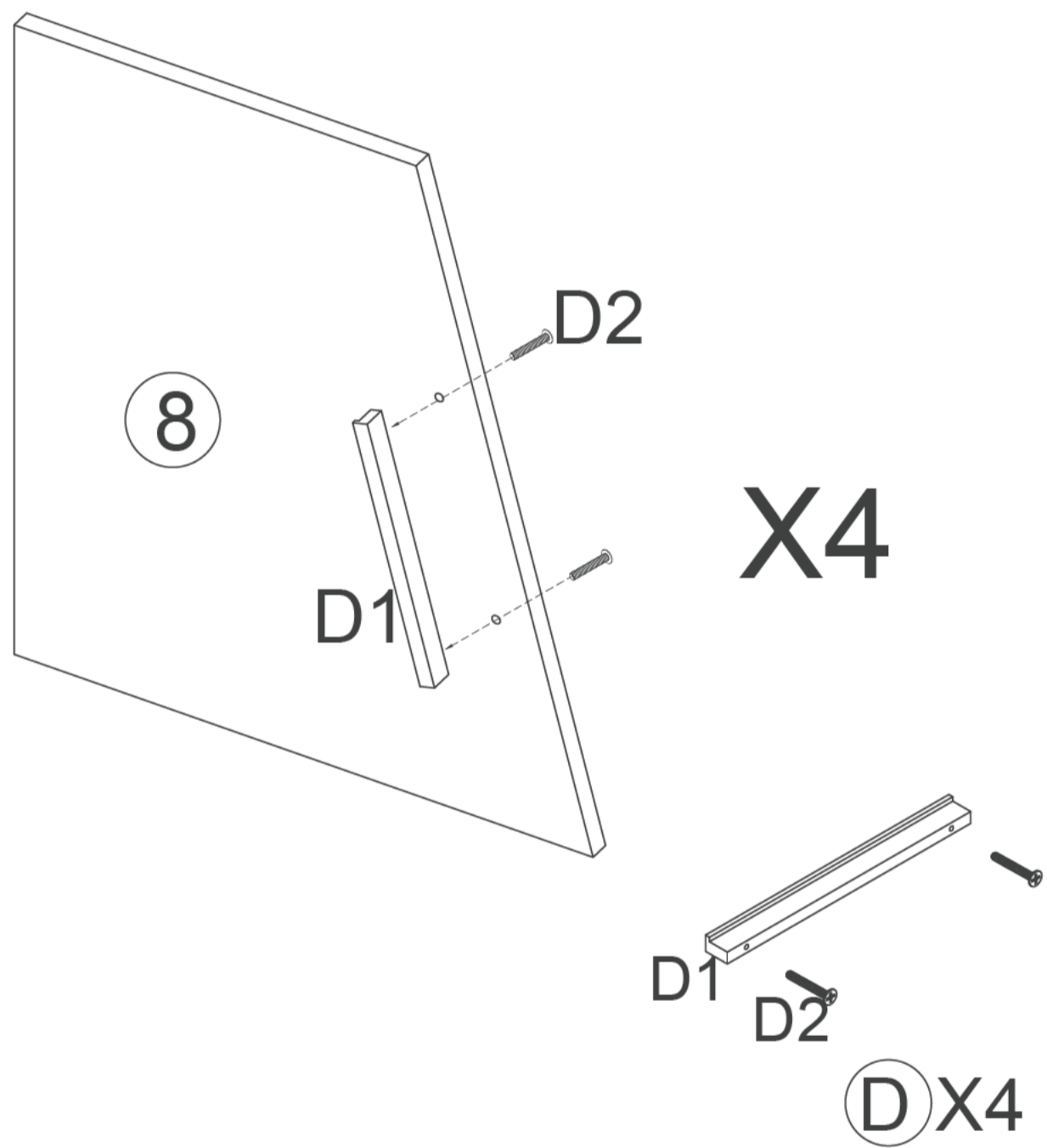
13



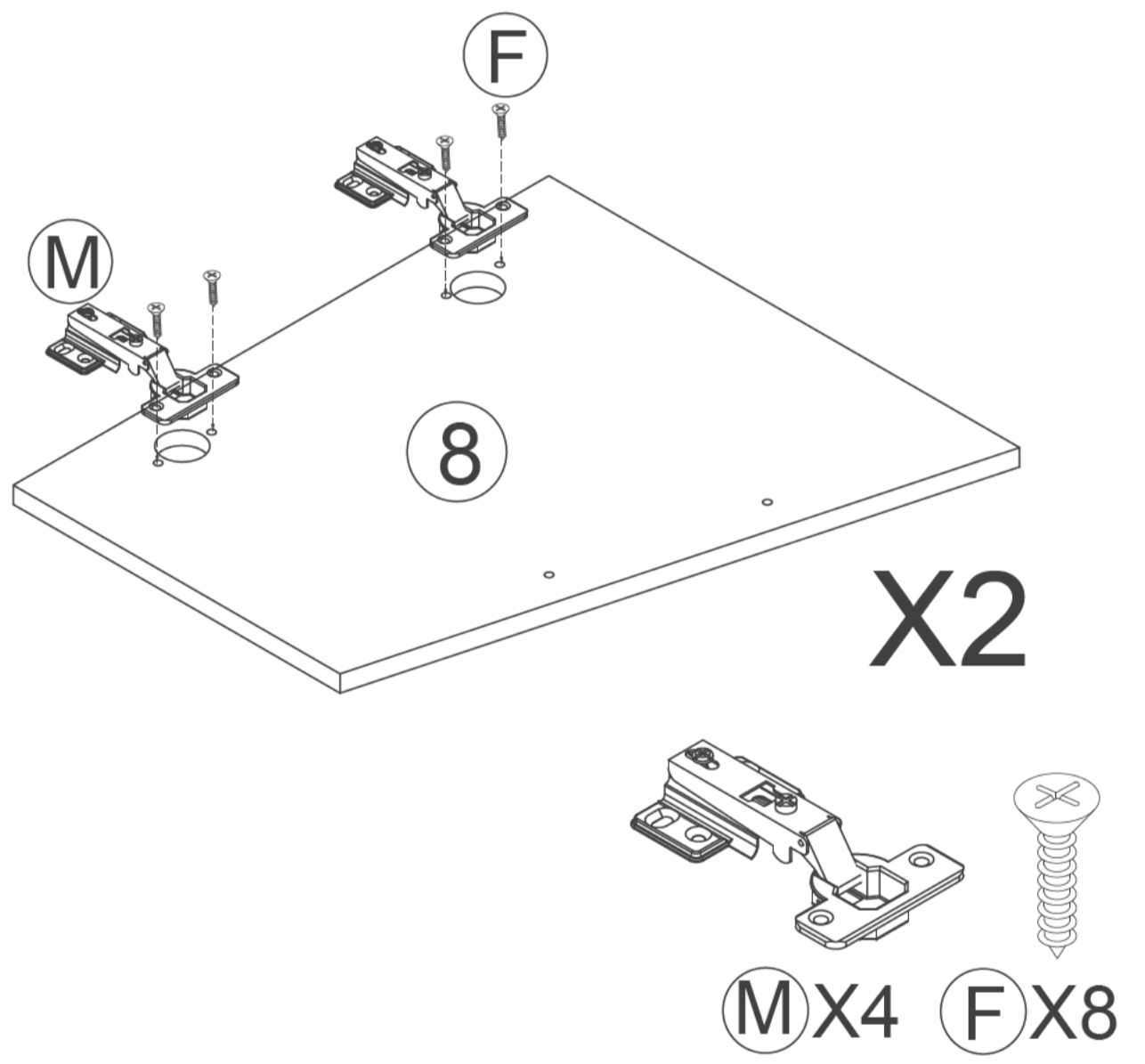
14



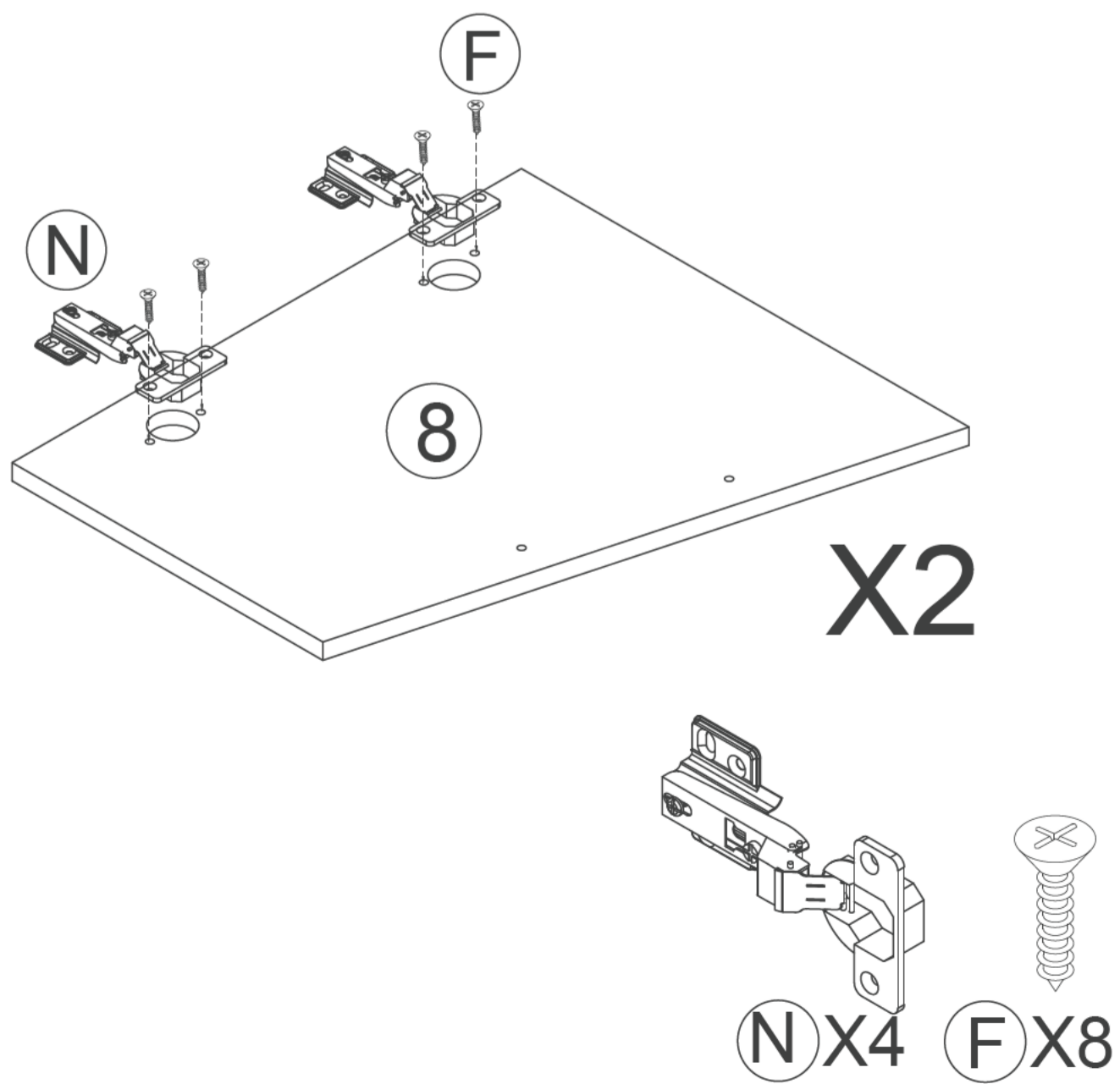
15



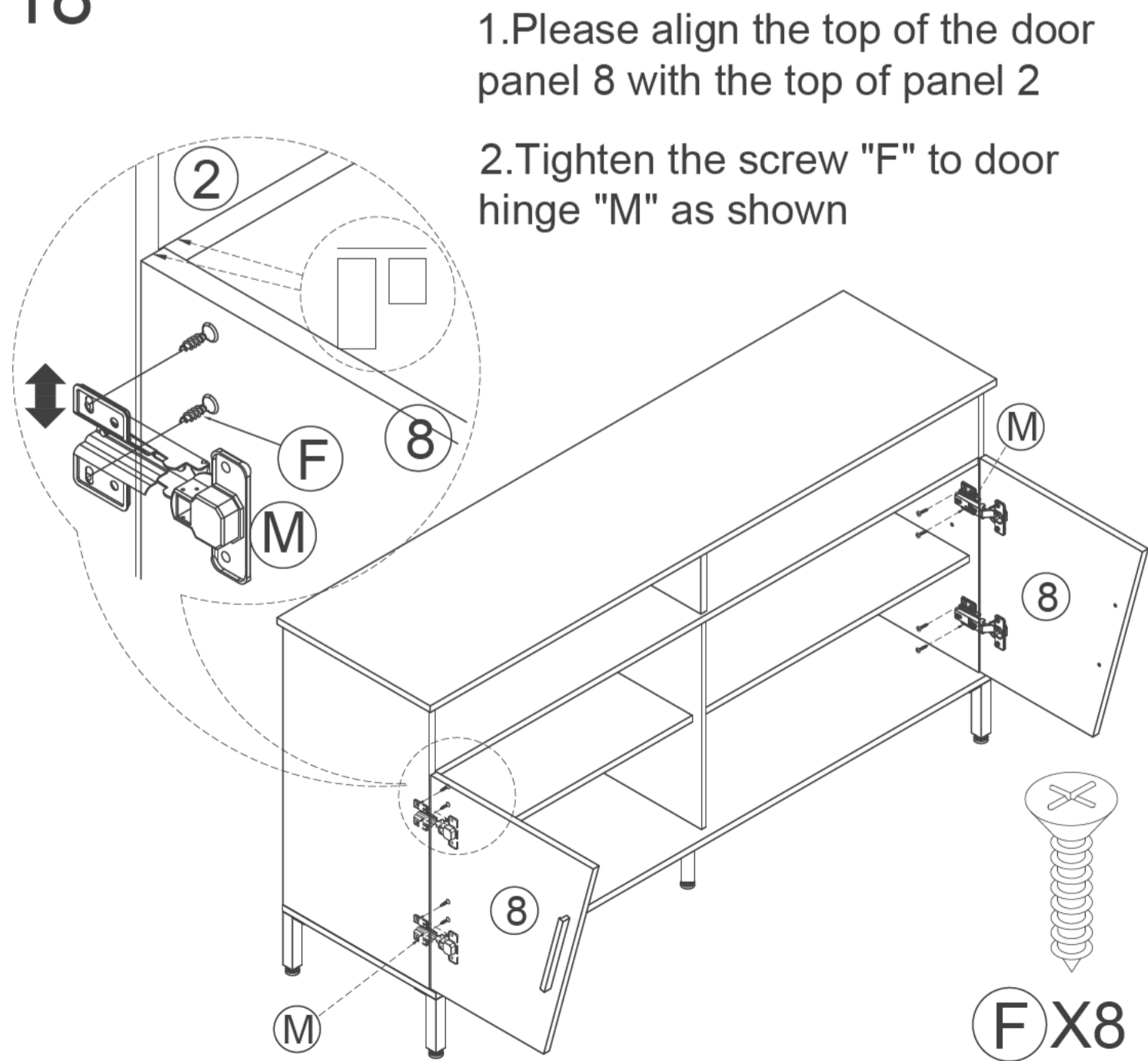
16



17

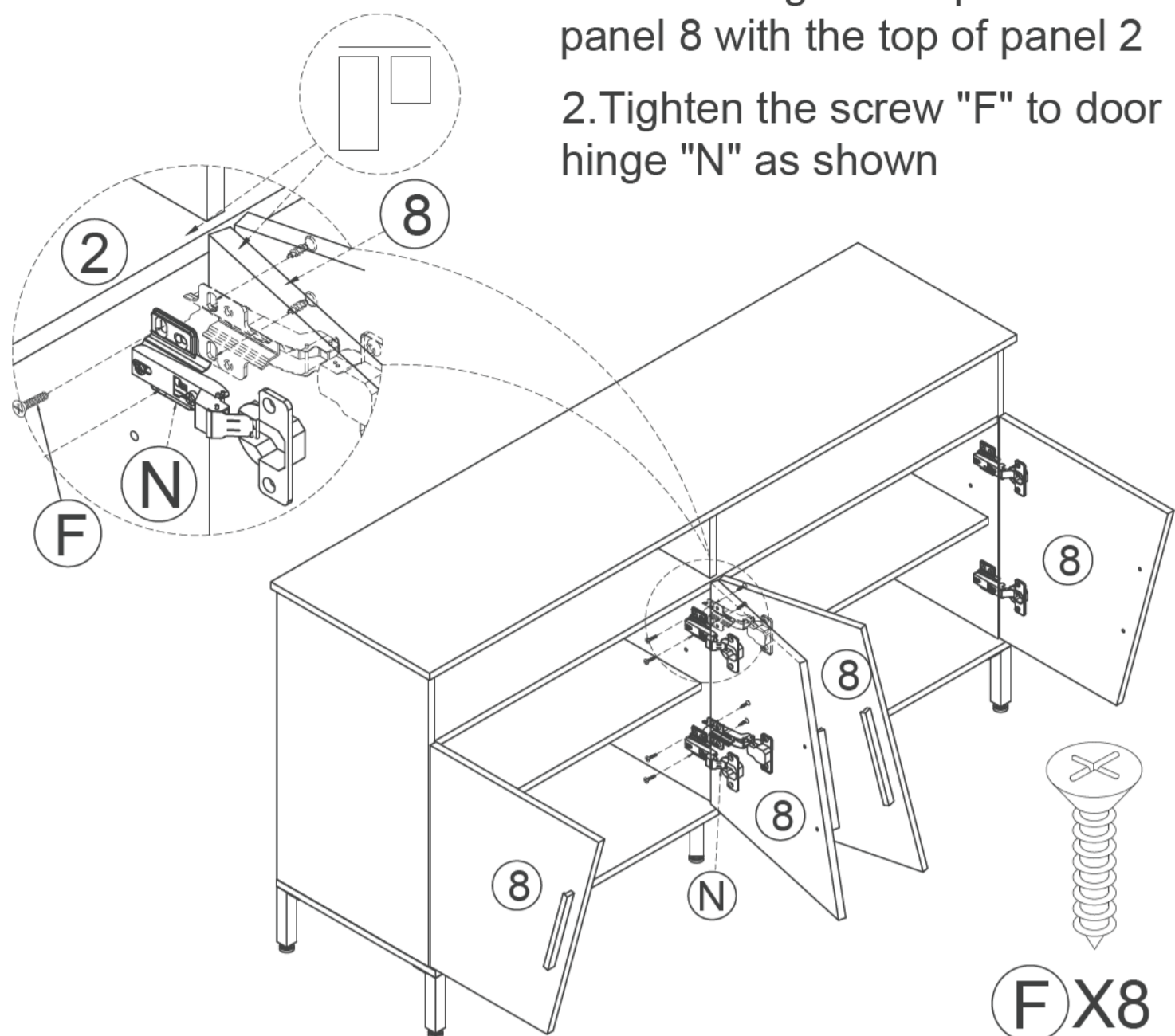


18



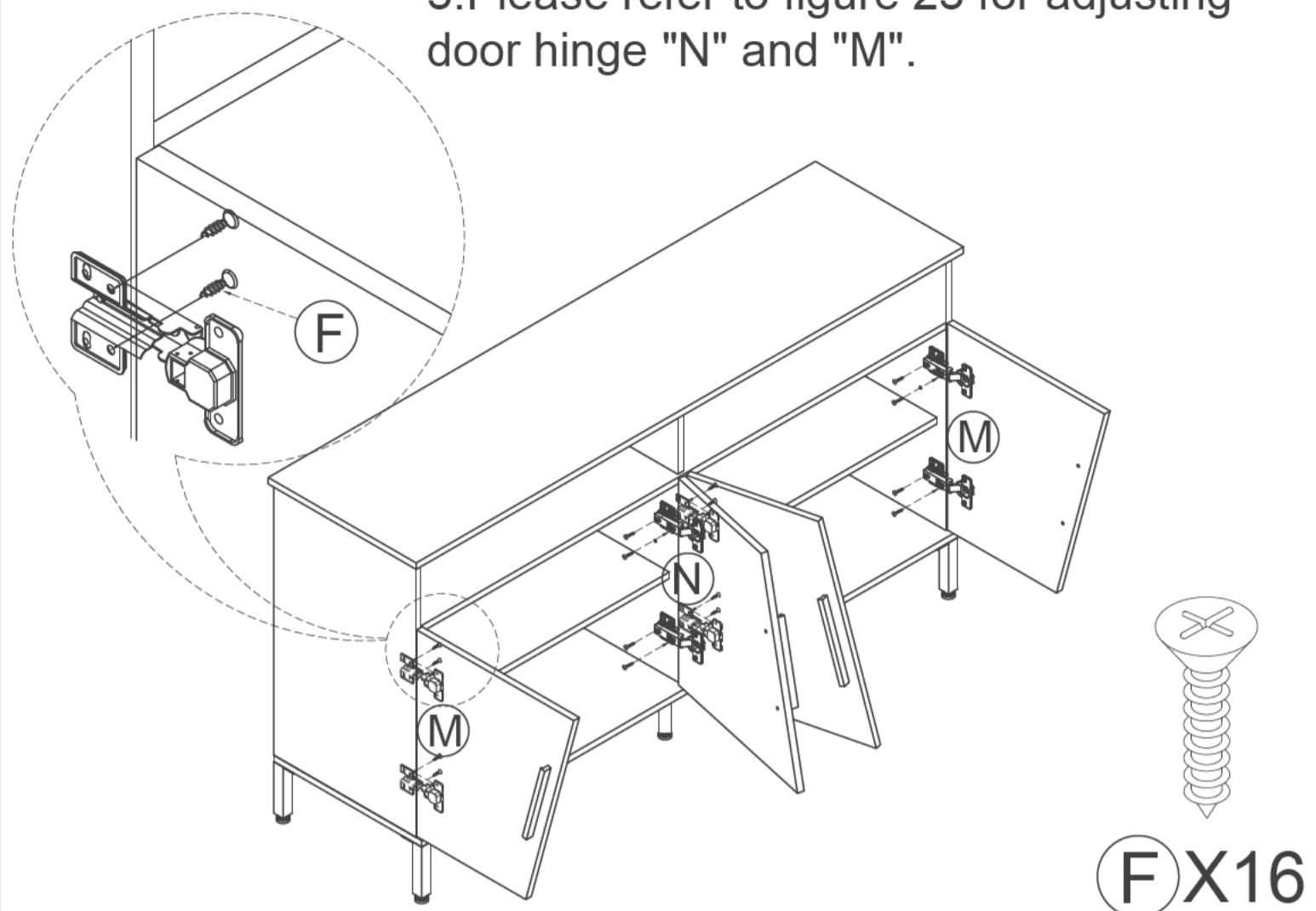
19

1. Please align the top of the door panel 8 with the top of panel 2
2. Tighten the screw "F" to door hinge "N" as shown

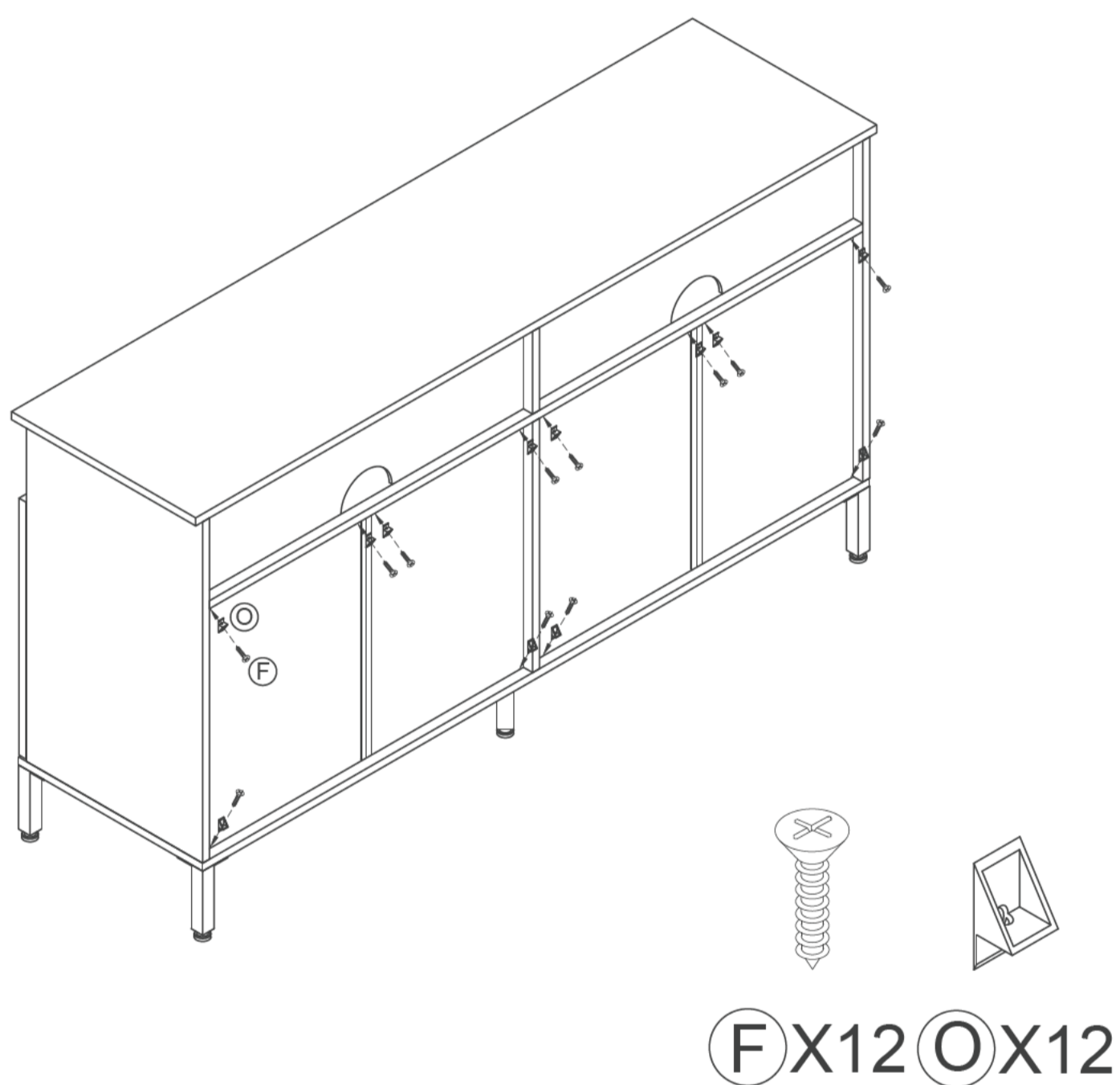


20

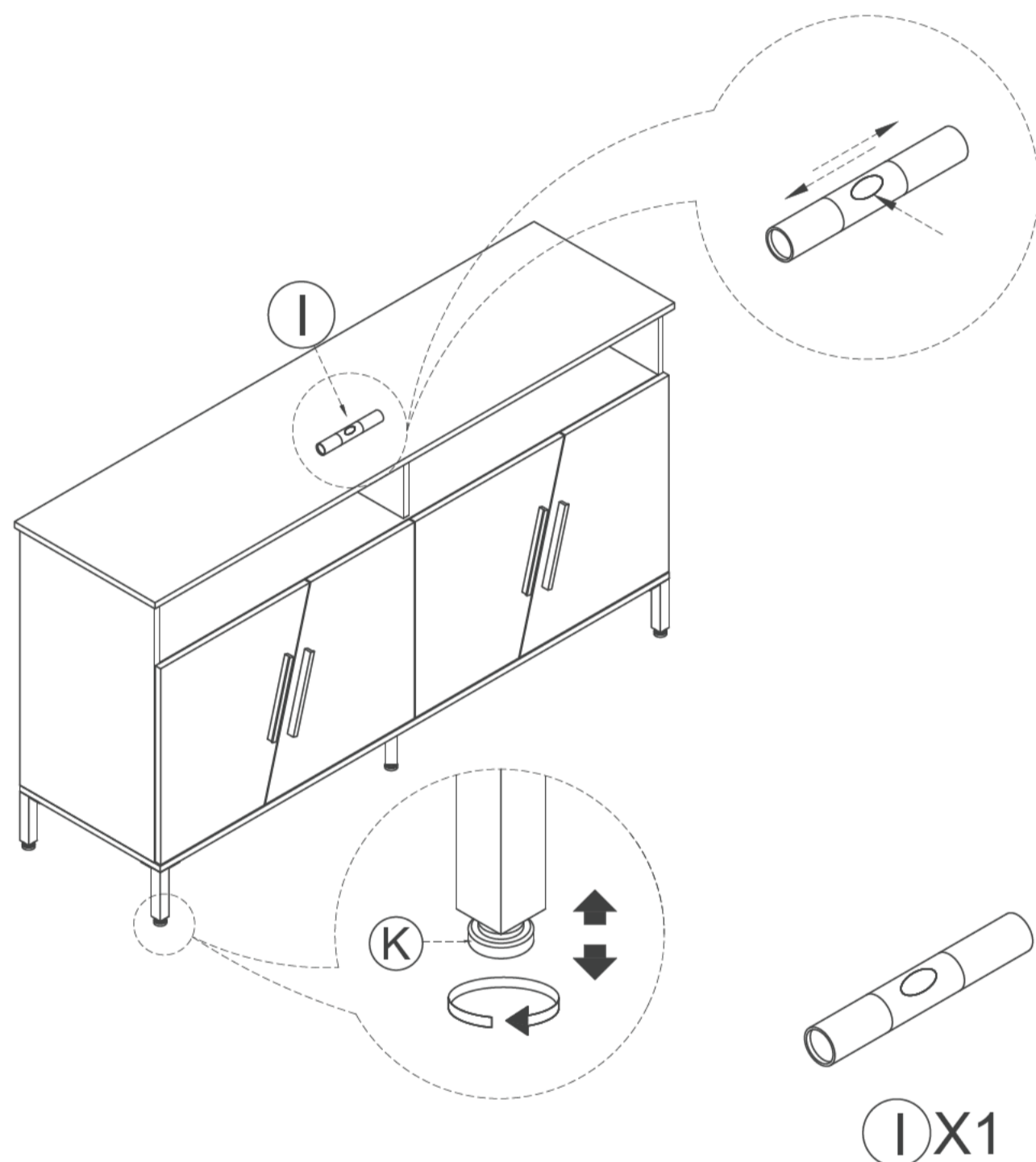
1. After the door plate is fixed, tighten other screws to the door hinge "N" and "M"
2. Adjust the door hinge "N" and "M" to the normal position
3. Please refer to figure 23 for adjusting door hinge "N" and "M".



21



22



23

1. Adjust this screw, so the door can be fine-tuned forward and backward

2. Tighten or loose this screw, so the door can be fine-tuned left and right

