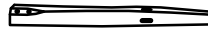
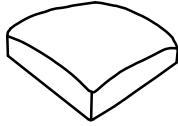
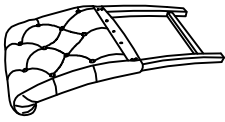


# ASSEMBLY INSTRUCTION

## COUNTER / BAR HEIGHT CHAIR

**A** Chair Back      **B** Seat      **C** Left Front Leg      **D** Right Front Leg



1pc

1pc

1pc

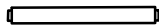
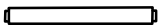
1pc

**E** Front Stretcher

**F** Side Stretcher

**G** Bolt  
M8x80mm

**H** Bolt  
M8x50mm



1pc

2pcs

4pcs

4pcs

**I** Bolt  
M8x45mm

**J** Lock Washer  
M8x13mm

**K** Flat Washer  
M8x19mm

**L** Allen Key  
M5



1pc

9pcs

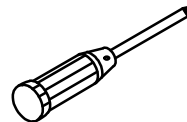
9pcs

1pc

**M** Wood Dowel  
Ø10x30mm

**N** Screw  
M4x45mm

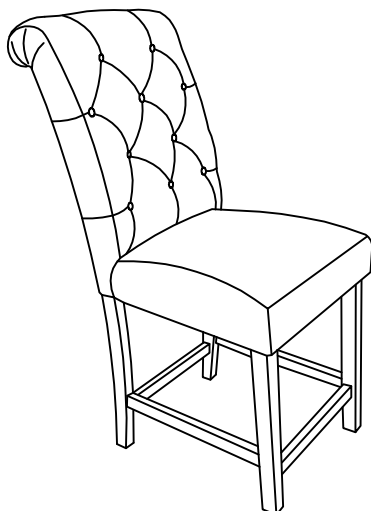
**O** Screwdriver  
(Not Provided)



2pcs

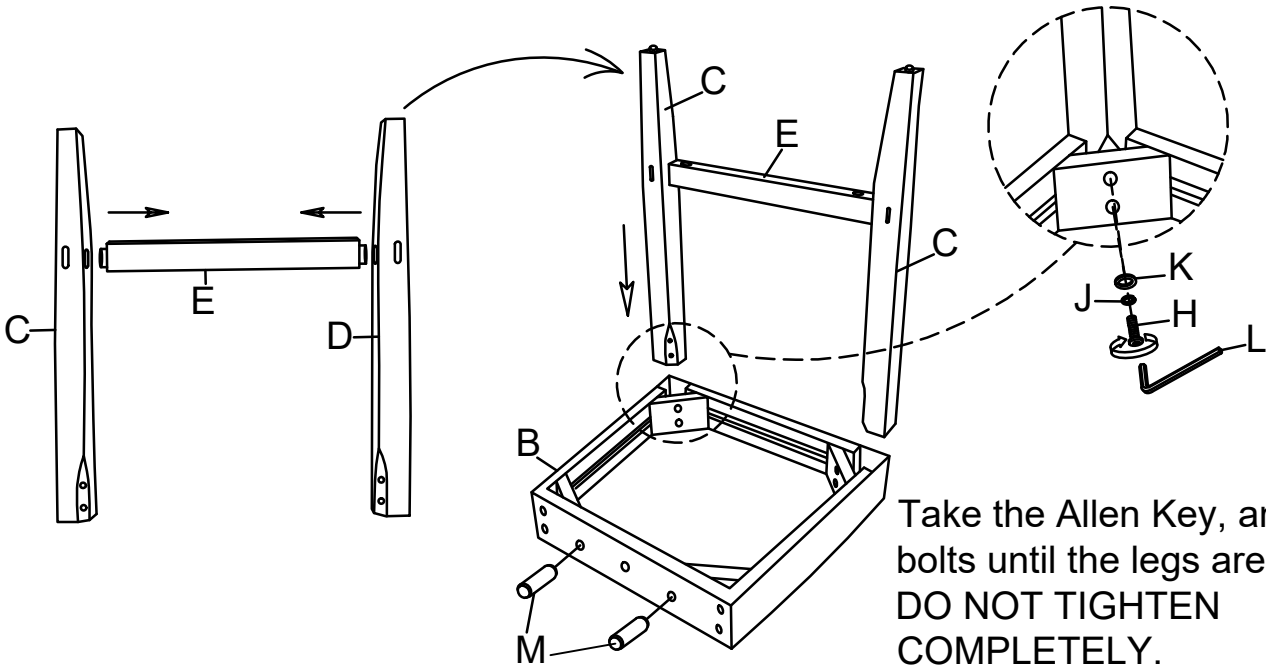
6pcs

1pc



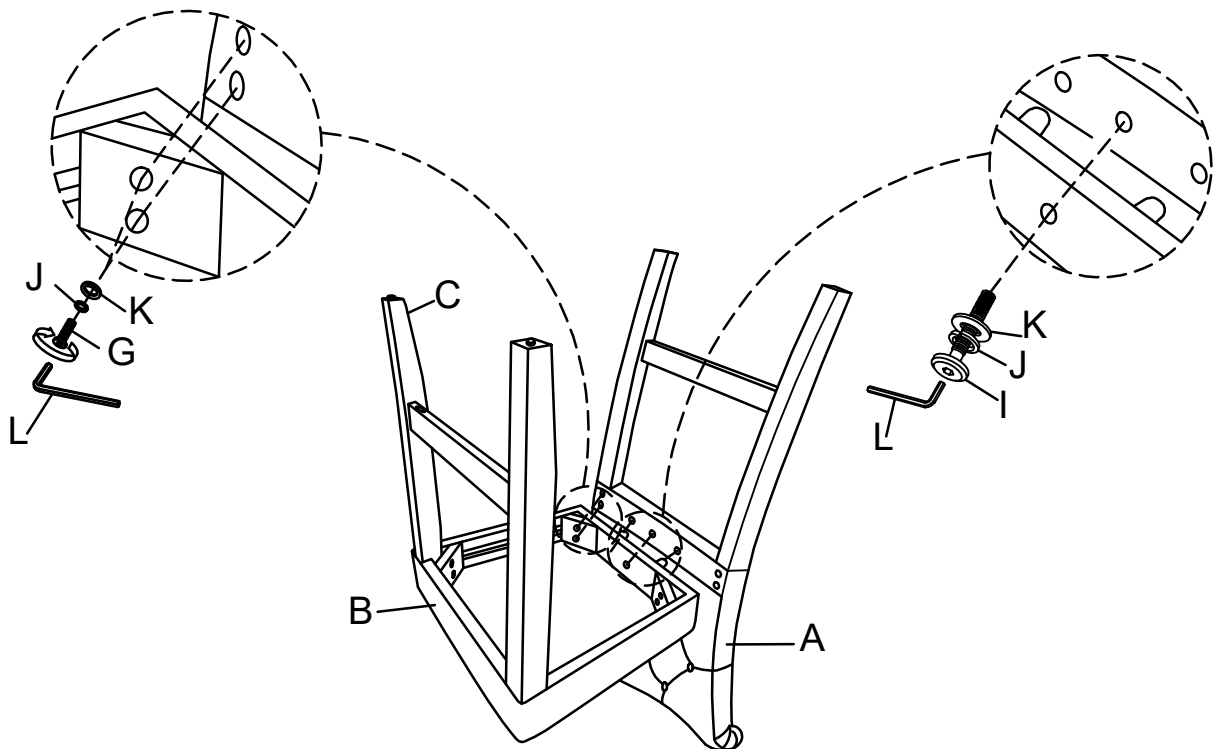
This page lists all the contents included in the box. Please take the time to identify the hardware as well as the individual components to this product. As you unpack and prepare for assembly, place the contents on a carpeted or padded area to protect them from damage.

- 1** Attach Front Stretcher (E) to Left Front Leg (C) and Right Front Leg (D), then attach Left Front Leg (C) & Right Front Leg to the Seat (B) using Bolt (H), Lock Washer (J) and Flat Washer (K) on both holes of Seat (B) by Allen Key (L). Turn the Allen Key (L) in Bolt (H). But not too tight. Attach Wood Dowel (M) to Seat (B).



Take the Allen Key, and turn the bolts until the legs are secure. **DO NOT TIGHTEN COMPLETELY.** Stop when you feel you are adding force to tighten the bolt.

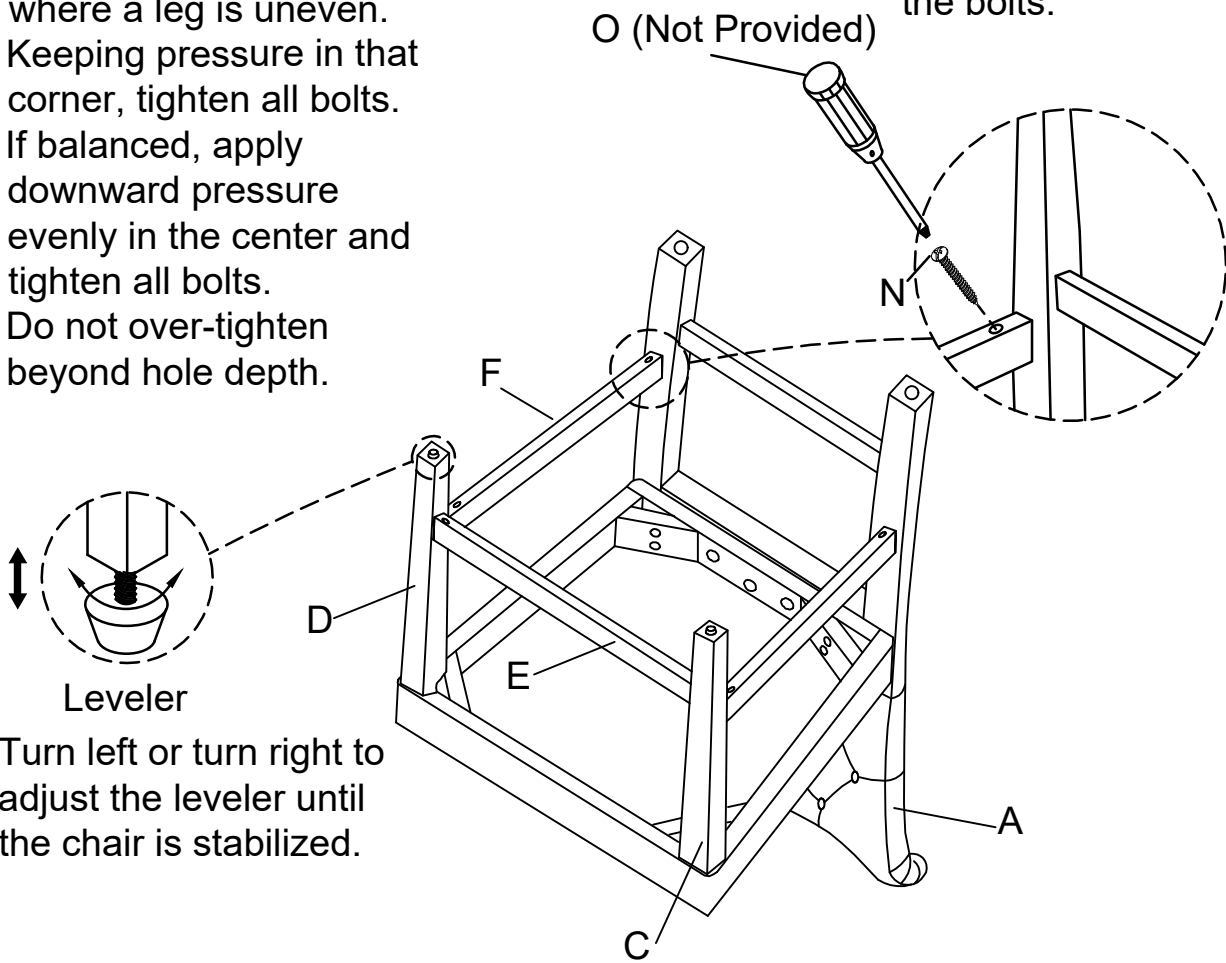
- 2** Put Chair Back (A) on a smooth flat surface, attach the Seat (B) to the Chair Back (A) using Bolt (G) & Bolt (I), Lock Washer (J), Flat Washer (K) in both holes of Seat (B) and Chair Back (A). Turn the Allen Key (L) in Bolt (G) & Bolt (I).



**3** Attach Side Stretcher (F) to Left Front Leg (C), Right Front Leg (D) & Chair Back (A), using Screw (N) by Screwdriver (O) to tighten all stretchers.

Stand chair up on an even surface and check that it is balanced. If there is a slight wobble, apply downward pressure in the corner where a leg is uneven. Keeping pressure in that corner, tighten all bolts. If balanced, apply downward pressure evenly in the center and tighten all bolts. Do not over-tighten beyond hole depth.

**Helpful Tip:**  
-Instead of applying downward pressure while reaching under to tighten bolts, have someone sit in the chair while you tighten the bolts.



**Cleaning & Care**

Treat surface with care. Surface is resistant to scratches but is not scratch resistant. Clean surfaces with a dry or damp soft cloth. Do not use abrasive cleaners. Hardware may loosen over time. Periodically check that all connections are tight.